



innovative  
enclosure solutions  
for industrial & electronic  
applications

# GENERAL CATALOGUE

Release 20



# BOXES

---

## WALL-MOUNTING BOXES AND TERMINAL BOXES

ST WALL-MOUNTING BOXES WITH BLANK DOOR

STP WALL-MOUNTING BOXES WITH PLEXI DOOR

ST/STP COMPLEMENTARY ACCESSORIES

SDV TERMINAL BOXES WITH SCREWED COVER

SDF TERMINAL BOXES WITH FLANGES

SDVX TERMINAL BOXES WITH PLEXI COVER

SDVX-B SYSTEM PLUS TERMINAL BOXES

SDP TERMINAL BOXES WITH DOOR

SD COMPLEMENTARY ACCESSORIES





Boxes

## ST and SD

## BOXES

### FEATURES

- 1 Wide range of dimensions: over 40 enclosures with plain door, 19 models with glazed door, enclosures with single plain door, double door with rod locking system and enclosure with single glazed door.
- 2 Mounting plate included.
- 3 Main accessories: plinth, internal door kit and modular chassis, wall-mounting brackets, door stop kit.
- 4 Optional accessories: micro perforated plates, louvered cable entry plates and pole mounting kit.
- 5 Terminal boxes in 5 different versions, with screwed cover, clear cover, for bus system, flanged, with hinged cover.
- 6 Rack enclosures from 3 to 21 units in 450 and 550 mm depths.
- 7 Protection rating for ST boxes: IP66 - Nema 4 (single blank door) Nema 12 (double blank door and plexi door) - IK10.
- 8 High quality epoxy-polyester powder finish. Colour RAL 7035.



**CHARACTERISTICS**

Enclosure and door manufactured from 1.5 mm thick sheet steel. Mounting plate manufactured from 2.5 mm thick sendzimir sheet steel.

**PAINT FINISH**

ETA standard epoxy polyester powder coating.  
Enclosure and door: colour RAL 7035 textured finish.

**SUPPLY**

- Box supplied with:
- door provided with locking system with  $\varnothing$  3mm double bar key and 2 zincpassivated rails to be fixed
  - mounting plate
  - cable entry plate with sealing gasket
  - screws for earth connection and mounting accessories.

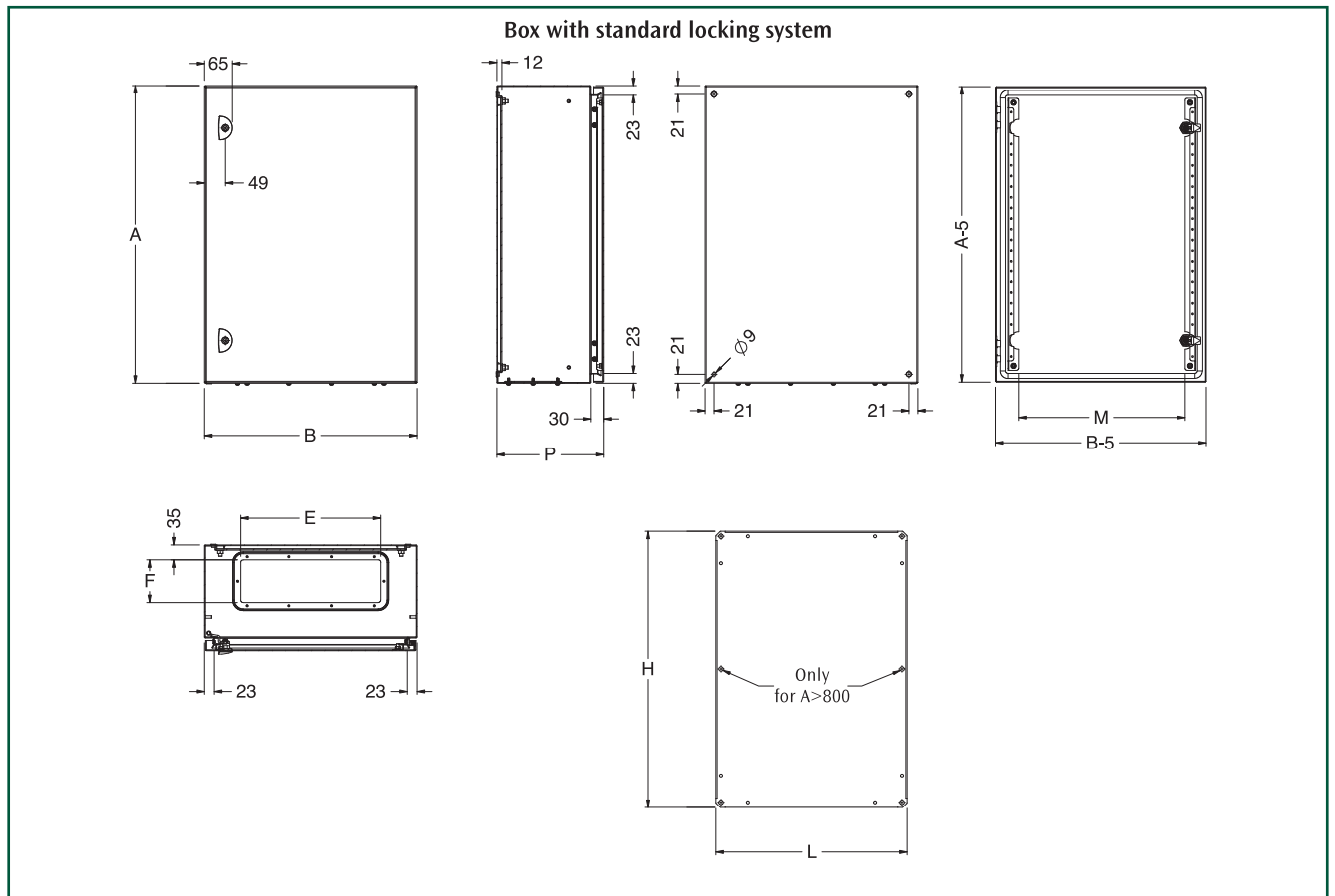
**PROTECTION RATING**

- IP66 complying with IEC EN62208; EN60529
- NEMA 4 complying with UL508A; UL50
- protection degree guaranteed by the two-component polyurethane foam seal
- impact resistance IK10 complying with IEC EN62208; EN62202.

**Note:** main accessories to be ordered separately:

- inner door, see page 164
- modular kit, see page 165
- brackets for wall mounting, see page 170.

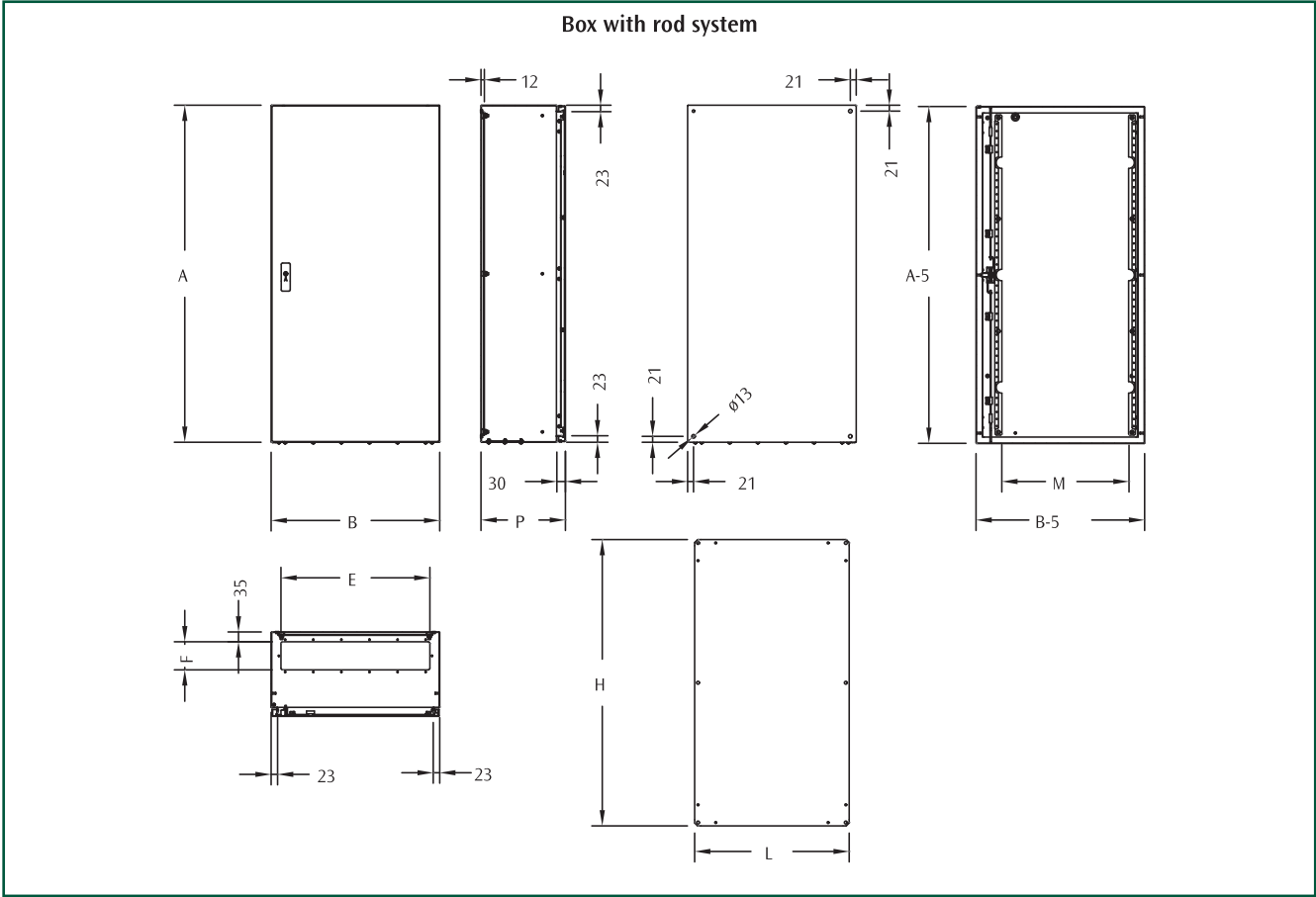
Boxes



## SINGLE DOOR BOX

ST CODE	BOX DIMENSIONS			CABLE ENTRY		DOOR SPACE	MOUNTING PLATE DIM.		NUMBER OF LOCKS
	B	A	P	E	F	M	L	H	
<b>200</b>									
ST2315	200	300	150	130	50	91	150	250	1
<b>300</b>									
ST3315	300	300	150	230	50	191	250	250	1
ST3415	300	400	150	230	50	191	250	350	1
ST3420	300	400	200	230	100	191	250	350	1
ST3515	300	500	150	230	50	191	250	450	1
ST3520	300	500	200	230	100	191	250	450	1
<b>400</b>									
ST4315	400	300	150	230	50	291	350	250	1
ST4320	400	300	200	330	100	291	350	250	1
ST4420	400	400	200	330	100	291	350	350	1
ST4515	400	500	150	230	50	291	350	450	1
ST4520	400	500	200	330	100	291	350	450	1
ST4525	400	500	250	330	100	291	350	450	1
ST4620	400	600	200	330	100	291	350	550	2
ST4625	400	600	250	330	100	291	350	550	2
ST4640	400	600	400	330	100	291	350	550	2
<b>500</b>									
ST5520	500	500	200	330	100	391	450	450	1
ST5720	500	700	200	330	100	391	450	650	2
ST5725	500	700	250	330	100	391	450	650	2
<b>600</b>									
ST6420	600	400	200	530	100	491	550	350	1
ST6430	600	400	300	530	100	491	550	350	1
ST6620	600	600	200	530	100	491	550	550	2
ST6630	600	600	300	530	100	491	550	550	2
ST6640	600	600	400	530	100	491	550	550	2
ST6820	600	800	200	530	100	491	550	750	2
ST6825	600	800	250	530	100	491	550	750	2
ST6830	600	800	300	530	100	491	550	750	2
ST6840	600	800	400	530	100	491	550	750	2
ST61025	600	1000	250	530	100	491	550	950	2
ST61030	600	1000	300	530	100	491	550	950	2
ST61040	600	1000	400	530	100	491	550	950	2
<b>800</b>									
ST8830	800	800	300	530	100	691	750	750	2
ST8840	800	800	400	530	100	691	750	750	2
ST81030	800	1000	300	530	100	691	750	950	2
ST81040	800	1000	400	530	100	691	750	950	2

Boxes



Boxes

<b>SINGLE DOOR BOX</b>									
ST CODE	BOX DIMENSIONS			CABLE ENTRY		DOOR SPACE	MOUNTING PLATE DIM.		TYPE OF LOCKS
	B	A	P	E	F	M	L	H	
<b>600</b>									
ST61230	600	1200	300	530	100	451	550	1150	ROD SYSTEM
<b>800</b>									
ST81230	800	1200	300	530	100	651	750	1150	ROD SYSTEM





\* Product ATEX: contact the ETA commercial office for STP boxes with tempered glass



**CHARACTERISTICS**

Enclosure manufactured from 1.5 mm thick sheet steel. Door provided with 4.0 mm transparent plexiglas sheet and manufactured from 1.5 mm thick sheet steel up to H=800 mm; for box H>800, door manufactured from 2.0 mm thick sheet steel. Mounting plate manufactured from 2.5 mm thick sendzimir sheet steel.

**PAINT FINISH**

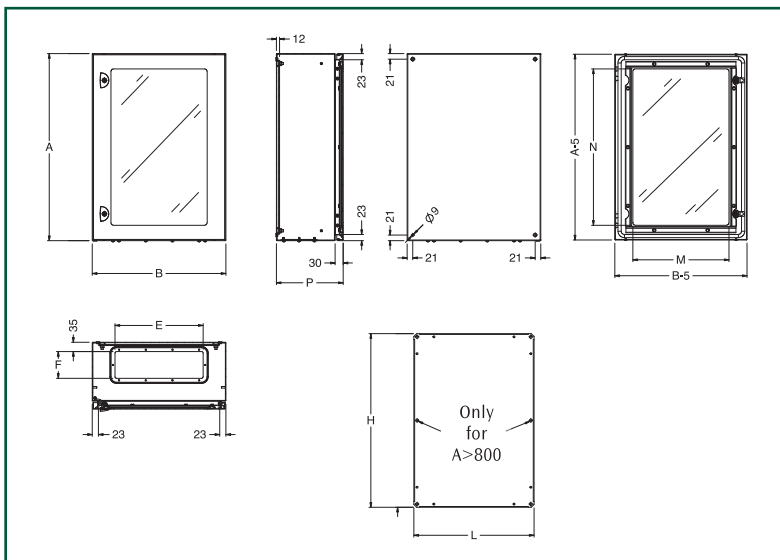
ETA standard epoxy polyester powder coating. Enclosure and door: colour RAL 7035 textured finish.

**SUPPLY**

- Box supplied with:
- door provided with locking system with  $\varnothing$  3 mm double bar key and 2 zincpassivated rails to be fixed
  - mounting plate
  - cable entry plate with sealing gasket
  - screws for earth connection and mounting accessories.

**PROTECTION RATING**

- IP66 complying with IEC EN62208; EN60529
- NEMA 12 complying with UL508A; UL50
- protection degree guaranteed by the two-component polyurethane foam seal
- impact resistance IK10 complying with IEC EN62208; EN62202.



Boxes

**BOXES WITH PLEXI DOOR**

STP CODE	BOX DIMENSIONS			CABLE ENTRY		DOOR SPACE		M. PLATE DIM.		NO. OF LOCKS / TYPE
	B	A	P	E	F	M	N	L	H	
STP4320	400	300	200	330	100	255	180	350	250	1
STP4420	400	400	200	330	100	255	280	350	350	1
STP4520	400	500	200	330	100	255	380	350	450	1
STP4525	400	500	250	330	100	255	380	350	450	1
STP4620	400	600	200	330	100	255	480	350	550	2
STP4625	400	600	250	330	100	255	480	350	550	2
STP5720	500	700	200	330	100	355	580	450	650	2
STP5725	500	700	250	330	100	355	580	450	650	2
STP6420	600	400	200	530	100	455	280	550	350	1
STP6430	600	400	300	530	100	455	280	550	350	1
STP6620	600	600	200	530	100	455	480	550	550	2
STP6630	600	600	300	530	100	455	480	550	550	2
STP6825	600	800	250	530	100	455	680	550	750	2
STP6830	600	800	300	530	100	455	680	550	750	2
STP61025	600	1000	250	530	100	455	880	550	950	2
STP61030	600	1000	300	530	100	455	880	550	950	2
STP61230	600	1200	300	530	100	415	1080	550	1150	ROD SYSTEM
STP81030	800	1000	300	530	100	655	880	750	950	2
STP81230	800	1200	300	530	100	615	1080	750	1150	ROD SYSTEM



### CHARACTERISTICS

Enclosure and door manufactured from 1.5 mm thick sheet steel. Mounting plate with folded edges manufactured from 2.5 mm thick sendzimir sheet steel.

### PAINT FINISH

ETA standard epoxy polyester powder coating.  
Enclosure and door: colour RAL 7035 textured finish.

### SUPPLY

Box supplied with:

- doors provided with locking system with  $\varnothing$  3 mm double bar key and 4 zincpassivated rails to be fixed
- mounting plate
- 2 cable entry plates with sealing gasket
- screws for earth connection and mounting accessories.

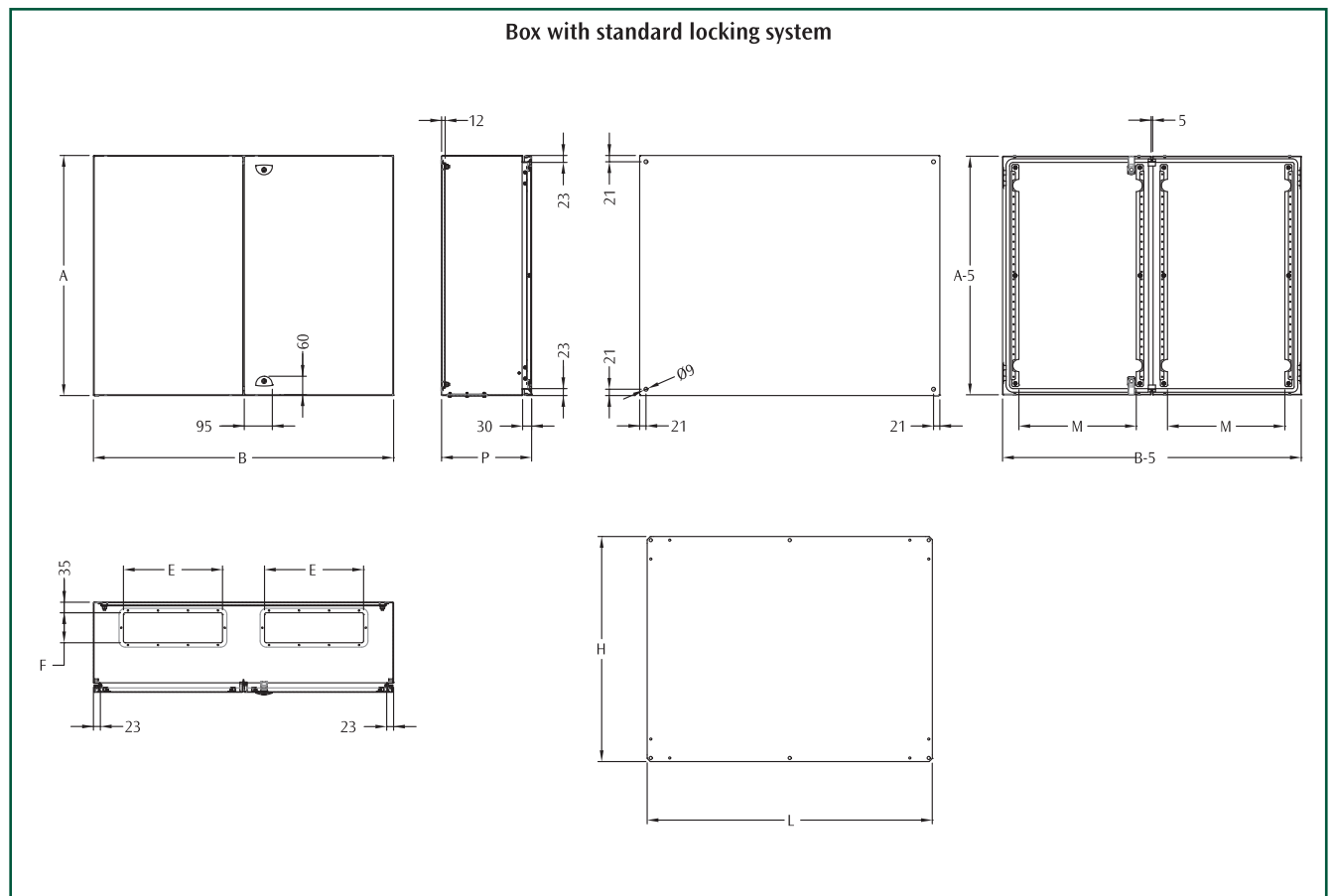
### PROTECTION RATING

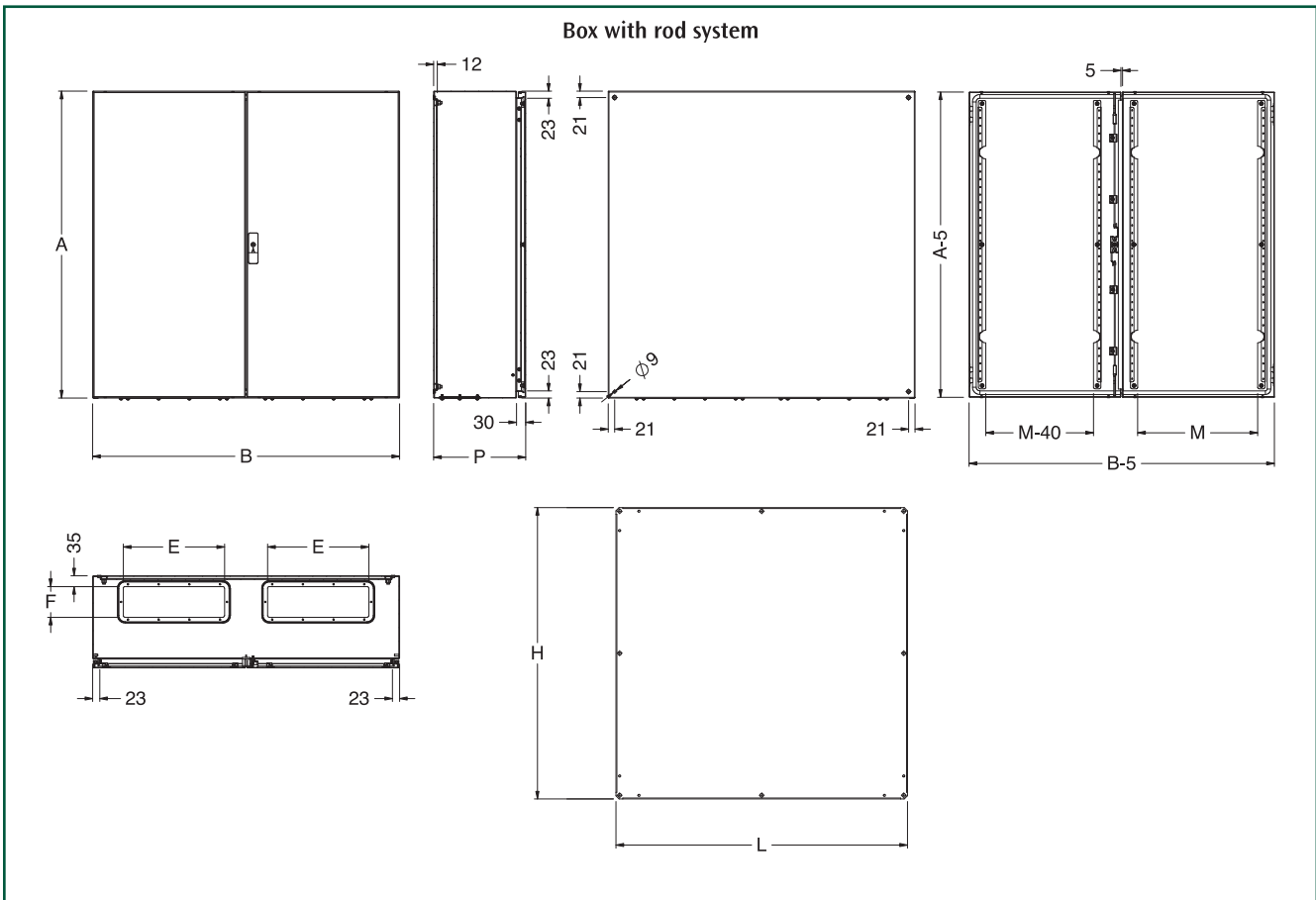
- IP66 complying with IEC EN62208; EN60529
- NEMA 12 complying with UL508A; UL50
- protection degree guaranteed by the two-component polyurethane foam seal
- impact resistance IK10 complying with IEC EN62208; EN62202.

**Note:** main accessories to be ordered separately:  
• brackets for wall mounting, see page 170.

Boxes

Box with standard locking system





Boxes

### DOUBLE DOOR BOXES

ST CODE	BOX DIMENSIONS			CABLE ENTRY		NO. CABLE ENTRY	DOOR SPACE M	MOUNT. PLATE DIM.		NO. OF LOCKS / TYPE
	B	A	P	E	F			L	H	
ST8630	800	600	300	530	100	1	291	750	550	2
ST10820	1000	800	200	330	100	2	391	950	750	2
ST10830	1000	800	300	330	100	2	391	950	750	2
ST101030	1000	1000	300	330	100	2	391	950	950	ROD SYSTEM
ST101230	1000	1200	300	330	100	2	391	950	1150	ROD SYSTEM
ST121230	1200	1200	300	330	100	2	491	1150	1150	ROD SYSTEM



**INNER DOOR STP01**

**CHARACTERISTICS**

Frame and door manufactured from 1.5 mm thick sheet steel.

**PAINT FINISH**

ETA standard epoxy polyester powder coating. Colour RAL 7035 textured finish.

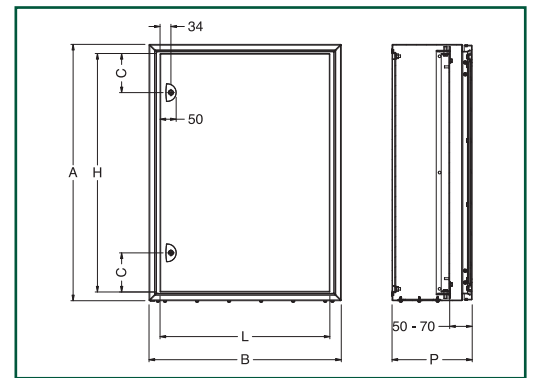
**SUPPLY**

Includes:

- frame
- door with  $\varnothing$  3 mm double bar key locking system
- mounting accessories.

**PROTECTION RATING**

- external: as box (IP66)
- internal: IP2X.



Boxes

**INNER DOOR**

STP01 CODE	BOX CODE		BOX DIMENSIONS			DOOR DIMENSIONS			NUMBER OF LOCKS
	ST	STP	B	A	P	L	H	C	
STP0145	ST4520	STP4520	400	500	200	330	444	222	1
STP0145	ST4525	STP4525	400	500	250	330	444	222	1
STP0146	ST4620	STP4620	400	600	200	330	544	272	1
STP0146	ST4625	STP4625	400	600	250	330	544	272	1
STP0157	ST5720	STP5720	500	700	200	430	644	322	1
STP0157	ST5725	STP5725	500	700	250	430	644	322	1
STP0164	ST6420	STP6420	600	400	200	530	344	172	1
STP0164	ST6430	STP6430	600	400	300	530	344	172	1
STP0168	ST6825	STP6825	600	800	250	530	744	122	2
STP0168	ST6830	STP6830	600	800	300	530	744	122	2
STP01610	ST61025	STP61025	600	1000	250	530	944	122	2
STP01610	ST61030	STP61030	600	1000	300	530	944	122	2
STP01612	ST61230	STP61230	600	1200	300	530	1144	122	2
STP01810	ST81030	STP81030	800	1000	300	730	944	122	2
STP01812	ST81230	STP81230	800	1200	300	730	1144	122	2

## MODULAR KIT MDST

### CHARACTERISTICS

Frame and front panels manufactured from 1.5 mm thick sheet steel.

### PAINT FINISH

ETA standard epoxy polyester powder coating.  
Colour: RAL 7035 textured finish.

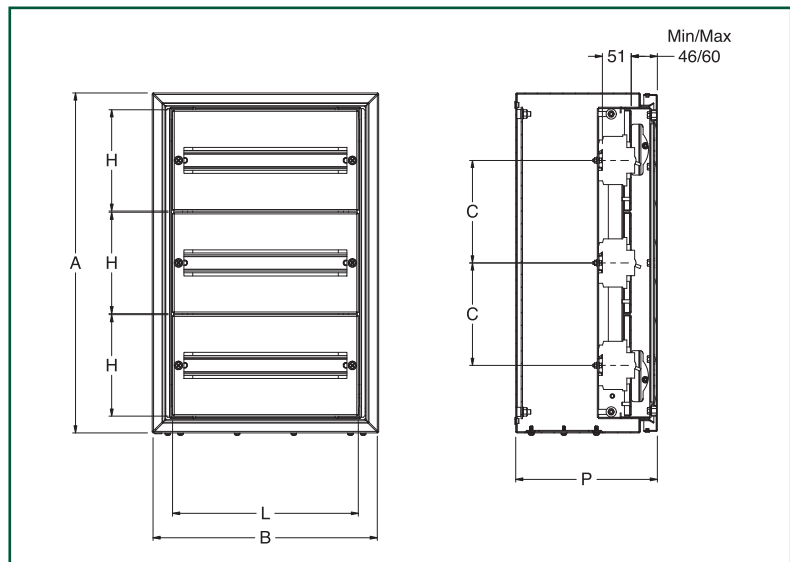
### SUPPLY

Includes:

- frame
- front panel with modular slot complete with mounting accessories and captive screws
- zincpassivated DIN rail (for each window)
- mounting accessories.

### PROTECTION RATING

External: as box (IP66).



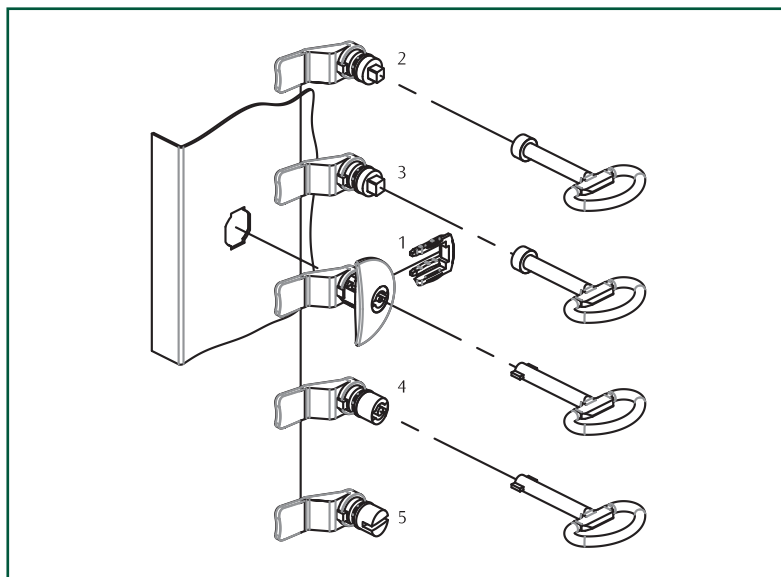
Boxes

## MODULAR KIT

MDST CODE	BOX CODE		BOX DIMENSIONS			PANEL DIMENSIONS			MODULES 18 MM	NO. OF PANELS
	ST	STP	B	A	P	L	H	C		
MDST4300	ST4320	STP4320	400	300	200	328	241	-	1x16	1
MDST4400	ST4420	STP4420	400	400	200	328	341	150	2x16	1
MDST4500	ST4520	STP4520	400	500	200	328	441	150	3x16	1
MDST4500	ST4525	STP4525	400	500	250	328	441	150	3x16	1
MDST4600	ST4620	STP4620	400	600	200	328	179	181	3x16	3*
MDST4600	ST4625	STP4625	400	600	250	328	179	181	3x16	3*
MDST6600	ST6620	STP6620	600	600	200	528	179	181	3x26	3**
MDST6600	ST6630	STP6630	600	600	300	528	179	181	3x26	3**
MDST6800	ST6825	STP6825	600	800	250	528	179	181	4x26	4**
MDST6800	ST6830	STP6830	600	800	300	528	179	181	4x26	4**
MDST61000	ST61025	STP61025	600	1000	250	528	179	181	5x26	5**
MDST61000	ST61030	STP61030	600	1000	300	528	179	181	5x26	5**
MDST61200	ST61230	STP61230	600	1200	300	528	179	181	6x26	6**

\* Available on request the blank frontal panel MDST4200

\*\* Available on request the blank frontal panel MDST6200



### FAST ASSEMBLY LOCKING SYSTEMS

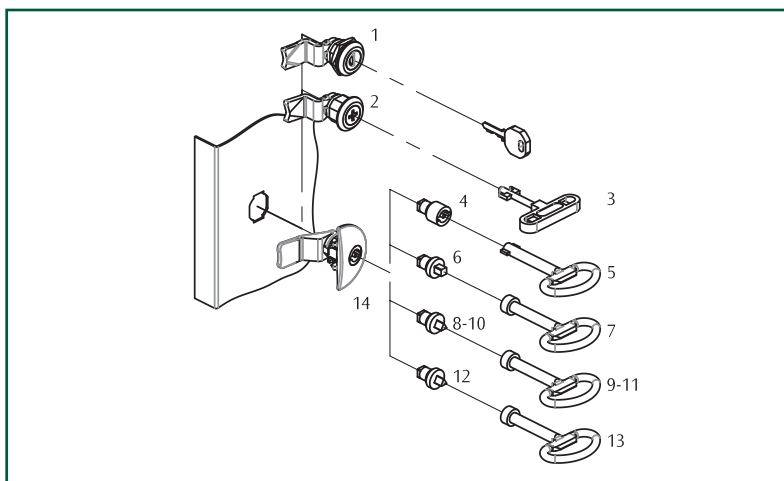
KEY CODE	INSERT CODE	REF.	DESCRIPTION
WE160	WE250	1	FAST ASSEMBLY LOCKING SYSTEM WITH ETA INSERT Ø 3 MM
WE200	WE300	2	FAST ASSEMBLY SQUARE INSERT $\sphericalangle$ 7 MM
WE165	WE305	3	FAST ASSEMBLY SQUARE INSERT $\sphericalangle$ 8 MM
WE170	WE310	4	FAST ASSEMBLY DOUBLE BAR INSERT Ø 5 MM
-	WE315	5	FAST ASSEMBLY SCREW DRIVER INSERT

Boxes

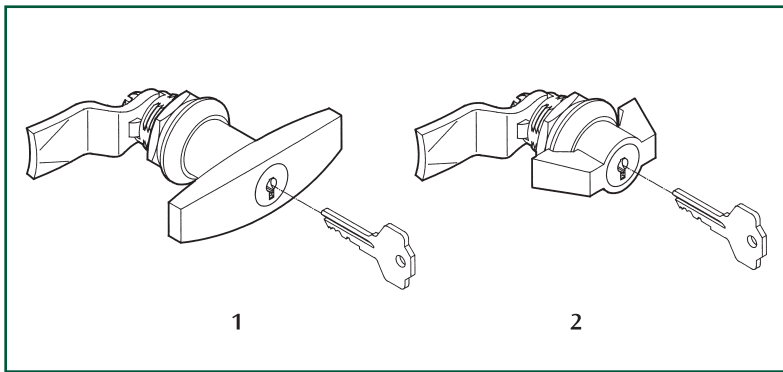


### ALTERNATIVE LOCKING SYSTEMS

WE CODE	REF.	DESCRIPTION
*WE235	1	VIRO INSERT
*WE240	2	FIAT INSERT
WE210	3	FIAT KEY
WE255	4	ETA INSERT Ø 3 MM
WE160	5	ETA KEY Ø 3 MM
WE260	6	INSERT $\sphericalangle$ 6 MM
WE263	7	KEY $\sphericalangle$ 6 MM
WE265	8	INSERT $\sphericalangle$ 7 MM
WE268	9	KEY $\sphericalangle$ 7 MM
WE270	10	INSERT $\sphericalangle$ 6,5 MM
WE273	11	KEY $\sphericalangle$ 6,5 MM
WE275	12	INSERT $\sphericalangle$ 8 MM
WE278	13	KEY $\sphericalangle$ 8 MM
WE250V	14	LOCKING SYSTEM WITHOUT INSERT



\* With cam and locking cover



## TT CANOPY

### CHARACTERISTICS

Manufactured from 1.5 mm thick sheet steel.

### SUPPLY

Includes 1 piece with mounting accessories.

### PAINT FINISH

ETA standard epoxy polyester powder coating.  
Colour: RAL 7035 textured finish.

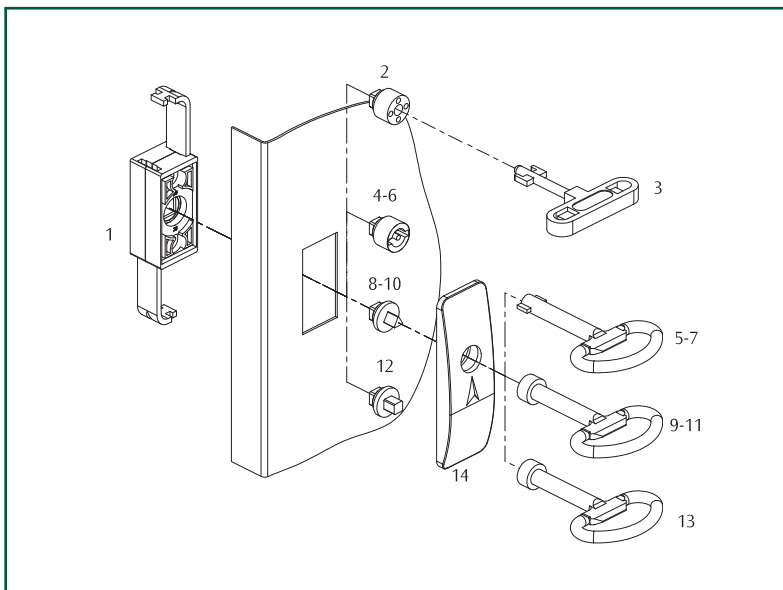
## LOCKING SYSTEMS

WE CODE	REF.	DESCRIPTION
WE285	1	T HANDLE WITH KEYLOCK
WE288	2	WING HANDLE WITH KEYLOCK

Note: for outdoor applications, it is recommended to have a special polyester painting that is more suitable for external applications.



Note: padlocking handle available on request.



Boxes

## LOCKING SYSTEMS FOR DOUBLE DOOR BOXES WITH ROD MECHANISM

WE CODE	REF.	DESCRIPTION
WE010	1	ROD DRIVE
WE080	2	FIAT INSERT
WE210	3	FIAT KEY
WE030	4	ETA INSERT Ø 3 MM
WE160	5	ETA KEY Ø 3 MM
WE040	6	ETA INSERT Ø 5 MM
WE170	7	ETA KEY Ø 5 MM
WE050	8	INSERT $\nabla$ 7 MM
WE180	9	KEY $\nabla$ 7 MM
WE060	10	INSERT $\nabla$ 8 MM
WE190	11	KEY $\nabla$ 8 MM
WE070	12	INSERT $\nabla$ 7 MM
WE200	13	KEY $\nabla$ 7 MM
WE020	14	ETA COVER

## CANOPY TT

TT CODE	WIDTH	DEPTH
TT104	400	200
TT204	400	250
TT105	500	200
TT205	500	250
TT106	600	250
TT206	600	300
TT208	800	300

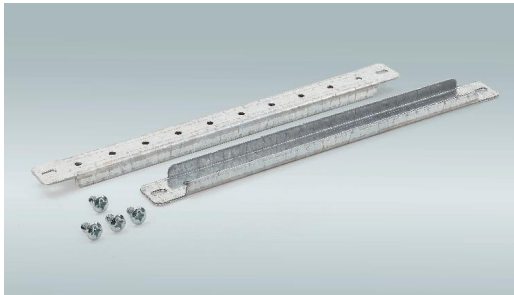
## HORIZONTAL DOOR RAIL WC

### CHARACTERISTICS

Manufactured from 1.5 mm thick sendzimir sheet steel with 2.5 mm pitch drilling and  $\varnothing$  4,2 holes to be fixed on door profiles and used to fix cable or trunking.

### SUPPLY

Includes 1 piece with mounting accessories.



RAIL	
WC CODE	DOOR WIDTH
WC001	300
WC002	400
WC003	500
WC004	600
WC005	800

**Note:** codes valid for one or two standard locking points.



RAIL	
WC CODE	DOOR WIDTH
WC001C	300
WC002C	400
WC003C	500
WC004C	600
WC005C	800

**Note:** codes valid for boxes with rod system.

## MOUNTING PLATE REGULATOR WA

It allows the mounting plate to be positioned at different depths.

### CHARACTERISTICS

Manufactured from 2.0 mm thick zincpassivated sheet steel.

### SUPPLY

Includes 2 pieces.

**Note:** order 2 packages for boxes  $H \leq 800$  mm  
order 3 packages for boxes  $H > 800$  mm single door.



MOUNTING PLATE REGULATOR	
WA CODE	BOX DEPTH
WA980	200
WA981	250
WA982	300

## DOOR STOP WA060

To be used to hold the door open at 90° avoiding accidental closing. Machining required.

### CHARACTERISTICS

Manufactured from 2.0 mm and 3.0 mm thick zincpassivated sheet steel.

### SUPPLY

Includes: single piece with mounting accessories and gasket for IP66.



Boxes



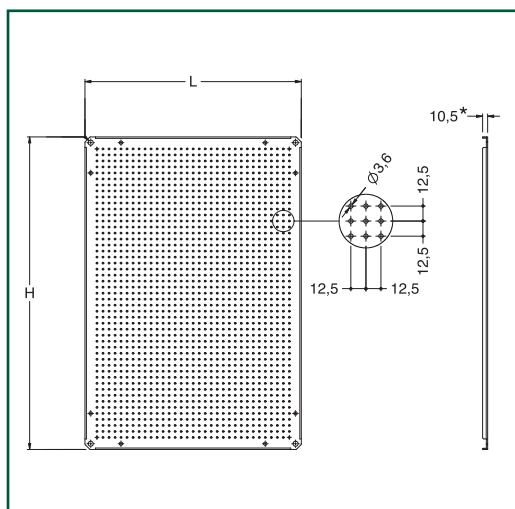
## MICROPERFORATED MOUNTING PLATES WPAZ - F

The microperforated mounting plate WPAZ - F is assembled with the same procedure as the standard mounting plates.

### CHARACTERISTICS

Manufactured from 2.5 mm thick sendzimir sheet steel.

**Note:** available upon request.



\* Plate with raised edges starting from enclosure size 500x700

## MICROPERFORATED MOUNT. PLATES

WPAZ CODE	BOX DIM.		M. PLATE DIM.	
	B	A	L	H
WPAZ-ST23F	200	300	150	250
WPAZ-ST33F	300	300	250	250
WPAZ-ST35F	300	500	250	450
WPAZ-ST43F	400	300	350	250
WPAZ-ST44F	400	400	350	350
WPAZ-ST45F	400	500	350	450
WPAZ-ST46F	400	600	350	550
WPAZ-ST55F	500	500	450	450
WPAZ-ST57F	500	700	450	650
WPAZ-ST64F	600	400	550	350
WPAZ-ST66F	600	600	550	550
WPAZ-ST68F	600	800	550	750
WPAZ-ST610F	600	1000	550	950
WPAZ-ST612F	600	1200	550	1150
WPAZ-ST88F	800	800	750	750
WPAZ-ST810F	800	1000	750	950
WPAZ-ST812F	800	1200	750	1150
WPAZ-ST1010F	1000	1000	950	950
WPAZ-ST1012F	1000	1200	950	1150
WPAZ-ST1212F	1200	1200	1150	1150

## POLE MOUNTING KIT FPST-001

To fix the box to a pole with round or rectangular section.

### CHARACTERISTICS

Rail manufactured from galvanized sheet steel and clamp collar.

### SUPPLY

Includes 2 rails and 2 clamps with mounting accessories.



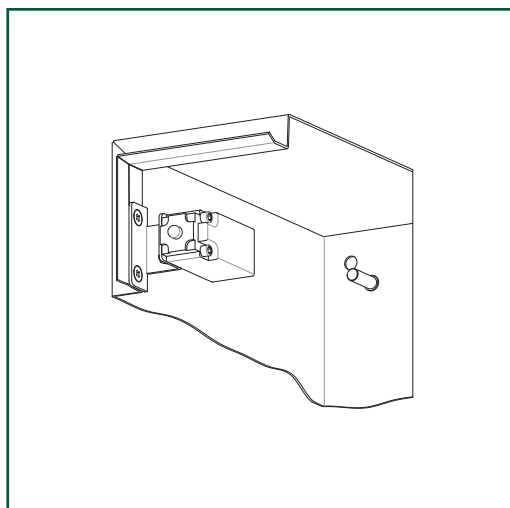
## FIXING BRACKETS FOR MICRO-SWITCH WI100ST

### CHARACTERISTICS

Manufactured from sendzimir sheet steel for fastening the micro-switch WI100 inside the ST boxes.

### SUPPLY

Includes 1 piece with mounting accessories.



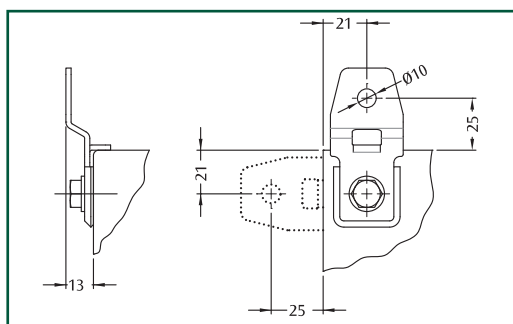
## WALL MOUNTING BRACKETS SDWC-010

### CHARACTERISTICS

Manufactured from 2.5 mm thick zincpassivated sheet steel.

### SUPPLY

Includes 4 pieces.



## CABLE ENTRY GLAND PLATE WC - B

### CHARACTERISTICS

Manufactured from 1.5 mm thick sheet steel.

### PAINT FINISH

ETA standard epoxy polyester powder coating.  
Colour: RAL 7035 textured finish

### SUPPLY

Includes 1 piece with sealing gasket and mounting accessories.



### CABLE ENTRY GLAND PLATE

WC CODE	PLATE DIMENSIONS
WC016B	158 x 78
WC018B	258 x 78
WC019B	258 x 128
WC020B	358 x 128
WC022B	558 x 128

## LOUVERED CABLE ENTRY PLATES WC - A

### CHARACTERISTICS

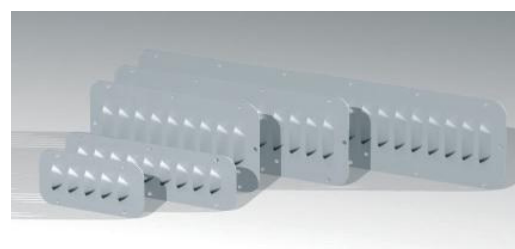
Manufactured from 1.5 mm thick sheet steel.

### PAINT FINISH

ETA standard epoxy polyester powder coating.  
Colour: RAL 7035 textured finish.

### SUPPLY

Includes 1 piece complete with seals and mounting accessories.



### LOUVERED CABLE ENTRY PLATES

WC CODE	PLATE DIMENSIONS
WC016A	158 x 78
WC018A	258 x 78
WC019A	258 x 128
WC020A	358 x 128
WC022A	558 x 128

**Note:** available on request

## PUNCHED CABLE ENTRY PLATES WC - FL

### CHARACTERISTICS

Manufactured from 1.5 mm thick sheet steel.

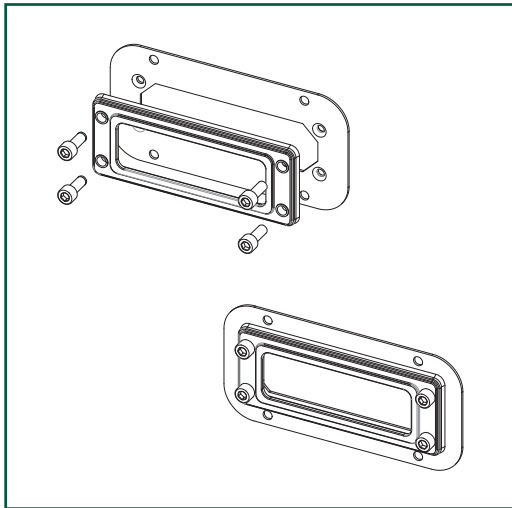
### PAINT FINISH

ETA standard epoxy polyester powder coating.  
Colour: RAL 7035 textured finish.

### SUPPLY

Includes 1 piece with gasket, screws for FL frame and mounting accessories.

**Note:** it is available the package with 5 pieces, complete with gaskets, screws for the FL frame and mounting accessories; in this case add suffix "5" to the code (i.e.: WC016FL5).



### PUNCHED CABLE ENTRY PLATES

WC CODE	PLATE DIM.	NO. OF HOLES	HOLE DIM.
WC016FL	158 x 78	1 per FL13	118 x 30
WC018FL	258 x 78	1 per FL13	118 x 30
WC019FL	258 x 128	1 per FL21	196 x 62
WC020FL	358 x 128	1 per FL21	196 x 62
WC022FL	558 x 128	2 per FL21	196 x 62



## FL13 AND FL21 FRAMES

### CHARACTERISTICS

In reinforced fiberglass, polypropylene and thermoplastic halogen-free elastomers. UL approved materials.

Colour: RAL 7035.

### PROTECTION RATING

IP65.

### TEMPERATURE RESISTANCE

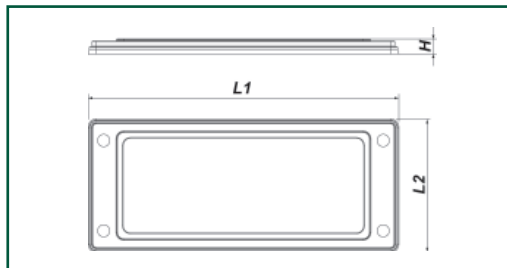
-20°C +125°C.

### TEST

EN60529  
EN60670-1, EN50262.

### SUPPLY

Includes 10 pieces.



### FRAMES

CODE	DESCRIPTION	L1	L2	H
WC2665404	FL13 FRAME	134	52	6,5
WC2665400	FL21 FRAME	214	90	9

Boxes

## INSERTS FOR FL13 AND FL21 FRAMES

### CHARACTERISTICS

In reinforced fiberglass, polypropylene and thermoplastic halogen-free elastomers. UL approved materials.

Colour: RAL 7035.

### PROTECTION RATING

IP65.

### TEMPERATURE RESISTANCE

-20°C +125°C.

### TEST

EN60529,  
EN60670, EN50262.

### SUPPLY

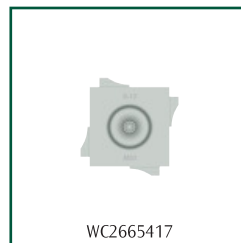
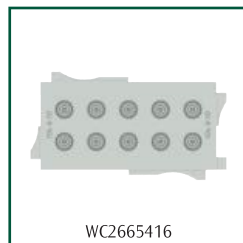
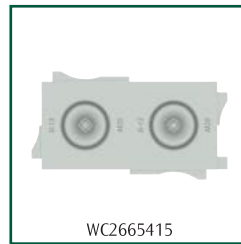
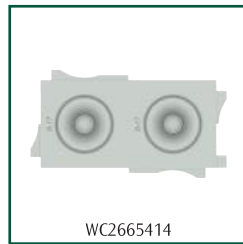
Includes 10 pieces.

### CABLE INSTALLATION

Pushing the cable through the membrane until the membrane allows its passage or remove a part of the membrane before installing the cable with a tinier cable or with a screwdriver.

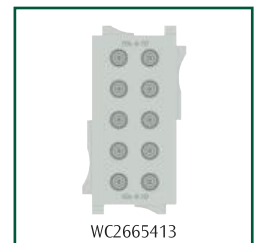
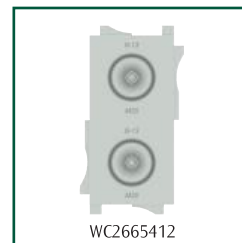
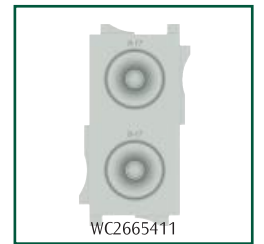
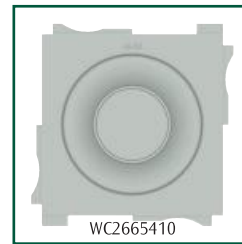
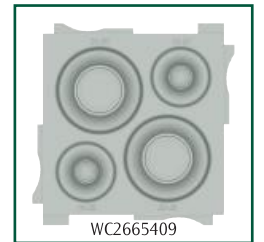
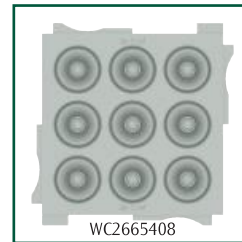
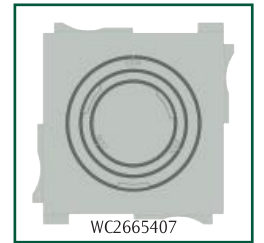
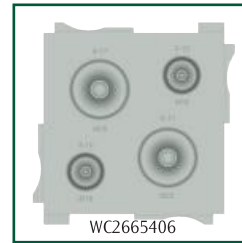
## INSERTS FOR FL13 FRAME

CODE	DESCRIPTION	FOR CABLE Ø MM
WC2665414	34 x 68, 2 x 8-17	8-17
WC2665415	34 x 68, 2 x M20	6-13
WC2665416	34 x 68, 10 x 4-10 MM	4-10
WC2665417	34 x 34, 1 x M20	6-13



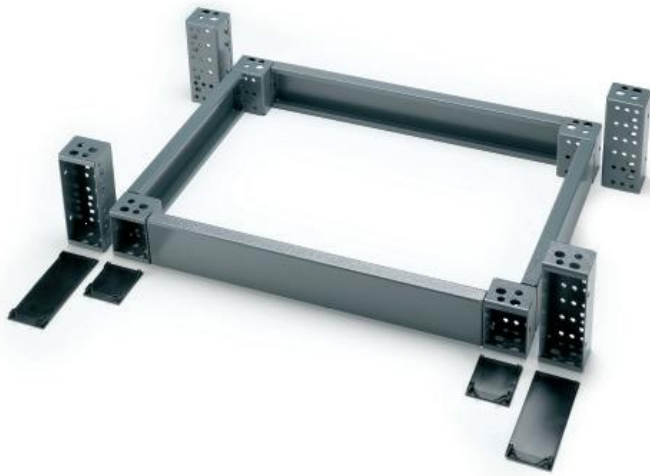
## INSERTS FOR FL21 FRAME

CODE	DESCRIPTION	FOR CABLE Ø MM
WC2665406	68 x 68, 2 x M25 + 2 x M16	8-17, 5-10
WC2665407	68 x 68, KNOCKOUT M50, M40, M32	-
WC2665408	68 x 68, 9 x 7-14 MM	7-14
WC2665409	68 x 68, 2 x 20-30 MM + 2 x 10-20 MM	20-30, 10-20
WC2665410	68 x 68, 30-50 MM	30-50
WC2665411	68 x 34, 2 x 8-17 MM	8-17
WC2665412	68 x 34, 2 x M20	6-13
WC2665413	68 x 34, 10 x 4-10 MM	4-10



Boxes

∞



## MODULAR PLINTH ATZE

### CHARACTERISTICS

Corner pieces manufactured from 2.5 mm thick press bent sheet steel, with PVC front covers caps. Front and side crosspieces manufactured from 2.0 mm thick press bent sheet steel.

### PAINT FINISH

ETA standard epoxy polyester powder coating.  
Colour: RAL 7025 textured finish.

### SUPPLY

The modular plinth is made up of:

- corner pieces: supply includes 4 pieces complete with front covers and mounting hardware
- front crosspieces: supply includes 2 pieces
- side crosspieces: supply includes 2 pieces.

## UNIVERSAL CORNER PIECES

ATZE CODE	DESCRIPTION
ATZE-A100	CORNER PIECES FOR PLINTH H=100
ATZE-A200	CORNER PIECES FOR PLINTH H=200

**Note:** supply includes 4 pieces with mounting accessories.

## FRONT CROSSPIECES

ATZE CODE	DESCRIPTION	CROSS. LENGTH MM
ATZE-T0600	PLINTH CROSSPIECES W=600	444
ATZE-T0800	PLINTH CROSSPIECES W=800	644
ATZE-T1000	PLINTH CROSSPIECES W=1000	844
ATZE-T1200	PLINTH CROSSPIECES W=1200	1044

**Note:** supply includes 2 pieces.

**Note:** to order the front and side crosspieces H=200, add the suffix "D" to the code. (i.e.: ATZE-T0600D).

## SIDE CROSSPIECES FOR SP / STP

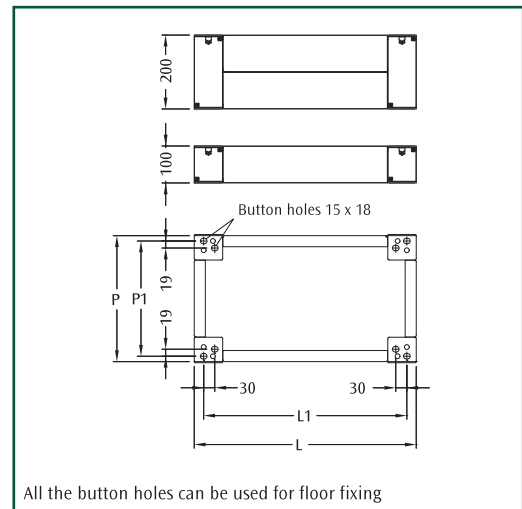
ATZE CODE	DESCRIPTION	CROSS. LENGTH MM
ATZE-T0300S	PLINTH CROSSPIECES D=300	136
ATZE-T0400A	PLINTH CROSSPIECES D=400	236

**Note:** supply includes 2 pieces.

**Note:** to order the front and side crosspieces H=200, add the suffix "D" to the code. (i.e.: ATZE-T0300SD).

## DIMENSIONAL SPECIFICATIONS

BOX DIMENSIONS		PLINTH DIM.		CENT. DISTANCES	
L	P	L	P	L1	P1
600	300	600	270	549	241
600	400	600	370	549	341
800	300	800	270	749	241
800	400	800	370	749	341
1000	300	1000	270	949	241
1200	300	1200	270	1149	241



All the button holes can be used for floor fixing

**Note:** to assemble the plinth on ST Boxes, the base requires holes punching.

Boxes

**CHARACTERISTICS**

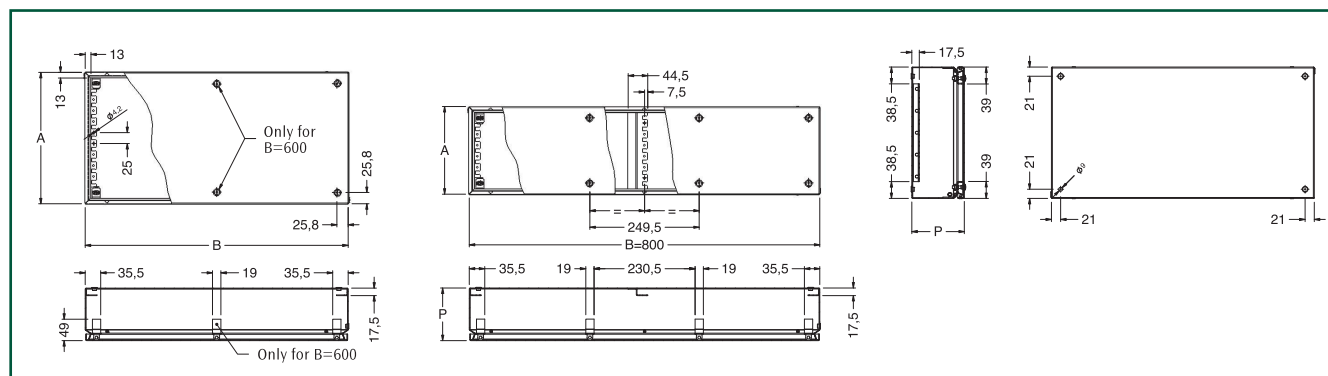
Box and lid manufactured from 1.2 mm thick sheet steel. Box provided with holes for fixing optional hinges and lid fixed with captive screws.

**PAINT FINISH**

ETA standard epoxy polyester powder coating.  
Colour: RAL 7035 textured finish.

**PROTECTION RATING**

- IP66 complying with IEC EN62208; EN60529
- NEMA 4 complying with UL508A; UL50
- protection degree guaranteed by the two-component polyurethane foam seal
- impact resistance IK10 complying with IEC EN62208; EN62202.



Boxes

**TERMINAL BOXES**

SDV CODE	DIMENSIONS		
	B	A	P
SDV1108	150	150	80
SDV2208	200	200	80
SDV3208	300	200	80
SDV4208	400	200	80
SDV5208	500	200	80
SDV6208	600	200	80
SDV8208	800	200	80
SDV1112	150	150	120
SDV2212	200	200	120
SDV3112	300	150	120
SDV3212	300	200	120
SDV3312	300	300	120
SDV4212	400	200	120
SDV4312	400	300	120
SDV4412	400	400	120
SDV5212	500	200	120
SDV5312	500	300	120
SDV6212	600	200	120
SDV6312	600	300	120
SDV6412	600	400	120
SDV8212	800	200	120
SDV8412	800	400	120

Note: to be ordered separately: mounting plate and/or DIN rails (refer to page 179).



**CHARACTERISTICS**

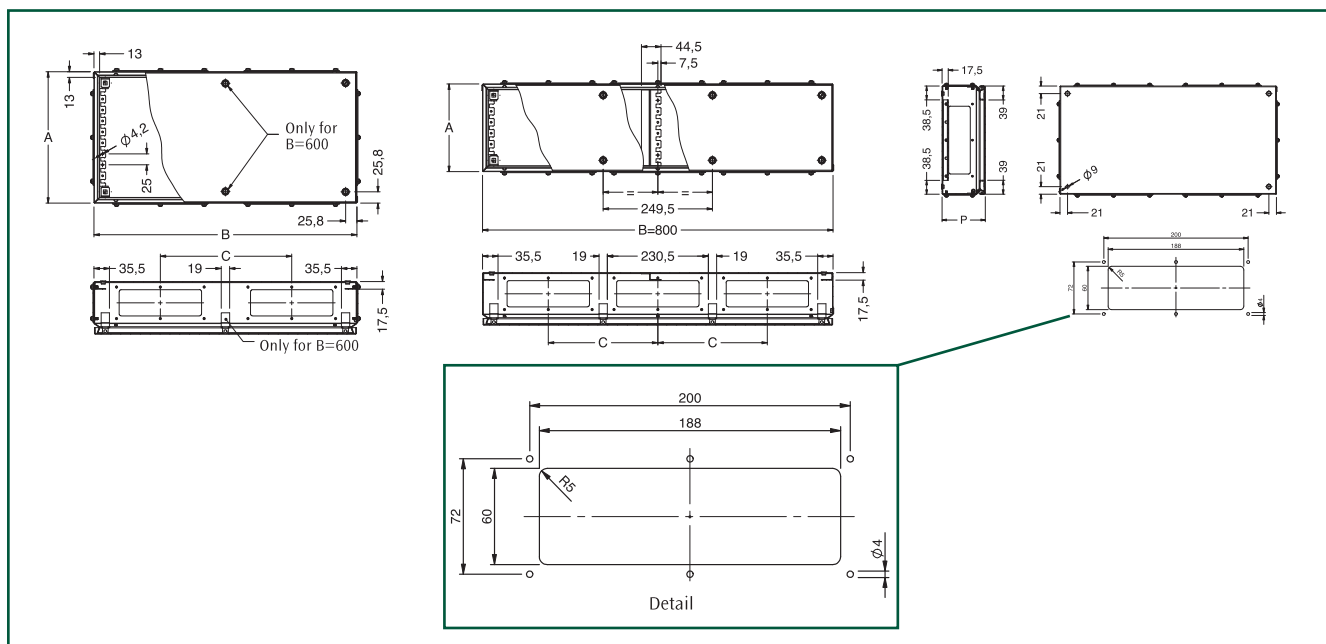
Box and lid manufactured from 1.2 mm thick sheet steel. Box provided with holes for fixing hinges and gland plates complete with gasket; lid fixed with captive screws.

**PAINT FINISH**

ETA standard epoxy polyester powder coating. Colour: RAL 7035 textured finish.

**PROTECTION RATING**

- IP66 complying with IEC EN62208; EN60529
- NEMA 4 complying with UL508A; UL50
- protection degree guaranteed by the two-component polyurethane foam seal
- impact resistance IK10 complying with IEC EN62208; EN62202.



Boxes

**TERMINAL BOXES WITH GLAND PLATES**

SDF CODE	DIMENSIONS				TOTAL NUMBER GLAND PLATES	NUMBER OF GLAND PLATES	
	B	A	C	P		SIDE "B"	SIDE "A"
SDF3212	300	200	-	120	2	2	-
SDF3312	300	300	-	120	4	2	2
SDF4212	400	200	-	120	2	2	-
SDF4312	400	300	-	120	4	2	2
SDF4412	400	400	-	120	4	2	2
SDF5212	500	200	130	120	4	4	-
SDF5312	500	300	130	120	6	4	2
SDF6212	600	200	150	120	4	4	-
SDF6312	600	300	150	120	6	4	2
SDF6412	600	400	150	120	6	4	2
SDF8212	800	200	150	120	6	6	-
SDF8412	800	400	150	120	8	6	2

Note: to be ordered separately: mounting plate and/or DIN rails (refer to page 179).



**CHARACTERISTICS**

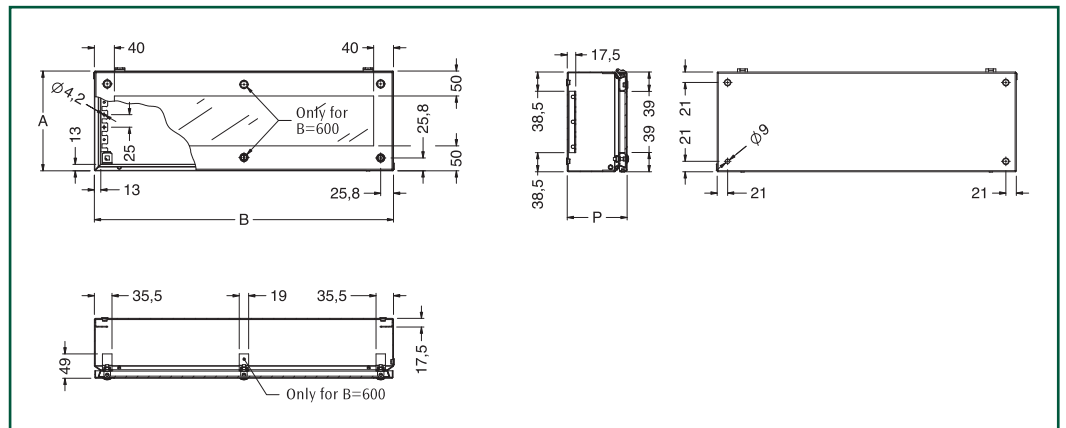
Box and lid manufactured from 1.2 mm thick sheet steel. Hinged lid with captive screws and provided with 3.0 mm thick plexiglas for internal inspection.

**PAINT FINISH**

ETA standard epoxy polyester powder coating. Colour: RAL 7035 textured finish.

**PROTECTION RATING**

- IP55 complying with IEC EN62208; EN60529
- impact resistance IK10 complying with IEC EN62208; EN62202.



Boxes

**TERMINAL BOXES WITH TRANSPARENT LID**

SDVX CODE	DIMENSIONS		
	B	A	P
SDVX4212	400	200	120
SDVX6212	600	200	120

**Note:** to be ordered separately; mounting plate and/or DIN rails (refer to page 179).



**CHARACTERISTICS**

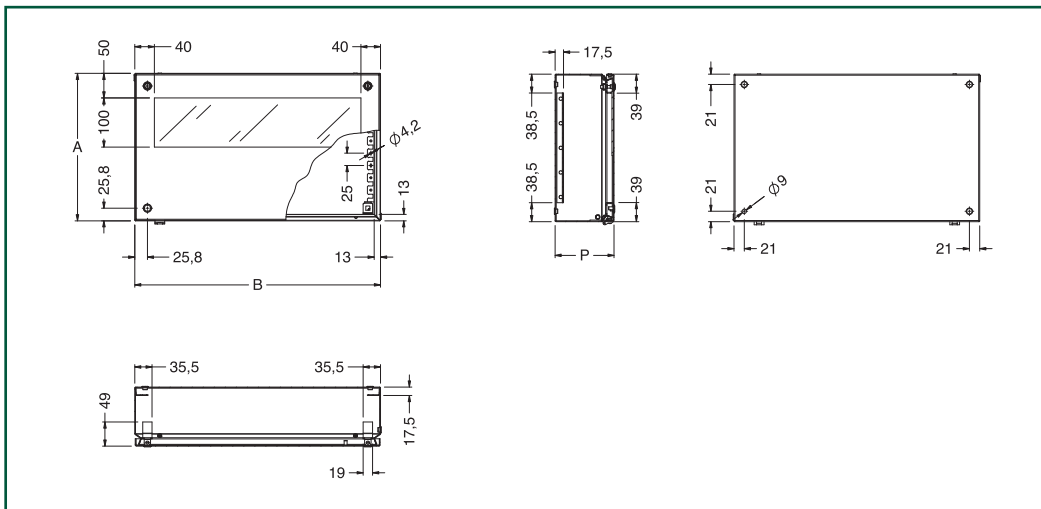
Box and lid manufactured from 1.2 mm thick sheet steel. Hinged lid with captive screws and provided with 3.0 mm thick plexiglas for internal inspection.

**PAINT FINISH**

ETA standard epoxy polyester powder coating.  
Colour: RAL 7035 textured finish.

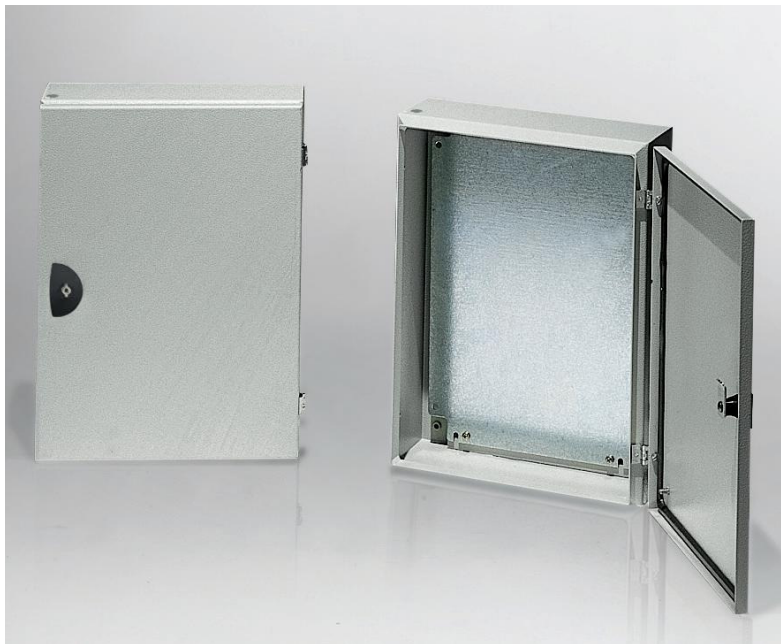
**PROTECTION RATING**

- IP55 complying with IEC EN62208; EN60529
- impact resistance IK10 complying with IEC EN62208; EN62202.

**TERMINAL BOX FOR BUS SYSTEMS**

SDVX CODE	DIMENSIONS		
	B	A	P
SDVX5312B	500	300	120

**Note:** to be ordered separately: mounting plate and/or DIN rails (refer to page 179).



#### CHARACTERISTICS

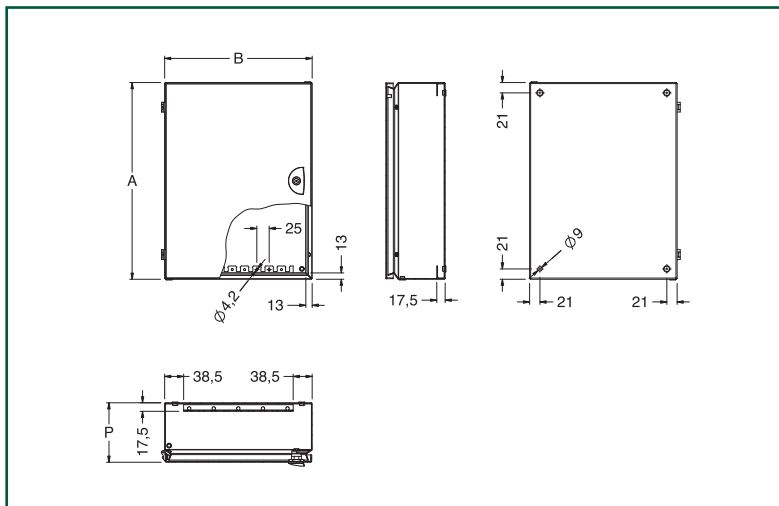
Box manufactured from 1.2 mm thick sheet steel.  
Door manufactured from 1.5 mm thick sheet steel with  $\varnothing$  3mm double bar key locking system.

#### PAINT FINISH

ETA standard epoxy polyester powder coating.  
Colour: RAL 7035 textured finish.

#### PROTECTION RATING

- IP55 complying with IEC EN62208; EN60529
- impact resistance IK10 complying with IEC EN62208; EN62202.



#### TERMINAL BOXES WITH DOOR

SDP CODE	DIMENSIONS		
	B	A	P
SDP2208	200	200	80
SDP2308	200	300	80
SDP2408	200	400	80
SDP2212	200	200	120
SDP2312	200	300	120
SDP2412	200	400	120
SDP2512	200	500	120
SDP3312	300	300	120
SDP3412	300	400	120

**Note:** to be ordered separately: mounting plate and/or DIN rails (refer to page 179).

Boxes

**MOUNTING PLATE SDPA**

**CHARACTERISTICS**

Manufactured from 2.0 mm thick sendzimir sheet steel.

**SUPPLY**

Includes 1 piece.



MOUNTING PLATE				
SDPA CODE	BOX DIM.		MOUN. PLATE DIM.	
	WIDTH	HEIGHT	W	H
SDPA-11	150	150	126	120
SDPA-22	200	200	176	170
SDPA-31	300	150	276	120
SDPA-32	300	200	276	170
SDPA-33	300	300	276	270
SDPA-42	400	200	376	170
SDPA-43	400	300	376	270
SDPA-44	400	400	376	370
SDPA-52	500	200	476	170
SDPA-53	500	300	476	270
SDPA-62	600	200	576	170
SDPA-63	600	300	576	270
SDPA-64	600	400	576	370
SDPA-82	800	200	776	170
SDPA-84	800	400	776	370

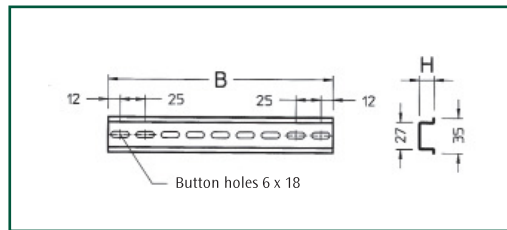
**INNER RAILS SDWA**

**CHARACTERISTICS**

Manufactured from sendzimir sheet steel bars.

**SUPPLY**

Includes 10 pieces.



INNER RAILS			
SDWA CODE	BOX WIDTH	B	H
SDWA-013	150	125	7,5
SDWA-015	200	175	7,5
SDWA-020	300	275	7,5
SDWA-025	400	375	7,5
SDWA-030	500	475	7,5
SDWA-035	600	575	15
SDWA-040	800	775	15



Boxes

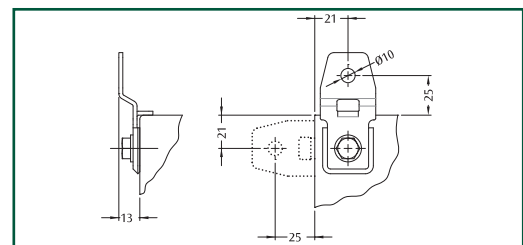
**WALL MOUNTING BRACKETS SDWC-010**

**CHARACTERISTICS**

Manufactured from 2.5 mm thick zincpassivated sheet steel.

**SUPPLY**

Includes 4 pieces.



**HINGES SDWA-005**

**CHARACTERISTICS**

Manufactured from white zincpassivated alloy.

**SUPPLY**

Includes 6 pieces with mounting accessories.

