



innovative
enclosure solutions
for industrial & electronic
applications

GENERAL CATALOGUE

Release 20

CABINETS

[SUITE CABINETS E NUX](#)

[MONOBLOC CABINETS E MOX](#)

[COMPACT SOLUTIONS E COMP](#)

[MODULAR SOLUTIONS E NUX](#)

[PC CABINETS E NUX](#)

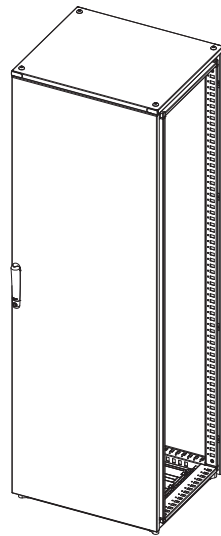
[RACK 19" AND NETWORKING SOLUTIONS E NUX](#)

Nothing is more critical than your components. At E.T.A. we are constantly aware of that. That's why everything about the new E NUX modular cabinet system is designed with these ideas in mind.

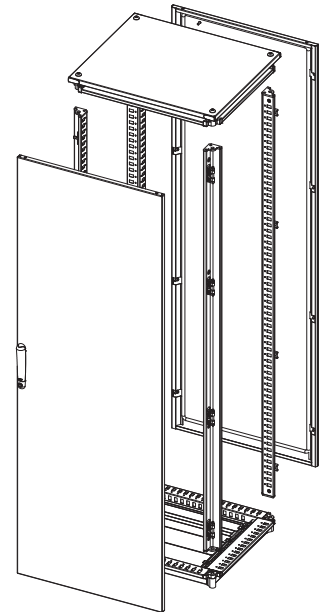
E NUX is produced as a real complete "system" of cabinets for different applications: based on the same E NUX structure (bottom + top + uprights), thanks to a wide range of standard accessories we offer specific versions, fittings and solutions for each need.

SUPPLY

Assembled cabinet



Flat-pack cabinet



VERSIONS

e nux

e nux simplex

SOLUTIONS



Blank door



Plexi door



Back/Front door



Double door

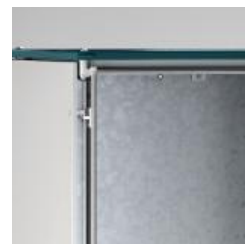
MATERIALS



Sheet steel



Stainless steel sheet



EMC

APPLICATIONS
BASED ON E NUX



Automation



Modular / LV Energy



PC



Control desks



Rack 19"

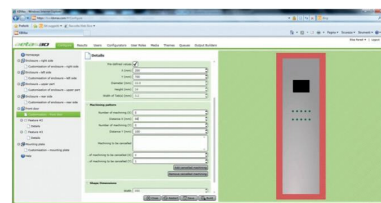
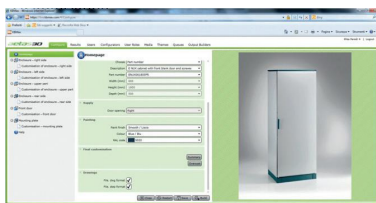


Networking



Pantone 2717U version

AETAS3D



New on-line configurator
for the easy, fast & effective
customisation of E NUX
and ST boxes

CUSTOMISATION



Special painting
and finishes



Simple and threaded holes
Wide range of services for
complete customization



THE SHELL FOR AUTOMATION

Preserving environmental resources and increasing their value over time; investing in new manufacturing processes with a long-term vision; offering technologically advanced & high-quality enclosure solutions: this is the company philosophy, which is well represented by E NUX, the new modular cabinet system offered by E.T.A.

Innovation is deployed at multiple levels for E NUX: research for environmental protection and efficiency, investments in new high-tech machinery and energy-saving machining processes, new constructive concepts and selection of last-generation high-strength low-alloy steel with high-performance mechanical properties. E NUX cabinet system is a perfect match of made-in-Italy design and Cutting-edge technology and quality features, studied to enhance functionality, protection and versatility of your enclosure solutions.

BENEFITS

New constructive concepts	Sustainability
New high-strength low-alloy steel	Research and technology
Variety of solutions, configurations and dimensions	Flexibility
Rigid frame profile and sturdy structure	Strength
Innovative latch system	Functionality
Modern clean appearance and high aesthetics	Design
Perfect adherence to industry standards	Safety & reliability



e NUX

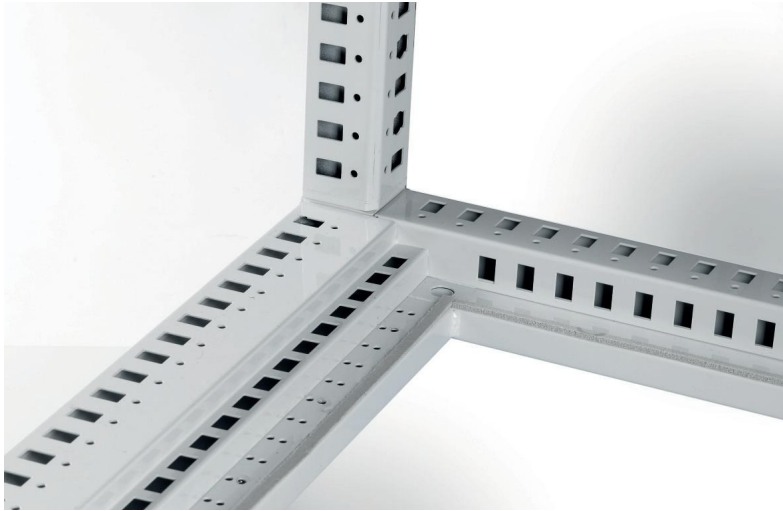
SUITE CABINET

FEATURES

- 1 Removable roof to simplify cable management.
- 2 Simple structure assembled with 8 screws only, thanks to the exclusive orthogonal joint manufactured from special steel.
- 3 Sturdy structural uprights manufactured from high-strength low-alloy steel with fiber laser welded closed symmetric profile.
- 4 Besides the E NUX version, a second configuration with simplified door and plate (E NUX simplex) is available for simpler applications.
- 5 New colour for top, plinth and handle (RAL 5020).
- 6 New colour (Pantone 2717U) for top, plinth and handle available as an option.
- 7 Locking system with a unique lever mechanism, unique design and:
 - 3-point locking for H=1400 and 1600
 - 4-point locking for H=1800 and 2000
 - 5-point locking for H=2200
 with possibility to mount different inserts and convenient lock release system of the slave door of the double door cabinet.
- 8 Reversible door with strengthening frame.
- 9 Sturdy panels for high structural stiffness.
- 10 Modular cable entry bottom with adjustable base plates and seal, consisting of one fiber laser-MIG hybrid welded piece with box-type construction manufactured from high-strength low-alloy steel.
- 11 Front-inserted mounting plate, which can be recessed flush with the uprights thanks to the effective sliding guides system integrated in the bottom.
- 12 Easy-to-assemble modular plinth EUZE
 - Possibility to adopt a fully modular Walk-On cable conduit.
 - Wide range of complementary accessories.
 - Wide range of sizes and unified structure for the configuration of automation cabinets, modular solutions, PC enclosures, control desks, 19" rack solutions, and telecom/networking cabinets.

Protection rating: IP55 - Nema 12 - IK10.

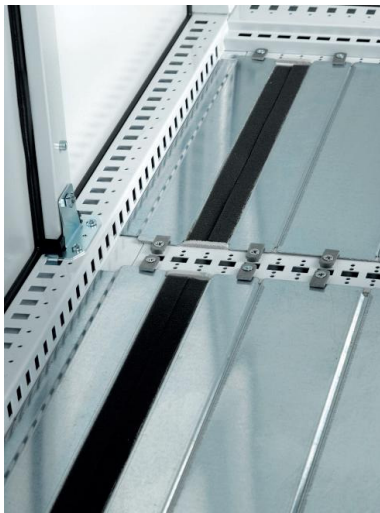




**E NUX: SUSTAINABLE,
STRONG AND PERFORMING CABINET**

STRENGTH

Improved mechanical features and higher pulling, twisting, bending resistance thanks to fiber laser welded box-type uprights manufactured from high-strength low-alloy sheet steel and one-piece cable entry bottom, with box-type structure of press-bent fiber laser-MIG hybrid welded profiles of high-strength low-alloy sheet steel. Double cable entry with central partition crosspiece integrated in the bottom for increased sturdiness.



SAFETY

Modular cable entry bottom featuring adjustable base plates with metal fixing elements to guarantee automatic grounding: included in the standard supply, adhesive seal for an optimal cable routing to preserve the IP protection degree.



STURDINESS

The unique and innovative bending concept of back and side panels with rounded folding, ensures undisputed structural stiffness combined with the benefit of smoother handling and high aesthetics.

DESIGN

The E NUX cabinet is characterized by a unique feature: the selected finishing and the new colour impact represent the company's "sustainable" philosophy, while the innovative handle with a unique ergonomic design and soft shapes inspired to the drops of water combines functionality and harmony.

Concept of the handle: de Poorter design.

Handle selected for ADI Design Index 2013.



TECHNOLOGY

Lever-operated opening system with compact internal footprint, easy door release system for the slave door of the double door cabinet: with this opening concept, the operator no longer needs to put a hand into the cabinet and can use the same key as for the master door.



FLEXIBILITY

Over 90 standard dimensions, multiple configurations in mounted or flat-pack versions, selection between two different versions, full range of complementary accessories for multiple configurations. E NUX stands out for its wide range of solutions and multiple customization options.



ASSEMBLED CABINET

Suite

IMAGES ARE ONLY INTENDED TO ILLUSTRATE THE PRODUCT	E NUX			E NUX SIMPLEX	
	CABINET WITH FRONT BLANK DOOR + REAR PANEL (1)	CABINET WITH FRONT PLEXI DOOR + REAR PANEL (2)	CABINET WITH FRONT BLANK DOOR + REAR BLANK DOOR (3)	CABINET WITH FRONT BLANK DOOR + REAR PANEL (1)	CABINET WITH FRONT BLANK DOOR + REAR BLANK DOOR (3)
DIMENSIONS W x H x D					
400 x 1600 x 400	ENUX041604PR		ENUX041604DP		
400 x 1600 x 500	ENUX041605PR		ENUX041605DP		
400 x 1600 x 600	ENUX041606PR		ENUX041606DP		
400 x 1800 x 400	ENUX041804PR		ENUX041804DP		
400 x 1800 x 500	ENUX041805PR		ENUX041805DP		
400 x 1800 x 600	ENUX041806PR		ENUX041806DP		
400 x 1800 x 800	ENUX041808PR		ENUX041808DP		
400 x 2000 x 400	ENUX042004PR		ENUX042004DP		
400 x 2000 x 500	ENUX042005PR		ENUX042005DP		
400 x 2000 x 600	ENUX042006PR		ENUX042006DP		
400 x 2000 x 800	ENUX042008PR		ENUX042008DP		
400 x 2200 x 500	ENUX042205PR		ENUX042205DP		
400 x 2200 x 600	ENUX042206PR		ENUX042206DP		
400 x 2200 x 800	ENUX042208PR		ENUX042208DP		
600 x 1400 x 400	ENUX061404PR	ENUX061404PV	ENUX061404DP		
600 x 1400 x 500	ENUX061405PR	ENUX061405PV	ENUX061405DP		
600 x 1600 x 400	ENUX061604PR	ENUX061604PV	ENUX061604DP		
600 x 1600 x 500	ENUX061605PR	ENUX061605PV	ENUX061605DP		
600 x 1600 x 600	ENUX061606PR	ENUX061606PV	ENUX061606DP		
600 x 1800 x 400	ENUX061804PR	ENUX061804PV	ENUX061804DP	ENUX061804PRL	ENUX061804DPL
600 x 1800 x 500	ENUX061805PR	ENUX061805PV	ENUX061805DP	ENUX061805PRL	ENUX061805DPL
600 x 1800 x 600	ENUX061806PR	ENUX061806PV	ENUX061806DP	ENUX061806PRL	ENUX061806DPL
600 x 1800 x 800	ENUX061808PR	ENUX061808PV	ENUX061808DP	ENUX061808PRL	ENUX061808DPL
600 x 2000 x 400	ENUX062004PR	ENUX062004PV	ENUX062004DP	ENUX062004PRL	ENUX062004DPL
600 x 2000 x 500	ENUX062005PR	ENUX062005PV	ENUX062005DP	ENUX062005PRL	ENUX062005DPL
600 x 2000 x 600	ENUX062006PR	ENUX062006PV	ENUX062006DP	ENUX062006PRL	ENUX062006DPL
600 x 2000 x 800	ENUX062008PR	ENUX062008PV	ENUX062008DP	ENUX062008PRL	ENUX062008DPL
600 x 2000 x 1000	ENUX062010PR	—	—		
600 x 2200 x 500	ENUX062205PR	ENUX062205PV	ENUX062205DP		
600 x 2200 x 600	ENUX062206PR	ENUX062206PV	ENUX062206DP		
600 x 2200 x 800	ENUX062208PR	ENUX062208PV	ENUX062208DP		
800 x 1400 x 400	ENUX081404PR	ENUX081404PV	ENUX081404DP		
800 x 1400 x 500	ENUX081405PR	ENUX081405PV	ENUX081405DP		
800 x 1600 x 400	ENUX081604PR	ENUX081604PV	ENUX081604DP		
800 x 1600 x 500	ENUX081605PR	ENUX081605PV	ENUX081605DP		
800 x 1600 x 600	ENUX081606PR	ENUX081606PV	ENUX081606DP		
800 x 1800 x 400	ENUX081804PR	ENUX081804PV	ENUX081804DP	ENUX081804PRL	ENUX081804DPL
800 x 1800 x 500	ENUX081805PR	ENUX081805PV	ENUX081805DP	ENUX081805PRL	ENUX081805DPL
800 x 1800 x 600	ENUX081806PR	ENUX081806PV	ENUX081806DP	ENUX081806PRL	ENUX081806DPL
800 x 1800 x 800	ENUX081808PR	ENUX081808PV	ENUX081808DP	ENUX081808PRL	ENUX081808DPL
800 x 2000 x 400	ENUX082004PR	ENUX082004PV	ENUX082004DP	ENUX082004PRL	ENUX082004DPL
800 x 2000 x 500	ENUX082005PR	ENUX082005PV	ENUX082005DP	ENUX082005PRL	ENUX082005DPL
800 x 2000 x 600	ENUX082006PR	ENUX082006PV	ENUX082006DP	ENUX082006PRL	ENUX082006DPL
800 x 2000 x 800	ENUX082008PR	ENUX082008PV	ENUX082008DP	ENUX082008PRL	ENUX082008DPL
800 x 2000 x 1000	ENUX082010PR	—	—		
800 x 2200 x 500	ENUX082205PR	ENUX082205PV	ENUX082205DP		
800 x 2200 x 600	ENUX082206PR	ENUX082206PV	ENUX082206DP		
800 x 2200 x 800	ENUX082208PR	ENUX082208PV	ENUX082208DP		

ASSEMBLED CABINET

IMAGES ARE ONLY INTENDED TO ILLUSTRATE THE PRODUCT	E NUX			E NUX SIMPLEX	
	CABINET WITH FRONT BLANK DOOR + REAR PANEL (1)	CABINET WITH FRONT PLEXI DOOR + REAR PANEL (2)	CABINET WITH FRONT BLANK DOOR + REAR BLANK DOOR (3)	CABINET WITH FRONT BLANK DOOR + REAR PANEL (1)	CABINET WITH FRONT BLANK DOOR + REAR BLANK DOOR (3)
DIMENSIONS W x H x D					
1000 x 1600 x 400	ENUX101604PR	ENUX101604PV	ENUX101604DP		
1000 x 1600 x 500	ENUX101605PR	ENUX101605PV	ENUX101605DP		
1000 x 1600 x 600	ENUX101606PR	ENUX101606PV	ENUX101606DP		
1000 x 1800 x 400	ENUX101804PR	ENUX101804PV	ENUX101804DP	ENUX101804PRL	ENUX101804DPL
1000 x 1800 x 500	ENUX101805PR	ENUX101805PV	ENUX101805DP	ENUX101805PRL	ENUX101805DPL
1000 x 1800 x 600	ENUX101806PR	ENUX101806PV	ENUX101806DP	ENUX101806PRL	ENUX101806DPL
1000 x 1800 x 800	ENUX101808PR	ENUX101808PV	ENUX101808DP	ENUX101808PRL	ENUX101808DPL
1000 x 2000 x 400	ENUX102004PR	ENUX102004PV	ENUX102004DP	ENUX102004PRL	ENUX102004DPL
1000 x 2000 x 500	ENUX102005PR	ENUX102005PV	ENUX102005DP	ENUX102005PRL	ENUX102005DPL
1000 x 2000 x 600	ENUX102006PR	ENUX102006PV	ENUX102006DP	ENUX102006PRL	ENUX102006DPL
1000 x 2000 x 800	ENUX102008PR	ENUX102008PV	ENUX102008DP	ENUX102008PRL	ENUX102008DPL
1000 x 2200 x 500	ENUX102205PR	ENUX102205PV	ENUX102205DP		
1000 x 2200 x 600	ENUX102206PR	ENUX102206PV	ENUX102206DP		
1000 x 2200 x 800	ENUX102208PR	ENUX102208PV	ENUX102208DP		
1200 x 1400 x 400	ENUX121404PR		ENUX121404DP		
1200 x 1400 x 500	ENUX121405PR		ENUX121405DP		
1200 x 1600 x 400	ENUX121604PR		ENUX121604DP		
1200 x 1600 x 500	ENUX121605PR		ENUX121605DP		
1200 x 1600 x 600	ENUX121606PR		ENUX121606DP		
1200 x 1800 x 400	ENUX121804PR		ENUX121804DP	ENUX121804PRL	ENUX121804DPL
1200 x 1800 x 500	ENUX121805PR		ENUX121805DP	ENUX121805PRL	ENUX121805DPL
1200 x 1800 x 600	ENUX121806PR		ENUX121806DP	ENUX121806PRL	ENUX121806DPL
1200 x 1800 x 800	ENUX121808PR		ENUX121808DP	ENUX121808PRL	ENUX121808DPL
1200 x 2000 x 400	ENUX122004PR		ENUX122004DP	ENUX122004PRL	ENUX122004DPL
1200 x 2000 x 500	ENUX122005PR		ENUX122005DP	ENUX122005PRL	ENUX122005DPL
1200 x 2000 x 600	ENUX122006PR		ENUX122006DP	ENUX122006PRL	ENUX122006DPL
1200 x 2000 x 800	ENUX122008PR		ENUX122008DP	ENUX122008PRL	ENUX122008DPL
1200 x 2000 x 1000	ENUX122010PR		—		
1200 x 2200 x 500	ENUX122205PR		ENUX122205DP		
1200 x 2200 x 600	ENUX122206PR		ENUX122206DP		
1200 x 2200 x 800	ENUX122208PR		ENUX122208DP		
1400 x 2000 x 400	ENUX142004PR		ENUX142004DP		
1400 x 2000 x 500	ENUX142005PR		ENUX142005DP		
1400 x 2000 x 600	ENUX142006PR		ENUX142006DP		
1400 x 2000 x 800	ENUX142008PR		ENUX142008DP		
1600 x 1400 x 400	ENUX161404PR		ENUX161404DP		
1600 x 1400 x 500	ENUX161405PR		ENUX161405DP		
1600 x 2000 x 400	ENUX162004PR		ENUX162004DP		
1600 x 2000 x 500	ENUX162005PR		ENUX162005DP		
1600 x 2000 x 600	ENUX162006PR		ENUX162006DP		
1600 x 2000 x 800	ENUX162008PR		ENUX162008DP		

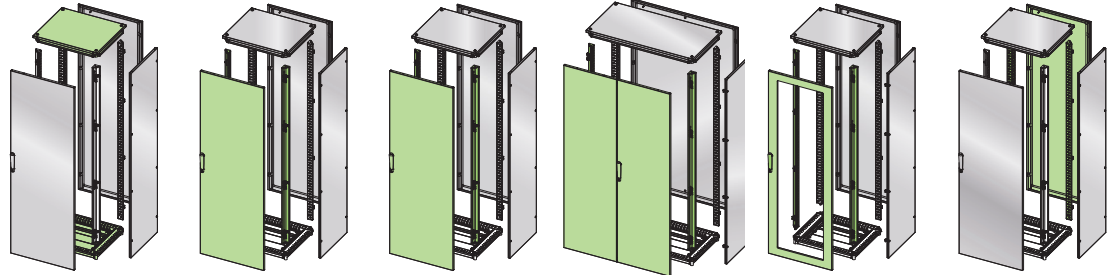
(1) supply includes the cabinet frame, blank door and rear panel. To be ordered separately mounting plate, side panels, plinth, eyebolts WTGS-001
 (2) supply includes the cabinet frame, plexi door and rear panel. To be ordered separately mounting plate, side panels, plinth, eyebolts WTGS-001
 (3) supply includes the cabinet frame, front door and rear door. To be ordered separately mounting plate, side panels, plinth, eyebolts WTGS-001



FLAT-PACK CABINET

Suite

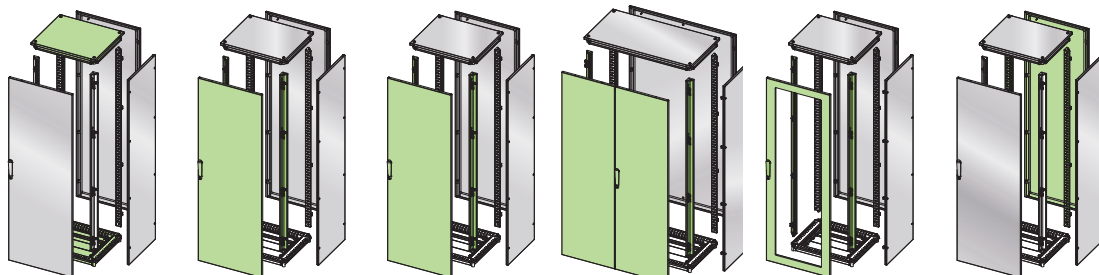
IMAGES ARE ONLY INTENDED TO ILLUSTRATE THE PRODUCT



DIMENSIONS W x H x D	ROOF + BOTTOM	FRONT BLANK DOOR + FRONT UPRIGHTS	FRONT BLANK DOOR + FRONT UPRIGHTS (E NUX SIMPLEX)	FRONT BLANK DOOR 500+500 + FRONT UPRIGHTS	PLEXI DOOR + FRONT UPRIGHTS	REAR PANEL + REAR UPRIGHTS
400 x 1600 x 400	EUTF040040	EUP0040160				EURE040160
400 x 1600 x 500	EUTF040050	EUP0040160				EURE040160
400 x 1600 x 600	EUTF040060	EUP0040160				EURE040160
400 x 1800 x 400	EUTF040040	EUP0040180				EURE040180
400 x 1800 x 500	EUTF040050	EUP0040180				EURE040180
400 x 1800 x 600	EUTF040060	EUP0040180				EURE040180
400 x 1800 x 800	EUTF040080	EUP0040180				EURE040180
400 x 2000 x 400	EUTF040040	EUP0040200				EURE040200
400 x 2000 x 500	EUTF040050	EUP0040200				EURE040200
400 x 2000 x 600	EUTF040060	EUP0040200				EURE040200
400 x 2000 x 800	EUTF040080	EUP0040200				EURE040200
400 x 2200 x 500	EUTF040050	EUP0040220				EURE040220
400 x 2200 x 600	EUTF040060	EUP0040220				EURE040220
400 x 2200 x 800	EUTF040080	EUP0040220				EURE040220
600 x 1400 x 400	EUTF060040	EUP0060140			EUPV060140	EURE060140
600 x 1400 x 500	EUTF060050	EUP0060140			EUPV060140	EURE060140
600 x 1600 x 400	EUTF060040	EUP0060160			EUPV060160	EURE060160
600 x 1600 x 500	EUTF060050	EUP0060160			EUPV060160	EURE060160
600 x 1600 x 600	EUTF060060	EUP0060160			EUPV060160	EURE060160
600 x 1800 x 400	EUTF060040	EUP0060180	EUP0060180L		EUPV060180	EURE060180
600 x 1800 x 500	EUTF060050	EUP0060180	EUP0060180L		EUPV060180	EURE060180
600 x 1800 x 600	EUTF060060	EUP0060180	EUP0060180L		EUPV060180	EURE060180
600 x 1800 x 800	EUTF060080	EUP0060180	EUP0060180L		EUPV060180	EURE060180
600 x 2000 x 400	EUTF060040	EUP0060200	EUP0060200L		EUPV060200	EURE060200
600 x 2000 x 500	EUTF060050	EUP0060200	EUP0060200L		EUPV060200	EURE060200
600 x 2000 x 600	EUTF060060	EUP0060200	EUP0060200L		EUPV060200	EURE060200
600 x 2000 x 800	EUTF060080	EUP0060200	EUP0060200L		EUPV060200	EURE060200
600 x 2200 x 500	EUTF060050	EUP0060220			EUPV060220	EURE060220
600 x 2200 x 600	EUTF060060	EUP0060220			EUPV060220	EURE060220
600 x 2200 x 800	EUTF060080	EUP0060220			EUPV060220	EURE060220
800 x 1400 x 400	EUTF080040	EUP0080140			EUPV080140	EURE080140
800 x 1400 x 500	EUTF080050	EUP0080140			EUPV080140	EURE080140
800 x 1600 x 400	EUTF080040	EUP0080160			EUPV080160	EURE080160
800 x 1600 x 500	EUTF080050	EUP0080160			EUPV080160	EURE080160
800 x 1600 x 600	EUTF080060	EUP0080160			EUPV080160	EURE080160
800 x 1800 x 400	EUTF080040	EUP0080180	EUP0080180L		EUPV080180	EURE080180
800 x 1800 x 500	EUTF080050	EUP0080180	EUP0080180L		EUPV080180	EURE080180
800 x 1800 x 600	EUTF080060	EUP0080180	EUP0080180L		EUPV080180	EURE080180
800 x 1800 x 800	EUTF080080	EUP0080180	EUP0080180L		EUPV080180	EURE080180
800 x 2000 x 400	EUTF080040	EUP0080200	EUP0080200L		EUPV080200	EURE080200
800 x 2000 x 500	EUTF080050	EUP0080200	EUP0080200L		EUPV080200	EURE080200
800 x 2000 x 600	EUTF080060	EUP0080200	EUP0080200L		EUPV080200	EURE080200
800 x 2000 x 800	EUTF080080	EUP0080200	EUP0080200L		EUPV080200	EURE080200
800 x 2200 x 500	EUTF080050	EUP0080220			EUPV080220	EURE080220
800 x 2200 x 600	EUTF080060	EUP0080220			EUPV080220	EURE080220
800 x 2200 x 800	EUTF080080	EUP0080220			EUPV080220	EURE080220

FLAT-PACK CABINET

IMAGES ARE ONLY INTENDED TO ILLUSTRATE THE PRODUCT



DIMENSIONS W x H x D	ROOF + BOTTOM	FRONT BLANK DOOR + FRONT UPRIGHTS	FRONT BLANK DOOR + FRONT UPRIGHTS (E NUX SIMPLEX)	FRONT BLANK DOOR 500+500 + FRONT UPRIGHTS	PLEXI DOOR + FRONT UPRIGHTS	REAR PANEL + REAR UPRIGHTS
1000 x 1600 x 400	EUTF100040	EUP0100160		EUP0100160DP	EUPV100160	EURE100160
1000 x 1600 x 500	EUTF100050	EUP0100160		EUP0100160DP	EUPV100160	EURE100160
1000 x 1600 x 600	EUTF100060	EUP0100160		EUP0100160DP	EUPV100160	EURE100160
1000 x 1800 x 400	EUTF100040	EUP0100180	EUP0100180L	EUP0100180DP	EUPV100180	EURE100180
1000 x 1800 x 500	EUTF100050	EUP0100180	EUP0100180L	EUP0100180DP	EUPV100180	EURE100180
1000 x 1800 x 600	EUTF100060	EUP0100180	EUP0100180L	EUP0100180DP	EUPV100180	EURE100180
1000 x 1800 x 800	EUTF100080	EUP0100180	EUP0100180L	EUP0100180DP	EUPV100180	EURE100180
1000 x 2000 x 400	EUTF100040	EUP0100200	EUP0100200L	EUP0100200DP	EUPV100200	EURE100200
1000 x 2000 x 500	EUTF100050	EUP0100200	EUP0100200L	EUP0100200DP	EUPV100200	EURE100200
1000 x 2000 x 600	EUTF100060	EUP0100200	EUP0100200L	EUP0100200DP	EUPV100200	EURE100200
1000 x 2000 x 800	EUTF100080	EUP0100200	EUP0100200L	EUP0100200DP	EUPV100200	EURE100200
1000 x 2200 x 500	EUTF100050	EUP0100220		EUP0100220DP	EUPV100220	EURE100220
1000 x 2200 x 600	EUTF100060	EUP0100220		EUP0100220DP	EUPV100220	EURE100220
1000 x 2200 x 800	EUTF100080	EUP0100220		EUP0100220DP	EUPV100220	EURE100220
1200 x 1400 x 400	EUTF120040	EUP0120140				EURE120140
1200 x 1400 x 500	EUTF120050	EUP0120140				EURE120140
1200 x 1600 x 400	EUTF120040	EUP0120160				EURE120160
1200 x 1600 x 500	EUTF120050	EUP0120160				EURE120160
1200 x 1600 x 600	EUTF120060	EUP0120160				EURE120160
1200 x 1800 x 400	EUTF120040	EUP0120180	EUP0120180L			EURE120180
1200 x 1800 x 500	EUTF120050	EUP0120180	EUP0120180L			EURE120180
1200 x 1800 x 600	EUTF120060	EUP0120180	EUP0120180L			EURE120180
1200 x 1800 x 800	EUTF120080	EUP0120180	EUP0120180L			EURE120180
1200 x 2000 x 400	EUTF120040	EUP0120200	EUP0120200L			EURE120200
1200 x 2000 x 500	EUTF120050	EUP0120200	EUP0120200L			EURE120200
1200 x 2000 x 600	EUTF120060	EUP0120200	EUP0120200L			EURE120200
1200 x 2000 x 800	EUTF120080	EUP0120200	EUP0120200L			EURE120200
1200 x 2200 x 500	EUTF120050	EUP0120220				EURE120220
1200 x 2200 x 600	EUTF120060	EUP0120220				EURE120220
1200 x 2200 x 800	EUTF120080	EUP0120220				EURE120220
1400 x 2000 x 400	EUTF140040	EUP0140200				EURE140200
1400 x 2000 x 500	EUTF140050	EUP0140200				EURE140200
1400 x 2000 x 600	EUTF140060	EUP0140200				EURE140200
1400 x 2000 x 800	EUTF140080	EUP0140200				EURE140200
1600 x 1400 x 400	EUTF160040	EUP0160140				EURE160140
1600 x 1400 x 500	EUTF160050	EUP0160140				EURE160140
1600 x 2000 x 400	EUTF160040	EUP0160200				EURE160200
1600 x 2000 x 500	EUTF160050	EUP0160200				EURE160200
1600 x 2000 x 600	EUTF160060	EUP0160200				EURE160200
1600 x 2000 x 800	EUTF160080	EUP0160200				EURE160200



ACCESSORIES TO COMPLETE THE CABINET

Suite

DIMENSIONS W X H X D	FRONT INSERTED MOUNTING PLATE (5)		SIDE PANELS (6)	PLINTH H=100		
	FRONT INSERTED MOUNTING PLATE E NUX SIMPLEX (5)			UNIVERSAL CORNER PIECES (7)	FRONT/REAR CROSSPIECES (8)	SIDE CROSSPIECES (9)
200 x 1800 x 500						
200 x 2000 x 600						
300 x 1600 x 400			EUF1040160	EUZE-A100	EUZE-T0300	EUZE-T0400
300 x 1600 x 500			EUF1050160	EUZE-A100	EUZE-T0300	EUZE-T0500
300 x 1600 x 600			EUF1060160	EUZE-A100	EUZE-T0300	EUZE-T0600
300 x 1800 x 400			EUF1040180	EUZE-A100	EUZE-T0300	EUZE-T0400
300 x 1800 x 500			EUF1050180	EUZE-A100	EUZE-T0300	EUZE-T0500
300 x 1800 x 600			EUF1060180	EUZE-A100	EUZE-T0300	EUZE-T0600
300 x 1800 x 800			EUF1080180	EUZE-A100	EUZE-T0300	EUZE-T0800
300 x 2000 x 400			EUF1040200	EUZE-A100	EUZE-T0300	EUZE-T0400
300 x 2000 x 500			EUF1050200	EUZE-A100	EUZE-T0300	EUZE-T0500
300 x 2000 x 600			EUF1060200	EUZE-A100	EUZE-T0300	EUZE-T0600
300 x 2000 x 800			EUF1080200	EUZE-A100	EUZE-T0300	EUZE-T0800
300 x 2200 x 500			EUF1050220	EUZE-A100	EUZE-T0300	EUZE-T0500
300 x 2200 x 600			EUF1060220	EUZE-A100	EUZE-T0300	EUZE-T0600
300 x 2200 x 800			EUF1080220	EUZE-A100	EUZE-T0300	EUZE-T0800
400 x 1600 x 400	EUPA-040160		EUF1040160	EUZE-A100	EUZE-T0400	EUZE-T0400
400 x 1600 x 500	EUPA-040160		EUF1050160	EUZE-A100	EUZE-T0400	EUZE-T0500
400 x 1600 x 600	EUPA-040160		EUF1060160	EUZE-A100	EUZE-T0400	EUZE-T0600
400 x 1800 x 400	EUPA-040180		EUF1040180	EUZE-A100	EUZE-T0400	EUZE-T0400
400 x 1800 x 500	EUPA-040180		EUF1050180	EUZE-A100	EUZE-T0400	EUZE-T0500
400 x 1800 x 600	EUPA-040180		EUF1060180	EUZE-A100	EUZE-T0400	EUZE-T0600
400 x 1800 x 800	EUPA-040180		EUF1080180	EUZE-A100	EUZE-T0400	EUZE-T0800
400 x 2000 x 400	EUPA-040200		EUF1040200	EUZE-A100	EUZE-T0400	EUZE-T0400
400 x 2000 x 500	EUPA-040200		EUF1050200	EUZE-A100	EUZE-T0400	EUZE-T0500
400 x 2000 x 600	EUPA-040200		EUF1060200	EUZE-A100	EUZE-T0400	EUZE-T0600
400 x 2000 x 800	EUPA-040200		EUF1080200	EUZE-A100	EUZE-T0400	EUZE-T0800
400 x 2200 x 500	EUPA-040220		EUF1050220	EUZE-A100	EUZE-T0400	EUZE-T0500
400 x 2200 x 600	EUPA-040220		EUF1060220	EUZE-A100	EUZE-T0400	EUZE-T0600
400 x 2200 x 800	EUPA-040220		EUF1080220	EUZE-A100	EUZE-T0400	EUZE-T0800
600 x 1400 x 400	EUPA-060140		EUF1040140	EUZE-A100	EUZE-T0600	EUZE-T0400
600 x 1400 x 500	EUPA-060140		EUF1050140	EUZE-A100	EUZE-T0600	EUZE-T0500
600 x 1600 x 400	EUPA-060160		EUF1040160	EUZE-A100	EUZE-T0600	EUZE-T0400
600 x 1600 x 500	EUPA-060160		EUF1050160	EUZE-A100	EUZE-T0600	EUZE-T0500
600 x 1600 x 600	EUPA-060160		EUF1060160	EUZE-A100	EUZE-T0600	EUZE-T0600
600 x 1800 x 400	EUPA-060180	EUPA-060180L	EUF1040180	EUZE-A100	EUZE-T0600	EUZE-T0400
600 x 1800 x 500	EUPA-060180	EUPA-060180L	EUF1050180	EUZE-A100	EUZE-T0600	EUZE-T0500
600 x 1800 x 600	EUPA-060180	EUPA-060180L	EUF1060180	EUZE-A100	EUZE-T0600	EUZE-T0600
600 x 1800 x 800	EUPA-060180	EUPA-060180L	EUF1080180	EUZE-A100	EUZE-T0600	EUZE-T0800
600 x 2000 x 400	EUPA-060200	EUPA-060200L	EUF1040200	EUZE-A100	EUZE-T0600	EUZE-T0400
600 x 2000 x 500	EUPA-060200	EUPA-060200L	EUF1050200	EUZE-A100	EUZE-T0600	EUZE-T0500
600 x 2000 x 600	EUPA-060200	EUPA-060200L	EUF1060200	EUZE-A100	EUZE-T0600	EUZE-T0600
600 x 2000 x 800	EUPA-060200	EUPA-060200L	EUF1080200	EUZE-A100	EUZE-T0600	EUZE-T0800
600 x 2000 x 1000	EUPA-060200		EUF1100200	EUZE-A100	EUZE-T0600	EUZE-T1000
600 x 2200 x 500	EUPA-060220		EUF1050220	EUZE-A100	EUZE-T0600	EUZE-T0500
600 x 2200 x 600	EUPA-060220		EUF1060220	EUZE-A100	EUZE-T0600	EUZE-T0600
600 x 2200 x 800	EUPA-060220		EUF1080220	EUZE-A100	EUZE-T0600	EUZE-T0800

(5) to be ordered separately mounting accessories WTKB-002
 (6) supply includes 2 pieces
 (7) supply includes 4 pieces

(8) supply includes 2 pieces
 (9) supply includes 2 pieces



MAIN ACCESSORIES

DIMENSIONS W x H x D	CABLE ENTRY MODULE FRONT OPENING (3) (4)	CABLE ENTRY MODULE SIDE OPENING W=200/300	INTERMEDIATE PLATE	SIDE INSERTED MOUNTING PLATE	INNER DOOR	FAST FIXING BRACKETS H=25 MM (10)
200 x 1800 x 500		EURP021805				
200 x 2000 x 600		EURP022006				
300 x 1600 x 400	ENUX031604					
300 x 1600 x 500	ENUX031605					
300 x 1600 x 600	ENUX031606					
300 x 1800 x 400	ENUX031804					
300 x 1800 x 500	ENUX031805	EURP031805				
300 x 1800 x 600	ENUX031806	EURP031806				
300 x 1800 x 800	ENUX031808	EURP031808				
300 x 2000 x 400	ENUX032004					
300 x 2000 x 500	ENUX032005	EURP032005				
300 x 2000 x 600	ENUX032006	EURP032006				
300 x 2000 x 800	ENUX032008	EURP032008				
300 x 2200 x 500	ENUX032205					
300 x 2200 x 600	ENUX032206					
300 x 2200 x 800	ENUX032208					
400 x 1600 x 400			EUPN-001600	EUPL-040160		WTPR-025040R
400 x 1600 x 500			EUPN-001600	EUPL-040160		WTPR-025050R
400 x 1600 x 600			EUPN-001600	EUPL-040160		WTPR-025060R
400 x 1800 x 400			EUPN-001800	EUPL-040180		WTPR-025040R
400 x 1800 x 500			EUPN-001800	EUPL-040180		WTPR-025050R
400 x 1800 x 600			EUPN-001800	EUPL-040180		WTPR-025060R
400 x 1800 x 800			EUPN-001800	EUPL-040180		WTPR-025080R
400 x 2000 x 400			EUPN-002000	EUPL-040200		WTPR-025040R
400 x 2000 x 500			EUPN-002000	EUPL-040200		WTPR-025050R
400 x 2000 x 600			EUPN-002000	EUPL-040200		WTPR-025060R
400 x 2000 x 800			EUPN-002000	EUPL-040200		WTPR-025080R
400 x 2200 x 500			EUPN-002200	EUPL-040220		WTPR-025050R
400 x 2200 x 600			EUPN-002200	EUPL-040220		WTPR-025060R
400 x 2200 x 800			EUPN-002200	EUPL-040220		WTPR-025080R
600 x 1400 x 400			EUPN-001400	EUPL-060140	EUPI060140	WTPR-025040R
600 x 1400 x 500			EUPN-001400	EUPL-060140	EUPI060140	WTPR-025050R
600 x 1600 x 400			EUPN-001600	EUPL-060160	EUPI060160	WTPR-025040R
600 x 1600 x 500			EUPN-001600	EUPL-060160	EUPI060160	WTPR-025050R
600 x 1600 x 600			EUPN-001600	EUPL-060160	EUPI060160	WTPR-025060R
600 x 1800 x 400			EUPN-001800	EUPL-060180	EUPI060180	WTPR-025040R
600 x 1800 x 500			EUPN-001800	EUPL-060180	EUPI060180	WTPR-025050R
600 x 1800 x 600			EUPN-001800	EUPL-060180	EUPI060180	WTPR-025060R
600 x 1800 x 800			EUPN-001800	EUPL-060180	EUPI060180	WTPR-025080R
600 x 2000 x 400			EUPN-002000	EUPL-060200	EUPI060200	WTPR-025040R
600 x 2000 x 500			EUPN-002000	EUPL-060200	EUPI060200	WTPR-025050R
600 x 2000 x 600			EUPN-002000	EUPL-060200	EUPI060200	WTPR-025060R
600 x 2000 x 800			EUPN-002000	EUPL-060200	EUPI060200	WTPR-025080R
600 x 2000 x 1000			EUPN-002000	EUPL-060200	EUPI060200	WTPR-025100R
600 x 2200 x 500			EUPN-002200	EUPL-060220	EUPI060220	WTPR-025050R
600 x 2200 x 600			EUPN-002200	EUPL-060220	EUPI060220	WTPR-025060R
600 x 2200 x 800			EUPN-002200	EUPL-060220	EUPI060220	WTPR-025080R

(3) for the flat-pack version, see page 50

(4) supply includes cabinet frame, front door and rear panel. To be ordered separately plinth, side panels and eyebolts WTGS-001

(10) supply includes 4 pieces

ACCESSORIES TO COMPLETE THE CABINET

DIMENSIONS W x H x D	FRONT INSERTED MOUNTING PLATE (5)		SIDE PANELS (6)	PLINTH H=100		
	FRONT INSERTED MOUNTING PLATE (5)	FRONT INSERTED MOUNTING PLATE E NUX SIMPLEX (5)		UNIVERSAL CORNER PIECES (7)	FRONT/REAR CROSSPIECES (8)	SIDE CROSSPIECES (9)
800 x 1400 x 400	EUPA-080140		EUF1040140	EUZE-A100	EUZE-T0800	EUZE-T0400
800 x 1400 x 500	EUPA-080140		EUF1050140	EUZE-A100	EUZE-T0800	EUZE-T0500
800 x 1600 x 400	EUPA-080160		EUF1040160	EUZE-A100	EUZE-T0800	EUZE-T0400
800 x 1600 x 500	EUPA-080160		EUF1050160	EUZE-A100	EUZE-T0800	EUZE-T0500
800 x 1600 x 600	EUPA-080160		EUF1060160	EUZE-A100	EUZE-T0800	EUZE-T0600
800 x 1800 x 400	EUPA-080180	EUPA-080180L	EUF1040180	EUZE-A100	EUZE-T0800	EUZE-T0400
800 x 1800 x 500	EUPA-080180	EUPA-080180L	EUF1050180	EUZE-A100	EUZE-T0800	EUZE-T0500
800 x 1800 x 600	EUPA-080180	EUPA-080180L	EUF1060180	EUZE-A100	EUZE-T0800	EUZE-T0600
800 x 1800 x 800	EUPA-080180	EUPA-080180L	EUF1080180	EUZE-A100	EUZE-T0800	EUZE-T0800
800 x 2000 x 400	EUPA-080200	EUPA-080200L	EUF1040200	EUZE-A100	EUZE-T0800	EUZE-T0400
800 x 2000 x 500	EUPA-080200	EUPA-080200L	EUF1050200	EUZE-A100	EUZE-T0800	EUZE-T0500
800 x 2000 x 600	EUPA-080200	EUPA-080200L	EUF1060200	EUZE-A100	EUZE-T0800	EUZE-T0600
800 x 2000 x 800	EUPA-080200	EUPA-080200L	EUF1080200	EUZE-A100	EUZE-T0800	EUZE-T0800
800 x 2000 x 1000	EUPA-080200		EUF1100200	EUZE-A100	EUZE-T0800	EUZE-T1000
800 x 2200 x 500	EUPA-080220		EUF1050220	EUZE-A100	EUZE-T0800	EUZE-T0500
800 x 2200 x 600	EUPA-080220		EUF1060220	EUZE-A100	EUZE-T0800	EUZE-T0600
800 x 2200 x 800	EUPA-080220		EUF1080220	EUZE-A100	EUZE-T0800	EUZE-T0800
1000 x 1600 x 400	EUPA-100160		EUF1040160	EUZE-A100	EUZE-T1000	EUZE-T0400
1000 x 1600 x 500	EUPA-100160		EUF1050160	EUZE-A100	EUZE-T1000	EUZE-T0500
1000 x 1600 x 600	EUPA-100160		EUF1060160	EUZE-A100	EUZE-T1000	EUZE-T0600
1000 x 1800 x 400	EUPA-100180	EUPA-100180L	EUF1040180	EUZE-A100	EUZE-T1000	EUZE-T0400
1000 x 1800 x 500	EUPA-100180	EUPA-100180L	EUF1050180	EUZE-A100	EUZE-T1000	EUZE-T0500
1000 x 1800 x 600	EUPA-100180	EUPA-100180L	EUF1060180	EUZE-A100	EUZE-T1000	EUZE-T0600
1000 x 1800 x 800	EUPA-100180	EUPA-100180L	EUF1080180	EUZE-A100	EUZE-T1000	EUZE-T0800
1000 x 2000 x 400	EUPA-100200	EUPA-100200L	EUF1040200	EUZE-A100	EUZE-T1000	EUZE-T0400
1000 x 2000 x 500	EUPA-100200	EUPA-100200L	EUF1050200	EUZE-A100	EUZE-T1000	EUZE-T0500
1000 x 2000 x 600	EUPA-100200	EUPA-100200L	EUF1060200	EUZE-A100	EUZE-T1000	EUZE-T0600
1000 x 2000 x 800	EUPA-100200	EUPA-100200L	EUF1080200	EUZE-A100	EUZE-T1000	EUZE-T0800
1000 x 2200 x 500	EUPA-100220		EUF1050220	EUZE-A100	EUZE-T1000	EUZE-T0500
1000 x 2200 x 600	EUPA-100220		EUF1060220	EUZE-A100	EUZE-T1000	EUZE-T0600
1000 x 2200 x 800	EUPA-100220		EUF1080220	EUZE-A100	EUZE-T1000	EUZE-T0800

(5) to be ordered separately mounting accessories WTKB-002
 (6) supply includes 2 pieces
 (7) supply includes 4 pieces

(8) supply includes 2 pieces
 (9) supply includes 2 pieces

MAIN ACCESSORIES

IMAGES ARE ONLY INTENDED TO ILLUSTRATE THE PRODUCT



DIMENSIONS W x H x D	CABLE ENTRY MODULE FRONT OPENING (3) (4)	CABLE ENTRY MODULE SIDE OPENING W=200/300	INTERMEDIATE PLATE	SIDE INSERTED MOUNTING PLATE	INNER DOOR	FAST FIXING BRACKETS H=25 MM (10)
800 x 1400 x 400			EUPN-001400	EUPL-080140	EUPI080140	WTPR-025040R
800 x 1400 x 500			EUPN-001400	EUPL-080140	EUPI080140	WTPR-025050R
800 x 1600 x 400			EUPN-001600	EUPL-080160	EUPI080160	WTPR-025040R
800 x 1600 x 500			EUPN-001600	EUPL-080160	EUPI080160	WTPR-025050R
800 x 1600 x 600			EUPN-001600	EUPL-080160	EUPI080160	WTPR-025060R
800 x 1800 x 400			EUPN-001800	EUPL-080180	EUPI080180	WTPR-025040R
800 x 1800 x 500			EUPN-001800	EUPL-080180	EUPI080180	WTPR-025050R
800 x 1800 x 600			EUPN-001800	EUPL-080180	EUPI080180	WTPR-025060R
800 x 1800 x 800			EUPN-001800	EUPL-080180	EUPI080180	WTPR-025080R
800 x 2000 x 400			EUPN-002000	EUPL-080200	EUPI080200	WTPR-025040R
800 x 2000 x 500			EUPN-002000	EUPL-080200	EUPI080200	WTPR-025050R
800 x 2000 x 600			EUPN-002000	EUPL-080200	EUPI080200	WTPR-025060R
800 x 2000 x 800			EUPN-002000	EUPL-080200	EUPI080200	WTPR-025080R
800 x 2000 x 1000			EUPN-002000	EUPL-080200	EUPI080200	WTPR-025100R
800 x 2200 x 500			EUPN-002200	EUPL-080220	EUPI080220	WTPR-025050R
800 x 2200 x 600			EUPN-002200	EUPL-080220	EUPI080220	WTPR-025060R
800 x 2200 x 800			EUPN-002200	EUPL-080220	EUPI080220	WTPR-025080R
1000 x 1600 x 400			EUPN-001600	EUPL-100160	EUPI100160	WTPR-025040R
1000 x 1600 x 500			EUPN-001600	EUPL-100160	EUPI100160	WTPR-025050R
1000 x 1600 x 600			EUPN-001600	EUPL-100160	EUPI100160	WTPR-025060R
1000 x 1800 x 400			EUPN-001800	EUPL-100180	EUPI100180	WTPR-025040R
1000 x 1800 x 500			EUPN-001800	EUPL-100180	EUPI100180	WTPR-025050R
1000 x 1800 x 600			EUPN-001800	EUPL-100180	EUPI100180	WTPR-025060R
1000 x 1800 x 800			EUPN-001800	EUPL-100180	EUPI100180	WTPR-025080R
1000 x 2000 x 400			EUPN-002000	EUPL-100200	EUPI100200	WTPR-025040R
1000 x 2000 x 500			EUPN-002000	EUPL-100200	EUPI100200	WTPR-025050R
1000 x 2000 x 600			EUPN-002000	EUPL-100200	EUPI100200	WTPR-025060R
1000 x 2000 x 800			EUPN-002000	EUPL-100200	EUPI100200	WTPR-025080R
1000 x 2200 x 500			EUPN-002200	EUPL-100220	EUPI100220	WTPR-025050R
1000 x 2200 x 600			EUPN-002200	EUPL-100220	EUPI100220	WTPR-025060R
1000 x 2200 x 800			EUPN-002200	EUPL-100220	EUPI100220	WTPR-025080R

(3) for the flat-pack version, see page 50

(10) supply includes 4 pieces

(4) supply includes cabinet frame, front door and rear panel. To be ordered separately plinth, side panels and eyebolts WTGS-001

ACCESSORIES TO COMPLETE THE CABINET

DIMENSIONS W x H x D	FRONT INSERTED MOUNTING PLATE (5)		SIDE PANELS (6)	PLINTH H=100		
	FRONT INSERTED MOUNTING PLATE (5)	FRONT INSERTED MOUNTING PLATE E NUX SIMPLEX (5)		UNIVERSAL CORNER PIECES (7)	FRONT/REAR CROSSPIECES (8)	SIDE CROSSPIECES (9)
1200 x 1400 x 400	EUPA-120140		EUF1040140	EUZE-A100	EUZE-T1200	EUZE-T0400
1200 x 1400 x 500	EUPA-120140		EUF1050140	EUZE-A100	EUZE-T1200	EUZE-T0500
1200 x 1600 x 400	EUPA-120160		EUF1040160	EUZE-A100	EUZE-T1200	EUZE-T0400
1200 x 1600 x 500	EUPA-120160		EUF1050160	EUZE-A100	EUZE-T1200	EUZE-T0500
1200 x 1600 x 600	EUPA-120160		EUF1060160	EUZE-A100	EUZE-T1200	EUZE-T0600
1200 x 1800 x 400	EUPA-120180	EUPA-120180L	EUF1040180	EUZE-A100	EUZE-T1200	EUZE-T0400
1200 x 1800 x 500	EUPA-120180	EUPA-120180L	EUF1050180	EUZE-A100	EUZE-T1200	EUZE-T0500
1200 x 1800 x 600	EUPA-120180	EUPA-120180L	EUF1060180	EUZE-A100	EUZE-T1200	EUZE-T0600
1200 x 1800 x 800	EUPA-120180	EUPA-120180L	EUF1080180	EUZE-A100	EUZE-T1200	EUZE-T0800
1200 x 2000 x 400	EUPA-120200	EUPA-120200L	EUF1040200	EUZE-A100	EUZE-T1200	EUZE-T0400
1200 x 2000 x 500	EUPA-120200	EUPA-120200L	EUF1050200	EUZE-A100	EUZE-T1200	EUZE-T0500
1200 x 2000 x 600	EUPA-120200	EUPA-120200L	EUF1060200	EUZE-A100	EUZE-T1200	EUZE-T0600
1200 x 2000 x 800	EUPA-120200	EUPA-120200L	EUF1080200	EUZE-A100	EUZE-T1200	EUZE-T0800
1200 x 2000 x 1000	EUPA-120200		EUF1100200	EUZE-A100	EUZE-T1200	EUZE-T1000
1200 x 2200 x 500	EUPA-120220		EUF1050220	EUZE-A100	EUZE-T1200	EUZE-T0500
1200 x 2200 x 600	EUPA-120220		EUF1060220	EUZE-A100	EUZE-T1200	EUZE-T0600
1200 x 2200 x 800	EUPA-120220		EUF1080220	EUZE-A100	EUZE-T1200	EUZE-T0800
1400 x 2000 x 400	EUPA-140200		EUF1040200	EUZE-A100	EUZE-T1400	EUZE-T0400
1400 x 2000 x 500	EUPA-140200		EUF1050200	EUZE-A100	EUZE-T1400	EUZE-T0500
1400 x 2000 x 600	EUPA-140200		EUF1060200	EUZE-A100	EUZE-T1400	EUZE-T0600
1400 x 2000 x 800	EUPA-140200		EUF1080200	EUZE-A100	EUZE-T1400	EUZE-T0800
1600 x 1400 x 400	EUPA-160140		EUF1040140	EUZE-A100	EUZE-T1600	EUZE-T0400
1600 x 1400 x 500	EUPA-160140		EUF1050140	EUZE-A100	EUZE-T1600	EUZE-T0500
1600 x 2000 x 400	EUPA-160200		EUF1040200	EUZE-A100	EUZE-T1600	EUZE-T0400
1600 x 2000 x 500	EUPA-160200		EUF1050200	EUZE-A100	EUZE-T1600	EUZE-T0500
1600 x 2000 x 600	EUPA-160200		EUF1060200	EUZE-A100	EUZE-T1600	EUZE-T0600
1600 x 2000 x 800	EUPA-160200		EUF1080200	EUZE-A100	EUZE-T1600	EUZE-T0800

(5) to be ordered separately mounting accessories WTKB-002

(6) supply includes 2 pieces

(7) supply includes 4 pieces

(8) supply includes 2 pieces

(9) supply includes 2 pieces

MAIN ACCESSORIES

IMAGES ARE ONLY INTENDED TO ILLUSTRATE THE PRODUCT

DIMENSIONS W x H x D	CABLE ENTRY MODULE FRONT OPENING (3) (4)	CABLE ENTRY MODULE SIDE OPENING W=200/300	INTERMEDIATE PLATE	SIDE INSERTED MOUNTING PLATE	INNER DOOR	FAST FIXING BRACKETS H=25 MM (10)
1200 x 1400 x 400			EUPN-001400	EUPL-120140		WTPR-025040R
1200 x 1400 x 500			EUPN-001400	EUPL-120140		WTPR-025050R
1200 x 1600 x 400			EUPN-001600	EUPL-120160		WTPR-025040R
1200 x 1600 x 500			EUPN-001600	EUPL-120160		WTPR-025050R
1200 x 1600 x 600			EUPN-001600	EUPL-120160		WTPR-025060R
1200 x 1800 x 400			EUPN-001800	EUPL-120180		WTPR-025040R
1200 x 1800 x 500			EUPN-001800	EUPL-120180		WTPR-025050R
1200 x 1800 x 600			EUPN-001800	EUPL-120180		WTPR-025060R
1200 x 1800 x 800			EUPN-001800	EUPL-120180		WTPR-025080R
1200 x 2000 x 400			EUPN-002000	EUPL-120200		WTPR-025040R
1200 x 2000 x 500			EUPN-002000	EUPL-120200		WTPR-025050R
1200 x 2000 x 600			EUPN-002000	EUPL-120200		WTPR-025060R
1200 x 2000 x 800			EUPN-002000	EUPL-120200		WTPR-025080R
1200 x 2000 x 1000			EUPN-002000	EUPL-120200		WTPR-025100R
1200 x 2200 x 500			EUPN-002200	EUPL-120220		WTPR-025050R
1200 x 2200 x 600			EUPN-002200	EUPL-120220		WTPR-025060R
1200 x 2200 x 800			EUPN-002200	EUPL-120220		WTPR-025080R
1400 x 2000 x 400			EUPN-002000	EUPL-140200		WTPR-025040R
1400 x 2000 x 500			EUPN-002000	EUPL-140200		WTPR-025050R
1400 x 2000 x 600			EUPN-002000	EUPL-140200		WTPR-025060R
1400 x 2000 x 800			EUPN-002000	EUPL-140200		WTPR-025080R
1600 x 1400 x 400			EUPN-001400	EUPL-160140		WTPR-025040R
1600 x 1400 x 500			EUPN-001400	EUPL-160140		WTPR-025050R
1600 x 2000 x 400			EUPN-002000	EUPL-160200		WTPR-025040R
1600 x 2000 x 500			EUPN-002000	EUPL-160200		WTPR-025050R
1600 x 2000 x 600			EUPN-002000	EUPL-160200		WTPR-025060R
1600 x 2000 x 600			EUPN-002000	EUPL-160200		WTPR-025080R

(3) for the flat-pack version, see page 50

(10) supply includes 4 pieces

(4) supply includes cabinet frame, front door and rear panel. To be ordered separately plinth, side panels and eyebolts WTGS-001



Suite



E NUX accessories, see page 49

EUPA front inserted mounting plate, see page 52

EUFI side panels, see page 63

EUZE modular plinth, see page 65

WTGS-001 eyebolts, see page 74



RAL 5020



Pantone 2717U

CHARACTERISTICS

The profile used for uprights and crosspieces is unique, manufactured from high-strength low-alloy sheet steel, closed with continuous fiber laser welding and free of sharp edges. The bottom is a single piece with box-type structure manufactured from press-bent fiber laser-MIG hybrid welded profiles manufactured from high-strength low-alloy sheet steel. The frame corners are manufactured with orthogonal joints laser welded to vertical upright rails and horizontal rails for the roof and bottom. Only 8 high resistance screws are necessary to mount the structure, while two position pins allow the easy mounting of the two parts of the joint.

PAINT FINISH

ETA standard epoxy polyester powder coating.

- structure: RAL 7035 smooth finish
- door and rear panel: RAL 7035 textured finish
- roof: RAL 5020 textured finish.

ASSEMBLED E NUX CABINET

- structure manufactured from high-strength low-alloy sheet steel
- door manufactured from 2.0 mm thick sheet steel with stiffening frame, complete with \varnothing 3 mm lever-operated double bar locking system
- rear panel manufactured from sheet steel with rounded folding
- removable roof manufactured from sheet steel
- bottom manufactured from high-strength low-alloy sheet steel with adjustable cable entry (double cable entry for W=1000), complete with seal supplied separately.

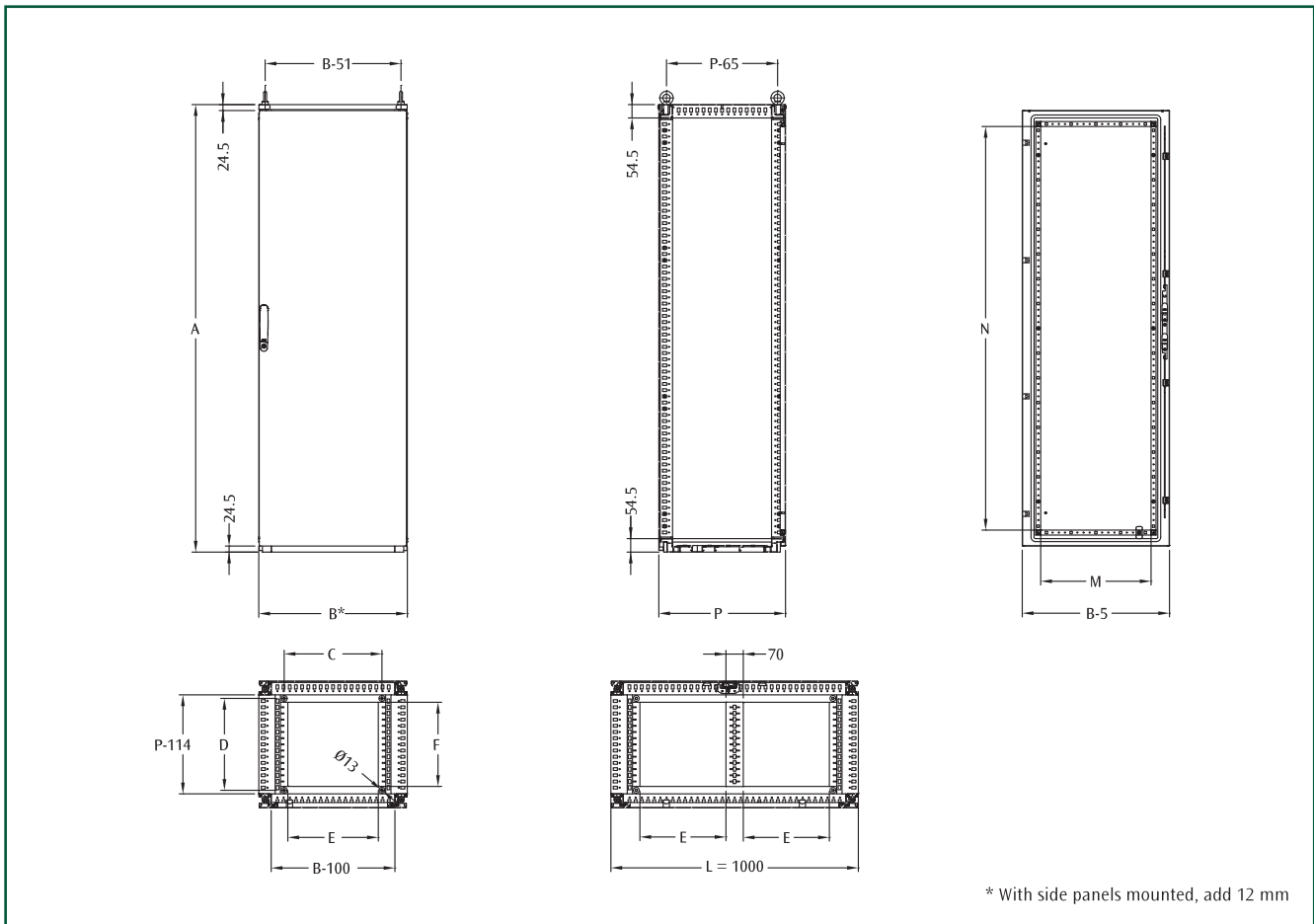
FLAT-PACK E NUX CABINET (ASSEMBLY WITH 8 SCREWS ONLY)

- composition to be assembled complying with customers requests
- panels and doors are supplied together with two vertical uprights complete with accessories.

PROTECTION RATING

- IP55 complying with IEC EN62208; EN60529
- NEMA 12 complying with UL508A; UL50
- protection degree guaranteed by the two-component polyurethane foam seal
- impact resistance IK10 complying with IEC EN62208; EN62202.

Note: for further information, see the Technical section page 307.



Note: for W=400, only stiffening vertical profiles.

Suite

DIMENSIONAL SPECIFICATIONS											
DIMENSIONS			CABINET DIMENSIONS			FLOOR FIXING		CABLE ENTRY		DOOR SPACE	
WIDTH	HEIGHT	DEPTH	B*	A	P	C	D	E	F	M	N
400	1600	400	400	1609	414	195	271	165	240	245	-
400	1600	500	400	1609	514	195	371	165	340	245	-
400	1600	600	400	1609	614	195	471	165	440	245	-
400	1800	400	400	1809	414	195	271	165	240	245	-
400	1800	500	400	1809	514	195	371	165	340	245	-
400	1800	600	400	1809	614	195	471	165	440	245	-
400	1800	800	400	1809	814	195	671	165	640	245	-
400	2000	400	400	2009	414	195	271	165	240	245	-
400	2000	500	400	2009	514	195	371	165	340	245	-
400	2000	600	400	2009	614	195	471	165	440	245	-
400	2000	800	400	2009	814	195	671	165	640	245	-
400	2200	500	400	2209	514	195	371	165	340	245	-
400	2200	600	400	2209	614	195	471	165	440	245	-
400	2200	800	400	2209	814	195	671	165	640	245	-
600	1400	400	600	1409	414	395	271	365	240	445	1230
600	1400	500	600	1409	514	395	371	365	340	445	1230
600	1600	400	600	1609	414	395	271	365	240	445	1430
600	1600	500	600	1609	514	395	371	365	340	445	1430
600	1600	600	600	1609	614	395	471	365	440	445	1430
600	1600	800	600	1609	814	395	671	365	640	445	1430
600	1800	400	600	1809	414	395	271	365	240	445	1630
600	1800	500	600	1809	514	395	371	365	340	445	1630
600	1800	600	600	1809	614	395	471	365	440	445	1630
600	1800	800	600	1809	814	395	671	365	640	445	1630
600	2000	400	600	2009	414	395	271	365	240	445	1830
600	2000	500	600	2009	514	395	371	365	340	445	1830
600	2000	600	600	2009	614	395	471	365	440	445	1830
600	2000	800	600	2009	814	395	671	365	640	445	1830
600	2000	1000	600	2009	1014	395	871	365	840	445	1830
600	2200	500	600	2209	514	395	371	365	340	445	2030
600	2200	600	600	2209	614	395	471	365	440	445	2030
600	2200	800	600	2209	814	395	671	365	640	445	2030
800	1400	400	800	1409	414	595	271	565	240	645	1230
800	1400	500	800	1409	514	595	371	565	340	645	1230
800	1600	400	800	1609	414	595	271	565	240	645	1430
800	1600	500	800	1609	514	595	371	565	340	645	1430
800	1600	600	800	1609	614	595	471	565	440	645	1430
800	1800	400	800	1809	414	595	271	565	240	645	1630
800	1800	500	800	1809	514	595	371	565	340	645	1630
800	1800	600	800	1809	614	595	471	565	440	645	1630
800	1800	800	800	1809	814	595	671	565	640	645	1630
800	2000	400	800	2009	414	595	271	565	240	645	1830
800	2000	500	800	2009	514	595	371	565	340	645	1830
800	2000	600	800	2009	614	595	471	565	440	645	1830
800	2000	800	800	2009	814	595	671	565	640	645	1830
800	2000	1000	800	2009	1014	595	871	565	840	645	1830
800	2200	500	800	2209	514	595	371	565	340	645	2030
800	2200	600	800	2209	614	595	471	565	440	645	2030
800	2200	800	800	2209	814	595	671	565	640	645	2030
1000	1600	400	1000	1609	414	795	271	347	240	845	1430
1000	1600	500	1000	1609	514	795	371	347	340	845	1430
1000	1600	600	1000	1609	614	795	471	347	440	845	1430
1000	1800	400	1000	1809	414	795	271	347	240	845	1630
1000	1800	500	1000	1809	514	795	371	347	340	845	1630
1000	1800	600	1000	1809	614	795	471	347	440	845	1630
1000	1800	800	1000	1809	814	795	671	347	640	845	1630
1000	2000	400	1000	2009	414	795	271	347	240	845	1830
1000	2000	500	1000	2009	514	795	371	347	340	845	1830
1000	2000	600	1000	2009	614	795	471	347	440	845	1830
1000	2000	800	1000	2009	814	795	671	347	640	845	1830
1000	2200	500	1000	2209	514	795	371	347	340	845	2030
1000	2200	600	1000	2209	614	795	471	347	440	845	2030
1000	2200	800	1000	2209	814	795	671	347	640	845	2030

400			CODES FOR ASSEMBLED CABINET		
CABINET DIMENSIONS			CABINET WITH FRONT BLANK DOOR	CABINET WITH FRONT BLANK DOOR	
WIDTH	HEIGHT	DEPTH	+ REAR PANEL	+ REAR DOOR	
400	1600	400	ENUX041604PR	ENUX041604DP	
400	1600	500	ENUX041605PR	ENUX041605DP	
400	1600	600	ENUX041606PR	ENUX041606DP	
400	1800	400	ENUX041804PR	ENUX041804DP	
400	1800	500	ENUX041805PR	ENUX041805DP	
400	1800	600	ENUX041806PR	ENUX041806DP	
400	1800	800	ENUX041808PR	ENUX041808DP	
400	2000	400	ENUX042004PR	ENUX042004DP	
400	2000	500	ENUX042005PR	ENUX042005DP	
400	2000	600	ENUX042006PR	ENUX042006DP	
400	2000	800	ENUX042008PR	ENUX042008DP	
400	2200	500	ENUX042205PR	ENUX042205DP	
400	2200	600	ENUX042206PR	ENUX042206DP	
400	2200	800	ENUX042208PR	ENUX042208DP	

400			CODES FOR FLAT-PACK CABINET		
CABINET DIMENSIONS			ROOF + BOTTOM	BLANK DOOR	REAR PANEL
WIDTH	HEIGHT	DEPTH		+ FRONT UPRIGHTS	+ REAR UPRIGHTS
400	1600	400	EUTF040040	EUPO040160	EURE040160
400	1600	500	EUTF040050	EUPO040160	EURE040160
400	1600	600	EUTF040060	EUPO040160	EURE040160
400	1800	400	EUTF040040	EUPO040180	EURE040180
400	1800	500	EUTF040050	EUPO040180	EURE040180
400	1800	600	EUTF040060	EUPO040180	EURE040180
400	1800	800	EUTF040080	EUPO040180	EURE040180
400	2000	400	EUTF040040	EUPO040200	EURE040200
400	2000	500	EUTF040050	EUPO040200	EURE040200
400	2000	600	EUTF040060	EUPO040200	EURE040200
400	2000	800	EUTF040080	EUPO040200	EURE040200
400	2200	500	EUTF040050	EUPO040220	EURE040220
400	2200	600	EUTF040060	EUPO040220	EURE040220
400	2200	800	EUTF040080	EUPO040220	EURE040220

Note: codes are referring to the version with roof and handle in RAL 5020. Available on demand in version Pantone 2717U; to order you have to add the suffix "A" to the code of the assembled cabinet (i.e.: ENUX041604PRA) or cabinet kit for roof + bottom and door (i.e.: EUTF040040A, EUPO040160A).

Suite

600			CODES FOR ASSEMBLED CABINET		
CABINET DIMENSIONS			CABINET WITH FRONT BLANK DOOR	CABINET WITH FRONT PLEXI DOOR	CABINET WITH FRONT BLANK DOOR
WIDTH	HEIGHT	DEPTH	+ REAR PANEL	+ REAR PANEL	+ REAR DOOR
600	1400	400	ENUX061404PR	ENUX061404PV	ENUX061404DP
600	1400	500	ENUX061405PR	ENUX061405PV	ENUX061405DP
600	1600	400	ENUX061604PR	ENUX061604PV	ENUX061604DP
600	1600	500	ENUX061605PR	ENUX061605PV	ENUX061605DP
600	1600	600	ENUX061606PR	ENUX061606PV	ENUX061606DP
600	1800	400	ENUX061804PR	ENUX061804PV	ENUX061804DP
600	1800	500	ENUX061805PR	ENUX061805PV	ENUX061805DP
600	1800	600	ENUX061806PR	ENUX061806PV	ENUX061806DP
600	1800	800	ENUX061808PR	ENUX061808PV	ENUX061808DP
600	2000	400	ENUX062004PR	ENUX062004PV	ENUX062004DP
600	2000	500	ENUX062005PR	ENUX062005PV	ENUX062005DP
600	2000	600	ENUX062006PR	ENUX062006PV	ENUX062006DP
600	2000	800	ENUX062008PR	ENUX062008PV	ENUX062008DP
600	2000	1000	ENUX062010PR	—	—
600	2200	500	ENUX062205PR	ENUX062205PV	ENUX062205DP
600	2200	600	ENUX062206PR	ENUX062206PV	ENUX062206DP
600	2200	800	ENUX062208PR	ENUX062208PV	ENUX062208DP

600			CODES FOR FLAT-PACK CABINET			
CABINET DIMENSIONS			ROOF + BOTTOM	BLANK DOOR	PLEXI DOOR	REAR PANEL
WIDTH	HEIGHT	DEPTH		+ FRONT UPRIGHTS	+ FRONT UPRIGHTS	+ REAR UPRIGHTS
600	1400	400	EUTF060040	EUP0060140	EUPV060140	EURE060140
600	1400	500	EUTF060050	EUP0060140	EUPV060140	EURE060140
600	1600	400	EUTF060040	EUP0060160	EUPV060160	EURE060160
600	1600	500	EUTF060050	EUP0060160	EUPV060160	EURE060160
600	1600	600	EUTF060060	EUP0060160	EUPV060160	EURE060160
600	1800	400	EUTF060040	EUP0060180	EUPV060180	EURE060180
600	1800	500	EUTF060050	EUP0060180	EUPV060180	EURE060180
600	1800	600	EUTF060060	EUP0060180	EUPV060180	EURE060180
600	1800	800	EUTF060080	EUP0060180	EUPV060180	EURE060180
600	2000	400	EUTF060040	EUP0060200	EUPV060200	EURE060200
600	2000	500	EUTF060050	EUP0060200	EUPV060200	EURE060200
600	2000	600	EUTF060060	EUP0060200	EUPV060200	EURE060200
600	2000	800	EUTF060080	EUP0060200	EUPV060200	EURE060200
600	2200	500	EUTF060050	EUP0060220	EUPV060220	EURE060220
600	2200	600	EUTF060060	EUP0060220	EUPV060220	EURE060220
600	2200	800	EUTF060080	EUP0060220	EUPV060220	EURE060220

Note: codes are referring to the version with roof and handle in RAL 5020. Available on demand in version Pantone 2717U; to order you have to add the suffix "A" to the code of the assembled cabinet (i.e.: ENUX061404PRA) or cabinet kit for roof + bottom and door (i.e.: EUTF060040A, EUP0060140A).

800			CODES FOR ASSEMBLED CABINET		
CABINET DIMENSIONS			CABINET WITH FRONT BLANK DOOR	CABINET WITH FRONT PLEXI DOOR	CABINET WITH FRONT BLANK DOOR
WIDTH	HEIGHT	DEPTH	+ REAR PANEL	+ REAR PANEL	+ REAR DOOR
800	1400	400	ENUX081404PR	ENUX081404PV	ENUX081404DP
800	1400	500	ENUX081405PR	ENUX081405PV	ENUX081405DP
800	1600	400	ENUX081604PR	ENUX081604PV	ENUX081604DP
800	1600	500	ENUX081605PR	ENUX081605PV	ENUX081605DP
800	1600	600	ENUX081606PR	ENUX081606PV	ENUX081606DP
800	1800	400	ENUX081804PR	ENUX081804PV	ENUX081804DP
800	1800	500	ENUX081805PR	ENUX081805PV	ENUX081805DP
800	1800	600	ENUX081806PR	ENUX081806PV	ENUX081806DP
800	1800	800	ENUX081808PR	ENUX081808PV	ENUX081808DP
800	2000	400	ENUX082004PR	ENUX082004PV	ENUX082004DP
800	2000	500	ENUX082005PR	ENUX082005PV	ENUX082005DP
800	2000	600	ENUX082006PR	ENUX082006PV	ENUX082006DP
800	2000	800	ENUX082008PR	ENUX082008PV	ENUX082008DP
800	2000	1000	ENUX082010PR	—	—
800	2200	500	ENUX082205PR	ENUX082205PV	ENUX082205DP
800	2200	600	ENUX082206PR	ENUX082206PV	ENUX082206DP
800	2200	800	ENUX082208PR	ENUX082208PV	ENUX082208DP

800			CODES FOR FLAT-PACK CABINET			
CABINET DIMENSIONS			ROOF + BOTTOM	BLANK DOOR	PLEXI DOOR	REAR PANEL
WIDTH	HEIGHT	DEPTH		+ FRONT UPRIGHTS	+ FRONT UPRIGHTS	+ REAR UPRIGHTS
800	1400	400	EUTF080040	EUP0080140	EUPV080140	EURE080140
800	1400	500	EUTF080050	EUP0080140	EUPV080140	EURE080140
800	1600	400	EUTF080040	EUP0080160	EUPV080160	EURE080160
800	1600	500	EUTF080050	EUP0080160	EUPV080160	EURE080160
800	1600	600	EUTF080060	EUP0080160	EUPV080160	EURE080160
800	1800	400	EUTF080040	EUP0080180	EUPV080180	EURE080180
800	1800	500	EUTF080050	EUP0080180	EUPV080180	EURE080180
800	1800	600	EUTF080060	EUP0080180	EUPV080180	EURE080180
800	1800	800	EUTF080080	EUP0080180	EUPV080180	EURE080180
800	2000	400	EUTF080040	EUP0080200	EUPV080200	EURE080200
800	2000	500	EUTF080050	EUP0080200	EUPV080200	EURE080200
800	2000	600	EUTF080060	EUP0080200	EUPV080200	EURE080200
800	2000	800	EUTF080080	EUP0080200	EUPV080200	EURE080200
800	2200	500	EUTF080050	EUP0080220	EUPV080220	EURE080220
800	2200	600	EUTF080060	EUP0080220	EUPV080220	EURE080220
800	2200	800	EUTF080080	EUP0080220	EUPV080220	EURE080220

Note: codes are referring to the version with roof and handle in RAL 5020. Available on demand in version Pantone 2717U; to order you have to add the suffix "A" to the code of the assembled cabinet (i.e.: ENUX081404PRA) or cabinet kit for roof + bottom and door (i.e.: EUTF080040A, EUP0080140A).

Suite

1000			CODES FOR ASSEMBLED CABINET		
CABINET DIMENSIONS			CABINET WITH FRONT BLANK DOOR	CABINET WITH FRONT PLEXI DOOR	CABINET WITH FRONT BLANK DOOR
WIDTH	HEIGHT	DEPTH	+ REAR PANEL	+ REAR PANEL	+ REAR DOOR
1000	1600	400	ENUX101604PR	ENUX101604PV	ENUX101604DP
1000	1600	500	ENUX101605PR	ENUX101605PV	ENUX101605DP
1000	1600	600	ENUX101606PR	ENUX101606PV	ENUX101606DP
1000	1800	400	ENUX101804PR	ENUX101804PV	ENUX101804DP
1000	1800	500	ENUX101805PR	ENUX101805PV	ENUX101805DP
1000	1800	600	ENUX101806PR	ENUX101806PV	ENUX101806DP
1000	1800	800	ENUX101808PR	ENUX101808PV	ENUX101808DP
1000	2000	400	ENUX102004PR	ENUX102004PV	ENUX102004DP
1000	2000	500	ENUX102005PR	ENUX102005PV	ENUX102005DP
1000	2000	600	ENUX102006PR	ENUX102006PV	ENUX102006DP
1000	2000	800	ENUX102008PR	ENUX102008PV	ENUX102008DP
1000	2200	500	ENUX102205PR	ENUX102205PV	ENUX102205DP
1000	2200	600	ENUX102206PR	ENUX102206PV	ENUX102206DP
1000	2200	800	ENUX102208PR	ENUX102208PV	ENUX102208DP

1000			CODES FOR FLAT-PACK CABINET				
CABINET DIMENSIONS			ROOF + BOTTOM	BLANK DOOR W=1000* + FRONT UPRIGHTS	*OR DOUBLE DOOR 500+500	PLEXI DOOR + FRONT UPRIGHTS	REAR PANEL + REAR UPRIGHTS
WIDTH	HEIGHT	DEPTH					
1000	1600	400	EUTF100040	EUPO100160	EUPO100160DP	EUPV100160	EURE100160
1000	1600	500	EUTF100050	EUPO100160	EUPO100160DP	EUPV100160	EURE100160
1000	1600	600	EUTF100060	EUPO100160	EUPO100160DP	EUPV100160	EURE100160
1000	1800	400	EUTF100040	EUPO100180	EUPO100180DP	EUPV100180	EURE100180
1000	1800	500	EUTF100050	EUPO100180	EUPO100180DP	EUPV100180	EURE100180
1000	1800	600	EUTF100060	EUPO100180	EUPO100180DP	EUPV100180	EURE100180
1000	1800	800	EUTF100080	EUPO100180	EUPO100180DP	EUPV100180	EURE100180
1000	2000	400	EUTF100040	EUPO100200	EUPO100200DP	EUPV100200	EURE100200
1000	2000	500	EUTF100050	EUPO100200	EUPO100200DP	EUPV100200	EURE100200
1000	2000	600	EUTF100060	EUPO100200	EUPO100200DP	EUPV100200	EURE100200
1000	2000	800	EUTF100080	EUPO100200	EUPO100200DP	EUPV100200	EURE100200
1000	2200	500	EUTF100050	EUPO100220	EUPO100220DP	EUPV100220	EURE100220
1000	2200	600	EUTF100060	EUPO100220	EUPO100220DP	EUPV100220	EURE100220
1000	2200	800	EUTF100080	EUPO100220	EUPO100220DP	EUPV100220	EURE100220

Note: codes are referring to the version with roof and handle in RAL 5020. Available on demand in version Pantone 2717U; to order you have to add the suffix "A" to the code of the assembled cabinet (i.e.: ENUX101604PRA) or cabinet kit for roof + bottom and door (i.e.: EUTF100040A, EUPO100160A).





Suite



E NUX accessories, see page 49

EUPA front inserted mounting plate, see page 52

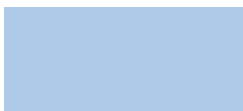
EUFI side panels, see page 63

EUZE modular plinth, see page 65

WTGS-001 eyebolts, see page 74



RAL 5020



Pantone 2717U

CHARACTERISTICS

The profile used for uprights and crosspieces is unique, manufactured from high-strength low-alloy sheet steel, closed with continuous fiber laser welding and free of sharp edges. The bottom is a single piece with box-type structure manufactured from press-bent fiber laser-MIG hybrid welded profiles of high-strength low-alloy sheet steel and an integrated central partition crosspiece. The frame corners are manufactured with orthogonal joints laser welded to vertical upright rails and horizontal rails for the roof and bottom. Only 8 high resistance screws are necessary to mount the structure, while two position pins allow the easy mounting of the two parts of the joint.

PAINT FINISH

ETA standard epoxy polyester powder coating.

- structure: RAL 7035 smooth finish
- doors and rear panel: RAL 7035 textured finish
- roof: RAL 5020 textured finish.

ASSEMBLED E NUX CABINET

- structure manufactured from high-strength low-alloy sheet steel
- door manufactured from 2.0 mm thick sheet steel with stiffening frame, complete with \varnothing 3 mm lever-operated double bar locking system
- rear panel manufactured from sheet steel with rounded folding
- removable roof manufactured from sheet steel
- bottom manufactured from high-strength low-alloy sheet steel with adjustable double cable entry, complete with seal supplied separately.

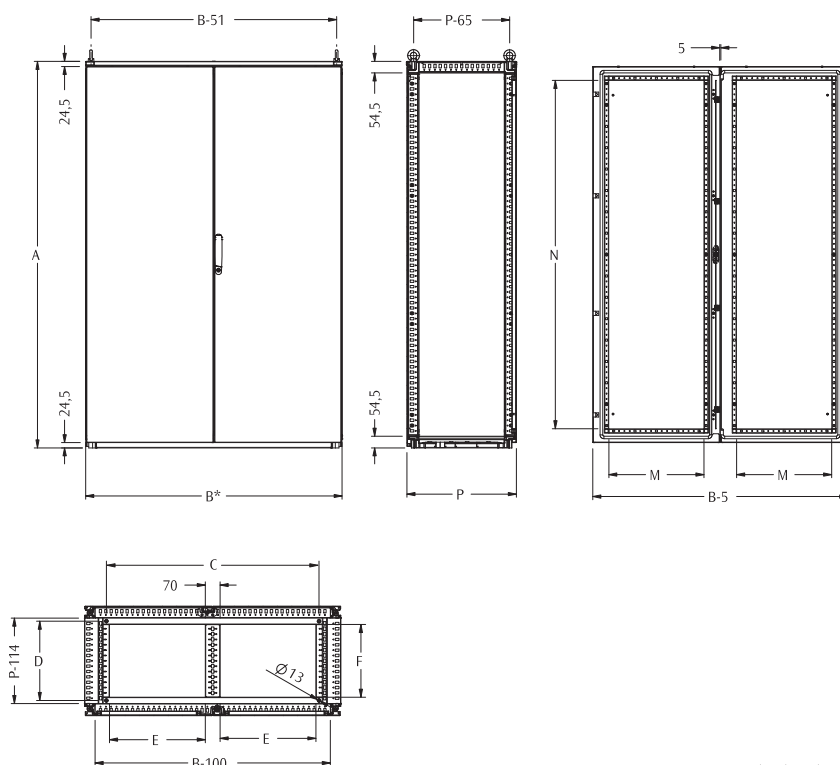
**FLAT-PACK E NUX CABINET
(ASSEMBLY WITH 8 SCREWS ONLY)**

- composition to be assembled complying with customers requests
- panels and doors are supplied together with two vertical uprights complete with accessories.

PROTECTION RATING

- IP55 complying with IEC EN62208; EN60529
- NEMA 12 complying with UL508A; UL50
- protection degree guaranteed by the two-component polyurethane foam seal
- impact resistance IK10 complying with IEC EN62208; EN62202.

Note: for further information, see the Technical section page 307.



* With side panels mounted, add 12 mm

DIMENSIONAL SPECIFICATIONS

DIMENSIONS			CABINET DIMENSIONS			FLOOR FIXING		CABLE ENTRY		DOOR SPACE	
WIDTH	HEIGHT	DEPTH	B*	A	P	C	D	E	F	M	N
1200	1400	400	1200	1409	414	995	271	447	240	445	1230
1200	1400	500	1200	1409	514	995	371	447	340	445	1230
1200	1600	400	1200	1609	414	995	271	447	240	445	1430
1200	1600	500	1200	1609	514	995	371	447	340	445	1430
1200	1600	600	1200	1609	614	995	471	447	440	445	1430
1200	1800	400	1200	1809	414	995	271	447	240	445	1630
1200	1800	500	1200	1809	514	995	371	447	340	445	1630
1200	1800	600	1200	1809	614	995	471	447	440	445	1630
1200	1800	800	1200	1809	814	995	671	447	640	445	1630
1200	2000	400	1200	2009	414	995	271	447	240	445	1830
1200	2000	500	1200	2009	514	995	371	447	340	445	1830
1200	2000	600	1200	2009	614	995	471	447	440	445	1830
1200	2000	800	1200	2009	814	995	671	447	640	445	1830
1200	2000	1000	1200	2009	1014	995	871	447	840	445	1830
1200	2200	500	1200	2209	514	995	371	447	340	445	2030
1200	2200	600	1200	2209	614	995	471	447	440	445	2030
1200	2200	800	1200	2209	814	995	671	447	640	445	2030
1400	2000	400	1400	2009	414	1195	271	547	240	545	1830
1400	2000	500	1400	2009	514	1195	371	547	340	545	1830
1400	2000	600	1400	2009	614	1195	471	547	440	545	1830
1400	2000	800	1400	2009	814	1195	671	547	640	545	1830
1600	1400	400	1600	1409	414	1395	271	647	240	645	1230
1600	1400	500	1600	1409	514	1395	371	647	340	645	1230
1600	2000	400	1600	2009	414	1395	271	647	240	645	1830
1600	2000	500	1600	2009	514	1395	371	647	340	645	1830
1600	2000	600	1600	2009	614	1395	471	647	440	645	1830
1600	2000	800	1600	2009	814	1395	671	647	640	645	1830

Suite

1200			CODES FOR ASSEMBLED CABINET		
CABINET DIMENSIONS			CABINET WITH FRONT BLANK DOORS 600+600	CABINET WITH FRONT BLANK DOORS 600+600	
WIDTH	HEIGHT	DEPTH	+ REAR PANEL	+ REAR DOORS 600+600	
1200	1400	400	ENUX121404PR	ENUX121404DP	
1200	1400	500	ENUX121405PR	ENUX121405DP	
1200	1600	400	ENUX121604PR	ENUX121604DP	
1200	1600	500	ENUX121605PR	ENUX121605DP	
1200	1600	600	ENUX121606PR	ENUX121606DP	
1200	1800	400	ENUX121804PR	ENUX121804DP	
1200	1800	500	ENUX121805PR	ENUX121805DP	
1200	1800	600	ENUX121806PR	ENUX121806DP	
1200	1800	800	ENUX121808PR	ENUX121808DP	
1200	2000	400	ENUX122004PR	ENUX122004DP	
1200	2000	500	ENUX122005PR	ENUX122005DP	
1200	2000	600	ENUX122006PR	ENUX122006DP	
1200	2000	800	ENUX122008PR	ENUX122008DP	
1200	2000	1000	ENUX122010PR	---	
1200	2200	500	ENUX122205PR	ENUX122205DP	
1200	2200	600	ENUX122206PR	ENUX122206DP	
1200	2200	800	ENUX122208PR	ENUX122208DP	

1200			CODES FOR FLAT-PACK CABINET		
CABINET DIMENSIONS			ROOF + BOTTOM	DOUBLE BLANK DOORS 600+600	REAR PANEL
WIDTH	HEIGHT	DEPTH		+ FRONT UPRIGHTS	+ REAR UPRIGHTS
1200	1400	400	EUTF120040	EUP0120140	EURE120140
1200	1400	500	EUTF120050	EUP0120140	EURE120140
1200	1600	400	EUTF120040	EUP0120160	EURE120160
1200	1600	500	EUTF120050	EUP0120160	EURE120160
1200	1600	600	EUTF120060	EUP0120160	EURE120160
1200	1800	400	EUTF120040	EUP0120180	EURE120180
1200	1800	500	EUTF120050	EUP0120180	EURE120180
1200	1800	600	EUTF120060	EUP0120180	EURE120180
1200	1800	800	EUTF120080	EUP0120180	EURE120180
1200	2000	400	EUTF120040	EUP0120200	EURE120200
1200	2000	500	EUTF120050	EUP0120200	EURE120200
1200	2000	600	EUTF120060	EUP0120200	EURE120200
1200	2000	800	EUTF120080	EUP0120200	EURE120200
1200	2200	500	EUTF120050	EUP0120220	EURE120220
1200	2200	600	EUTF120060	EUP0120220	EURE120220
1200	2200	800	EUTF120080	EUP0120220	EURE120220

1400			CODES FOR ASSEMBLED CABINET		
CABINET DIMENSIONS			CABINET WITH FRONT BLANK DOORS 700+700	CABINET WITH FRONT BLANK DOORS 700+700	
WIDTH	HEIGHT	DEPTH	+ REAR PANEL	+ REAR DOORS 700+700	
1400	2000	400	ENUX142004PR	ENUX142004DP	
1400	2000	500	ENUX142005PR	ENUX142005DP	
1400	2000	600	ENUX142006PR	ENUX142006DP	
1400	2000	800	ENUX142008PR	ENUX142008DP	

1400			CODES FOR FLAT-PACK CABINET		
CABINET DIMENSIONS			ROOF + BOTTOM	DOUBLE BLANK DOORS 700+700	REAR PANEL
WIDTH	HEIGHT	DEPTH		+ FRONT UPRIGHTS	+ REAR UPRIGHTS
1400	2000	400	EUTF140040	EUP0140200	EURE140200
1400	2000	500	EUTF140050	EUP0140200	EURE140200
1400	2000	600	EUTF140060	EUP0140200	EURE140200
1400	2000	800	EUTF140080	EUP0140200	EURE140200

1600			CODES FOR ASSEMBLED CABINET		
CABINET DIMENSIONS			CABINET WITH FRONT BLANK DOORS 800+800	CABINET WITH FRONT BLANK DOORS 800+800	
WIDTH	HEIGHT	DEPTH	+ REAR PANEL	+ REAR DOORS 800+800	
1600	1400	400	ENUX161404PR	ENUX161404DP	
1600	1400	500	ENUX161405PR	ENUX161405DP	
1600	2000	400	ENUX162004PR	ENUX162004DP	
1600	2000	500	ENUX162005PR	ENUX162005DP	
1600	2000	600	ENUX162006PR	ENUX162006DP	
1600	2000	800	ENUX162008PR	ENUX162008DP	

1600			CODES FOR FLAT-PACK CABINET		
CABINET DIMENSIONS			ROOF + BOTTOM	DOUBLE BLANK DOORS 800+800	REAR PANEL
WIDTH	HEIGHT	DEPTH		+ FRONT UPRIGHTS	+ REAR UPRIGHTS
1600	1400	400	EUTF160040	EUP0160140	EURE160140
1600	1400	500	EUTF160050	EUP0160140	EURE160140
1600	2000	400	EUTF160040	EUP0160200	EURE160200
1600	2000	500	EUTF160050	EUP0160200	EURE160200
1600	2000	600	EUTF160060	EUP0160200	EURE160200
1600	2000	800	EUTF160080	EUP0160200	EURE160200

Note: codes are referring to the version with roof and handle in RAL 5020. Available on demand in version Pantone 2717U; to order you have to add the suffix "A" to the code of the assembled cabinet (i.e.: ENUX121404PRA) or cabinet kit for roof + bottom and door (i.e.: EUTF120040A, EUP0120140A).



Suite



CHARACTERISTICS

The profile used for uprights and crosspieces is unique, manufactured from high-strength low-alloy sheet steel, closed with continuous fiber laser welding and free of sharp edges. The bottom is a single piece with box-type structure manufactured from press-bent fiber laser-MIG hybrid welded profiles of high-strength low-alloy sheet steel. The frame corners are manufactured with orthogonal joints laser welded to vertical upright rails and horizontal rails for the roof and bottom. Only 8 high resistance screws are necessary to mount the structure, while two position pins allow the easy mounting of the two parts of the joint.

PAINT FINISH

- ETA standard epoxy polyester powder coating.
- structure: RAL 7035 smooth finish
- door and rear panel: RAL 7035 textured finish
- roof: RAL 5020 textured finish.

ASSEMBLED E NUX SIMPLEX CABINET

- structure manufactured from high-strength low-alloy sheet steel
- door manufactured from 1.5 mm thick sheet steel with stiffening frame, complete with ø 3mm lever-operated double bar locking system
- rear panel manufactured from sheet steel with rounded folding
- removable roof manufactured from sheet steel
- bottom manufactured from high-strength low-alloy sheet steel with adjustable cable entry (double cable entry for W=1000), complete with seal supplied separately.

FLAT-PACK E NUX SIMPLEX CABINET (ASSEMBLY WITH 8 SCREWS ONLY)

- composition to be assembled complying with customers requests
- panels and doors are supplied together with two vertical uprights complete with accessories.

PROTECTION RATING

- IP55 complying with IEC EN62208; EN60529
- NEMA 12 complying with UL508A; UL50
- protection degree guaranteed by the two-component polyurethane foam seal
- impact resistance IK10 complying with IEC EN62208; EN62202.

Note: for further information, see the Technical section page 307.

Note: manufactured upon request.



E NUX accessories, see page 49

EUPA SIMPLEX front inserted mounting plate, see page 54

EUFI side panels, see page 63

EUZE modular plinth, see page 65

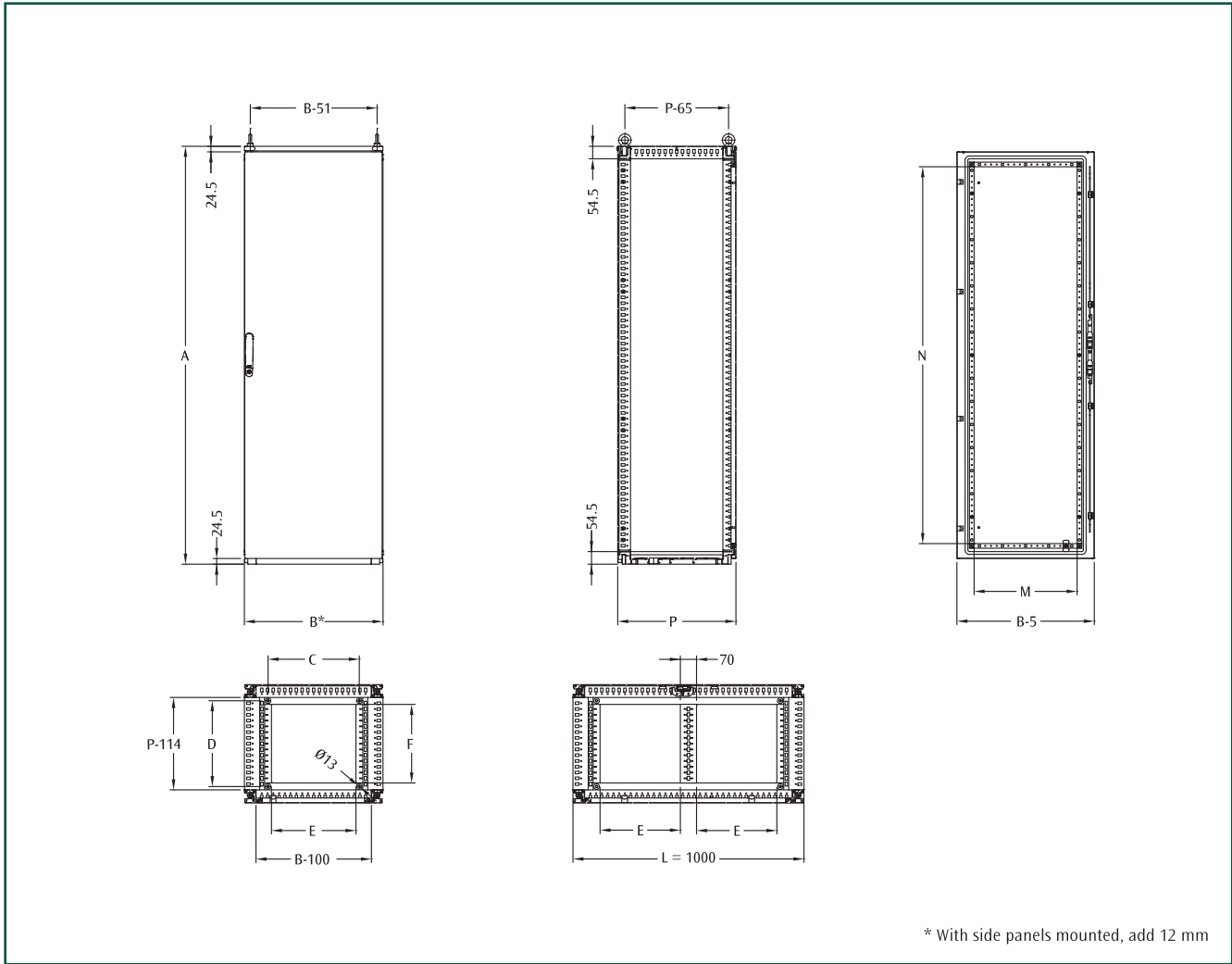
WTGS-001 eyebolts, see page 74



RAL 5020



Pantone 2717U



DIMENSIONAL SPECIFICATIONS

DIMENSIONS			CABINET DIMENSIONS			FLOOR FIXING		CABLE ENTRY		DOOR SPACE	
WIDTH	HEIGHT	DEPTH	B*	A	P	C	D	E	F	M	N
600	1800	400	600	1809	414	395	271	365	240	445	1630
600	1800	500	600	1809	514	395	371	365	340	445	1630
600	1800	600	600	1809	614	395	471	365	440	445	1630
600	1800	800	600	1809	814	395	671	365	640	445	1630
600	2000	400	600	2009	414	395	271	365	240	445	1830
600	2000	500	600	2009	514	395	371	365	340	445	1830
600	2000	600	600	2009	614	395	471	365	440	445	1830
600	2000	800	600	2009	814	395	671	365	640	445	1830
800	1800	400	800	1809	414	595	271	565	240	645	1630
800	1800	500	800	1809	514	595	371	565	340	645	1630
800	1800	600	800	1809	614	595	471	565	440	645	1630
800	1800	800	800	1809	814	595	671	565	640	645	1630
800	2000	400	800	2009	414	595	271	565	240	645	1830
800	2000	500	800	2009	514	595	371	565	340	645	1830
800	2000	600	800	2009	614	595	471	565	440	645	1830
800	2000	800	800	2009	814	595	671	565	640	645	1830
1000	1800	400	1000	1809	414	795	271	347	240	845	1630
1000	1800	500	1000	1809	514	795	371	347	340	845	1630
1000	1800	600	1000	1809	614	795	471	347	440	845	1630
1000	1800	800	1000	1809	814	795	671	347	640	845	1630
1000	2000	400	1000	2009	414	795	271	347	240	845	1830
1000	2000	500	1000	2009	514	795	371	347	340	845	1830
1000	2000	600	1000	2009	614	795	471	347	440	845	1830
1000	2000	800	1000	2009	814	795	671	347	640	845	1830

Suite

600			CODES FOR ASSEMBLED CABINET		
CABINET DIMENSIONS			CABINET WITH FRONT BLANK DOOR	CABINET WITH FRONT BLANK DOOR	
WIDTH	HEIGHT	DEPTH	+ REAR PANEL	+ REAR DOOR	
600	1800	400	ENUX061804PRL	ENUX061804DPL	
600	1800	500	ENUX061805PRL	ENUX061805DPL	
600	1800	600	ENUX061806PRL	ENUX061806DPL	
600	1800	800	ENUX061808PRL	ENUX061808DPL	
600	2000	400	ENUX062004PRL	ENUX062004DPL	
600	2000	500	ENUX062005PRL	ENUX062005DPL	
600	2000	600	ENUX062006PRL	ENUX062006DPL	
600	2000	800	ENUX062008PRL	ENUX062008DPL	

600			CODES FOR FLAT-PACK CABINET		
CABINET DIMENSIONS			ROOF + BOTTOM	BLANK DOOR	REAR PANEL
WIDTH	HEIGHT	DEPTH		+ FRONT UPRIGHTS	+ REAR UPRIGHTS
600	1800	400	EUTF060040	EUPO060180L	EURE060180
600	1800	500	EUTF060050	EUPO060180L	EURE060180
600	1800	600	EUTF060060	EUPO060180L	EURE060180
600	1800	800	EUTF060080	EUPO060180L	EURE060180
600	2000	400	EUTF060040	EUPO060200L	EURE060200
600	2000	500	EUTF060050	EUPO060200L	EURE060200
600	2000	600	EUTF060060	EUPO060200L	EURE060200
600	2000	800	EUTF060080	EUPO060200L	EURE060200

800			CODES FOR ASSEMBLED CABINET		
CABINET DIMENSIONS			CABINET WITH FRONT BLANK DOOR	CABINET WITH FRONT BLANK DOOR	
WIDTH	HEIGHT	DEPTH	+ REAR PANEL	+ REAR DOOR	
800	1800	400	ENUX081804PRL	ENUX081804DPL	
800	1800	500	ENUX081805PRL	ENUX081805DPL	
800	1800	600	ENUX081806PRL	ENUX081806DPL	
800	1800	800	ENUX081808PRL	ENUX081808DPL	
800	2000	400	ENUX082004PRL	ENUX082004DPL	
800	2000	500	ENUX082005PRL	ENUX082005DPL	
800	2000	600	ENUX082006PRL	ENUX082006DPL	
800	2000	800	ENUX082008PRL	ENUX082008DPL	

800			CODES FOR FLAT-PACK CABINET		
CABINET DIMENSIONS			ROOF + BOTTOM	BLANK DOOR	REAR PANEL
WIDTH	HEIGHT	DEPTH		+ FRONT UPRIGHTS	+ REAR UPRIGHTS
800	1800	400	EUTF080040	EUPO080180L	EURE080180
800	1800	500	EUTF080050	EUPO080180L	EURE080180
800	1800	600	EUTF080060	EUPO080180L	EURE080180
800	1800	800	EUTF080080	EUPO080180L	EURE080180
800	2000	400	EUTF080040	EUPO080200L	EURE080200
800	2000	500	EUTF080050	EUPO080200L	EURE080200
800	2000	600	EUTF080060	EUPO080200L	EURE080200
800	2000	800	EUTF080080	EUPO080200L	EURE080200

1000			CODES FOR ASSEMBLED CABINET		
CABINET DIMENSIONS			CABINET WITH FRONT BLANK DOOR + REAR PANEL	CABINET WITH FRONT BLANK DOOR + REAR DOOR	
WIDTH	HEIGHT	DEPTH			
1000	1800	400	ENUX101804PRL		ENUX101804DPL
1000	1800	500	ENUX101805PRL		ENUX101805DPL
1000	1800	600	ENUX101806PRL		ENUX101806DPL
1000	1800	800	ENUX101808PRL		ENUX101808DPL
1000	2000	400	ENUX102004PRL		ENUX102004DPL
1000	2000	500	ENUX102005PRL		ENUX102005DPL
1000	2000	600	ENUX102006PRL		ENUX102006DPL
1000	2000	800	ENUX102008PRL		ENUX102008DPL

1000			CODES FOR FLAT-PACK CABINET		
CABINET DIMENSIONS			ROOF + BOTTOM	BLANK DOOR + FRONT UPRIGHTS	REAR PANEL + REAR UPRIGHTS
WIDTH	HEIGHT	DEPTH			
1000	1800	400	EUTF100040	EUPO100180L	EURE100180
1000	1800	500	EUTF100050	EUPO100180L	EURE100180
1000	1800	600	EUTF100060	EUPO100180L	EURE100180
1000	1800	800	EUTF100080	EUPO100180L	EURE100180
1000	2000	400	EUTF100040	EUPO100200L	EURE100200
1000	2000	500	EUTF100050	EUPO100200L	EURE100200
1000	2000	600	EUTF100060	EUPO100200L	EURE100200
1000	2000	800	EUTF100080	EUPO100200L	EURE100200

Note: codes are referring to the version with roof and handle in RAL 5020. Available on demand in version Pantone 2717U; to order you have to add the suffix "A" to the code of the assembled cabinet (i.e.: ENUX061804PRLA) or cabinet kit for roof + bottom and door (i.e.: EUTF060040A, EUPO060180LA).



Suite



CHARACTERISTICS

The profile used for uprights and crosspieces is unique, manufactured from high-strength low-alloy sheet steel, closed with continuous fiber laser welding and free of sharp edges. The bottom is a single piece with box-type structure manufactured from press-bent fiber laser-MIG hybrid welded profiles of high-strength low-alloy sheet steel and an integrated central partition crosspiece. The frame corners are manufactured with orthogonal joints laser welded to vertical upright rails and horizontal rails for the roof and bottom. Only 8 high resistance screws are necessary to mount the structure, while two position pins allow the easy mounting of the two parts of the joint.

PAINT FINISH

- ETA standard epoxy polyester powder coating.
- structure: RAL 7035 smooth finish
- doors and rear panel: RAL 7035 textured finish
- roof: RAL 5020 textured finish.

ASSEMBLED E NUX SIMPLEX CABINET

- structure manufactured from high-strength low-alloy sheet steel
- door manufactured from 1.5 mm thick sheet steel with stiffening frame, complete with ø 3mm lever-operated double bar locking system
- rear panel manufactured from sheet steel with rounded folding
- removable roof manufactured from sheet steel
- bottom manufactured from high-strength low-alloy sheet steel with double adjustable cable entry, complete with seal supplied separately.

FLAT-PACK E NUX SIMPLEX CABINET (ASSEMBLY WITH 8 SCREWS ONLY)

- composition to be assembled complying with customers requests
- panels and doors are supplied together with two vertical uprights complete with accessories.

PROTECTION RATING

- IP55 complying with IEC EN62208; EN60529
- NEMA 12 complying with UL508A; UL50
- protection degree guaranteed by the two-component polyurethane foam seal
- impact resistance IK10 complying with IEC EN62208; EN62202.

Note: for further information, see the Technical section page 307.

Note: manufactured upon request.



E NUX accessories, see page 49

EUPA SIMPLEX front inserted mounting plate, see page 54

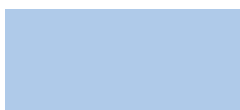
EUFI side panels, see page 63

EUZE modular plinth, see page 65

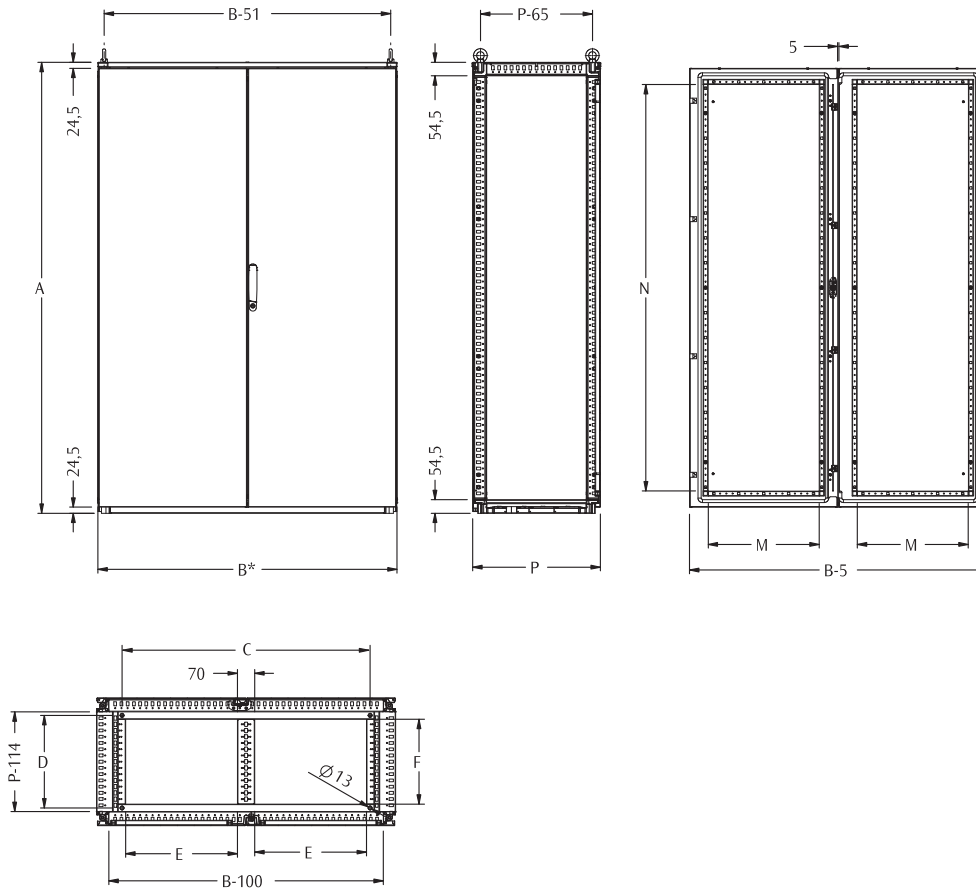
WTGS-001 eyebolts, see page 74



RAL 5020



Pantone 2717U



* With side panels mounted, add 12 mm

DIMENSIONAL SPECIFICATIONS

DIMENSIONS			CABINET DIMENSIONS			FLOOR FIXING		CABLE ENTRY		DOOR SPACE	
WIDTH	HEIGHT	DEPTH	B*	A	P	C	D	E	F	M	N
1200	1800	400	1200	1809	414	995	271	447	240	445	1630
1200	1800	500	1200	1809	514	995	371	447	340	445	1630
1200	1800	600	1200	1809	614	995	471	447	440	445	1630
1200	1800	800	1200	1809	814	995	671	447	640	445	1630
1200	2000	400	1200	2009	414	995	271	447	240	445	1830
1200	2000	500	1200	2009	514	995	371	447	340	445	1830
1200	2000	600	1200	2009	614	995	471	447	440	445	1830
1200	2000	800	1200	2009	814	995	671	447	640	445	1830

Suite

1200			CODES FOR ASSEMBLED CABINET		
CABINET DIMENSIONS			CABINET WITH FRONT BLANK DOORS 600+600 + REAR PANEL	CABINET WITH FRONT BLANK DOORS 600+600 + REAR DOORS 600+600	
WIDTH	HEIGHT	DEPTH			
1200	1800	400	ENUX121804PRL		ENUX121804DPL
1200	1800	500	ENUX121805PRL		ENUX121805DPL
1200	1800	600	ENUX121806PRL		ENUX121806DPL
1200	1800	800	ENUX121808PRL		ENUX121808DPL
1200	2000	400	ENUX122004PRL		ENUX122004DPL
1200	2000	500	ENUX122005PRL		ENUX122005DPL
1200	2000	600	ENUX122006PRL		ENUX122006DPL
1200	2000	800	ENUX122008PRL		ENUX122008DPL

1200			CODES FOR FLAT-PACK CABINET		
CABINET DIMENSIONS			ROOF + BOTTOM	DOUBLE BLANK DOORS 600+600 + FRONT UPRIGHTS	REAR PANEL + REAR UPRIGHTS
WIDTH	HEIGHT	DEPTH			
1200	1800	400	EUTF120040	EUP0120180L	EURE120180
1200	1800	500	EUTF120050	EUP0120180L	EURE120180
1200	1800	600	EUTF120060	EUP0120180L	EURE120180
1200	1800	800	EUTF120080	EUP0120180L	EURE120180
1200	2000	400	EUTF120040	EUP0120200L	EURE120200
1200	2000	500	EUTF120050	EUP0120200L	EURE120200
1200	2000	600	EUTF120060	EUP0120200L	EURE120200
1200	2000	800	EUTF120080	EUP0120200L	EURE120200

Note: codes are referring to the version with roof and handle in RAL 5020. Available on demand in version Pantone 2717U; to order you have to add the suffix "A" to the code of the assembled cabinet (i.e.: ENUX121804PRLA) or cabinet kit for roof + bottom and door (i.e.: EUTF120040A, EUP0120180LA).

CABLE ENTRY MODULE SIDE OPENING EURP

To be positioned at the end of a cabinet suite for protecting cable and connector systems. Lateral access.

CHARACTERISTICS/SUPPLY

- structure manufactured from 1.5 mm thick press bent and welded sheet steel
- door manufactured from 2.0 mm thick sheet steel with 110° door opening
- sealing gasket.

PAINT FINISH

ETA standard epoxy polyester powder coating.
Colour: RAL 7035 textured finish.

PROTECTION RATING

IP55.



CABLE ENTRY MOD. SIDE OP. W=200

EURP CODE	MODULE DIMENSIONS		
	L	A	P
EURP021805	200	1809	514
EURP022006	200	2009	614

Note: please order the plinth in accordance with the total width of standard cabinet + cable entry module. I.e.: E NUX W 800 x D 500 + cable entry module W 200 x D 500 + plinth H=100 = EUZE-A100 + EUZE-T1000 + EUZE-T0500 (for plinth dimensions see page 65).

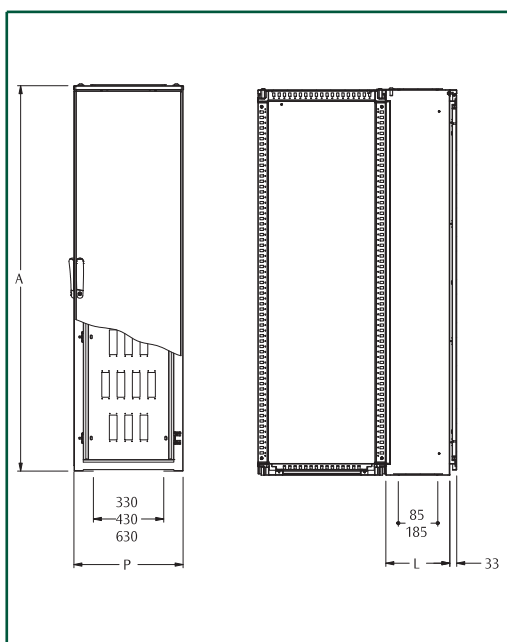
Note: to be ordered separately: joining kit EUKU-007 for EURP with E NUX.

CABLE ENTRY MOD. SIDE OP. W=300

EURP CODE	MODULE DIMENSIONS		
	L	A	P
EURP031805	300	1809	514
EURP031806	300	1809	614
EURP031808	300	1809	814
EURP032005	300	2009	514
EURP032006	300	2009	614
EURP032008	300	2009	814

Note: for E NUX plinth see page 65 (I.e. EUZE-A100 + EUZE-T0300 + EUZE-T0500).

Note: codes are referring to the version with roof and handle in RAL 5020. Available on demand in version Pantone 2717U; to order you have to add the suffix "A" to the code (I.e.: EURP031805A).



INNER BLANK MOUNTING PLATE*

EUD3 CODE	MODULE DIMENSIONS	
	A	P
EUD3-050180	1809	514
EUD3-060180	1809	614
EUD3-080180	1809	814
EUD3-050200	2009	514
EUD3-060200	2009	614
EUD3-080200	2009	814

* Supply includes gasket for IP55.

INNER PUNCHED MOUNTING PLATE*

EUD4 CODE	MODULE DIMENSIONS		NO. OF HOLES
	A	P	
EUD4-050180	1809	514	28
EUD4-060180	1809	614	44
EUD4-080180	1809	814	60
EUD4-050200	2009	514	32
EUD4-060200	2009	614	50
EUD4-080200	2009	814	68

* Supply includes gasket for IP55.



CABLE ENTRY MODULE FRONT OPENING E NUX

To be used as an end or intermediate element in a suite of cabinets. Front and/or rear access.

CHARACTERISTICS

The profile used for uprights and crosspieces is unique, manufactured from high-strength low-alloy sheet steel, closed with continuous fiber laser welding and free of sharp edges. The frame corners are manufactured with orthogonal joints laser welded to vertical upright rails and horizontal rails for roof and bottom. Only 8 high resistance screws are necessary to mount the structure, while two position pins allow the easy mounting of the two parts of the joint.

PAINT FINISH

ETA standard epoxy polyester powder coating.

- structure: RAL 7035 smooth finish
- doors and rear panel: RAL 7035 textured finish
- roof: RAL 5020 textured finish.

ASSEMBLED E NUX MODULE

- structure manufactured from high-strength low-alloy sheet steel
- door manufactured from sheet steel with stiffening frame, complete with \varnothing 3mm lever-operated double bar locking system
- rear panel manufactured from sheet steel with rounded folding
- removable roof manufactured from sheet steel
- bottom manufactured from sheet steel.

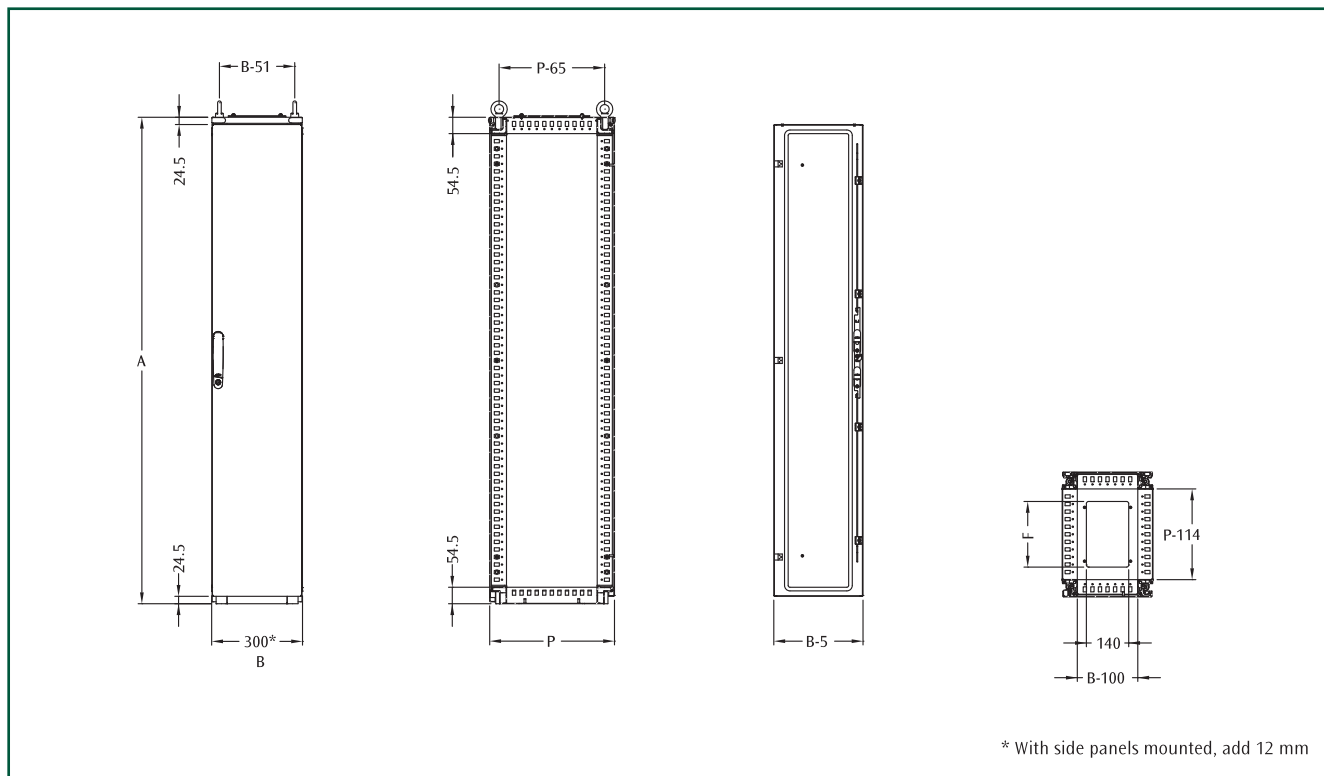
FLAT-PACK E NUX MODULE (ASSEMBLY WITH 8 SCREWS ONLY)

- composition to be assembled complying with customers requests
- panels and doors are supplied together with two vertical uprights complete with accessories.

PROTECTION RATING

- IP55 complying with IEC EN62208; EN60529
- protection degree guaranteed by the two-component polyurethane foam seal.

Note: codes are referring to the version with roof and handle in RAL 5020. Available on demand in version Pantone 2717U; to order you have to add the suffix "A" to the code of the assembled cabinet (i.e.: ENUX031604A) or cabinet kit for roof + bottom and door (i.e.: EUTF030040A, EUPO030160LA).



DIMENSIONAL SPECIFICATIONS

WIDTH	DIMENSIONS			CABLE ENTRY MODULE DIMENSIONS		CABLE ENTRY
	HEIGHT	DEPTH		A	P	F
300	1600	400		1609	414	217
300	1600	500		1609	514	317
300	1600	600		1609	614	417
300	1800	400		1809	414	217
300	1800	500		1809	514	317
300	1800	600		1809	614	417
300	1800	800		1809	814	617
300	2000	400		2009	414	217
300	2000	500		2009	514	317
300	2000	600		2009	614	417
300	2000	800		2009	814	617
300	2200	500		2209	514	317
300	2200	600		2209	614	417
300	2200	800		2209	814	617

ASSEMBLED CABLE ENTRY MODULE

E NUX CODE	DIMENSIONS		
	WIDTH	HEIGHT	DEPTH
ENUX031604	300	1600	400
ENUX031605	300	1600	500
ENUX031606	300	1600	600
ENUX031804	300	1800	400
ENUX031805	300	1800	500
ENUX031806	300	1800	600
ENUX031808	300	1800	800
ENUX032004	300	2000	400
ENUX032005	300	2000	500
ENUX032006	300	2000	600
ENUX032008	300	2000	800
ENUX032205	300	2200	500
ENUX032206	300	2200	600
ENUX032208	300	2200	800

FLAT-PACK CABLE ENTRY MODULE

DIMENSIONS			ROOF	BLANK	REAR
WIDTH	HEIGHT	DEPTH	+ BOTTOM	DOOR	PANEL
300	1600	400	EUTF030040	EUPO030160	EURE030160
300	1600	500	EUTF030050	EUPO030160	EURE030160
300	1600	600	EUTF030060	EUPO030160	EURE030160
300	1800	400	EUTF030040	EUPO030180	EURE030180
300	1800	500	EUTF030050	EUPO030180	EURE030180
300	1800	600	EUTF030060	EUPO030180	EURE030180
300	1800	800	EUTF030080	EUPO030180	EURE030180
300	2000	400	EUTF030040	EUPO030200	EURE030200
300	2000	500	EUTF030050	EUPO030200	EURE030200
300	2000	600	EUTF030060	EUPO030200	EURE030200
300	2000	800	EUTF030080	EUPO030200	EURE030200
300	2200	500	EUTF030050	EUPO030220	EURE030220
300	2200	600	EUTF030060	EUPO030220	EURE030220
300	2200	800	EUTF030080	EUPO030220	EURE030220

Suite



FRONT INSERTED MOUNTING PLATE EUPA

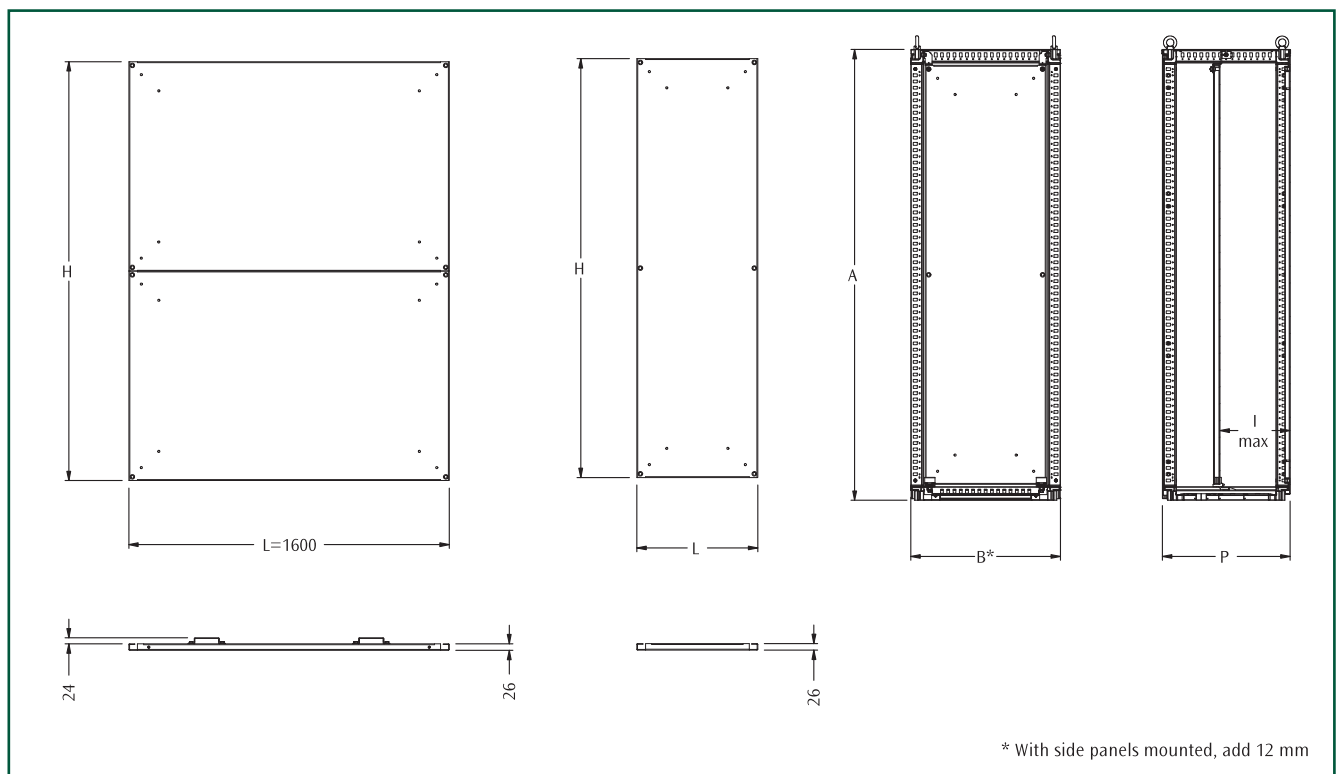
Manufactured from sendzimir sheet steel:

- thickness 2.5 mm for $L < 1000$
- thickness 3.0 mm for $L \geq 1000$.

Note: mounting plate $L > 1400$ mm manufactured in two parts with horizontal union and stiffening omega-rings.



Note: to be ordered separately: WTKB-002 mounting accessories for mounting plate.



MOUNTING PLATE WIDTH 400

EUPA CODE	CABINET DIMENSIONS			MOUNTING PLATE DIM.		
	B*	A	P	L	H	I (MAX)
EUPA-040160	400	1609	414	285	1480	350
EUPA-040160	400	1609	514	285	1480	450
EUPA-040160	400	1609	614	285	1480	550
EUPA-040180	400	1809	414	285	1680	350
EUPA-040180	400	1809	514	285	1680	450
EUPA-040180	400	1809	614	285	1680	550
EUPA-040180	400	1809	814	285	1680	750
EUPA-040200	400	2009	414	285	1880	350
EUPA-040200	400	2009	514	285	1880	450
EUPA-040200	400	2009	614	285	1880	550
EUPA-040200	400	2009	814	285	1880	750
EUPA-040220	400	2209	514	285	2080	450
EUPA-040220	400	2209	614	285	2080	450
EUPA-040220	400	2209	814	285	2080	450

MOUNTING PLATE WIDTH 1000

EUPA CODE	CABINET DIMENSIONS			MOUNTING PLATE DIM.		
	B*	A	P	L	H	I (MAX)
EUPA-100160	1000	1609	414	885	1480	350
EUPA-100160	1000	1609	514	885	1480	450
EUPA-100160	1000	1609	614	885	1480	550
EUPA-100180	1000	1809	414	885	1680	350
EUPA-100180	1000	1809	514	885	1680	450
EUPA-100180	1000	1809	614	885	1680	550
EUPA-100180	1000	1809	814	885	1680	750
EUPA-100200	1000	2009	414	885	1880	350
EUPA-100200	1000	2009	514	885	1880	450
EUPA-100200	1000	2009	614	885	1880	550
EUPA-100200	1000	2009	814	885	1880	750
EUPA-100220	1000	2209	514	885	2080	450
EUPA-100220	1000	2209	614	885	2080	550
EUPA-100220	1000	2209	814	885	2080	750

MOUNTING PLATE WIDTH 600

EUPA CODE	CABINET DIMENSIONS			MOUNTING PLATE DIM.		
	B*	A	P	L	H	I (MAX)
EUPA-060140	600	1409	414	485	1280	350
EUPA-060140	600	1409	514	485	1280	450
EUPA-060160	600	1609	414	485	1480	350
EUPA-060160	600	1609	514	485	1480	450
EUPA-060160	600	1609	614	485	1480	550
EUPA-060160	600	1609	814	485	1480	750
EUPA-060180	600	1809	414	485	1680	350
EUPA-060180	600	1809	514	485	1680	450
EUPA-060180	600	1809	614	485	1680	550
EUPA-060180	600	1809	814	485	1680	750
EUPA-060200	600	2009	414	485	1880	350
EUPA-060200	600	2009	514	485	1880	450
EUPA-060200	600	2009	614	485	1880	550
EUPA-060200	600	2009	814	485	1880	750
EUPA-060200	600	2009	1014	485	1880	950
EUPA-060220	600	2209	514	485	2080	450
EUPA-060220	600	2209	614	485	2080	550
EUPA-060220	600	2209	814	485	2080	750

MOUNTING PLATE WIDTH 1200

EUPA CODE	CABINET DIMENSIONS			MOUNTING PLATE DIM.		
	B*	A	P	L	H	I (MAX)
EUPA-120140	1200	1409	414	1085	1280	350
EUPA-120140	1200	1409	514	1085	1280	450
EUPA-120160	1200	1609	414	1085	1480	350
EUPA-120160	1200	1609	514	1085	1480	450
EUPA-120160	1200	1609	614	1085	1480	550
EUPA-120160	1200	1609	814	1085	1480	750
EUPA-120180	1200	1809	414	1085	1680	350
EUPA-120180	1200	1809	514	1085	1680	450
EUPA-120180	1200	1809	614	1085	1680	550
EUPA-120180	1200	1809	814	1085	1680	750
EUPA-120200	1200	2009	414	1085	1880	350
EUPA-120200	1200	2009	514	1085	1880	450
EUPA-120200	1200	2009	614	1085	1880	550
EUPA-120200	1200	2009	814	1085	1880	750
EUPA-120200	1200	2009	1014	1085	1880	950
EUPA-120220	1200	2209	514	1085	2080	450
EUPA-120220	1200	2209	614	1085	2080	550
EUPA-120220	1200	2209	814	1085	2080	750

Note: optional stiffening omega-rings WTOM-001200 to be ordered separately.

MOUNTING PLATE WIDTH 800

EUPA CODE	CABINET DIMENSIONS			MOUNTING PLATE DIM.		
	B*	A	P	L	H	I (MAX)
EUPA-080140	800	1409	414	685	1280	350
EUPA-080140	800	1409	514	685	1280	450
EUPA-080160	800	1609	414	685	1480	350
EUPA-080160	800	1609	514	685	1480	450
EUPA-080160	800	1609	614	685	1480	550
EUPA-080180	800	1809	414	685	1680	350
EUPA-080180	800	1809	514	685	1680	450
EUPA-080180	800	1809	614	685	1680	550
EUPA-080180	800	1809	814	685	1680	750
EUPA-080200	800	2009	414	685	1880	350
EUPA-080200	800	2009	514	685	1880	450
EUPA-080200	800	2009	614	685	1880	550
EUPA-080200	800	2009	814	685	1880	750
EUPA-080200	800	2009	1014	685	1880	950
EUPA-080220	800	2209	514	685	2080	450
EUPA-080220	800	2209	614	685	2080	550
EUPA-080220	800	2209	814	685	2080	750

MOUNTING PLATE WIDTH 1400

EUPA CODE	CABINET DIMENSIONS			MOUNTING PLATE DIM.		
	B*	A	P	L	H	I (MAX)
EUPA-140200	1400	2009	414	1285	1880	350
EUPA-140200	1400	2009	514	1285	1880	450
EUPA-140200	1400	2009	614	1285	1880	550
EUPA-140200	1400	2009	814	1285	1880	750

Note: optional stiffening omega-rings WTOM-001400 to be ordered separately.

MOUNTING PLATE WIDTH 1600

EUPA CODE	CABINET DIMENSIONS			MOUNTING PLATE DIM.		
	B*	A	P	L	H	I (MAX)
EUPA-160140	1600	1409	414	1485	1280	350
EUPA-160140	1600	1409	514	1485	1280	450
EUPA-160200	1600	2009	414	1485	1880	350
EUPA-160200	1600	2009	514	1485	1880	450
EUPA-160200	1600	2009	614	1485	1880	550
EUPA-160200	1600	2009	814	1485	1880	750

Suite



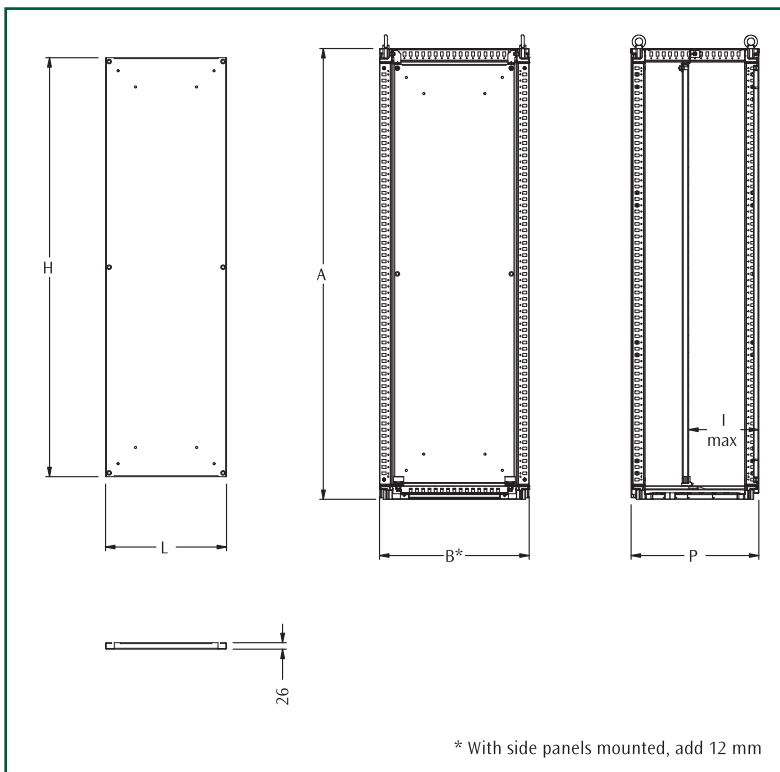
FRONT INSERTED MOUNTING PLATE EUPA SIMPLEX

Manufactured from 2.0 mm thick sendzimir sheet steel.

Note: optional stiffening omega-rings WTOM-001200 to be ordered separately.



Note: to be ordered separately: WTKB-002 mounting accessories for mounting plate.



MOUNTING PLATE WIDTH 600

EUPA CODE	CABINET DIMENSIONS			MOUNTING PLATE DIM.		
	B*	A	P	L	H	I (MAX)
EUPA-060180L	600	1809	414	485	1680	350
EUPA-060180L	600	1809	514	485	1680	450
EUPA-060180L	600	1809	614	485	1680	550
EUPA-060180L	600	1809	814	485	1680	750
EUPA-060200L	600	2009	414	485	1880	350
EUPA-060200L	600	2009	514	485	1880	450
EUPA-060200L	600	2009	614	485	1880	550
EUPA-060200L	600	2009	814	485	1880	750

MOUNTING PLATE WIDTH 1000

EUPA CODE	CABINET DIMENSIONS			MOUNTING PLATE DIM.		
	B*	A	P	L	H	I (MAX)
EUPA-100180L	1000	1809	414	885	1680	350
EUPA-100180L	1000	1809	514	885	1680	450
EUPA-100180L	1000	1809	614	885	1680	550
EUPA-100180L	1000	1809	814	885	1680	750
EUPA-100200L	1000	2009	414	885	1880	350
EUPA-100200L	1000	2009	514	885	1880	450
EUPA-100200L	1000	2009	614	885	1880	550
EUPA-100200L	1000	2009	814	885	1880	750

MOUNTING PLATE WIDTH 800

EUPA CODE	CABINET DIMENSIONS			MOUNTING PLATE DIM.		
	B*	A	P	L	H	I (MAX)
EUPA-080180L	800	1809	414	685	1680	350
EUPA-080180L	800	1809	514	685	1680	450
EUPA-080180L	800	1809	614	685	1680	550
EUPA-080180L	800	1809	814	685	1680	750
EUPA-080200L	800	2009	414	685	1880	350
EUPA-080200L	800	2009	514	685	1880	450
EUPA-080200L	800	2009	614	685	1880	550
EUPA-080200L	800	2009	814	685	1880	750

MOUNTING PLATE WIDTH 1200

EUPA CODE	CABINET DIMENSIONS			MOUNTING PLATE DIM.		
	B*	A	P	L	H	I (MAX)
EUPA-120180L	1200	1809	414	1085	1680	350
EUPA-120180L	1200	1809	514	1085	1680	450
EUPA-120180L	1200	1809	614	1085	1680	550
EUPA-120180L	1200	1809	814	1085	1680	750
EUPA-120200L	1200	2009	414	1085	1880	350
EUPA-120200L	1200	2009	514	1085	1880	450
EUPA-120200L	1200	2009	614	1085	1880	550
EUPA-120200L	1200	2009	814	1085	1880	750

Note: optional stiffening omega-rings WTOM-001200 to be ordered separately.



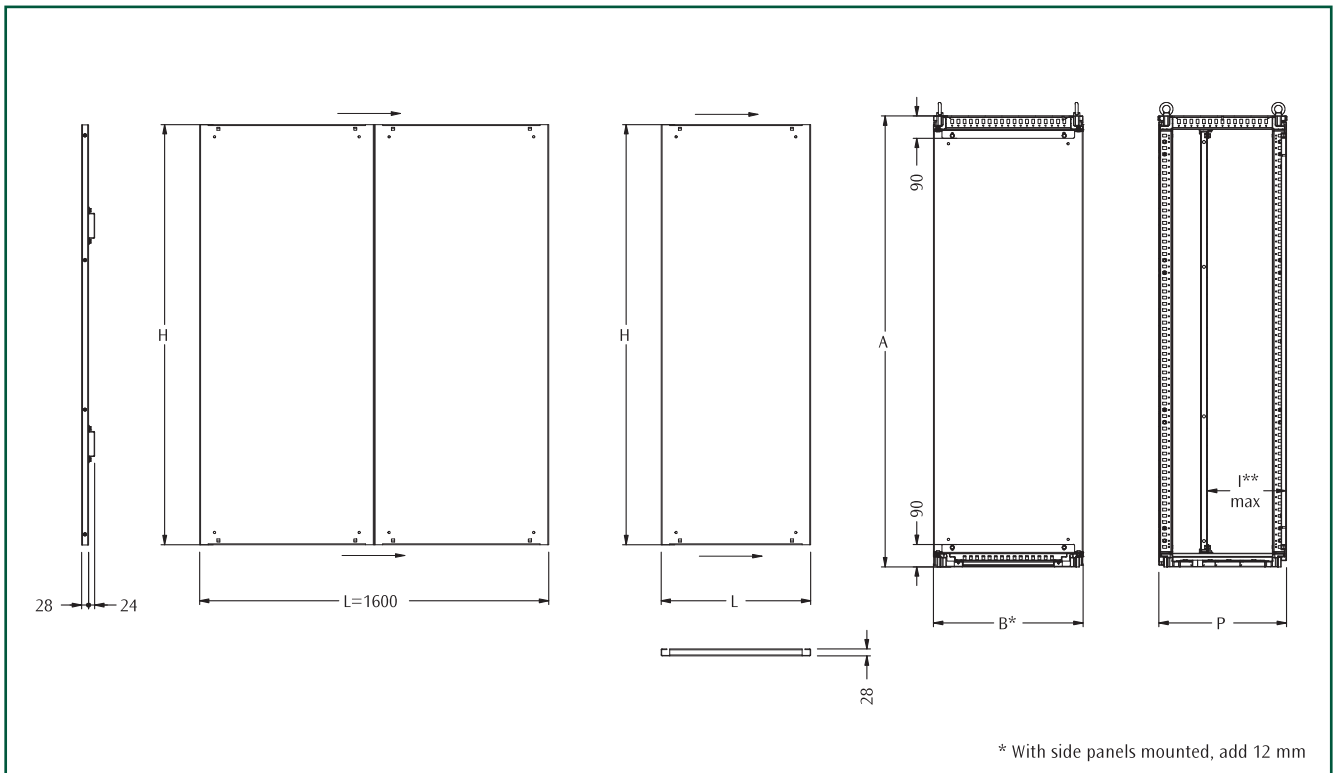
SIDE INSERTED MOUNTING PLATE EUPL

CHARACTERISTICS

Manufactured from 2.5 mm thick sendzimir sheet steel.

SUPPLY

Includes 1 piece with sliding guides and mounting accessories.



Note: mounting plate L=1600 mm manufactured in two parts with vertical union and stiffening omega-rings. Max L = 3m.

** Calculated without stiffening omega-rings

MOUNTING PLATE WIDTH 400

EUPL CODE	CABINET DIMENSIONS			MOUNTING PLATE DIM.		
	B*	A	P	L	H	I (MAX)
EUPL-040160	400	1609	414	400	1485	315
EUPL-040160	400	1609	514	400	1485	415
EUPL-040160	400	1609	614	400	1485	515
EUPL-040180	400	1809	414	400	1685	315
EUPL-040180	400	1809	514	400	1685	415
EUPL-040180	400	1809	614	400	1685	515
EUPL-040180	400	1809	814	400	1685	715
EUPL-040200	400	2009	414	400	1885	315
EUPL-040200	400	2009	514	400	1885	415
EUPL-040200	400	2009	614	400	1885	515
EUPL-040200	400	2009	814	400	1885	715
EUPL-040220	400	2209	514	400	2085	415
EUPL-040220	400	2209	614	400	2085	515
EUPL-040220	400	2209	814	400	2085	715

MOUNTING PLATE WIDTH 1000

EUPL CODE	CABINET DIMENSIONS			MOUNTING PLATE DIM.		
	B*	A	P	L	H	I (MAX)
EUPL-100160	1000	1609	414	1000	1485	315
EUPL-100160	1000	1609	514	1000	1485	415
EUPL-100160	1000	1609	614	1000	1485	515
EUPL-100180	1000	1809	414	1000	1685	315
EUPL-100180	1000	1809	514	1000	1685	415
EUPL-100180	1000	1809	614	1000	1685	515
EUPL-100180	1000	1809	814	1000	1685	715
EUPL-100200	1000	2009	414	1000	1885	315
EUPL-100200	1000	2009	514	1000	1885	415
EUPL-100200	1000	2009	614	1000	1885	515
EUPL-100200	1000	2009	814	1000	1885	715
EUPL-100220	1000	2209	514	1000	2085	415
EUPL-100220	1000	2209	614	1000	2085	515
EUPL-100220	1000	2209	814	1000	2085	715

MOUNTING PLATE WIDTH 600

EUPL CODE	CABINET DIMENSIONS			MOUNTING PLATE DIM.		
	B*	A	P	L	H	I (MAX)
EUPL-060140	600	1409	414	600	1285	315
EUPL-060140	600	1409	514	600	1285	415
EUPL-060160	600	1609	414	600	1485	315
EUPL-060160	600	1609	514	600	1485	415
EUPL-060160	600	1609	614	600	1485	515
EUPL-060160	600	1609	814	600	1485	715
EUPL-060180	600	1809	414	600	1685	315
EUPL-060180	600	1809	514	600	1685	415
EUPL-060180	600	1809	614	600	1685	515
EUPL-060180	600	1809	814	600	1685	715
EUPL-060200	600	2009	414	600	1885	315
EUPL-060200	600	2009	514	600	1885	415
EUPL-060200	600	2009	614	600	1885	515
EUPL-060200	600	2009	814	600	1885	715
EUPL-060200	600	2009	1014	600	1885	915
EUPL-060220	600	2209	514	600	2085	415
EUPL-060220	600	2209	614	600	2085	515
EUPL-060220	600	2209	814	600	2085	715

MOUNTING PLATE WIDTH 1200

EUPL CODE	CABINET DIMENSIONS			MOUNTING PLATE DIM.		
	B*	A	P	L	H	I (MAX)
EUPL-120140	1200	1409	414	1200	1285	315
EUPL-120140	1200	1409	514	1200	1285	415
EUPL-120160	1200	1609	414	1200	1485	315
EUPL-120160	1200	1609	514	1200	1485	415
EUPL-120160	1200	1609	614	1200	1485	515
EUPL-120160	1200	1609	814	1200	1485	715
EUPL-120180	1200	1809	414	1200	1685	315
EUPL-120180	1200	1809	514	1200	1685	415
EUPL-120180	1200	1809	614	1200	1685	515
EUPL-120180	1200	1809	814	1200	1685	715
EUPL-120200	1200	2009	414	1200	1885	315
EUPL-120200	1200	2009	514	1200	1885	415
EUPL-120200	1200	2009	614	1200	1885	515
EUPL-120200	1200	2009	814	1200	1885	715
EUPL-120200	1200	2009	1014	1200	1885	915
EUPL-120220	1200	2209	514	1200	2085	415
EUPL-120220	1200	2209	614	1200	2085	515
EUPL-120220	1200	2209	814	1200	2085	715

MOUNTING PLATE WIDTH 800

EUPL CODE	CABINET DIMENSIONS			MOUNTING PLATE DIM.		
	B*	A	P	L	H	I (MAX)
EUPL-080140	800	1409	414	800	1285	315
EUPL-080140	800	1409	514	800	1285	415
EUPL-080160	800	1609	414	800	1485	315
EUPL-080160	800	1609	514	800	1485	415
EUPL-080160	800	1609	614	800	1485	515
EUPL-080180	800	1809	414	800	1685	315
EUPL-080180	800	1809	514	800	1685	415
EUPL-080180	800	1809	614	800	1685	515
EUPL-080180	800	1809	814	800	1685	715
EUPL-080200	800	2009	414	800	1885	315
EUPL-080200	800	2009	514	800	1885	415
EUPL-080200	800	2009	614	800	1885	515
EUPL-080200	800	2009	814	800	1885	715
EUPL-080200	800	2009	1014	800	1885	915
EUPL-080220	800	2209	514	800	2085	415
EUPL-080220	800	2209	614	800	2085	515
EUPL-080220	800	2209	814	800	2085	715

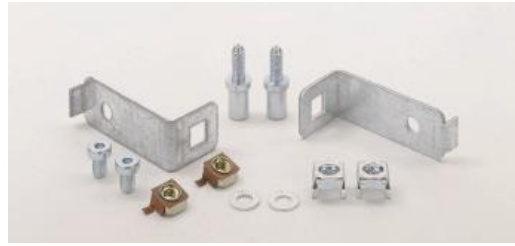
MOUNTING PLATE WIDTH 1400

EUPL CODE	CABINET DIMENSIONS			MOUNTING PLATE DIM.		
	B*	A	P	L	H	I (MAX)
EUPL-140200	1400	2009	414	1400	1885	315
EUPL-140200	1400	2009	514	1400	1885	415
EUPL-140200	1400	2009	614	1400	1885	515
EUPL-140200	1400	2009	814	1400	1885	715

Note: optional stiffening omega-rings WTOM-001400L to be ordered separately.

MOUNTING PLATE WIDTH 1600

EUPL CODE	CABINET DIMENSIONS			MOUNTING PLATE DIM.		
	B*	A	P	L	H	I (MAX)
EUPL-160140	1600	1409	414	1600	1285	315
EUPL-160140	1600	1409	514	1600	1285	415
EUPL-160200	1600	2009	414	1600	1885	315
EUPL-160200	1600	2009	514	1600	1885	415
EUPL-160200	1600	2009	614	1600	1885	515
EUPL-160200	1600	2009	814	1600	1885	715



SUPPORTING BRACKETS WTSC-001

Central support brackets for mounting plates.

SUPPLY

Includes 2 pieces with mounting accessories.

Note: fixing rails H=50 (see page 75) to be ordered separately.

Note: available on request.



INTERMEDIATE MOUNTING PLATE EUPN

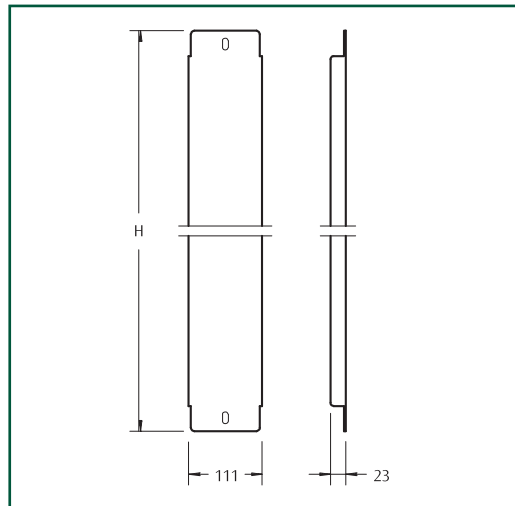
To give continuity to mounting plates between two cabinets mounted in a suite.

CHARACTERISTICS

Manufactured from 2.5 mm thick press bent sendzimir sheet steel.

SUPPLY

Includes 1 piece with mounting accessories.



INTERMEDIATE MOUNTING PLATE

EUPN CODE	CABINET HEIGHT	H
EUPN-001400	1400	1286
EUPN-001600	1600	1486
EUPN-001800	1800	1686
EUPN-002000	2000	1886
EUPN-002200	2200	2086

SUPPLEMENTARY MOUNTING PLATE EUPS

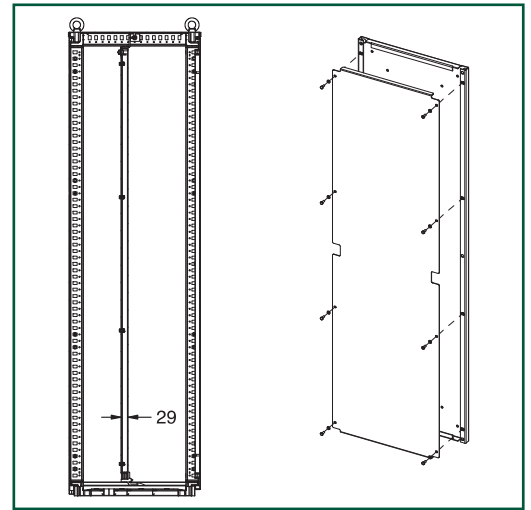
Applied on the rear part of a mounting plate to obtain a supplementary mounting plate.

CHARACTERISTICS

Manufactured from 2.5 mm thick sendzimir sheet steel.

SUPPLY

Includes 1 piece with mounting accessories.



SUPPLEMENTARY MOUNTING PLATE

EUPS CODE	CABINET DIM.		M. PLATE DIM.	
	B	A	L	H
EUPS-040160	400	1609	280	1435
EUPS-040180	400	1809	280	1635
EUPS-040200	400	2009	280	1835
EUPS-040220	400	2209	280	2035
EUPS-060140	600	1409	480	1235
EUPS-060160	600	1609	480	1435
EUPS-060180	600	1809	480	1635
EUPS-060200	600	2009	480	1835
EUPS-060220	600	2209	480	2035
EUPS-080140	800	1409	680	1235
EUPS-080160	800	1609	680	1435
EUPS-080180	800	1809	680	1635
EUPS-080200	800	2009	680	1835
EUPS-080220	800	2209	680	2035
EUPS-100160	1000	1609	880	1435
EUPS-100180	1000	1809	880	1635
EUPS-100200	1000	2009	880	1835
EUPS-100220	1000	2209	880	2035

PARTIAL MOUNTING PLATE EUPR

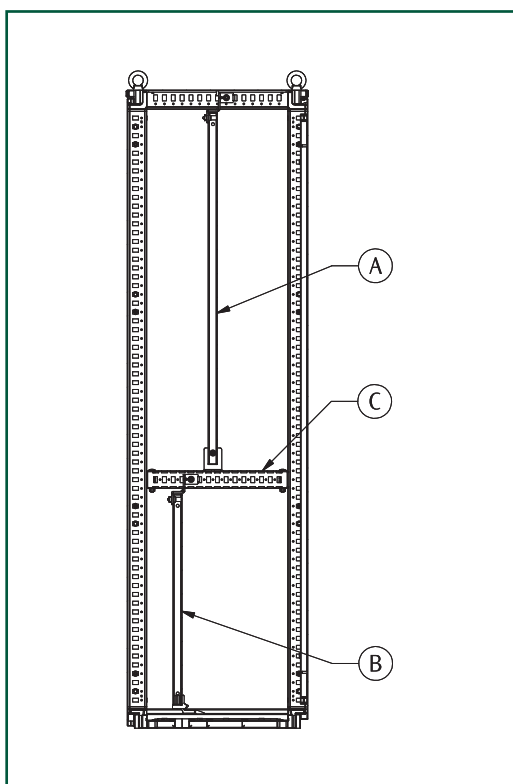
Partial mounting plates can be manufactured upon request.

Manufactured from 2.5 mm thick sendzimir sheet steel.

Mounting kit pos. A

Mounting kit pos. B.

Note: to be ordered separately: WTPR rails H=50 mm (C) and brackets WTSF-001 (see page 75).



PARTIAL MOUNTING PLATE

EUPR CODE	MOUNTING PLATE DIMENSIONS	
	L	H
EUPR-060060	485	600
EUPR-060080	485	800
EUPR-060120	485	1200
EUPR-080060	685	600
EUPR-080080	685	800
EUPR-080120	685	1200

WTKA-001

Mounting kit pos. A.



WTKB-002

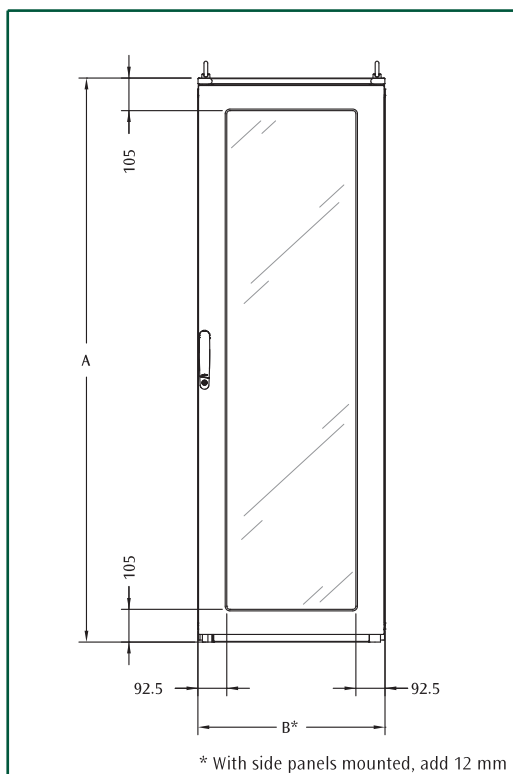
Mounting kit pos. B.





* Product AtEx: Contact the ETA commercial office for cabinet with tempered glass

Suite



PLEXI DOOR EUPV

CHARACTERISTICS

Manufactured from 2.0 mm thick sheet steel with viewing window, tubular stiffening frame and 4.0 mm thick clear Plexiglas.

PAINT FINISH

ETA standard epoxy polyester powder coating. Colour: RAL 7035 textured finish.

SUPPLY

- two upright rails complete with accessories
- door complete with sealing gasket, tubular stiffening frame and ø 3mm lever-operated double bar locking system.

PROTECTION RATING

- IP55 complying with IEC EN62208; EN60529
- NEMA 12 complying with UL508A; UL50
- impact resistance IK10 complying with IEC EN62208; EN62202.

PLEXI DOOR		
EUPV CODE	CABINET DIMENSIONS	
	B*	A
EUPV060140	600	1409
EUPV060160	600	1609
EUPV060180	600	1809
EUPV060200	600	2009
EUPV060220	600	2209
EUPV080140	800	1409
EUPV080160	800	1609
EUPV080180	800	1809
EUPV080200	800	2009
EUPV080220	800	2209
EUPV100160	1000	1609
EUPV100180	1000	1809
EUPV100200	1000	2009
EUPV100220	1000	2209

- Note:** E NUX cabinet with plexi door available in:
- Assembled version: see page 34, 35, 36 to choose the part numbers E NUX...PV
 - Flat-pack version: see above to choose the part numbers of the plexi door EUPV (provided with front uprights) and see page 34, 35, 36 to complete the cabinet with EUTF (top + bottom) and EURE (rear panel + rear uprights).

Note: glazed door available on request.

Note: codes are referring to the version with handle in RAL 5020. Available on demand in version Pantone 2717U; to order you have to add the suffix "A" to the code (i.e.: EUPV060140A).



SPLIT VERTICAL DOORS EUPO

CHARACTERISTICS

Door manufactured from 2.0 mm thick press bent sheet steel material.

PAINT FINISH

ETA standard epoxy polyester powder coating.
Colour: RAL 7035 textured finish.

SUPPLY

- door W=800 with split vertical doors 400+400 (H=1800 and 2000)
- available on request doors with different dimensions (i.e. W=1200 with split doors 800+400/ W=1000 with split doors 800+200).

PROTECTION RATING

- IP55 complying with EN62208; EN60529
- NEMA 12 complying with UL508A; UL50
- impact resistance IK10 complying with EN62208; EN62202.

Note: available on request.

Note: available on request split vertical doors with door stop for Dis-connector (see page 77).



Suite

DOOR STOP WTFP-001

Allows the mechanical stop of the door at 90°, preventing the accidental closing. This equipment is compatible with the 180° rack structure mounted in the most forward position and the E NUX plexi/glazed doors too.

CHARACTERISTICS

Manufactured from 2.5 mm thick zincpassivated sheet steel.

SUPPLY

Includes 1 piece with accessories.

Note: available on request the item for allowing the mechanical stop of the door at 135°.



Suite



INNER DOOR EUPI

CHARACTERISTICS

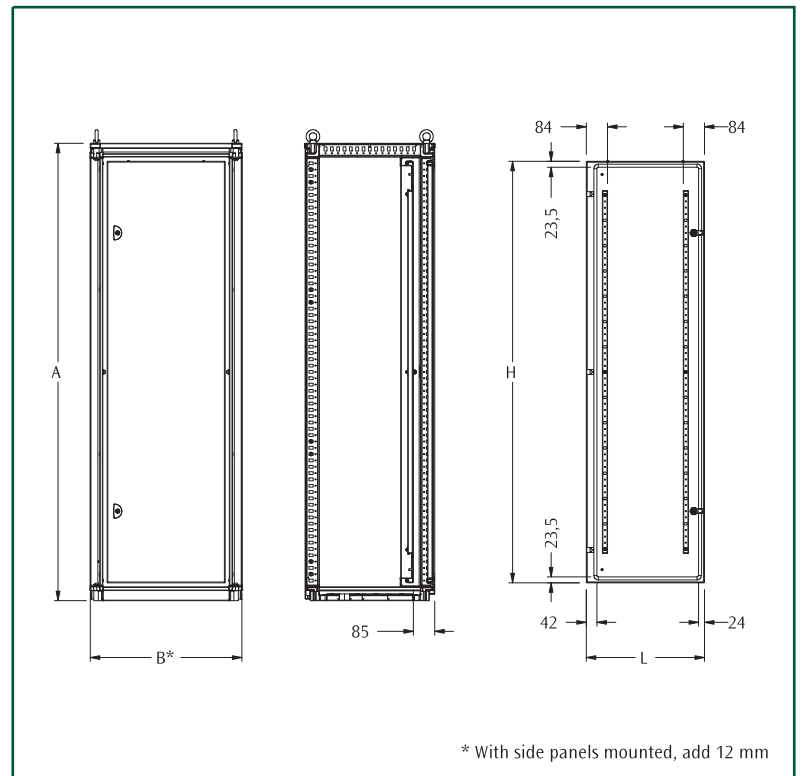
Manufactured from 2.0 mm thick sheet steel supplied complete with vertical uprights and horizontal rails.

PAINT FINISH

ETA standard epoxy polyester powder coating.
Colour: RAL 7035 textured finish.

SUPPLY

- door complete with \varnothing 3 mm double bar locking system and hinges
- vertical uprights and horizontal rails
- mounting accessories.



INNER DOOR				
EUPI CODE	CABINET DIMENSIONS		INNER DOOR DIM.	
	B*	A	L	H
EUPI060140	600	1409	467	1267
EUPI060160	600	1609	467	1467
EUPI060180	600	1809	467	1667
EUPI060200	600	2009	467	1867
EUPI060220	600	2209	467	2067
EUPI080140	800	1409	667	1267
EUPI080160	800	1609	667	1467
EUPI080180	800	1809	667	1667
EUPI080200	800	2009	667	1867
EUPI080220	800	2209	667	2067
EUPI100160	1000	1609	867	1467
EUPI100180	1000	1809	867	1667
EUPI100200	1000	2009	867	1867
EUPI100220	1000	2209	867	2067

PROFILES FOR INNER DOOR**	
WTPP CODE	CABINET HEIGHT
WTPP-001400	1400
WTPP-001600	1600
WTPP-001800	1800
WTPP-002000	2000
WTPP-002200	2200

** Available on request: profiles for inner door (supply includes 2 pieces).



LATERAL DOOR EUPF

CHARACTERISTICS

Manufactured from 1.5 mm thick sheet steel.

PAINT FINISH

ETA standard epoxy polyester powder coating.
Colour: RAL 7035 textured finish.

SUPPLY

- door complete with sealing gasket, ø 3mm lever operated double bar locking system
- 4 hinges
- mounting accessories.

Note: codes are referring to the version with roof and handle in RAL 5020. Available on demand in version Pantone 2717U; to order you have to add the suffix "A" to the code of (i.e.: EUPF040140A).

SIDE PANELS EUFI

CHARACTERISTICS

Manufactured from press-bent sheet steel with rounded folding.

PAINT FINISH

ETA standard epoxy polyester powder coating.
Colour: RAL 7035 textured finish.

SUPPLY

- two side panels
- rapid fastening couplers
- mounting accessories.

Note: to order a pair of side panels for mounting on hinge side 180°, you have to add the suffix "C" to the code (i.e.:EUFI040140C).

LATERAL DOOR

EUPF CODE	DIMENSIONS	
	HEIGHT	DEPTH
EUPF040140	1400	400
EUPF050140	1400	500
EUPF060140	1400	600
EUPF040160	1600	400
EUPF050160	1600	500
EUPF060160	1600	600
EUPF040180	1800	400
EUPF050180	1800	500
EUPF060180	1800	600
EUPF080180	1800	800
EUPF040200	2000	400
EUPF050200	2000	500
EUPF060200	2000	600
EUPF080200	2000	800
EUPF050220	2200	500
EUPF060220	2200	600
EUPF080220	2200	800

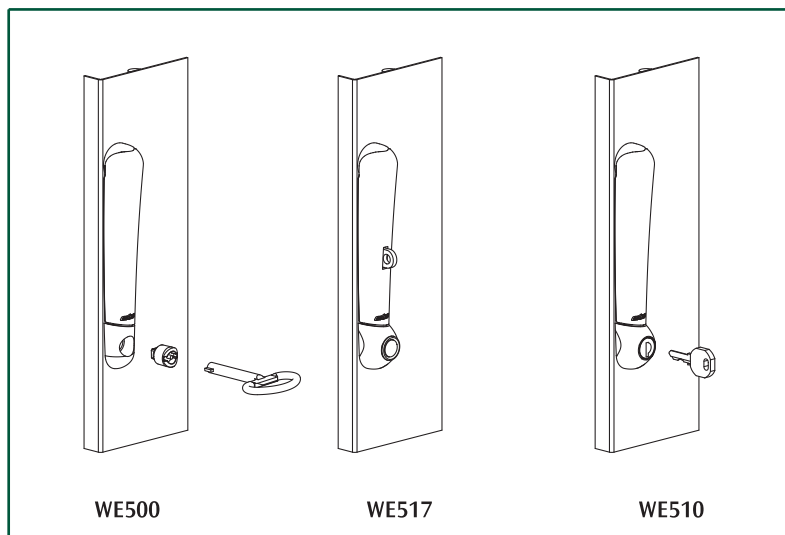
SIDE PANELS

EUFI CODE	DIMENSIONS	
	HEIGHT	DEPTH
EUFI040140	1400	400
EUFI050140	1400	500
EUFI040160	1600	400
EUFI050160	1600	500
EUFI060160	1600	600
EUFI040180	1800	400
EUFI050180	1800	500
EUFI060180	1800	600
EUFI080180	1800	800
EUFI040200	2000	400
EUFI050200	2000	500
EUFI060200	2000	600
EUFI080200	2000	800
EUFI100200	2000	1000
EUFI050220	2200	500
EUFI060220	2200	600
EUFI080220	2200	800

LOCKING SYSTEMS

Suite

The innovative latching system for E NUX cabinets is characterized by a lever-operated mechanism and rack motion system, with compact internal footprint and different inserts available. The technology of the closing system fits the unique ergonomic design of the handle, that conveys functionality and harmony to the solution.



LOCKING SYSTEMS	
WE CODE	DESCRIPTION
WE500	E NUX ALUMINIUM HANDLE WITH 3 MM DOUBLE-BIT INSERT. RAL 5020
WE510	E NUX ALUMINIUM HANDLE WITH KEY LOCK INSERT. RAL 5020
WE515	E NUX ALUMINIUM HANDLE WITH PAD-LOCKING OPTION (PADLOCK NOT SUPPLIED). RAL 5020
WE516	E NUX ALUMINIUM HANDLE WITH KEY LOCK INSERT AND PAD-LOCKING OPTION (PADLOCK NOT SUPPLIED). RAL 5020
WE517	E NUX ALUMINIUM HANDLE WITH PAD-LOCKING OPTION AND PUSH-BUTTON RELEASE (PADLOCK NOT SUPPLIED). RAL 5020
WE518	E NUX ALUMINIUM HANDLE WITH PUSH-BUTTON RELEASE. RAL 5020
WE519*	E NUX ALUMINIUM COVER WITH 3 MM DOUBLE-BIT INSERT



Note: to order the WE500 and WE510 in Pantone 2717U, you have to add the suffix "A" to the code. For special painted cabinets, the handle will be supplied in black colour.

* When ordering, specify if the door is right or left hinged.

LOCKING SYSTEMS		DESCRIPTION
WE CODE		
WE520		INSERT Ø 3 MM
WE522		KEY Ø 3 MM
WE530		INSERT Ø 5 MM
WE532		KEY Ø 5 MM
WE540		INSERT \sphericalangle 7 MM
WE542		KEY \sphericalangle 7 MM
WE550		INSERT \sphericalangle 7 MM
WE552		KEY \sphericalangle 7 MM
WE560		INSERT \sphericalangle 8 MM
WE562		KEY \sphericalangle 8 MM
WE570		FIAT INSERT
WE572		FIAT KEY



MODULAR PLINTH EUZE

CHARACTERISTICS

Corner pieces manufactured from 2.5 mm thick press bent sheet steel, with PVC front covers caps. Front and side crosspieces manufactured from 2.0 mm thick press bent sheet steel.

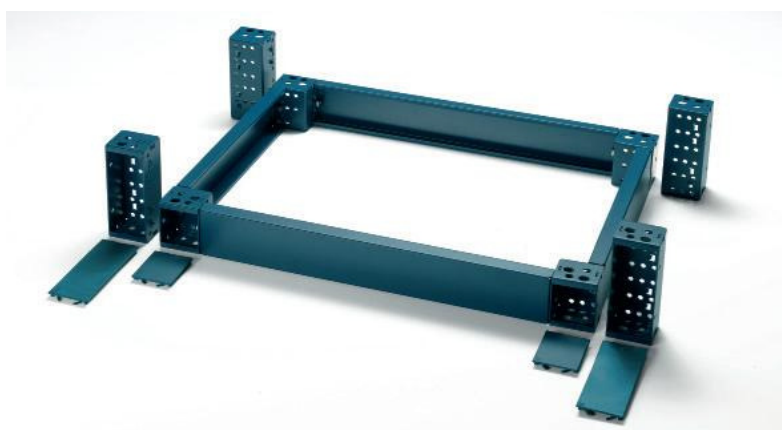
PAINT FINISH

ETA standard epoxy polyester powder coating.
Colour: RAL 5020 textured finish.

SUPPLY

The modular plinth is made up of:

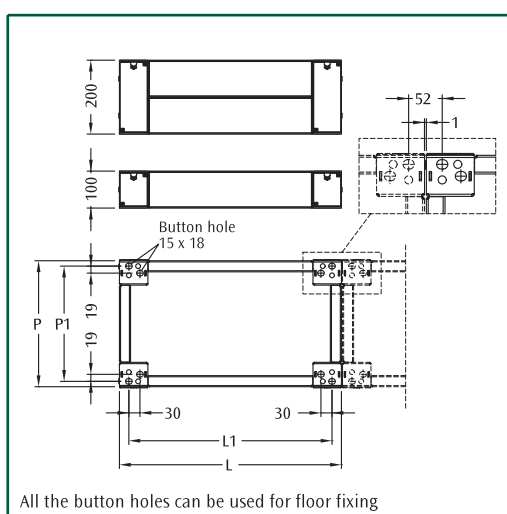
- corner pieces: supply includes 4 pieces complete with front covers and mounting hardware
- front crosspieces: supply includes 2 pieces
- side crosspieces: supply includes 2 pieces.



Suite

DIMENSIONAL SPECIFICATIONS

CABINET DIM.		PLINTH DIM.		CENT. DISTANCES	
L	P	L	P	L1	P1
300	400	300	378	249	349
300	500	300	478	249	449
300	600	300	578	249	549
300	800	300	778	249	749
400	400	400	378	349	349
400	500	400	478	349	449
400	600	400	578	349	549
400	800	400	778	349	749
600	400	600	378	549	349
600	500	600	478	549	449
600	600	600	578	549	549
600	800	600	778	549	749
600	1000	600	978	549	949
800	400	800	378	749	349
800	500	800	478	749	449
800	600	800	578	749	549
800	800	800	778	749	749
800	1000	800	978	749	949
1000	400	1000	378	949	349
1000	500	1000	478	949	449
1000	600	1000	578	949	549
1000	800	1000	778	949	749
1200	400	1200	378	1149	349
1200	500	1200	478	1149	449
1200	600	1200	578	1149	549
1200	800	1200	778	1149	749
1200	1000	1200	978	1149	949
1400	400	1400	378	1349	349
1400	500	1400	478	1349	449
1400	600	1400	578	1349	549
1400	800	1400	778	1349	749
1600	400	1600	378	1549	349
1600	500	1600	478	1549	449
1600	600	1600	578	1549	549
1600	800	1600	778	1549	749



UNIVERSAL CORNER PIECES

EUZE CODE	DESCRIPTION
EUZE-A100	CORNER PIECES FOR PLINTH H=100
EUZE-A200	CORNER PIECES FOR PLINTH H=200

Note: supply includes 4 pieces with mounting accessories.

SIDE/FRONT CROSSPIECES

EUZE CODE	DESCRIPTION	CROSS. LENGTH MM
EUZE-T0300	PLINTH CROSSPIECES L=300	144
EUZE-T0400	PLINTH CROSSPIECES L=400	244
EUZE-T0500	PLINTH CROSSPIECES L=500	344
EUZE-T0600	PLINTH CROSSPIECES L=600	444
EUZE-T0800	PLINTH CROSSPIECES L=800	644
EUZE-T1000	PLINTH CROSSPIECES L=1000	844
EUZE-T1200	PLINTH CROSSPIECES L=1200	1044
EUZE-T1400	PLINTH CROSSPIECES L=1400	1244
EUZE-T1600	PLINTH CROSSPIECES L=1600	1444

Note: to order the front and side crosspieces H=200, add the suffix "D" to the code (i.e.: EUZE-T0300D).

Note: supply includes 2 pieces.

Note: codes are referring to the version in RAL 5020. Available on demand in version Pantone 2717U; to order you have to add the suffix "A" to the code (i.e.: EUZE-A100A, EUZE-T0300A, EUZE-T0300DA).



WATERTIGHT PLINTH H=200 MM EUZ3

To be used as a conduit for cables passage and to protect cables from chemical agents and accidental shocks.

CHARACTERISTICS

Manufactured from 2.0 mm thick press bent and welded sheet steel.

PAINT FINISH

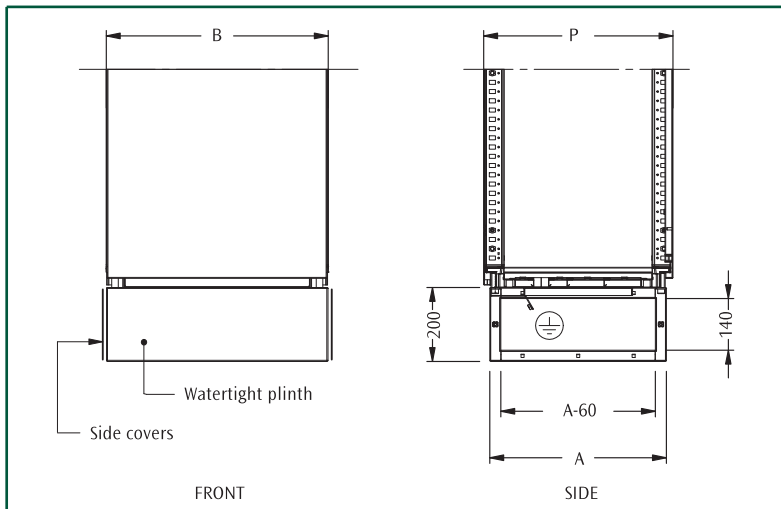
ETA standard epoxy polyester powder coating.
Colour: RAL 5020 textured finish.

SUPPLY

- plinth (without covers)
- adhesive gasket
- mounting accessories.

Note: two side covers to be ordered separately.

Note: the codes are related to the RAL 5020 version. Available on demand in Pantone 2717U version; to order you have to add the suffix "A" to the code (i.e.: EUZ3-040040A).



WATERTIGHT PLINTH H=200 MM

EUZ3 CODE	CABINET DIM.		PLINTH	
	B	P	B	A
EUZ3-040040	400	414	400	378
EUZ3-040050	400	514	400	478
EUZ3-040060	400	614	400	578
EUZ3-040080	400	814	400	778
EUZ3-060040	600	414	600	378
EUZ3-060050	600	514	600	478
EUZ3-060060	600	614	600	578
EUZ3-060080	600	814	600	778
EUZ3-080040	800	414	800	378
EUZ3-080050	800	514	800	478
EUZ3-080060	800	614	800	578
EUZ3-080080	800	814	800	778
EUZ3-100040	1000	414	1000	378
EUZ3-100050	1000	514	1000	478
EUZ3-100060	1000	614	1000	578
EUZ3-100080	1000	814	1000	778
EUZ3-120040	1200	414	1200	378
EUZ3-120050	1200	514	1200	478
EUZ3-120060	1200	614	1200	578
EUZ3-120080	1200	814	1200	778



TWO SIDE COVERS EUFL

SUPPLY

- two side covers with gasket
- mounting accessories.

Note: the codes are related to the RAL 5020 version. Available on demand in Pantone 2717U version; to order you have to add the suffix "A" (i.e.: EUFL-000400A).

TWO SIDE COVERS

EUFL CODE	CABINET DEPTH
EUFL-000400	400
EUFL-000500	500
EUFL-000600	600
EUFL-000800	800

LIFTING DEVICE FOR JOINED CABINETS TR-01

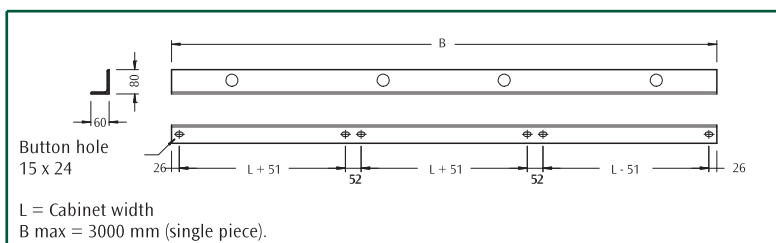
CHARACTERISTICS

“L” shaped profile hot-rolled 80 x 60 mm.

PAINT FINISH

Colour: RAL 5020 textured finish.

Note: available on request.



TRANSPORTATION PLINTH EUZU

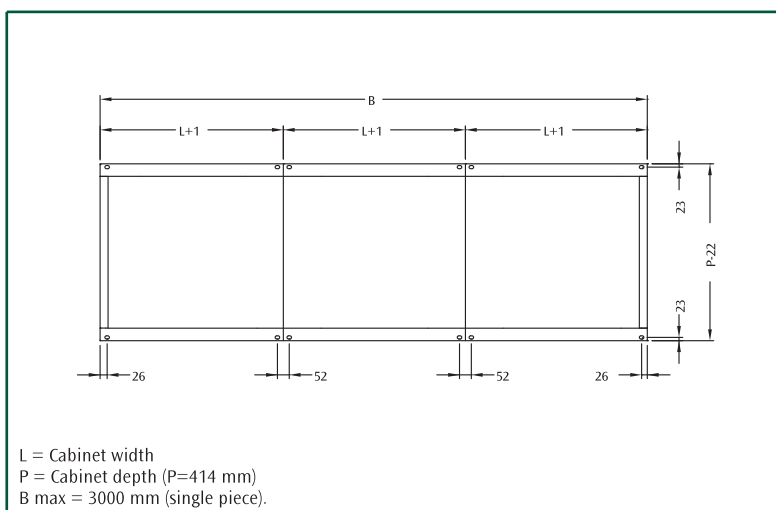
Available in 2 versions:

- 1 Manufactured from 3.0 mm thick press bent sheet steel, 100mm high
- 2 “U” shaped hot-rolled profile, 100 mm high.

PAINT FINISH

Colour: RAL 5020 textured finish.

Note: available on request.



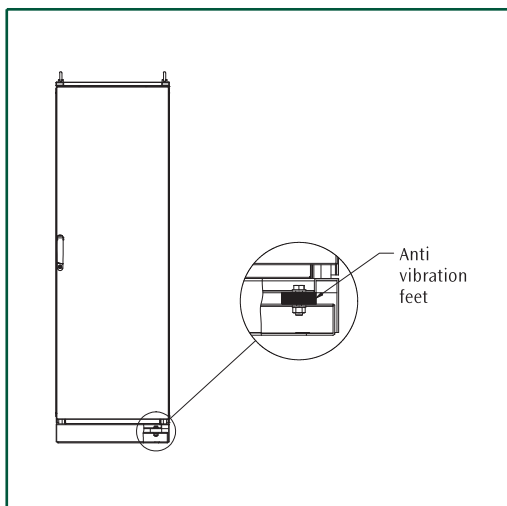
ANTI VIBRATION PLINTH EUZV

Manufactured from 3.0 mm thick press bent sheet steel, H=100mm, with special anti vibration devices.

PAINT FINISH

Colour: RAL 5020 textured finish.

Note: available on request.



The seismic design study starts from the vulnerability evaluation of the structure located in different geographical scales. Thanks to the activity developed together with the Foundation Eucentre Pavia, TREES Lab (Laboratory for Training and Research in Earthquake Engineering and Seismology), we have set the following research activities:

- 1 Modelling and numerical simulation of the seismic response of two cabinets, in order to study, during the design phase, the behaviour that the systems considered (E NUX with anti-vibration plinth and E NUX with anti-seismic kit) would have manifested towards seismic actions in various geographical areas and on different soils.
- 2 Seismic simulation of the two cabinets dynamic behaviour on a vibrating table, with experimental tests on structures in order to realize experimental research on prototypes, also in large-scale (both static and dynamic tests).

Note: for more information, see the Technical section on page 307.

BASIC VERSION

TECHNICAL DATA

Peak acceleration $\leq 1G$.
Mounting plate loaded up to 130 Kgs.

CHARACTERISTICS

- Plinth manufactured from press bent sheet steel, thickness 3.0 mm H=100, with anti-vibration elements and the possibility of floor fixing. Painting colour: RAL 5020 textured finish.
- Rails WTPR (2 pieces) mounted in depth for the central fixing of the mounting plate + WTSF-001.



MEDIUM VERSION

TECHNICAL DATA

Peak acceleration $\leq 1G$.
Loaded mounting plate $> 130 \leq 450$ Kgs.

CHARACTERISTICS

- Plinth manufactured from press bent sheet steel, thickness 3.0 mm H=100, with anti-vibration elements and the possibility of floor fixing. Painting colour: RAL 5020 textured finish.
- Rails WTPR (2 pieces) mounted in depth for the central fixing of the mounting plate + WTSF-001.
- 2 top and bottom fixing brackets for mounting plate, manufactured of galvanized steel, thickness 3.0 mm.

SEISMIC DESIGN

EUKA CODE	VERSION	CABINET DIM.		
		L	A	P
EUKA-080060B	BASIC VERSION	800	ALL	600
EUKA-080080B	BASIC VERSION	800	ALL	800
EUKA-080060M	MEDIUM VERSION	800	ALL	600
EUKA-080080M	MEDIUM VERSION	800	ALL	600
EUKA-082006S	STRONG VERSION	800	2000	600
EUKA-082008S	STRONG VERSION	800	2000	800



STRONG VERSION

TECHNICAL DATA

Peak acceleration $> 1G$.
Loaded mounting plate ≤ 450 Kgs.

CHARACTERISTICS

- Plinth manufactured from press bent sheet steel, thickness 3.0 mm H=100, with anti-vibration elements and the possibility of floor fixing. Painting colour: RAL 5020 textured finish.
- Rails WTPR (2 pieces) mounted in depth for the central fixing of the mounting plate + WTSF-001.
- 2 top and bottom fixing brackets for mounting plate, manufactured of galvanized steel, thickness 3.0 mm.
- 4 stiffening frames manufactured from galvanized steel, thickness 2.0 mm.
- 8 stiffening structure brackets manufactured from galvanized steel, thickness 3.0 mm.

**KIT FOR E NUX
IP56 / IP65 / IP66 / NEMA 4X**

For IP protection rating that are different from the standard (ENUX – IP55), there are specific kits supplied mounted on the cabinet.
Available for single door cabinets and for cabinets joined in a suite.

Note: available on request.

KIT IP56

For sheet steel or stainless steel solutions; indoor applications.

CHARACTERISTICS

Standard cabinet supplied with special seal for panels. Supplied assembled.

KIT IP65 / IP66

For sheet steel or stainless steel solutions; indoor and outdoor applications.

CHARACTERISTICS

Standard cabinet supplied with special seal for panels and with a specific kit of screws and accessories. Supplied assembled.

KIT NEMA 4X

For stainless steel sheet solutions; indoor and outdoor applications.

CHARACTERISTICS

Stainless steel standard cabinet supplied with silicone seal for panels, a specific kit of screws and accessories, and a unique base plate for cable entry. Supplied assembled.

Note: for outdoor applications, we recommend the use of a rain canopy and a cycle of special painting; for particularly harsh outdoor applications, we recommend the use of stainless steel solutions. For further information, see the Technical section on page 307.

RAIN CANOPY EUTT

Particularly suitable for outdoor applications, where it is required an additional protection from atmospheric agents. We recommend the use of a cycle of special polyester painting for outdoor.

CHARACTERISTICS

Manufactured from 1.5 mm sheet steel. Available for single cabinets or cabinets joined in a suite.

PAINT FINISH

ETA standard epoxy polyester powder coating. Colour: RAL 5020 textured finish.

SUPPLY

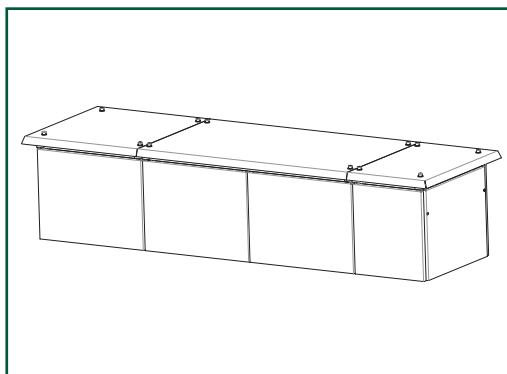
Includes 1 piece complete with mounting accessories.

Note: rain canopy with different inclinations and angles are available on request.

Note: different dimensions available on request.



RAIN CANOPY		
EUTT CODE	CABINET DIMENSIONS	
	W	D
EUTT080060	800	600
EUTT080080	800	800



Suite



CASTORS WTRU-001

High quality polyamide wheels. Load capacity 120 kgs each wheel.

SUPPLY

Includes 4 pieces (2 rotating wheels, 2 wheels with brake).



LEVELLING FEET WTPX-001

They can be applied on the cabinet structure or plinth. Suitable for un-even floors or applications that require cleaning under the cabinet.

CHARACTERISTICS

In PVC, screws made from zinc steel.

SUPPLY

Includes 4 pieces with plate and mounting accessories.

Note: for suite cabinets, order levelling feet WTPX-002.

ONE PIECE CABLE ENTRY BOX FOR JOINED CABINETS

CHARACTERISTICS

Manufactured from 2.0 mm thick press bent sheet steel.

PAINT FINISH

Colour: RAL 7035 textured finish.

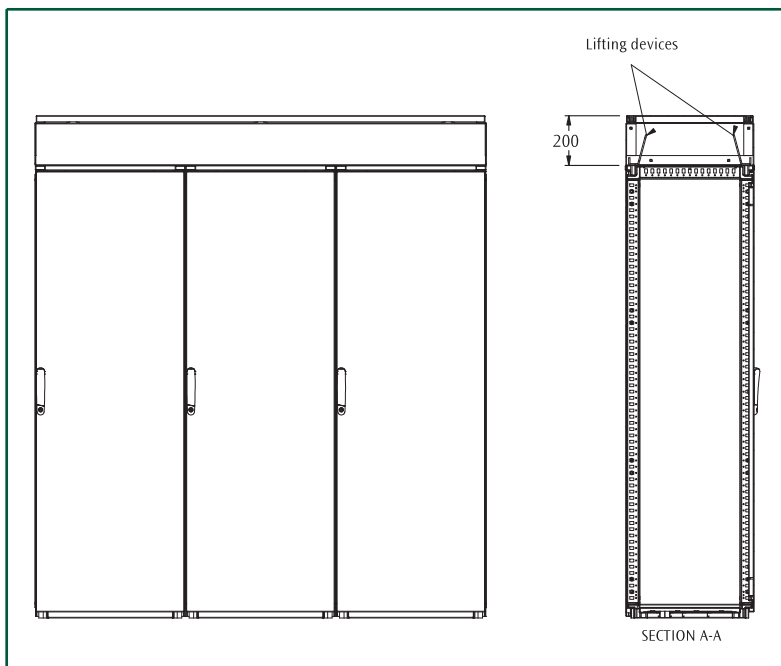
SUPPLY

Includes 1 piece cable entry box with lifting devices.



Note: available in one piece up to 1800 mm wide.

Note: available on request.





CABLE ENTRY BOX EUVC

For mounting on cabinet roof, it offers complete accessibility from each side and allows cabling or busbar systems to be installed.

CHARACTERISTICS

Structure manufactured from 2.0 mm thick sheet steel, complete with fixing and lifting joints.

PAINT FINISH

ETA standard epoxy polyester powder coating.
Colour: RAL 7035 textured finish.

SUPPLY

Includes:

- cable entry box with rear and front panel
- adhesive gasket.

PROTECTION RATING

IP55.

Note: to be ordered separately:

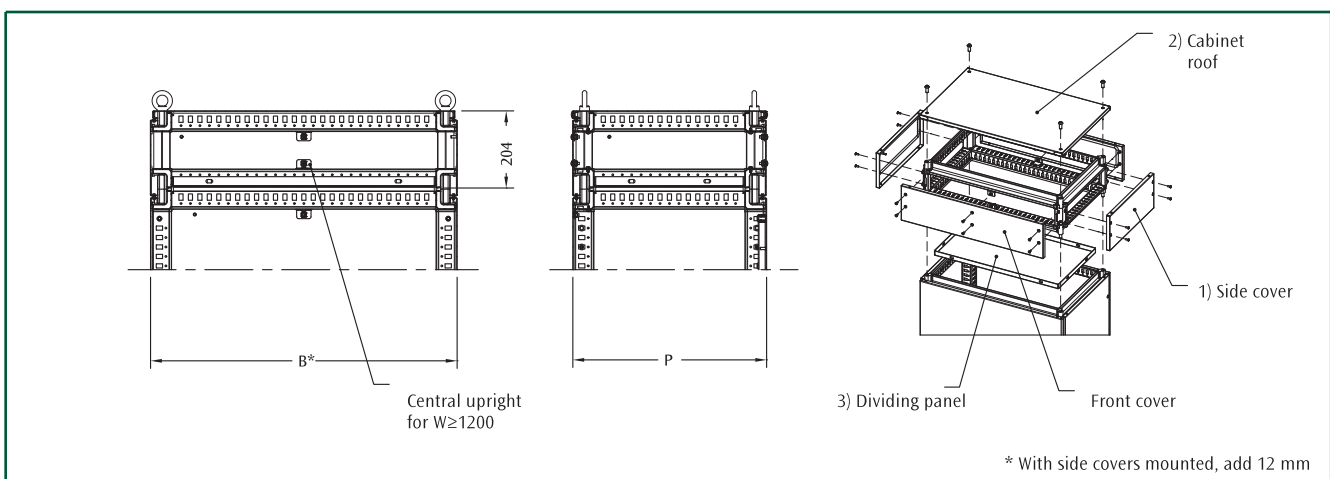
1. side covers
2. use cabinet roof to close top of cable entry box
3. dividing panel between cable entry box and cabinet is available on request (manufactured from 1.5 mm thick sendzimir sheet steel including gasket).

CABLE ENTRY BOX				
EUVC CODE	DIMENSIONS		B*	P**
	WIDTH	DEPTH		
EUVC040050	400	500	400	514
EUVC040060	400	600	400	614
EUVC040080	400	800	400	814
EUVC060050	600	500	600	514
EUVC060060	600	600	600	614
EUVC060080	600	800	600	814
EUVC080050	800	500	800	514
EUVC080060	800	600	800	614
EUVC080080	800	800	800	814
EUVC100050	1000	500	1000	514
EUVC100060	1000	600	1000	614
EUVC100080	1000	800	1000	814
EUVC120050	1200	500	1200	514
EUVC120060	1200	600	1200	614
EUVC120080	1200	800	1200	814

** Including front covers

SIDE COVERS (2 PIECES)	
EUFC CODE	CABINET DEPTH
EUFC000500	500
EUFC000600	600
EUFC000800	800

DIVIDING PANEL (ON REQUEST)		
EULC CODE	CABINET DIMENSIONS	
	WIDTH	DEPTH
EULC-040050	400	500
EULC-040060	400	600
EULC-040080	400	800
EULC-060050	600	500
EULC-060060	600	600
EULC-060080	600	800
EULC-080050	800	500
EULC-080060	800	600
EULC-080080	800	800
EULC-100050	1000	500
EULC-100060	1000	600
EULC-100080	1000	800
EULC-120050	1200	500
EULC-120060	1200	600
EULC-120080	1200	800



BLANK BASE EUFC

CHARACTERISTICS

Manufactured from a single piece 2.5 mm thick sendzimir sheet steel.

SUPPLY

Includes 1 piece with mounting accessories.



BLANK BASE

CODE EUFC	DIMENSIONS	
	WIDTH	DEPTH
EUFC-040040	400	400
EUFC-040050	400	500
EUFC-040060	400	600
EUFC-040080	400	800
EUFC-060040	600	400
EUFC-060050	600	500
EUFC-060060	600	600
EUFC-060080	600	800
EUFC-080040	800	400
EUFC-080050	800	500
EUFC-080060	800	600
EUFC-080080	800	800
EUFC-100040	1000	400
EUFC-100050	1000	500
EUFC-100060	1000	600
EUFC-100080	1000	800
EUFC-120040	1200	400
EUFC-120050	1200	500
EUFC-120060	1200	600
EUFC-120080	1200	800

REINFORCING BRACKETS EUKU-003

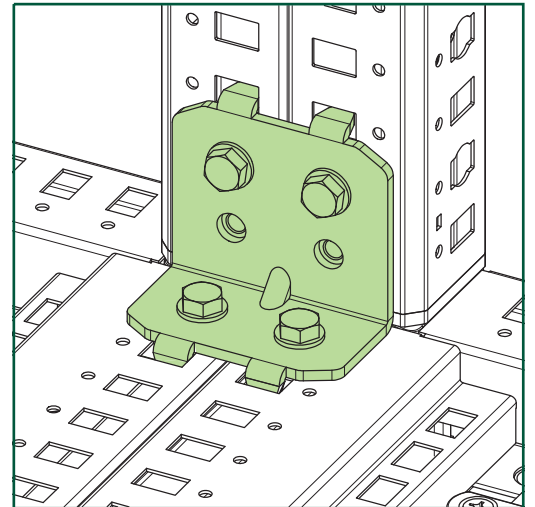
To be used to provide more rigidity to cabinets joined in a suite.

CHARACTERISTICS

Manufactured from 4.0 mm thick zincpassivated sheet steel.

SUPPLY

Includes 4 pieces with mounting accessories.



JOINING KIT EUKU-001/EUKU-002

To be used to join two cabinets together. It's recommended to use lifting brackets WTSS-001 instead of lifting eyebolts.

CHARACTERISTICS

Union spacers and mounting accessories manufactured from zinc sheet steel with adhesive gasket to guarantee IP protection degree.

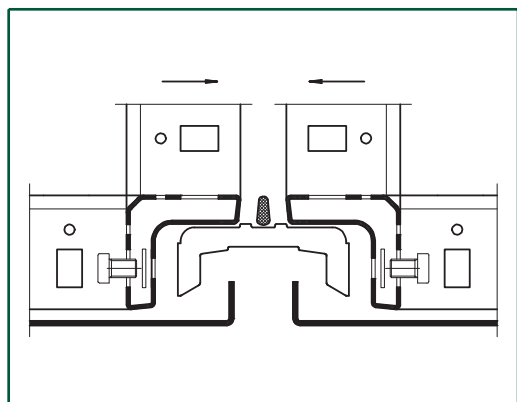
SUPPLY

Includes union spacers and fixing accessories.
 EUKU-001 includes 4 pieces for cabinet H=1400
 EUKU-002 includes 8 pieces for cabinet H=1600/1800/2000/2200.



JOINING KIT

EUKU CODE	CABINET HEIGHT
EUKU-001	1400
EUKU-002	1600
EUKU-002	1800
EUKU-002	2000
EUKU-002	2200



Note: E NUX suite cabinets are provided with CE, ATEX, TUV, RINA, cULus, GOST, ROHS marks, with protection rating IP55, NEMA 12, IK10.

JOINING KIT EUKU-005/EUKU-006

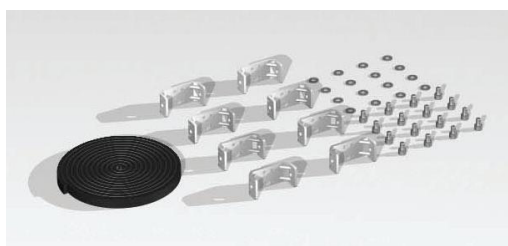
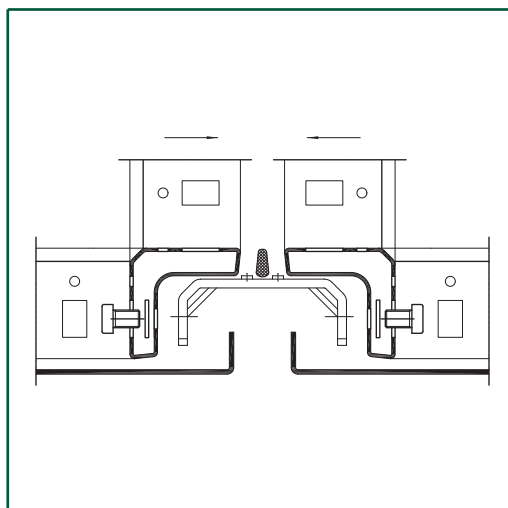
CHARACTERISTICS

Simplified solution of joining kit manufactured from 4.0 mm thick pressed zincpassivated sheet steel.

SUPPLY

EUKU-005 includes 4 pieces for cabinet H=1400
 EUKU-006 includes 8 pieces for cabinet H=1600/1800/2000/2200.

Note: E NUX suite cabinets are provided with CE, ATEX, TUV, RINA, cULus, GOST, ROHS marks, with protection rating IP55, NEMA 12, IK10.



JOINING KIT

EUKU CODE	CABINET HEIGHT
EUKU-005	1400
EUKU-006	1600
EUKU-006	1800
EUKU-006	2000
EUKU-006	2200



EYEBOLTS WTGS-001

CHARACTERISTICS

Zincpassivated M12 lifting eyebolts.

SUPPLY

Includes 4 pieces.



LIFTING BRACKETS WTSS-001

CHARACTERISTICS

Lifting brackets manufactured from 5.0 mm thick zincpassivated sheet steel.

SUPPLY

Includes 4 pieces.

Note: if 2 lifting brackets only are needed, order WTSS-001CP.



180° DOOR HINGES EUCE

Hinges for 180° opening to be mounted on standard doors, complete with mounting accessories.

CHARACTERISTICS

Manufactured from pressed zama.

PAINT FINISH

Colour: RAL 5020 smooth finish.

SUPPLY

EUCE-180001 supply includes 4 pieces

EUCE-180002 supply includes 5 pieces

EUCE-180003 supply includes 3 pieces.

Note: to be ordered separately side panels EUFI-C for the assembly on the side provided with 180° hinges, see page 63.

Note: codes are referring to the version in RAL 5020. Available on demand in version Pantone 2717U; to order you have to add the suffix "A" to the code (i.e.: EUCE-180001A).



180° HINGES	
EUCE CODE	DOOR HEIGHT
EUCE-180001	1800 - 2000
EUCE-180002	2200
EUCE-180003	1400 - 1600

RAIL H=50 MM WTPR

A unique easy mounted rail is used for all applications (horizontal, lateral and vertical mounting).

CHARACTERISTICS

Manufactured from 1.5 mm thick sendzimir sheet steel with holes at 25 mm. To be assembled to the structure with fixing brackets for rails WTSF-001.

SUPPLY

Includes 4 pieces.

Note: fixing brackets WTSF-001 to be ordered separately.

RAILS H=50 MM	
WTPR CODE	RAIL LENGTH
WTPR-050040	300
WTPR-050050	400
WTPR-050060	500
WTPR-050080	700
WTPR-050100	900
WTPR-050120	1100
WTPR-050140	1300
WTPR-050160	1500
WTPR-050180	1700
WTPR-050200	1900
WTPR-050220	2100



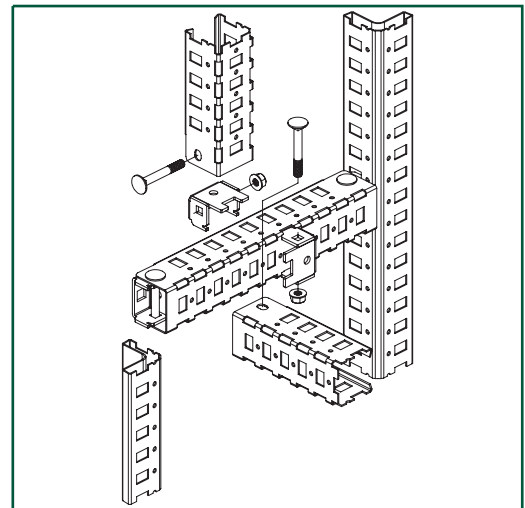
FIXING BRACKETS FOR RAILS WTSF-001

CHARACTERISTICS

Manufactured from 2.5 mm thick zincpassivated sheet steel.

SUPPLY

Includes 8 pieces with mounting accessories.



FAST FIXING BRACKETS WTPR - R

A cost effective solution allowing rapid fixing and professional result.

CHARACTERISTICS

Manufactured from 2.0 mm thick sendzimir sheet steel.

SUPPLY

Includes 4 pieces.

Note: self-tapping screws WA218 (supply includes 50 screws) to be ordered separately.

RAILS H=25 MM	
WTPR CODE	CABINET DIMENSIONS
WTPR-025040R	400
WTPR-025050R	500
WTPR-025060R	600
WTPR-025080R	800
WTPR-025100R	1000



RAILS H=50 MM	
WTPR CODE	CABINET DIMENSIONS
WTPR-050040R	400
WTPR-050050R	500
WTPR-050060R	600
WTPR-050080R	800
WTPR-050100R	1000

WA218

Zincpassivated self-tapping screws \varnothing 5.5x13.

SUPPLY

Includes 50 pieces.

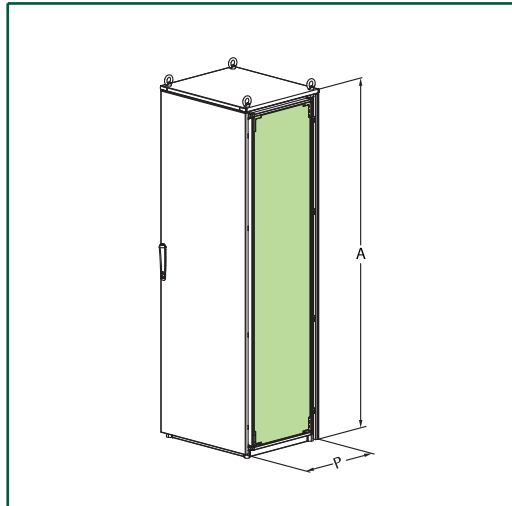


BLANK VERTICAL DIVIDING PANEL EUD1

Manufactured from 1.5 mm thick sendzimir sheet steel then folded on the sides. To be used to separate two cabinets.

SUPPLY

Includes 1 piece complete with mounting accessories.

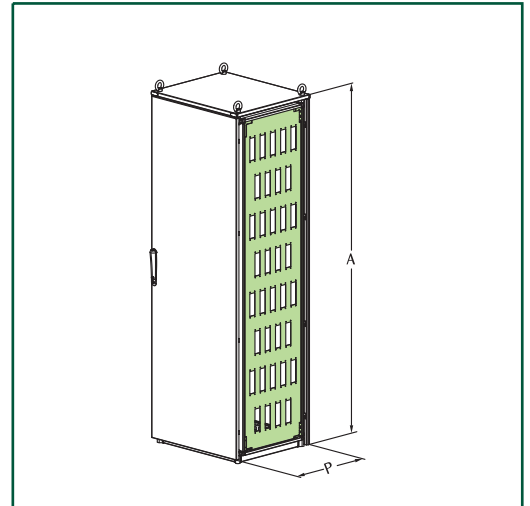


PUNCHED PARTITION PANEL EUD2

Punched partition panel for 24 pole connectors, manufactured from 1.5 mm thick sendzimir sheet steel.

SUPPLY

Includes 1 piece complete with mounting accessories.



BLANK VERTICAL DIVIDING PANEL

EUD1 CODE	CABINET DIMENSIONS	
	P	A
EUD1-040140	414	1409
EUD1-040160	414	1609
EUD1-040180	414	1809
EUD1-040200	414	2009
EUD1-050140	514	1409
EUD1-050160	514	1609
EUD1-050180	514	1809
EUD1-050200	514	2009
EUD1-050220	514	2209
EUD1-060160	614	1609
EUD1-060180	614	1809
EUD1-060200	614	2009
EUD1-060220	614	2209
EUD1-080180	814	1809
EUD1-080200	814	2009
EUD1-080220	814	2209

Note: when we have 2 suite cabinets + EUD1, the protection rating inside the cabinet is IP2X.

PUNCHED PARTITION PANEL

EUD2 CODE	CABINET DIMENSIONS		
	P	A	HOLES NO.
EUD2-050180	514	1809	36
EUD2-050200	514	2009	40
EUD2-060180	614	1809	44
EUD2-060200	614	2009	49
EUD2-080180	814	1809	68
EUD2-080200	814	2009	76

Note: when we have 2 suite cabinets + EUD2, the protection rating inside the cabinet is IP2X.

WE350Z

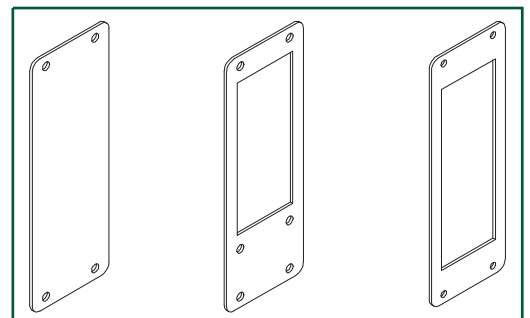
Closing plate (supply includes 1 piece).

WE351Z

Reducer 24/16 poles (supply includes 1 piece).

WE352

Gasket (supply includes 1 piece).



DOOR LOCK FOR CABINETS JOINED IN A SUITE WTBP

It can be used on E NUX enclosures joined in a suite, as a complement to the door lock of the standard main switches. The secondary doors in line are opened only after the main door/s has opened. The position of the main switch of flat-pack enclosures is not binding, as it is independent of the door recess. The opening/closing of secondary doors occurs simultaneously, following the locking/unlocking of the door with the main switch.

CHARACTERISTICS

Door lock parts manufactured from 2.5 mm thick galvanized sheet steel. Connection blocks and transmission rods manufactured from galvanized sheet steel.

1 WTBP-001

Control device for enclosure with main switch (main panel). Consider one piece per battery.

2 WTBPB-001

Door lock for cabinets joined in a suite (to be installed on secondary cabinets). Consider one piece for each single door and master door of the double door cabinet.

4 WTBPB-060 W=600

WTBPB-080 W=800

WTBPB-120 W=1200

Transmission rods (1 piece) to transfer the lock status from the main to the secondary enclosures. For each secondary enclosure, one rod of the same size as the enclosure is required.

3 + 5 WTBPB-001

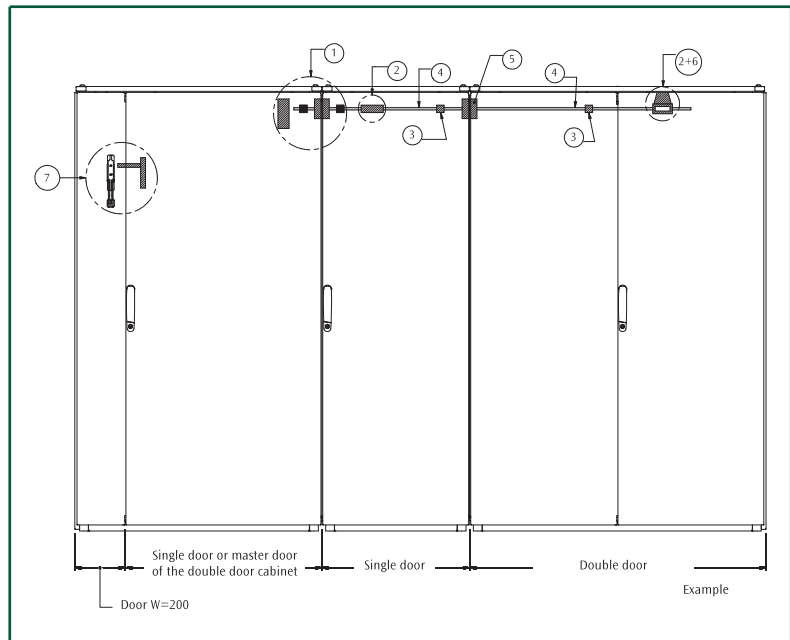
Rod joining blocks (5 pcs) and intermediate supports (5 pcs).

6 WTBPB-001

Door block support for final enclosure. Consider one piece per battery.

8 WTBPB-002 (optional)

Safety kit for complete door closing. Consider one piece for each WTBPB-001.



Suite

DISCONNECTING SWITCH WTBPB-001 (US VERSION)

Regulations for the US market prescribe a safety lock for a single enclosure or a set of flat-pack enclosures. The disconnecting switch can be installed only with the following models of main switches:

- 1494 V-H1 (operating lever) - Allen Bradley
- 9422 A1 - Square D
- Max Flex Series/ FHOH - ITE Siemens
- Type 1 and 2 – General Electric TDA.

7 WTBPB-001

Safety lock for main door (for US). Consider one piece per cabinet.

For complete installation, a system with door lock for main enclosure, locks for secondary doors and transmission rods of the same width as the enclosure is required.

CHARACTERISTICS

Door lock parts manufactured from 2.5 mm thick galvanized sheet steel.

Note: for enclosures joined in a suite, the main enclosures that incorporate the disconnecting switches can be aligned only to the right (US version).

DOOR INTERLOCK WTBP-001

This mechanical door interlock allows the opening of the second door only when the main one is open.

CHARACTERISTICS

Manufactured from 2.0 mm thick zincpassivated sheet steel.

SUPPLY

Includes 1 piece supplied with mounting accessories.





Suite



CORNER CABINET

CHARACTERISTICS

Manufactured from 1.5 mm thick press bent sheet steel.

PAINT FINISH

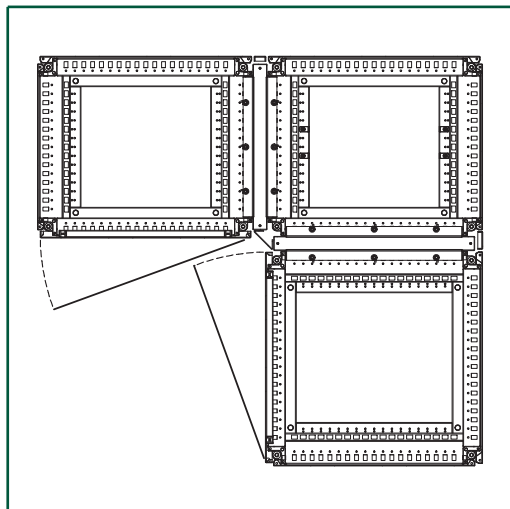
Colour: RAL 7035 textured finish.

SUPPLY

- joining frame
- removable front trim panel
- side trim panels
- gasket and mounting accessories.

PROTECTION RATING

- IP55 complying with IEC EN62208; EN60529
- NEMA 12 complying with UL508A; UL50
- impact resistance IK10 complying with IEC EN62208; EN62202.



Note: available on request.



FRAME JOINING KIT BACK TO BACK EUTP

CHARACTERISTICS

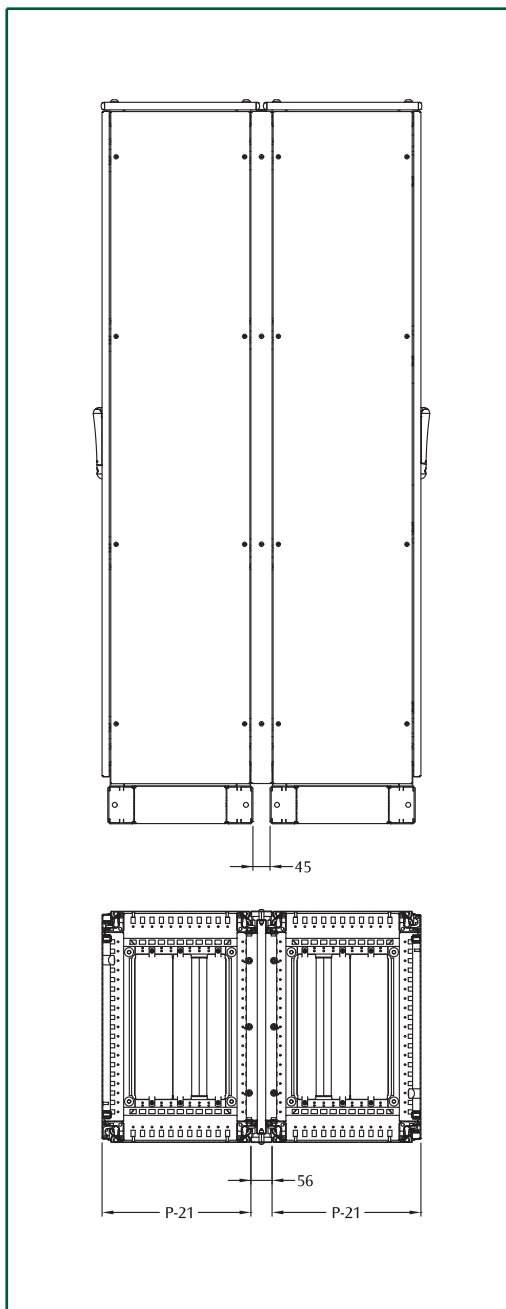
Special kit to join cabinets back to back, manufactured from 1.5 mm thick press bent sheet steel.

PAINT FINISH

Colour: RAL 7035 textured finish.

SUPPLY

- joining frame
- trim covers with gasket and mounting accessories.



FRAME JOINING KIT BACK TO BACK

EUTP CODE	CABINET DIMENSIONS	
	WIDTH	HEIGHT
EUTP060180	600	1800
EUTP080180	800	1800
EUTP120180	1200	1800
EUTP060200	600	2000
EUTP080200	800	2000
EUTP122000	1200	2000

DIMENSIONAL SPECIFICATIONS

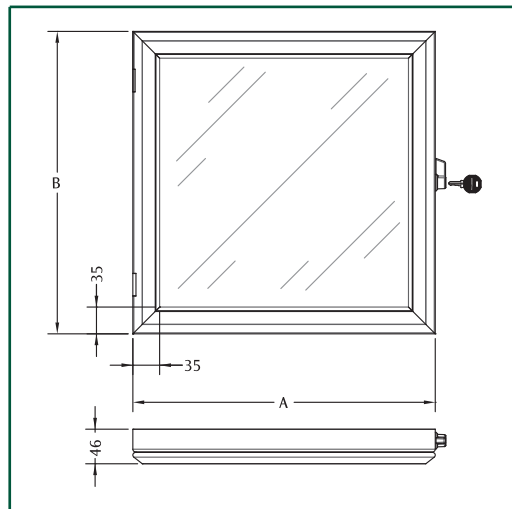
CABINET DEPTH	P
400	414
500	514
600	614
800	814
1000	1014

ALUMINIUM WINDOW WIPX

To be used to protect components mounted on the door. Manufactured from anodized aluminium with glazed panel and sealing gasket.

SUPPLY

Includes 1 piece.



ALUMINIUM WINDOW

WIPX CODE	A	B
WIPX-44	400	400
WIPX-55	500	500
WIPX-66	600	600

Note other dimensions available on request from 300x300.

DOOR RAIL WTTO

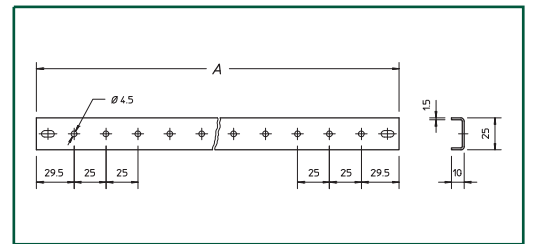
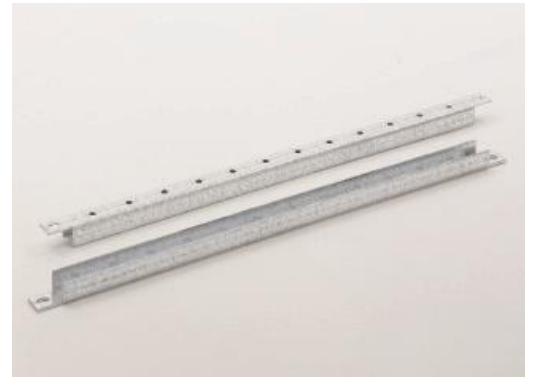
To be applied to the door stiffening frame to allow the fixing of cables or trunking.

CHARACTERISTICS

Manufactured from 1.5 mm thick sendzimir sheet steel.

SUPPLY

Includes 2 pieces complete with mounting accessories.



DOOR RAIL

WTTO CODE	CABINET WIDTH	A
WTTO-000400	400	284
WTTO-000600	600-1200	484
WTTO-000700	1400	584
WTTO-000800	800-1600	684
WTTO-001000	1000	884



PLAN POCKET WTTS

CHARACTERISTICS

Large size plan pocket manufactured from 1.5 mm thick sheet steel.

PAINT FINISH

Colour: RAL 7035.

SUPPLY

Includes 1 piece complete with mounting screws

PLAN POCKET	
WTTS CODE	CABINET WIDTH
WTTS000500	500
WTTS000600	600
WTTS000700	700
WTTS000800	800
WTTS001000	1000

DRAWING DESK WTRL

The desk provides a stable surface for documents, computer or measuring devices; it can be easily folded and locked within the door frame space. To be mounted directly onto the stiffening frame of E NUX blank doors.

CHARACTERISTICS

Manufactured from 1.5 mm thick sheet steel.

PAINT FINISH

ETA standard epoxy polyester powder coating. Colour: RAL 7035 textured finish.

SUPPLY

Includes 1 piece with mounting accessories.



DRAWING DESK	
WTRL CODE	CABINET WIDTH
WTRL000600	600
WTRL000800	800

PLAN POCKET WA050

A4 sheet size plan pocket manufactured from thermoplastic material.

SUPPLY

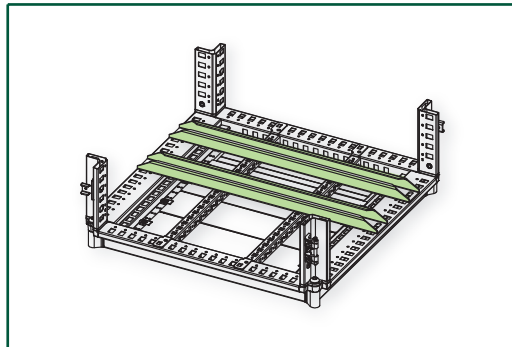
Includes 1 piece with double sided adhesive tape.

TRANSFORMER SUPPORT WTST

Manufactured from 2.5 mm thick press bent sendzimir sheet steel allowing the sliding of special nuts. The two rails and the nuts are adjustable, thus allowing easy fixing and positioning of transformers.

SUPPLY

Includes 2 rails with mounting accessories.



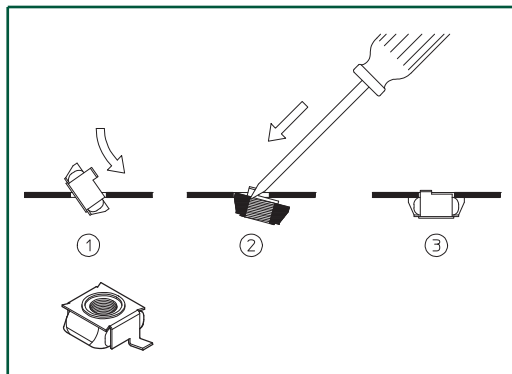
TRANSFORMER SUPPORT	
WTST CODE	CABINET WIDTH
WTST-000400	400
WTST-000600	600
WTST-000800	800
WTST-001000	1000
WTST-001200	1200
WTST-001400	1400
WTST-001600	1600

Note: for E NUX cabinet with medium/high loads, fast fixing brackets are suggested (please check on page 73).



CAGE NUTS M8 WTDA-001

Supply includes 20 pieces.



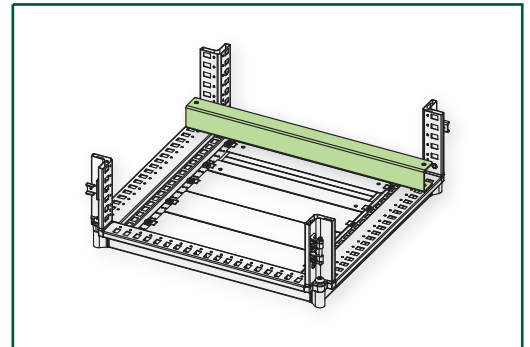
RAILS FOR CABLE FIXING WTTF

CHARACTERISTICS

Manufactured from 3.0 mm thick zincpassivated sheet steel.

SUPPLY

Includes 1 piece with mounting accessories.



RAILS FOR CABLE FIXING	
WTTF CODE	CABINET WIDTH
WTTF-000400	400
WTTF-000600	600
WTTF-000800	800
WTTF-001000	1000
WTTF-001200	1200
WTTF-001400	1400
WTTF-001600	1600



WA385

Special sliding nuts to fix transformer. Supply includes 4 nuts, screws and washers.

MARKER W17035

Easy to use, it is used for minor adjustment on painted surfaces. Colour: RAL 7035

CABLE HOLDING BAR WTSU-001

C-shaped drilled bar with 30x15 mm dimensions, to be mounted horizontally for anchoring and structured cabling.

CHARACTERISTICS

Manufactured from 2.0 mm thick sheet steel.

SUPPLY

Includes one piece (L=2000 mm). Exact length to be specified when ordering.

Note: supporting brackets WTSQ-001 for width < 800 or WTSQ-005 for width ≥ 1000 to be ordered separately.



SUPPORTING BRACKETS WTSQ-001

Required to fasten the WTSU cable holding bar to the back panel. Fully compatible with 25 mm pitch drilling, they can be used as universal supporting brackets.

CHARACTERISTICS

Manufactured from die-cast zinc alloy.

SUPPLY

Package with 2 pieces complete with screws (see A).

Note: for cabinet width ≥ 1000, order code WTSQ-005 (including 3 brackets and a compensation shim - see B).



Fig. A



Fig. B

CABLE CLAMPING BRACKET WTSM

To be applied onto WTSU cable holding bar.

CABLE CLAMPING BRACKET

WTSM CODE	CABLE Ø EXT. IN MM	SUPPLY
WTSM-016	16	10 pcs.
WTSM-032	32	10 pcs.
WTSM-052	52	5 pcs.
WTSM-082	82	5 pcs.



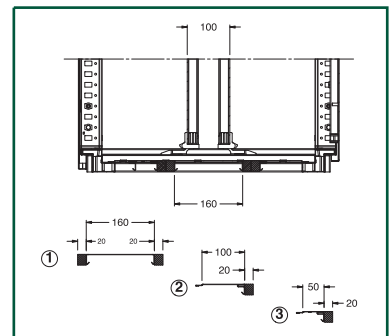
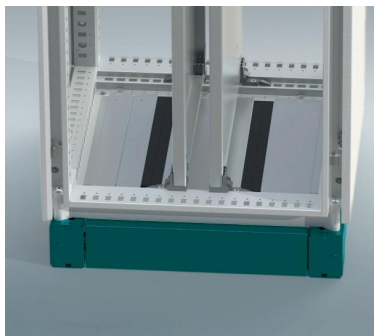
BASE PLATE FOR DOUBLE MOUNTING PLATE WTTG

CHARACTERISTICS

Manufactured from 1.0 mm thick sheet steel.

SUPPLY

Includes 1 piece complete with gasket. For double cable entry, supply includes 2 pieces complete with gasket.



BASE PLATE FOR DOUBLE MOUNTING PLATE

BASE PLATE	CABINET WIDTH						
	400	600	800	1000*	1200*	1400*	1600*
1 (D=160 MM)	WTTG-040160	WTTG-060160	WTTG-080160	WTTG-100160	WTTG-120160	WTTG-140160	WTTG-160160
2 (D=100 MM)	WTTG-040100	WTTG-060100	WTTG-080100	WTTG-100100	WTTG-120100	WTTG-140100	WTTG-160100
3 (D=50 MM)	WTTG-040050	WTTG-060050	WTTG-080050	WTTG-100050	WTTG-120050	WTTG-140050	WTTG-160050

* Cabinets with double cable entry

FLUORESCENT LAMP WTLA

The fluorescent lamps are characterized with electronic circuits that both increase the luminous emission and at the same time eliminate the stroboscopic effect of the traditional neon lamps. The electronic lamps WTLA last more than the neon and incandescent ones, so they are more efficient, convenient & energy savers and they comply better with the existing norms of the lighting systems. Up to 5 lamps can be mounted in a single cabinet.

CHARACTERISTICS

Casing in aluminium finishing, diffuser in methacrylate with switch.

SUPPLY

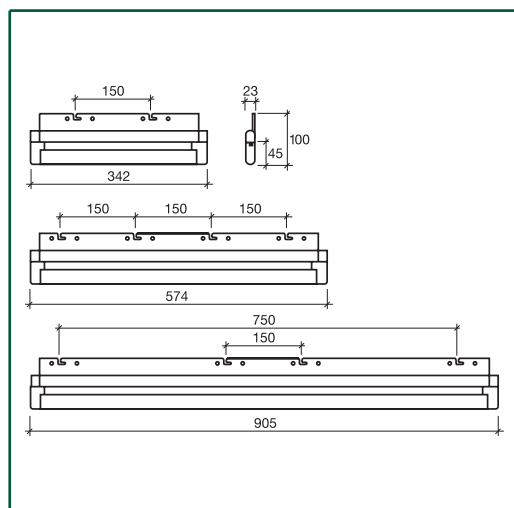
Includes 1 piece supplied with adjustable fixing brackets, mounting accessories and a bipolar connector for the wiring.

MARK



PROTECTION RATING

IP20.



FLUORESCENT LAMP

WTLA CODE	NOMINAL VOLTAGE FREQUENCY	POWER W	LENGTH MM
WTLA-050	220÷240V 50÷60Hz	8	342
WTLA-060	220÷240V 50÷60Hz	13	574
WTLA-065	110÷130V 60Hz	13	574
WTLA-070	220÷240V 50÷60Hz	21	905

FLUORESCENT LAMP WTLA-030/WTLA-035

Fluorescent lamp 11W, 230V nominal voltage, with SCHUKO style power suitable for all the cabinets and panels:

- the installation support is included and further devices can be used
- the lamp can be mounted with screws on narrow or large areas and it can be fixed to DIN profiles of 35 mm
- available on request without plug (WTLA-035).

MARK



Note fixing support WTSL-002 to be ordered separately.



LAMP SUPPORT WTSL-002

Manufactured from 1.5 mm thick sendzimir sheet steel.



MAGNETIC PLATE WTPM-001

Used in alternative when the space available for fixing the lamp is reduced.



POWER CONNECTOR WTCA-001

Power connector for lamp joined in sequence.

SUPPLY

Includes 1 piece with mounting accessories.

VDE OUTLET WTVD-001

For application on DIN profile.
Dimensions: W x H x D = 52 x 52 x 59.



MICROSWITCH WI100

Complying with IEC 337-VDE 0660.
Fast-installed thermoplastic support.

SUPPLY

Includes microswitch with support and mounting accessories.

CONFORMITY AND APPROVAL



CABINET MOUNTING KIT EUKM-001

Dynamometric key.



THREE-PHASE FLASHING SAFETY DEVICE WI105

The device indicates the power status of the distribution board and shows it visually by means of three high-yield LEDs. It is connected directly after the main switch and positioned so that it is clearly visible when the door is opened. Flashing indicates dangerous voltage. The electronic circuit based on SMD technology is optimized for multiple voltage RATING (110÷690V) both for single-phase and three-phase circuits. The safety device WI105 is also provided with electrically separated protection terminals to insulate the parts under voltage, suitable for large section wires (2.5 mm²) and with screw terminals up to 5mm diameter.

SUPPLY

- metal fixing bracket
- flashing device
- interlocking limit switch with NC contact for auxiliary circuits.

CONFORMITY AND APPROVAL



compliant with IEC 947-5-1 CEI 7.45 EN60947.5.1.

PROTECTION CLASS

II.



Note: upon request, a N.O. contact WI107 can be supplied separately.

CABINET MOUNTING KIT EUKM-004

Kit of 2 Allen wrenches (1 for dynamometric key and 1 for electric screwer).



Note: available on request:

- electric screwer with battery charger (EUKM-002)
- professional electric drill with battery charger (EUKM-003).

EXAMPLE

Cabinet dimensions 800 x 2000 x 600 (W x H x D) with blank front door and screwed rear panel, complete with mounting plate, side panels and plinth.

Suite

CODE		STRUCTURE
ENUX	0 8 2 0 0 6 P R	1 Indicative code
1	2 3 4 5	2 It shows the width of the cabinet
		3 It shows the height of the cabinet
		4 It shows the depth of the cabinet
		5 Suffix that shows the cabinet composition

PR stands for the cabinet structure with front door and screwed rear panel.
If a front glazed door is required, it is necessary to change the suffix PR with PV (ENUX082006PV). If blank doors are required in the front and in the rear, the suffix changes to DP (ENUX082006DP).

Single packaging.

CODE		FRONT INSERTED MOUNTING PLATE
EUPA -	0 8 0 2 0 0	1 Indicative code
1	2 3	2 It shows the cabinet width
		3 It shows the cabinet height

It shows a front inserted mounting plate.
If a side inserted mounting plate is required, the code is EUPL-080200.
Single packaging.

WTKB - 002

Mounting accessories for EUPA mounting plate (to be ordered separately).

CODE		SIDE PANELS (2 PIECES)
EUFI	0 6 0 2 0 0	1 Indicative code
1	2 3	2 It shows the depth of the cabinet
		3 It shows the height of the cabinet

It shows two side panels complete with mounting accessories.
Single packaging.

CODE		UNIVERSAL PLINTH EUZE
EUZE -	A 1 0 0	1 Indicative code
1	2	2 It shows the height of the plinth
EUZE -	T 0 8 0 0	1 Indicative code
1	2	2 It shows the cabinet/plinth width
EUZE -	T 0 6 0 0	1 Indicative code
1	2	2 It shows the cabinet/plinth depth

It shows the complete plinth H=100 mm, consisting in 3 different packages.
It shows the corner pieces of the plinth H=100, complete with front covers and mounting accessories (supply includes 4 pieces).
It shows the front crosspieces W=800 (supply includes 2 pieces).
It shows the side crosspieces D=600 (supply includes 2 pieces).
If a 200 mm high plinth is required, the code of the corner plinth is EUZE-A200, for the front and side crosspieces H=200, please add D to the code (EUZE-T0800D and EUZE-T0600D).

Note: for E NUX SIMPLEX, see the specific section on page 42 and add the suffix L to the code of the cabinet (i.e. ENUX082006PRL) and the mounting plate (i.e. EUPA-080200L).

IN SUMMARY

CODES FOR AN ASSEMBLED E NUX		
1	ENUX082006PR	1 pc.
2	EUPA-080200	1 pc.
3	WTKB-002	1 pc.
4	EUFI060200	1 pc.
5	EUZE-A100	1 pc.
6	EUZE-T0800	1 pc.
7	EUZE-T0600	1 pc.

COMPLETE CABINET

IN SUMMARY

CODES FOR AN ASSEMBLED E NUX SIMPLEX		
1	ENUX082006PRL	1 pc.
2	EUPA-080200L	1 pc.
3	WTKB-002	1 pc.
4	EUFI060200	1 pc.
5	EUZE-A100	1 pc.
6	EUZE-T0800	1 pc.
7	EUZE-T0600	1 pc.

COMPLETE CABINET

EXAMPLE

Cabinet dimensions 800 x 2000 x 600 (W x H x D) with front blank door and screwed rear panel, complete with mounting plate, side panels and plinth.

<p>CODE</p> <p>EUTF 1</p> <table border="1"> <tr><td>0</td><td>8</td><td>0</td><td>0</td><td>6</td><td>0</td></tr> <tr><td>2</td><td></td><td></td><td></td><td>3</td><td></td></tr> </table>		0	8	0	0	6	0	2				3		<p>ROOF/BOTTOM</p> <p>1 Indicative code 2 It shows the width of the cabinet 3 It shows the depth of the cabinet</p>	<p>It shows roof and bottom pre-assembled. Single packaging complete with mounting screws.</p>
0	8	0	0	6	0										
2				3											
<p>CODE</p> <p>EUPO 1</p> <table border="1"> <tr><td>0</td><td>8</td><td>0</td><td>2</td><td>0</td><td>0</td></tr> <tr><td>2</td><td></td><td></td><td></td><td>3</td><td></td></tr> </table>		0	8	0	2	0	0	2				3		<p>FRONT BLANK DOOR</p> <p>1 Indicative code 2 It shows the width of the cabinet 3 It shows the height of the cabinet</p>	<p>It shows the blank door supplied with two uprights complete with pre-assembled hinges and closing latches. If a glazed door is required, the code is EUPV080200.</p> <p>Single packaging.</p>
0	8	0	2	0	0										
2				3											
<p>CODE</p> <p>EURE 1</p> <table border="1"> <tr><td>0</td><td>8</td><td>0</td><td>2</td><td>0</td><td>0</td></tr> <tr><td>2</td><td></td><td></td><td></td><td>3</td><td></td></tr> </table>		0	8	0	2	0	0	2				3		<p>REAR PANEL (SCREWED)</p> <p>1 Indicative code 2 It shows the width of the cabinet 3 It shows the height of the cabinet</p>	<p>It shows the screwed rear panel supplied with two uprights complete with pre-assembled blocks for fixing screws.</p> <p>Single packaging.</p>
0	8	0	2	0	0										
2				3											
<p>CODE</p> <p>EUPA - 1</p> <table border="1"> <tr><td>0</td><td>8</td><td>0</td><td>2</td><td>0</td><td>0</td></tr> <tr><td>2</td><td></td><td></td><td></td><td>3</td><td></td></tr> </table>		0	8	0	2	0	0	2				3		<p>FRONT INSERTED MOUNTING PLATE</p> <p>1 Indicative code 2 It shows the width of the cabinet 3 It shows the height of the cabinet</p>	<p>It shows a front inserted mounting plate. If a side inserted mounting plate is required, the code is EUPL-080200.</p> <p>Single packaging.</p>
0	8	0	2	0	0										
2				3											
<p>WTKB - 002</p>		<p>Mounting accessories of EUPA mounting plate (to be ordered separately).</p>													
<p>CODE</p> <p>EUFI 1</p> <table border="1"> <tr><td>0</td><td>6</td><td>0</td><td>2</td><td>0</td><td>0</td></tr> <tr><td>2</td><td></td><td></td><td></td><td>3</td><td></td></tr> </table>		0	6	0	2	0	0	2				3		<p>SIDE PANELS (2 PIECES)</p> <p>1 Indicative code 2 It shows the depth of the cabinet 3 It shows the height of the cabinet</p>	<p>It shows the couple of the side panels complete with mounting accessories.</p> <p>Single packaging.</p>
0	6	0	2	0	0										
2				3											
<p>CODE</p> <p>EUZE - 1</p> <table border="1"> <tr><td>A</td><td>1</td><td>0</td><td>0</td><td></td><td></td></tr> <tr><td>2</td><td></td><td></td><td></td><td></td><td></td></tr> </table>		A	1	0	0			2						<p>UNIVERSAL PLINTH EUZE</p> <p>1 Indicative code 2 It shows the height of the plinth</p>	<p>It shows the complete plinth H=100mm, consisting in 3 different packages.</p> <p>It shows the corner pieces of the plinth H=100, complete with front covers and mounting accessories (supply includes 4 pieces)</p>
A	1	0	0												
2															
<p>EUZE - 1</p> <table border="1"> <tr><td>T</td><td>0</td><td>8</td><td>0</td><td>0</td><td></td></tr> <tr><td>2</td><td></td><td></td><td></td><td></td><td></td></tr> </table>		T	0	8	0	0		2						<p>1 Indicative code 2 It shows the cabinet/plinth width</p>	<p>It shows the front crosspieces W=800 (supply includes 2 pieces).</p>
T	0	8	0	0											
2															
<p>EUZE - 1</p> <table border="1"> <tr><td>T</td><td>0</td><td>6</td><td>0</td><td>0</td><td></td></tr> <tr><td>2</td><td></td><td></td><td></td><td></td><td></td></tr> </table>		T	0	6	0	0		2						<p>1 Indicative code 2 It shows the cabinet/plinth depth</p>	<p>It shows the side crosspieces D=600 (supply includes 2 pieces).</p> <p>If a 200 mm high plinth is required, the code of the corner plinth is EUZE-A200, for the front and side crosspieces H=200, please add D to the code (EUZE-T0800D and EUZE-T0600D).</p>
T	0	6	0	0											
2															

Note: for E NUX SIMPLEX, see the specific section on page 42 and add the suffix L to the code of the door (i.e. EUP0080200L) and the mounting plate (i.e. EUPA-080200L).

IN SUMMARY

CODES FOR A FLAT-PACK E NUX		
1	EUTF080060	1 pc.
2	EUPO080200	1 pc.
3	EURE080200	1 pc.
4	EUPA-080200	1 pc.
5	WTKB-002	1 pc.
6	EUFI060200	1 pc.
7	EUZE-A100	1 pc.
8	EUZE-T0800	1 pc.
9	EUZE-T0600	1 pc.
	COMPLETE CABINET	

IN SUMMARY

CODES FOR A FLAT-PACK E NUX SIMPLEX		
1	EUTF080060	1 pc.
2	EUPO080200L	1 pc.
3	EURE080200	1 pc.
4	EUPA-080200L	1 pc.
5	WTKB-002	1 pc.
6	EUFI060200	1 pc.
7	EUZE-A100	1 pc.
8	EUZE-T0800	1 pc.
9	EUZE-T0600	1 pc.
	COMPLETE CABINET	