



innovative  
enclosure solutions  
for industrial & electronic  
applications

# GENERAL CATALOGUE

Release 20



# CABINETS

---

[SUITE CABINETS E NUX](#)

[MONOBLOC CABINETS E MOX](#)

[COMPACT SOLUTIONS E COMP](#)

[MODULAR SOLUTIONS E NUX](#)

[PC CABINETS E NUX](#)

[RACK 19" AND NETWORKING SOLUTIONS E NUX](#)

Compact



**ETA QUALITY, STURDY**

E COMP represents the ideal solution to meet the need of a compact solution for both free-standing and wall-mounting applications.

The concept of E COMP make it available as the “link” between the E MOX monobloc cabinets and the ST wall-mounting boxes: E COMP has been designed for applications requiring a free-standing cabinet smaller than E MOX or a wall-mounting box larger than our ST.

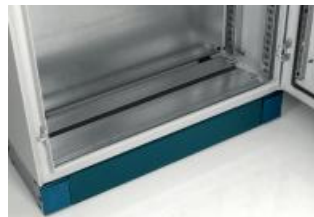
E COMP is perfectly compatible with ETA solutions, thanks to the advanced design, the differentiated colour impact, the innovative latching system. E COMP - featured with solidity and ergonomic design - is provided with modular cable entry and fits with ETA standard accessories.

**BENEFITS**

Aesthetic profile and new colour	Design
Compact solution for free-standing or wall-mounting applications	Solidity
Functional and ergonomic compatibility with new ETA product philosophy	Integration
Innovative latch system	Functionality
Perfect adherence to industry standards	Safety



Compact



e comp

COMPACT ENCLOSURE

### FEATURES

- 1 Visual uniformity with monobloc range E MOX and suite cabinets E NUX.
- 2 Completely welded enclosure.
- 3 Lifting with 2 eyebolts (same of E MOX cabinet) or wall-mounting with brackets (same of ST boxes).
- 4 3-points locking system with the possibility of mounting different inserts.
- 5 Front inserted mounting plate included in the supply.
- 6 Door with reinforcement sendzimir profiles provided with a centre-to-centre distance that is identical to the one of the E NUX door, for the fixation of the same rail.
- 7 Possibility to assemble vertical/horizontal profiles and fast-fixing brackets.
- 8 Modular cable entry bottom with adjustable base plates and seal.
- 9 Easy installation of the mounting plate and effective sliding thanks to specific guides.
- 10 Differentiated colour impact: RAL 7035 for the cabinet and new colour RAL 5020 matched with aesthetic profile, handle and plinth.
- 11 Fitting with ETA range of accessories and easy-to-assemble modular plinth EUZE.

Protection rating: IP55 - Nema 12 - IK10.





Compact



**CHARACTERISTICS**

Enclosure manufactured from 1.5 mm thick sheet steel. Door manufactured from 2.0 mm thick sheet steel. Mounting plate manufactured from 2.5 mm thick sendzimir sheet steel.

**PAINT FINISH**

ETA standard epoxy polyester powder coating.  
Enclosure and door: colour RAL 7035 textured finish.  
Aesthetic profile: colour RAL 5020 textured finish.

**SUPPLY**

- Enclosure supplied with:
- front aesthetic profile
  - door with 2 stiffening sendzimir profiles and ø 3 mm double bar locking system
  - adjustable cable entry
  - front-inserted mounting plate.

**PROTECTION RATING**

- IP55 according to IEC EN62208; EN60529
- NEMA 12 according to UL508A; UL50
- protection degree guaranteed by the two-component polyurethane foam
- impact resistance IK10 complying with IEC EN62208; EN62202.



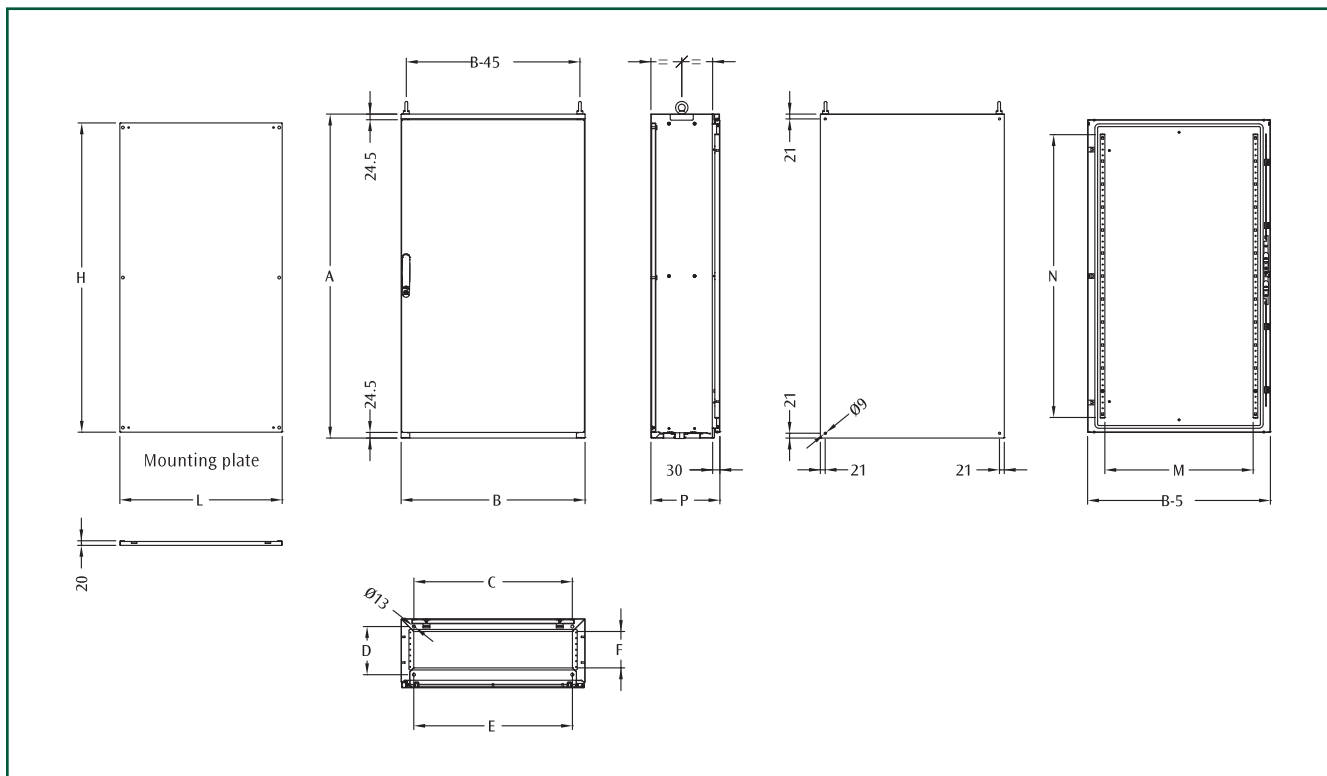
Universal plinth EUZE, see page 106



Eyebolts, see page 107



Wall-mounting brackets, see page 107



Compact

### DIMENSIONAL SPECIFICATIONS

E COMP CODE	CABINET DIMENSIONS			FLOOR FIXING		CABLE ENTRY		DOOR SPACE		M. PLATE DIM.	
	B	A	P	C	D	E	F	M	N	L	H
ECOMP61240	600	1209	400	489	310	490	260	445	1030	506	1145
ECOMP61430	600	1409	300	489	210	490	160	445	1230	506	1345
ECOMP61440	600	1409	400	489	310	490	260	445	1230	506	1345
ECOMP81240	800	1209	400	689	210	690	260	645	1030	706	1145
ECOMP81430	800	1409	300	689	310	690	160	645	1230	706	1345
ECOMP81440	800	1409	400	689	310	690	260	645	1230	706	1345

Note: available on request enclosure with plexi door. For the product code, add the suffix PV (i.e.: ECOMP61240PV).



Compact



**CHARACTERISTICS**

Enclosure manufactured from 1.5 mm thick sheet steel. Door manufactured from 2.0 mm thick sheet steel. Mounting plate manufactured from 2.5 mm thick sendzimir sheet steel.

**PAINT FINISH**

ETA standard epoxy polyester powder coating.  
Enclosure and door: colour RAL 7035 textured finish.  
Aesthetic profile: colour RAL 5020 textured finish.

**SUPPLY**

- Enclosure supplied with:
- front aesthetic profile
  - door with 2 stiffening sendzimir profiles and ø 3 mm double bar locking system
  - adjustable cable entry
  - front-inserted mounting plate.

**PROTECTION RATING**

- IP55 according to IEC EN62208; EN60529
- NEMA 12 according to UL508A; UL50
- protection degree guaranteed by the two-component polyurethane foam
- impact resistance IK10 complying with IEC EN62208; EN62202.



Universal plinth EUZE, see page 106

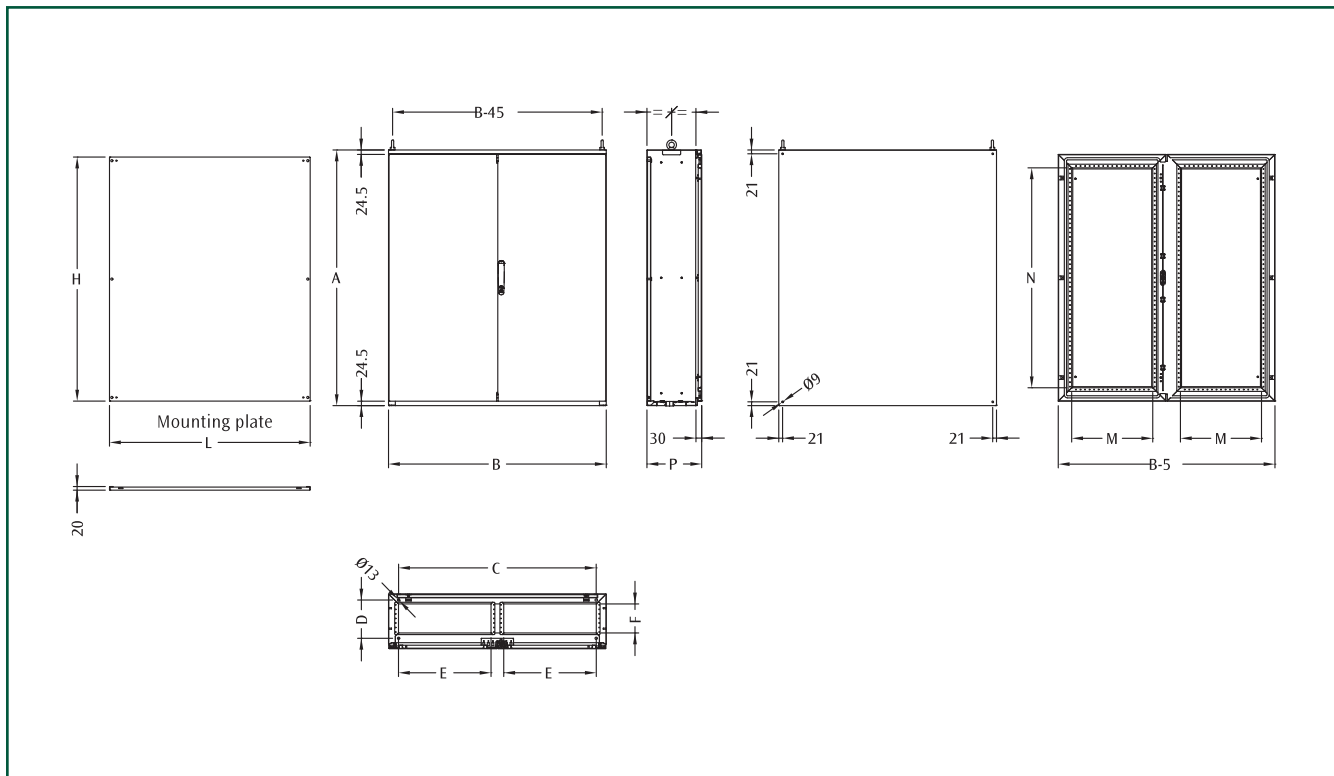


Eyebolts, see page 107



Wall-mounting brackets, see page 107

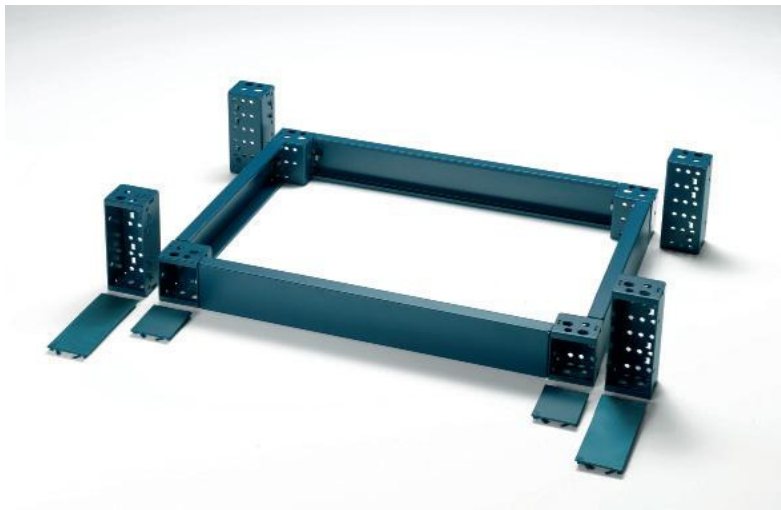




Compact

### DIMENSIONAL SPECIFICATIONS

E COMP CODE	CABINET DIMENSIONS			FLOOR FIXING		CABLE ENTRY		DOOR SPACE		MOUNT. PLATE DIM.	
	B	A	P	C	D	E	F	M	N	L	H
ECOMP101240	1000	1209	400	889	310	410	260	345	1030	906	1145
ECOMP101430	1000	1409	300	889	210	410	160	345	1230	906	1345
ECOMP101440	1000	1409	400	889	310	410	260	345	1230	906	1345
ECOMP121240	1200	1209	400	1089	310	510	260	345	1030	1106	1145
ECOMP121430	1200	1409	300	1089	210	510	160	445	1230	1106	1345
ECOMP121440	1200	1409	400	1089	310	510	260	445	1230	1106	1345



Compact

**MODULAR PLINTH EUZE**

**CHARACTERISTICS**

Corner pieces manufactured from 2.5 mm thick press bent sheet steel, with PVC front covers caps. Front and side crosspieces manufactured from 2.0 mm thick press bent sheet steel.

**PAINT FINISH**

ETA standard epoxy polyester powder coating. Colour: RAL 5020 textured finish.

**SUPPLY**

The modular plinth is made up of:

- corner pieces: supply includes 4 pieces complete with front covers and mounting hardware
- front crosspieces: supply includes 2 pieces
- side crosspieces: supply includes 2 pieces.

**UNIVERSAL CORNER PIECES**

EUZE CODE	DESCRIPTION
EUZE-A100	CORNER PIECES FOR PLINTH H=100
EUZE-A200	CORNER PIECES FOR PLINTH H=200

**Note:** supply includes 4 pieces with mounting accessories.

**FRONT CROSSPIECES**

EUZE CODE	DESCRIPTION	CROSS. LENGTH MM
EUZE-T0600	PLINTH FRONT CROSSPIECES W=600	444
EUZE-T0800	PLINTH FRONT CROSSPIECES W=800	644
EUZE-T1000	PLINTH FRONT CROSSPIECES W=1000	844
EUZE-T1200	PLINTH FRONT CROSSPIECES W=1200	1044

**Note:** to order the front and side crosspieces H=200, add the suffix "D" to the code (i.e.: EUZE-T0600D).

**Note:** supply includes 2 pieces.

**E COMP SIDE CROSSPIECES**

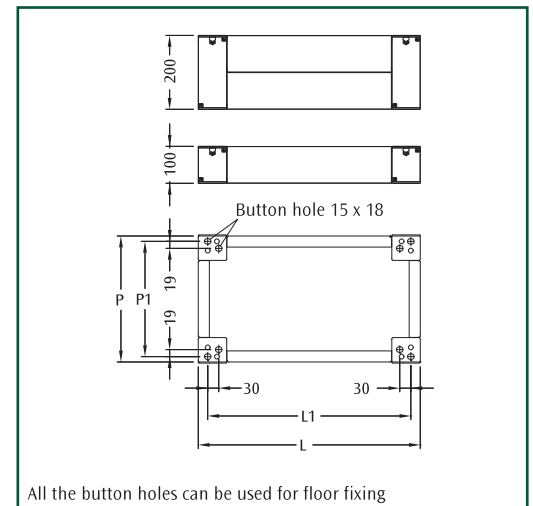
EUZE CODE	DESCRIPTION	CROSS. LENGTH MM
EUZE-T0300S	SIDE CROSSPIECES FOR PLINTH D=300	136
EUZE-T0400C	SIDE CROSSPIECES FOR PLINTH D=400	236

**Note:** to order the front and side crosspieces H=200, add the suffix "D" to the code (i.e.: EUZE-T0300SD).

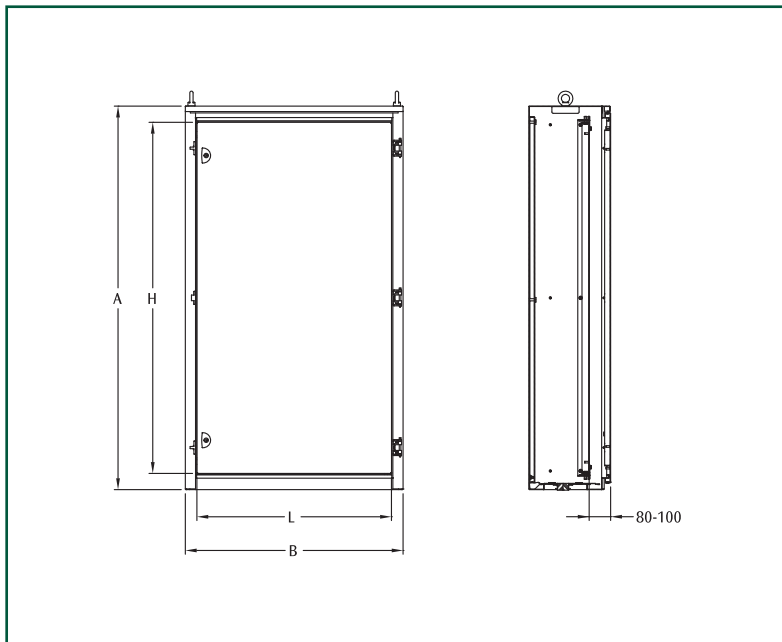
**Note:** supply includes 2 pieces.

**DIMENSIONAL SPECIFICATIONS**

DIMENSIONS		PLINTH DIMENSIONS		CENT. DISTANCES	
WIDTH	DEPTH	L	P	L1	P1
600	300	600	278	549	249
600	400	600	378	549	349
800	300	800	278	749	249
800	400	800	378	749	349
1000	300	1000	278	949	249
1200	300	1200	278	1149	249



All the button holes can be used for floor fixing



### KIT INNER DOOR EPP01

#### CHARACTERISTICS

Frame and door manufactured from 1.5 mm thick sheet steel.

#### PAINT FINISH

ETA standard epoxy polyester powder coating.  
Colour: RAL 7035 textured finish.

#### SUPPLY

- Includes:
- frame
  - door with  $\varnothing 3$  mm double bar locking system
  - mounting accessories.

#### PROTECTION RATING

- external: IP55
- internal: IP20.

Compact

### KIT INNER DOOR

EPP01 CODE	FOR COMPACT ENCLOSURES	DIMENSIONS		DOOR DIMENSIONS		N° OF LOCKING POINTS
		B	A	L	H	
EPP01612	ECOMP61240	600	1200	515	1090	2
EPP01614	ECOMP81240	800	1200	715	1090	2
EPP01812	ECOMP61440	600	1400	515	1290	2
EPP01814	ECOMP81440	800	1400	715	1290	2

### EYEBOLTS WTGS-003

Zincpassivated M12 lifting eyebolts.

#### SUPPLY

Includes 2 pieces with nuts and washers.

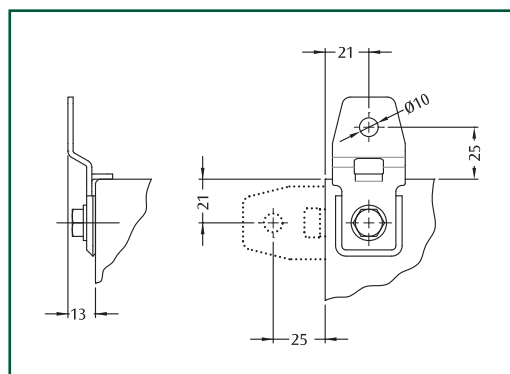


### WALL MOUNTING BRACKETS SDWC-010

Manufactured from 2.5 mm thick zincpassivated sheet steel.

#### SUPPLY

Includes 4 pieces.



### VERTICAL RAILS WTPR - P

Manufactured from 1.5 mm thick sendzimir sheet steel.

#### SUPPLY

Includes 4 pieces with mounting accessories.



VERTICAL RAILS	
WTPR CODE	CABINET HEIGHT
WTPR-050120P	1200
WTPR-050140P	1400

### 180° HINGES EUCE-180004

To be mounted on standard doors for 180° opening.

#### CHARACTERISTICS

Manufactured from zinc material.

#### PAINT FINISH

Colour: RAL 5020 smooth finish.

#### SUPPLY

Includes 3 hinges with mounting accessories.



### FAST FIXING BRACKETS WTPR - R

Manufactured from 1.5 mm thick sendzimir sheet steel, H=50 mm.

#### SUPPLY

Includes 4 pieces with mounting accessories.



FAST FIXING BRACKETS	
WTPR CODE	CABINET DEPTH
WTPR-050022R	300
WTPR-050032R	400

### SLIDING RAILS CSPP

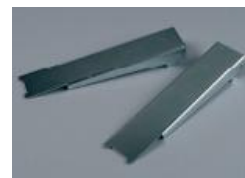
They allow easy installation of the mounting plate. Rails can be removed after installation and kept for future use.

#### CHARACTERISTICS

Manufactured from 2.0 mm thick sendzimir zinc sheet steel.

#### SUPPLY

Includes 2 pieces with mounting accessories.



SLIDING RAILS	
CSPP CODE	CABINET DEPTH
CSPP-00300	300
CSPP-00400	400