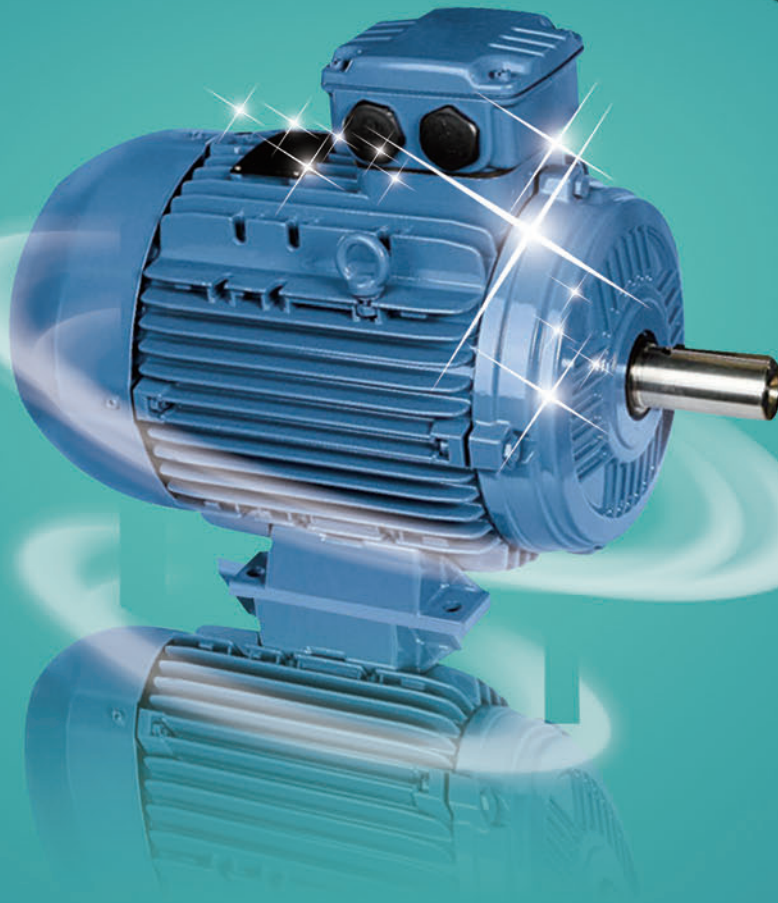


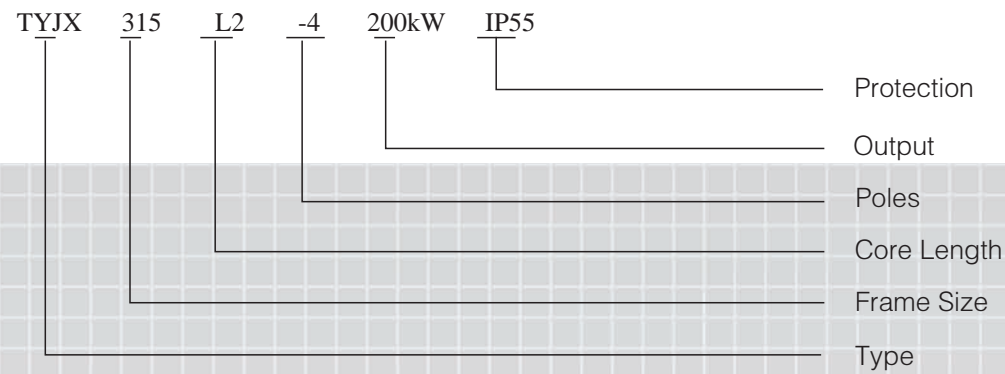


**TYJX Series Rare Earth Permanent
Magnet Excited Three Phase Synchronous Motor**

CE



Meaning of Type



TECHNICAL DATA

SPEED 3000RPM 2-POLES 50HZ

Type	Output		Speed r/min	Full load current at 380V A	Efficiency η %	Power factor Cos φ	Tst/Tn	Imax/In
	KW	HP						
TYJX-132S1-2P	5.5	7.3	3000	9.5	92.5	0.95	3.8	8.5
TYJX-132S2-2P	7.5	10	3000	12.7	93	0.96	3.8	8.5
TYJX-160M1-2P	11	14.6	3000	18.7	93	0.96	3.6	8.5
TYJX-160M2-2P	15	20	3000	25.2	94	0.96	3.6	8.5
TYJX-160L-2P	18.5	24.6	3000	31.1	94	0.96	3.6	8
TYJX-180M-2P	22	29.3	3000	36.8	94.5	0.96	3.6	8
TYJX-200L1-2P	30	40	3000	49.4	95	0.97	3.6	8
TYJX-200L2-2P	37	49.3	3000	61	95	0.97	3.6	8
TYJX-225M-2P	45	60	3000	73.8	95.5	0.97	3.6	8
TYJX-250M-2P	55	73.3	3000	90.2	95.5	0.97	3.6	8
TYJX-280S-2P	75	100	3000	122.3	96	0.97	3.6	7.5
TYJX-280M-2P	90	120	3000	146.8	96	0.97	3.6	7.5
TYJX-315S-2P	110	146.6	3000	176.7	96.5	0.98	3.6	7.5
TYJX-315M-2P	132	176	3000	212	96.5	0.98	3.6	7.5
TYJX-315L1-2P	160	213.3	3000	257	96.5	0.98	3.6	7.5
TYJX-315L2-2P	200	266.6	3000	319.6	97	0.98	3.6	7.5
TYJX-355M-2P	250	333.3	3000	399.5	97	0.98	3.6	7.5
TYJX-355L-2P	315	420	3000	503.4	97	0.98	3.6	7.5

SPEED 1500RPM 4-POLES 50HZ

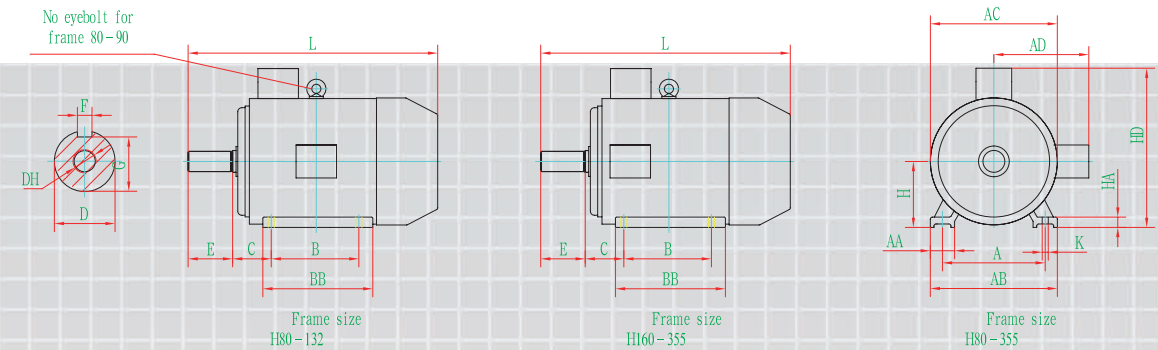
Type	Output		Speed r/min	Full load current at 380V A	Efficiency η %	Power factor Cos φ	Tst/Tn	Imax/In
	KW	HP						
TYJX-132S-4P	5.5	7.3	1500	9.5	92.5	0.95	3.8	8.5
TYJX-132M-4P	7.5	10	1500	12.8	93	0.95	3.8	8.5
TYJX-160M-4P	11	14.6	1500	18.7	94	0.95	3.8	8.5
TYJX-160L-4P	15	20	1500	25.1	94.5	0.96	3.8	8.5
TYJX-180M-4P	18.5	24.6	1500	30.9	94.5	0.96	3.8	8.5
TYJX-180L-4P	22	29.3	1500	36.6	95	0.96	3.6	8.5
TYJX-200L-4P	30	40	1500	49.7	95.5	0.96	3.6	8
TYJX-225S-4P	37	49.3	1500	60.6	95.5	0.97	3.6	8
TYJX-225M-4P	45	60	1500	73.4	96	0.97	3.6	8
TYJX-250M-4P	55	73.3	1500	89.7	96	0.97	3.6	8
TYJX-280S-4P	75	100	1500	122.3	96	0.97	3.6	8
TYJX-280M-4P	90	120	1500	146	96.5	0.97	3.6	8
TYJX-315S-4P	110	146.6	1500	178.5	96.5	0.97	3.6	7.5
TYJX-315M-4P	132	176	1500	210.9	97	0.98	3.6	7.5
TYJX-315L1-4P	160	213.3	1500	255.7	97	0.98	3.6	7.5
TYJX-315L2-4P	200	266.6	1500	319.6	97	0.98	3.6	7.5
TYJX-355M-4P	250	333.3	1500	399.5	97	0.98	3.6	7.5
TYJX-355L-4P	315	420	1500	503.4	97	0.98	3.6	7.5

SPEED 1000RPM 6-POLES 50HZ

Type	Output		Speed r/min	Full load current at 380V A	Efficiency η %	Power factor Cos ϕ	Tst/Tn	Imax/In
	KW	HP						
TYJX-132S-6P	3	4	1000	5.2	92	0.95	3.8	8.5
TYJX-132M1-6P	4	5.3	1000	6.9	92	0.95	3.8	8.5
TYJX-132M2-6P	5.5	7.3	1000	9.4	93	0.95	3.8	8.5
TYJX-160M-6P	7.5	10	1000	12.8	93	0.95	3.8	8.5
TYJX-160L-6P	11	14.6	1000	18.6	93.5	0.96	3.8	8.5
TYJX-180L-6P	15	20	1000	25.2	94	0.96	3.8	8.5
TYJX-200L1-6P	18.5	24.6	1000	31.1	94	0.96	3.8	8.5
TYJX-200L2-6P	22	29.3	1000	36.4	94.5	0.97	3.6	8.5
TYJX-225M-6P	30	40	1000	49.7	94.5	0.97	3.6	8
TYJX-250M-46	37	49.3	1000	61	95	0.97	3.6	8
TYJX-280S-6P	45	60	1000	74.1	95	0.97	3.6	8
TYJX-280M-6P	55	73.3	1000	90.2	95.5	0.97	3.6	8
TYJX-315S-6P	75	100	1000	122.3	96	0.97	3.6	8
TYJX-315M-6P	90	120	1000	145.3	96	0.98	3.6	8
TYJX-315L1-6P	110	146.6	1000	176.7	96.5	0.98	3.6	8
TYJX-315L2-6P	132	176	1000	212	96.5	0.98	3.6	8
TYJX-355M1-6P	160	213.3	1000	255.7	97	0.98	3.6	8
TYJX-355M2-6P	200	266.6	1000	319.6	97	0.98	3.6	7.5
TYJX-355L-6P	250	333.3	1000	399.5	97	0.98	3.6	7.5

MOUNTING AND DIMENSIONS

IM B3 H80-355



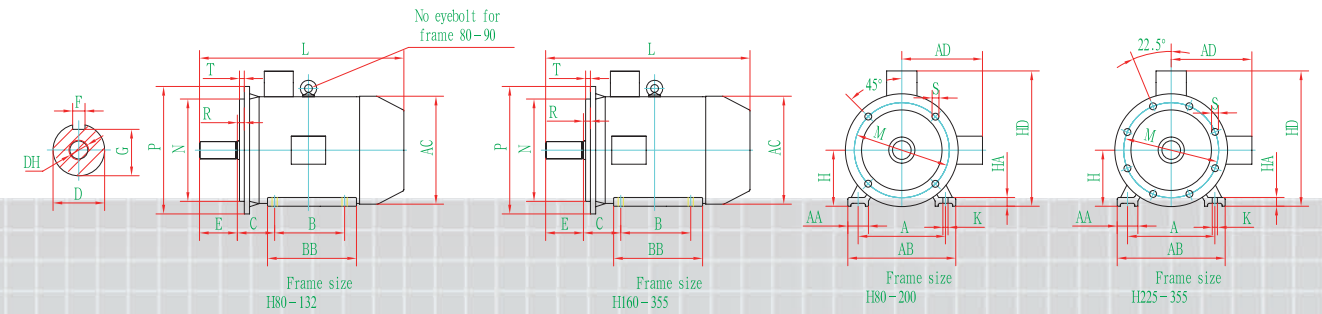
Type	Poles	Dimensions in mm																	
		A	AA	B	C	D*	E	F	G	H	K	AB	AC	AD	HD	L	BB	HA	(DH)*
TYJX-80	2、4、6	125	34	100	50	19	40	6	15.5	80	10	165	167	145	220	305	142	10	M6 × 16
TYJX-90S	2、4、6	140	36	100	56	24	50	8	20	90	10	180	190	170	265	360	180	12	M8 × 19
TYJX-90L	2、4、6	140	36	125	56	24	50	8	20	90	10	180	190	170	265	390	220	12	M8 × 19
TYJX-100L	2、4、6	160	40	140	63	28	60	8	24	100	12	205	215	180	270	435	233	14	M10 × 22
TYJX-112M	2、4、6	190	45	140	70	28	60	8	24	112	12	230	240	200	310	470	248	15	M10 × 22
TYJX-132S	2、4、6	216	55	140	89	38	80	10	33	132	12	270	275	230	365	510	230	18	M12 × 28
TYJX-132M	2、4、6	216	55	178	89	38	80	10	33	132	12	270	275	230	365	560	230	18	M12 × 28
TYJX-160M	2	254	65	210	108	42	110	12	37	160	14.5	320	320	260	425	675	304	20	M16 × 36
	4、6	254	65	210	108	42	110	12	37	160	14.5	320	320	260	425	675	304	20	M16 × 36
TYJX-160L	2	254	65	254	108	42	110	12	37	160	14.5	320	320	260	425	705	304	20	M16 × 36
	4、6	254	65	254	108	42	110	12	37	160	14.5	320	320	260	425	705	304	20	M16 × 36
TYJX-180M	2	279	70	241	121	48	110	14	42.5	180	14.5	355	380	285	460	770	355	22	M16 × 36
	4、6	279	70	241	121	48	110	14	42.5	180	14.5	355	380	285	460	770	355	22	M16 × 36
TYJX-180L	2、4、6	279	70	279	121	48	110	14	42.5	180	14.5	355	380	285	460	800	355	22	M16 × 36

Type	Poles	尺寸 Dimensions in mm																	
		A	AA	B	C	D*	E	F	G	H	K	AB	AC	AD	HD	L	BB	HA	(DH)*
TYJX-200L	2	318	70	305	133	55	110	16	49	200	18.5	395	410	320	520	790	375	25	M20 × 42
	4、6	318	70	305	133	55	110	16	49	200	18.5	395	410	320	520	790	375	25	M20 × 42
TYJX-225S	2、4、6	356	75	286	149	60	140	18	53	225	18.5	435	470	350	575	830	370	28	M20 × 42
TYJX-225M	2	356	75	311	149	55	110	16	49	225	18.5	435	470	350	575	830	395	28	M20 × 42
	4、6	356	75	311	149	60	140	18	53	225	18.5	435	470	350	575	860	395	28	M20 × 42
TYJX-250M	2	406	80	349	168	60	140	18	53	250	24	490	490	390	635	990	445	30	M20 × 42
	4、6	406	80	349	168	65	140	18	58	250	24	490	490	390	635	990	445	30	M20 × 42
TYJX-280S	2	457	85	368	190	65	140	18	58	280	24	550	580	435	698	1035	490	35	M20 × 42
	4、6	457	85	368	190	75	140	20	67.5	280	24	550	580	435	698	1035	490	35	M20 × 42
TYJX-280M	2	457	85	419	190	65	140	18	58	280	24	550	580	435	698	1085	540	35	M20 × 42
	4、6	457	85	419	190	75	140	20	67.5	280	24	550	580	435	698	1085	540	35	M20 × 42
TYJX-315S	2	508	120	406	216	65	140	18	58	315	28	630	645	535	845	1185	570	45	M20 × 42
	4、6	508	120	406	216	80	170	22	71	315	28	630	645	535	845	1295	570	45	M20 × 42
TYJX-315M	2	508	120	457	216	65	140	18	58	315	28	630	645	535	845	1295	680	45	M20 × 42
	4、6	508	120	457	216	80	170	22	71	315	28	630	645	535	845	1325	680	45	M20 × 42
TYJX-315L	2	508	120	508	216	65	140	18	58	315	28	630	645	535	845	1295	680	45	M20 × 42
	4、6	508	120	508	216	80	170	22	71	315	28	630	645	535	845	1325	680	45	M20 × 42
TYJX-355M	2	610	120	560	254	75	140	20	67.5	355	28	730	720	650	1015	1500	760	52	M20 × 42
	4、6	610	120	560	254	95	170	25	86	355	28	730	720	650	1015	1530	760	52	M24 × 47
TYJX-355L	2	610	120	630	254	75	140	20	67.5	355	28	730	720	650	1015	1500	760	52	M20 × 42
	4、6	610	120	630	254	95	170	25	86	355	28	730	720	650	1015	1530	760	52	M20 × 47

Notes:1)DH dimension is only required for exported motor .For domestic customers ,it should be prepared according to the order requirement.

2)Tolerance for D dimension :j6 for accor φ 19-28;K6for φ 38-48;m6 for φ 55-80;m6 for φ 95.

IM B35 H80-355

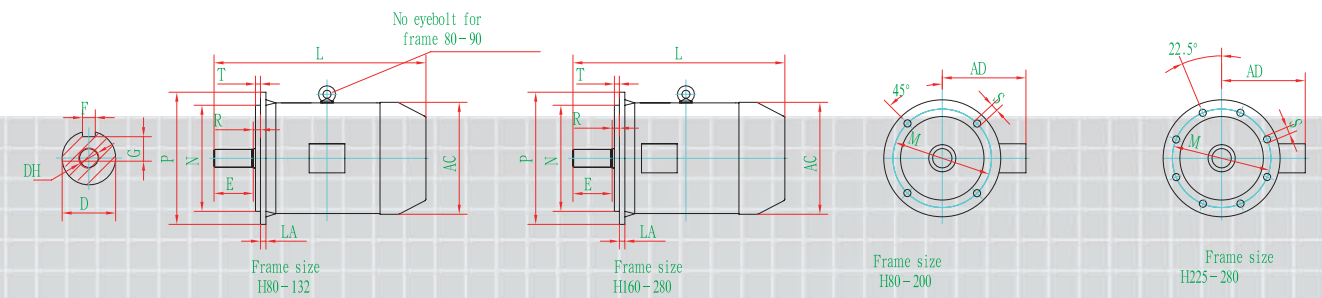


Type	Flange NO	Poles	Dimensions in mm																						
			A	AA	B	C	D*	E	F	G	H	K	AB	AC	BB	HA	LD	Flange holes	M	N*	P	R*	S	T	(DH)*
TYJX-80	FF165	2、4、6	125	34	100	50	19	40	6	15.5	80	10	165	167	142	10	74	4	165	130	200	0	12	3.5	M6 × 16
TYJX-90S	FF165	2、4、6	140	36	100	56	24	50	8	20	90	10	180	190	180	12	76	4	165	130	200	0	12	3.5	M8 × 19
TYJX-90L	FF165	2、4、6	140	36	125	56	24	50	8	20	90	10	180	190	220	12	76	4	165	130	200	0	12	3.5	M8 × 19
TYJX-100L	FF215	2、4、6	160	40	140	63	28	60	8	24	100	12	205	215	233	14	83	4	215	180	250	0	14.5	4	M10 × 22
TYJX-112M	FF215	2、4、6	190	45	140	70	28	60	8	24	112	12	230	240	248	15	87	4	215	180	250	0	14.5	4	M10 × 22
TYJX-132S	FF265	2、4、6	216	55	140	89	38	80	10	33	132	12	270	275	230	18	102	4	265	230	300	0	14.5	4	M12 × 28
TYJX-132M	FF265	2、4、6	216	55	178	89	38	80	10	33	132	12	270	275	230	18	102	4	265	230	300	0	14.5	4	M12 × 28
TYJX-160M	FF300	2	254	65	210	108	42	110	12	37	160	14.5	320	320	304	20	149	4	300	250	350	0	18.5	5	M16 × 36
	FF300	4、6	254	65	210	108	42	110	12	37	160	14.5	320	320	304	20	149	4	300	250	350	0	18.5	5	M16 × 36
TYJX-160L	FF300	2	254	65	254	108	42	110	12	37	160	14.5	320	320	304	20	149	4	300	250	350	0	18.5	5	M16 × 36
	FF300	4、6	254	65	254	108	42	110	12	37	160	14.5	320	320	304	20	149	4	300	250	350	0	18.5	5	M16 × 36
TYJX-180M	FF300	2	279	70	241	121	48	110	14	42.5	180	14.5	355	380	355	22	161	4	300	250	350	0	18.5	5	M16 × 36
	FF300	4、6	279	70	241	121	48	110	14	42.5	180	14.5	355	380	355	22	161	4	300	250	350	0	18.5	5	M16 × 36
TYJX-180L	FF300	2、4、6	279	70	279	121	48	110	14	42.5	180	14.5	355	380	355	22	161	4	300	250	350	0	18.5	5	M16 × 36
TYJX-200L	FF350	2	318	70	305	133	55	110	16	49	200	18.5	395	410	375	25	186	4	350	300	400	0	18.5	5	M20 × 42
	FF350	4、6	318	70	305	133	55	110	16	49	200	18.5	395	410	375	25	186	4	350	300	400	0	18.5	5	M20 × 42

Type	Flange NO	Poles	Dimensions in mm																						
			A	AA	B	C	D*	E	F	G	H	K	AB	AC	BB	HA	LD	Flange holes	M	N*	P	R*	S	T	(DH)*
TYJX-225S	FF400	2, 4, 6	356	75	286	149	60	140	18	53	225	18.5	435	470	370	28	189	8	400	350	450	0	18.5	5	M20 × 42
TYJX-225M	FF400	2	356	75	311	149	55	110	16	49	225	18.5	435	470	395	28	189	8	400	350	450	0	18.5	5	M20 × 42
	FF400	4, 6	356	75	311	149	60	140	18	53	225	18.5	435	470	395	28	189	8	400	350	450	0	18.5	5	M20 × 42
TYJX-250M	FF500	2	406	80	349	168	60	140	18	53	250	24	490	490	445	30	207	8	500	450	550	0	18.5	5	M20 × 42
	FF500	4, 6	406	80	349	168	65	140	18	58	250	24	490	490	445	30	207	8	500	450	550	0	18.5	5	M20 × 42
TYJX-280S	FF500	2	457	85	368	190	65	140	18	58	280	24	550	580	490	35	215	8	500	450	550	0	18.5	5	M20 × 42
	FF500	4, 6	457	85	368	190	75	140	20	67.5	280	24	550	580	490	35	215	8	500	450	550	0	18.5	5	M20 × 42
TYJX-280M	FF500	2	457	85	419	190	65	140	18	58	280	24	550	580	540	35	215	8	500	450	550	0	18.5	5	M20 × 42
	FF500	4, 6	457	85	419	190	75	140	20	67.5	280	24	550	580	540	35	215	8	500	450	550	0	18.5	5	M20 × 42
TYJX-315S	FF600	2	508	120	406	216	65	140	18	58	315	28	630	645	570	45	257	8	600	550	660	0	24	6	M20 × 42
	FF600	4, 6	508	120	406	216	80	170	22	71	315	28	630	645	570	45	257	8	600	550	660	0	24	6	M20 × 42
TYJX-315M	FF600	2	508	120	457	216	65	140	18	58	315	28	630	645	680	45	257	8	600	550	660	0	24	6	M20 × 42
	FF600	4, 6	508	120	457	216	80	170	22	71	315	28	630	645	680	45	257	8	600	550	660	0	24	6	M20 × 42
TYJX-315L	FF600	2	508	120	508	216	65	140	18	58	315	28	630	645	680	45	257	8	600	550	660	0	24	6	M20 × 42
	FF600	4, 6	508	120	508	216	80	170	22	71	315	28	630	645	680	45	257	8	600	550	660	0	24	6	M20 × 42
TYJX-355M	FF740	2	610	120	560	254	75	140	20	67.5	355	28	730	720	760	52	284	8	680	680	800	0	24	6	M20 × 42
	FF740	4, 6	610	120	560	254	95	170	25	86	355	28	730	720	760	52	284	8	680	680	800	0	24	6	M24 × 47
TYJX-355L	FF740	2	610	120	630	254	75	140	20	67.5	355	28	730	720	760	52	284	8	680	680	800	0	24	6	M20 × 42
	FF740	4, 6	610	120	630	254	95	170	25	86	355	28	730	720	760	52	284	8	680	680	800	0	24	6	M20 × 47

Notes: 1) DH dimension is only required for exported motor. For domestic customers, it should be prepared according to the order requirement.
 2) Tolerance for D dimension: j6 for accor φ19-28; K6 for φ38-48; m6 for φ55-80; m6 for φ95. Tolerance for N dimension is j6.

IMB5 H80-280

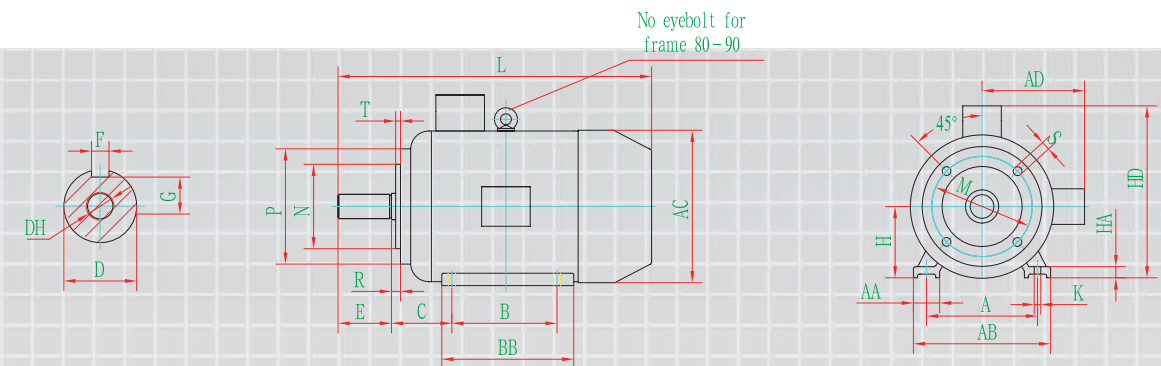


Type	Flange NO	Poles	Dimensions in mm															
			D*	E	F	G	M	N*	P	S	T	Flange holes	AC	L	LA	(DH)*	R	
TYJX-80	FF165	2, 4, 6	19	40	6	15.5	165	130	200	12	3.5	4	167	305	12	M6 × 16	0	
TYJX-90S	FF165	2, 4, 6	24	50	8	20	165	130	200	12	3.5	4	190	360	12	M8 × 19	0	
TYJX-90L	FF165	2, 4, 6	24	50	8	20	165	130	200	12	3.5	4	190	390	12	M8 × 19	0	
TYJX-100L	FF215	2, 4, 6	28	60	8	24	215	180	250	14.5	4	4	215	435	13	M10 × 22	0	
TYJX-112M	FF215	2, 4, 6	28	60	8	24	215	180	250	14.5	4	4	240	470	14	M10 × 22	0	
TYJX-132S	FF265	2, 4, 6	38	80	10	33	265	230	300	14.5	4	4	275	510	14	M12 × 28	0	
TYJX-132M	FF265	2, 4, 6	38	80	10	33	265	230	300	14.5	4	4	275	560	14	M12 × 28	0	
TYJX-160M	FF300	2, 4, 6	42	110	12	37	300	250	350	18.5	5	4	320	675	15	M16 × 36	0	
TYJX-160L	FF300	2, 4, 6	42	110	12	37	300	250	350	18.5	5	4	320	705	15	M16 × 36	0	
TYJX-180M	FF300	2, 4, 6	48	110	14	42.5	300	250	350	18.5	5	4	380	770	15	M16 × 36	0	

Type	Flange NO	Poles	Dimensions in mm														
			D*	E	F	G	M	N*	P	S	T	Flange holes	AC	L	LA	(DH)*	R
TYJX-180L	FF300	2、4、6	48	110	14	42.5	300	250	350	18.5	5	4	380	800	15	M16 × 36	0
TYJX-200L	FF350	2、4、6	55	110	16	49	350	300	400	18.5	5	4	410	790	17	M20 × 42	0
TYJX-225S	FF400	4、6	60	140	18	53	400	350	450	18.5	5	8	470	830	20	M20 × 42	0
TYJX-225M	FF400	2	55	110	16	49	400	350	450	18.5	5	8	470	830	20	M20 × 42	0
	FF400	4、6	60	140	18	53	400	350	450	18.5	5	8	470	860	20	M20 × 42	0
TYJX-250M	FF500	2	60	140	18	53	500	450	550	18.5	5	8	490	990	22	M20 × 42	0
	FF500	4、6	65	140	18	58	500	450	550	18.5	5	8	490	990	22	M20 × 42	0
TYJX-280S	FF500	2	65	140	18	58	500	450	550	18.5	5	8	580	1035	22	M20 × 42	0
	FF500	4、6	75	140	20	67.5	500	450	550	18.5	5	8	580	1035	22	M20 × 42	0
TYJX-280M	FF500	2	65	140	18	58	500	450	550	18.5	5	8	580	1085	22	M20 × 42	0
	FF500	4、6	75	140	20	67.5	500	450	550	18.5	5	8	580	1085	22	M20 × 42	0

Notes:1)DH dimension is only required for exported motor .For domestic customers ,it should be prepared according to the order requirement.
2)Tolerance for D dimension :j6 for accor φ 19-28; K6for φ 38-48;m6 for φ 55-80;m6 for φ 95.Tolerance for N dimension is j6.

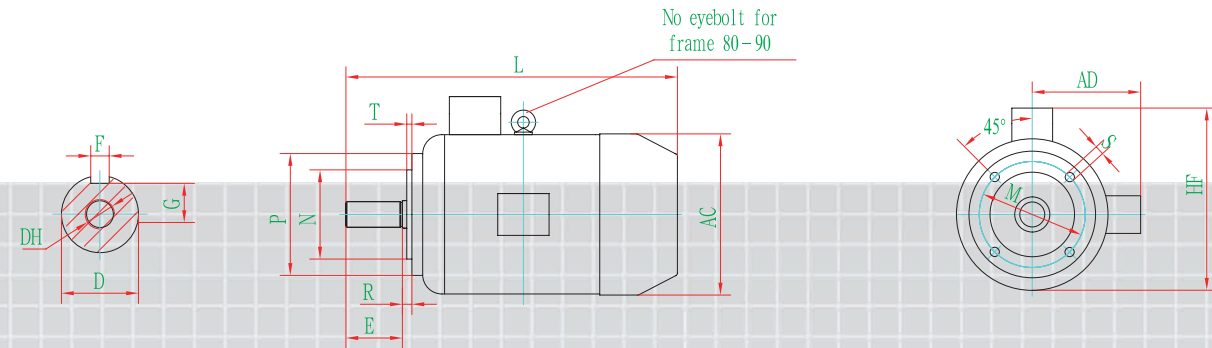
IM B34 H80-112



Prame Size	Poles	Mounting dimensions																Flange holes	Overall dimensions				
		A	B	C	D*	E	F	G	H	K	M	N	P	R	S	T	AB		AC	AD	HD	L	(DH)*
TYJX-80	2、4、6	125	100	50	19	40	6	15.5	80	10	100	80	120	0	M6	3.0	4	165	167	145	220	305	M6 × 16
TYJX-90S	2、4、6	140	100	56	24	50	8	20	90	10	115	95	140	0	M8	3.0	4	180	190	170	250	360	M8 × 19
TYJX-90L	2、4、6	140	125	56	24	50	8	20	90	10	115	95	140	0	M8	3.0	4	180	190	170	250	390	M8 × 19
TYJX-100L	2、4、6	160	140	63	28	60	8	24	100	12	130	110	160	0	M8	3.5	4	205	215	180	270	435	M10 × 22
TYJX-112M	2、4、6	190	140	70	28	60	8	24	112	12	130	110	160	0	M8	3.5	4	230	240	200	310	470	M10 × 22

Note: Tolerance for dimension is j6

IM B14 H80-112

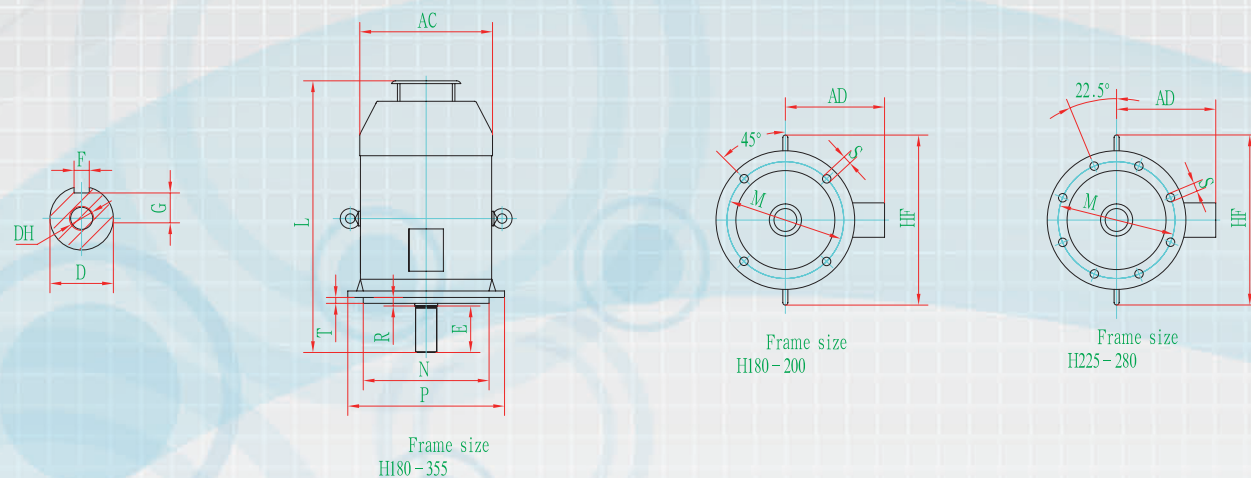


No eyebolt for frame 80-90

Frame Size	Poles	Mounting dimensions									Flange holes	Overall dimensions				
		D*	E	G	P	M	N	R	S	T		AD	AC	HF	L	(DH)*
TYJX-80	2, 4, 6	19	40	15.5	120	100	80	0	M6	3.0	4	145	167	230	305	M6 × 16
TYJX-90S	2, 4, 6	24	50	20	140	115	95	0	M8	3.0	4	170	190	245	360	M8 × 19
TYJX-90L	2, 4, 6	24	50	20	140	115	95	0	M8	3.0	4	170	190	245	390	M8 × 19
TYJX-100L	2, 4, 6	28	60	24	160	130	110	0	M8	3.5	4	180	215	285	435	M10 × 22
TYJX-112M	2, 4, 6	28	60	24	160	130	110	0	M8	3.5	4	200	240	320	470	M10 × 22

Note: Tolerance for dimension is j6

IMV1 H180-355



Frame size H180-200

Frame size H225-280

Frame size H180-355

Type	Poles	Mounting dimension										Flange holes	Overall dimensions				
		D*	E	F	G	M	N	P	R	S	T		AC	AD	HF	L	(DH)*
TYJX-180M	2, 4, 6	48	110	14	42.5	300	250	350	0	18.5	5	4	380	285	500	830	M16 × 36
TYJX-180L	2, 4, 6	48	110	14	42.5	300	250	350	0	18.5	5	4	380	285	500	860	M16 × 36
TYJX-200L	4, 6	55	110	16	49.0	350	300	400	0	18.5	5	4	410	320	540	865	M20 × 42
TYJX-225S	4, 6	60	140	18	53.0	400	350	450	0	18.5	5	8	470	350	605	925	M20 × 42
TYJX-225M	2	55	140	16	49.0	400	350	450	0	18.5	5	8	470	350	605	925	M20 × 42
	4, 6	60		18	53.0			450								955	M6 × 17
TYJX-250M	2	60	140	18	53.0	500	450	550	0	18.5	5	8	490	390	630	1095	M20 × 42
	4, 6	65		18	58.0			550								M6 × 18	
TYJX-280S	2	65	140	18	58.0	500	450	550	0	18.5	5	8	580	435	700	1170	M20 × 42
	4, 6	75		20	67.5			550								M6 × 18	
TYJX-280M	2	65	140	18	58.0	500	450	550	0	18.5	5	8	580	435	700	1220	M20 × 42
	4, 6	75		20	67.5			550								M6 × 19	
TYJX-315S	2	65	140	18	58.0	600	550	660	0	24	6	8	645	535	858	1310	M20 × 42
	4, 6	80		22	71.0			660								1340	M6 × 19
TYJX-315M	2	65	140	18	58.0	600	550	660	0	24	6	8	645	535	858	1425	M20 × 42
	4, 6	80		22	71.0			660								1450	M6 × 20
TYJX-315L	2	65	140	18	58.0	600	550	660	0	24	6	8	645	535	858	1425	M20 × 42
	4, 6	80		22	71.0			660								1450	M6 × 20
TYJX-355M	2	75	140	20	67.5	740	680	800	0	24	6	8	720	650	1010	1640	M20 × 42
	4, 6	95		25	86.0			800								1670	M24 × 47
TYJX-355L	2	75	140	20	67.5	740	680	800	0	24	6	8	720	650	1010	1640	M20 × 42
	4, 6	95		25	86.0			800								1670	M24 × 47

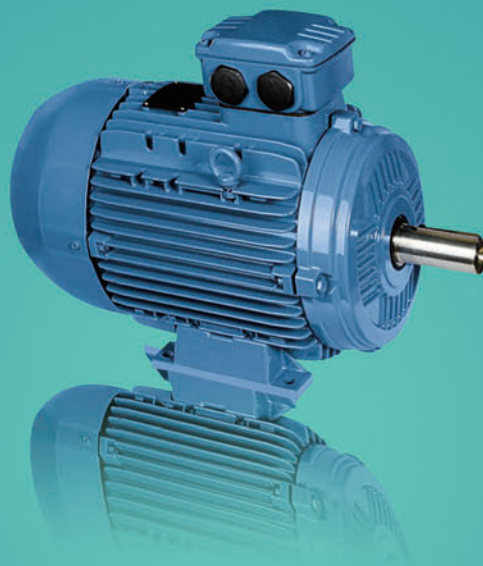
Notes: 1) DH dimension is only required for exported motor. For domestic customers, it should be prepared according to the order requirement.

2) Tolerance for D dimension: j6 for accor φ 19-28; K6 for φ 38-48; m6 for φ 55-80; m6 for φ 95.

ORDER INSTRUCTIONS

The technical data given in this catalogue is for reference only and subject to alterations. Before ordering, please contact us.

The following specifications are provided for the order: motor type, output, synchronous speed, voltage, frequency and mountings etc.



O.M.E. SRL

Via N. Tartaglia 6B 25064 Gussago (BS) Italy

Phone. +39 (0) 30-3737072 030-317063 Fax +39 (0) 30-2411395

info@omesrl.eu www.omesrl.eu