



innovative
enclosure solutions
for industrial & electronic
applications

GENERAL CATALOGUE

Release 20

GENERAL INDEX

WE ARE ETA
PRODUCTS

TECHNICAL SECTION
INDEX

CABINETS

SUITE CABINETS E NUX

MONOBLOC CABINETS E MOX

COMPACT SOLUTIONS E COMP

MODULAR SOLUTIONS E NUX

PC CABINETS E NUX

RACK 19" AND NETWORKING SOLUTIONS E NUX

BOXES

WALL-MOUNTING AND TERMINAL BOXES

CONTROL DESKS

CABINET, MONOBLOC AND MODULAR CONTROL DESKS

EXTREME CONDITIONS

STAINLESS STEEL SOLUTIONS

OUTDOOR SOLUTIONS E VIS

EMC SOLUTIONS

CABLE TRAY SYSTEM E RIVI

A COMPLETE SYSTEM

SUSPENSION ARM SYSTEM

THERMAL MANAGEMENT ETHERMO

A FAMILY BUSINESS, NOW IN ITS THIRD GENERATION

More than 50 years ago, Antonio Turati introduced his sons to this job by teaching not only the know-how, but above-all the basic matrix methods of analysis, the values and ethics that were the roots of the company.

When, in 1978, his sons founded E.T.A. S.P.A., they thought to dedicate a tribute to their father, thus calling the company "Eredi (Heirs) Turati Antonio". So, Antonio was the first generation; then there was the second generation, the one of his founders, the three brothers who are the soul of the company... And now a valid representation of the third generation is already working in the company.

Since 1978, ETA is at your side to offer something more: reliability, dedication, certainty that - in the short and long term period - you can count on a company ready to listen, a team of people that are committed to their job with expertise and passion. Together with you.

Our identity is made up of values and history in evolution, synergy between solid foundation and growth potential, synchrony between experience and innovation; a path that consists of skills, people who have lived a story, that are trusted by customers and business partners and that want to be "ETA".

ETA - a reliable partner at your side.





Headquarters and production unit in Canzo (CO) Italy, focused on the first steps of the manufacturing cycle.



The Turati Family that is leading the company.
From left side: Cesare, Luigia, Aldo, Antonio, Veronica, Samanta.

THE VALUES OF A COHESIVE GROUP

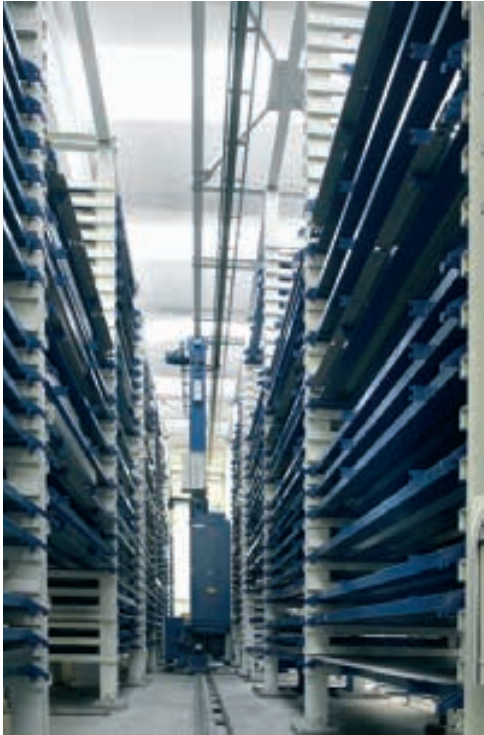
Because we believe in what we create together every day

Founded in 1978, in Italy, with over 35 years of experience in steel, stainless steel and extruded aluminium production, ETA represents a safe and recognized benchmark for the global enclosures market as a manufacturer of high quality innovative solutions for the industrial automation and power distribution in LV.

The group presents itself with an HQ, two production sites (one situated in Canzo, Italy, for the early stages of production and a second one in Albavilla, Italy, for the final stages), a logistics centre in Italy, a production site in Romania, two commercial subsidiaries Overseas (England and France), a branch office in Saint Petersburg (Russia) and one in Cyprus (for the Middle East market) and an extensive sales network throughout Italy and around the world in more than 40 countries.



Production unit and logistic centre in Albavilla (CO) Italy.



QUALITY, SUSTAINABLE INNOVATION AND FLEXIBILITY

ETA is an established company that strongly believes in evolution, whose objective is to design and produce high quality enclosure solutions, combining innovation with the experience gained over 35 years of activity.

innovation

Value of important choices: advanced technology, long-term vision, intuitions, investments and new projects.



sustainability

We act in a perspective of economic, social and environmental sustainability, according to long-medium term logics.



flexibility

Flexibility of thought in responding to the needs of a changing market and product flexibility in the customization of standard solutions.



Reliable and competent people you can rely on, constantly monitored business processes, certified products developed through careful design and implementation.

quality

YOUR SPECIAL SOLUTION WILL BE OUR STANDARD

When the standard range of enclosures doesn't meet with your application, ETA will work with you in developing a product that best suits your requirements. As your needs change, so do our capabilities: advanced machinery technology for holes and cut-outs, automatic paint systems for alternative RAL colours and finishes, skilled staff to support you in choosing the solution complying with your needs.

This to reach best results and to offer the highest levels of flexibility, efficiency and technical quality.

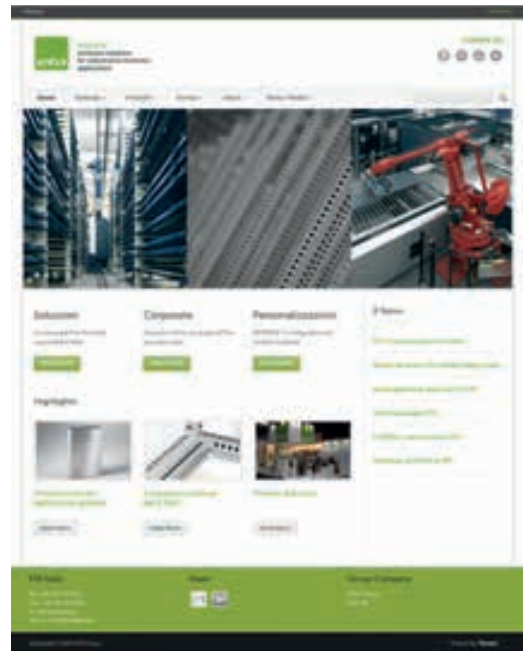
Did you find the appropriate solution in the ETA catalogue?	STANDARD	Thanks to our wide stock availability, simply select the accessories to complete your configuration.
<p>The standard product needs some machining to be in line with your final application?</p> <p>Small batches of customised products with punching and/or special painting... now you can!</p>	MODIFIED STANDARD	<p>WE CAN OFFER:</p> <ul style="list-style-type: none"> • Special sizes • Special finishes (RAL colours, special cycles, double colour, double layer) • Holes • Additional studs • Assembly of accessories. <p>With the online configurator AETAS3D.</p>
Do you have an idea? A project?	SPECIAL	Our technical department is available to design together the product that better meets your needs.



A CUSTOMER-ORIENTED COMPANY BESIDE YOU

WWW.ETA.IT

Our new website: a clean layout for a unified corporate site for HQ and Subsidiaries, designed to be easily accessible from any device (smartphone, tablet, PC) and easy to navigate. User-friendly interface, up to date contents and global communication more and more updated through the interaction with social media. Beside you wherever you are.



An online configurator designed to optimize the delivery of our standard-modified products: in a few simple steps, you can choose the product, customize it with special holes and painting, download drawings and send the production order. Everything online, without any further steps and in a few minutes!

Thanks to the advanced laser technology of the latest machinery recently installed in ETA and thanks to the use of AETAS3D, your special solution will become our standard.

FROM IDEA TO PRODUCT SOLUTIONS

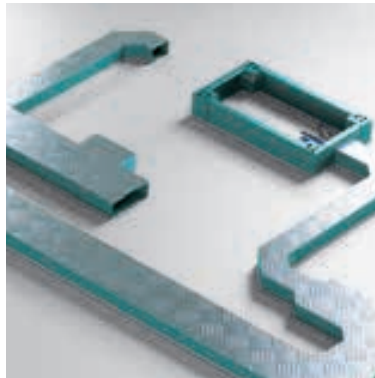
Intuition, inspiration and passion: these are the values that guide us when we create a new product. To ensure the ultimate in design and quality, with Italian vision.

Our selection of standard product range from modular cabinets for the automation market to suite and monobloc cabinets, from solutions for LV distribution to PC cabinets or rack 19" solutions for telecom/networking. In addition to the ranges of cabinets we provide boxes for automation, terminal boxes and control desks. To complete the enclosure package, there are Walk-On cable conduit systems and a Suspension system for command interfaces. Also available are stainless steel solutions for potentially explosive atmospheres, EMC solutions, or enclosures for outdoor applications.

Thanks to the partnership with leading companies in their field, we provide air conditioning Solutions for control panels and Busbar systems, to offer a true one-stop-shop approach for all your enclosure and complimentary accessory requirements.

customisation

innovation



design



FROM PRODUCT CONCEPT TO PACKAGING
When protection is a must...

New packaging was introduced with the new range of suite cabinets E NUX, monobloc cabinets E MOX, compact solutions E COMP and stainless steel boxes E COR.

Designed for maximum performance in terms of protection and differentiation.



sustainability

Possibility of reuse from the distributor to the end user.

functionality

Greater protection and shock resistance.



design

Image and differentiation from the competitors. Stand out from the competition approach.

In line with the corporate philosophy of sustainability we chose to collaborate with local consortium COMIECO (Region Lombardia) who devote particular attention to reducing the environmental impact, recycling and recover the packaging of cellulose origin.



comieco
Consorzio Nazionale Recupero e Riciclo degli Imballaggi a base Cellulosica *

* COMIECO National Consortium for recovery and recycling of cellulose-based packaging

research
 design
 sustainability
 functionality
 flexibility
 strength

enux

The new shell for automation



New product concept, sturdy construction and accurate design for the new E.T.A. Suite Cabinet System for industrial automation and LV energy distribution: a complete system with a totally new structure and a variety of high-quality solutions delivered according to your requirements thanks to a wide range of accessories and customization capabilities.



www.eta.it

INNOVATION THROUGH COMMUNICATION...

In line with the company's philosophy of innovation, flexibility and sustainability in the long term view, in recent years it has been implemented a real change of vision in the way of communicating:

- **Logo** - Launched in 2011, it is a symbol of the company philosophy and it is characterized by a mix of tradition - the green colour - and innovation - a dynamic lettering in order to underline our dynamism and a three-dimensional view to emphasize the concept of new horizons.
- **Product Names** - The "E" of ETA to feature all the product solutions and the Latin language to both emphasize our origins and communicate the product plus.
- **ADV** - Each product has a different layout, but consistent with each other, in order to draw the attention and to pass the technical content more effectively.
- **General catalogue** - From now on, the ETA catalogue will be identified with "release" and a number, thus mixing both the technological and historical elements. This will make the consultation easier and will provide continuity to the documentation, thus respecting our philosophy of sustainability.

We're still us, just more "smart"!

E.T.A. nuovo standard per l'Europa. World Market. (www.eta.it) © E.T.A. April 2012



innovative
 enclosure solutions
 for industrial & electronic
 applications



aetas3D

The new ETA software for the customisation of enclosures.

When the custom-made evolves into 3 dimensions.

fast easy effective

Via Monte
 Burzagliani, 6
 I-22035 Canzo,
 Como (Italy)
 T. +39 031 672611
 F. +39 031 670525
 info@eta.it
 www.eta.it

**E.T.A. ENCLOSURES
 (UK) LIMITED**
 Unit 2, Ighite,
 Magna Way
 Rotherham,
 South Yorkshire,
 S60 1FD
 T. +44 (0)1709 386630
 F. +44 (0)1709 385214
 info@eta-enclosures.co.uk
 www.eta-enclosures.co.uk

SASU E.T.A. France
 Route du Pré aux Roches
 70800 St Germer de Passy
 T. +33 (0) 3 564 14 70
 F. +33 (0) 3 564 22 75
 eta-france@wanadoo.fr
 www.eta.it

ETA Enclosures (UK) Limited, 125233 Cannon, Camley Way, South Yorkshire, S64 1TD

eta

innovative enclosure solutions for industrial & electronic applications

e comp
ETA quality, sturdy

ETA S.P.A.
Via Montebello, 6
I-22035 Canzo,
Como (Italy)
t +39 031 673611
f +39 031 673625
info@eta.it
www.eta.it

ETA ENCLOSURES (UK) LIMITED
Unit 2, Ippinc, Magna Way, Rothburton, South Yorkshire, S64 1TD
t +44 01709 386630
f +44 01709 386624
info@eta-enclosures.co.uk
www.eta-enclosures.co.uk

SASU E.T.A. France
Rue du Pré aux Boeufs
75006 St Etienne du Rouvray
t +33 02 35444133
f +33 02 35442275
eta.france@wanadoo.fr
www.eta.it

ETA Enclosures (UK) Limited, 125233 Cannon, Camley Way, South Yorkshire, S64 1TD

e cor
STAINLESS STEEL

To simply protect
New range of stainless steel boxes

eta

innovative enclosure solutions for industrial & electronic applications

ETA S.P.A.
Via Montebello, 6
I-22035 Canzo,
Como (Italy)
t +39 031 673611
f +39 031 673625
info@eta.it
www.eta.it

ETA ENCLOSURES (UK) LIMITED
Unit 2, Ippinc, Magna Way, Rothburton, South Yorkshire, S64 1TD
t +44 01709 386630
f +44 01709 386624
info@eta-enclosures.co.uk
www.eta-enclosures.co.uk

SASU E.T.A. France
Rue du Pré aux Boeufs
75006 St Etienne du Rouvray
t +33 02 35444133
f +33 02 35442275
eta.france@wanadoo.fr
www.eta.it

ETA Enclosures (UK) Limited, 125233 Cannon, Camley Way, South Yorkshire, S64 1TD

e mox
ETA quality, promptly

eta

innovative enclosure solutions for industrial & electronic applications

ETA S.P.A.
Via Montebello, 6
I-22035 Canzo,
Como (Italy)
t +39 031 673611
f +39 031 673625
info@eta.it
www.eta.it

ETA ENCLOSURES (UK) LIMITED
Unit 2, Ippinc, Magna Way, Rothburton, South Yorkshire, S64 1TD
t +44 01709 386630
f +44 01709 386624
info@eta-enclosures.co.uk
www.eta-enclosures.co.uk

SASU E.T.A. France
Rue du Pré aux Boeufs
75006 St Etienne du Rouvray
t +33 02 35444133
f +33 02 35442275
eta.france@wanadoo.fr
www.eta.it

ETA Enclosures (UK) Limited, 125233 Cannon, Camley Way, South Yorkshire, S64 1TD

e vis
ETA quality, for outdoor applications

eta

innovative enclosure solutions for industrial & electronic applications

www.eta.it

CABINETS

[SUITE CABINETS E NUX](#)

[MONOBLOC CABINETS E MOX](#)

[COMPACT SOLUTIONS E COMP](#)

[MODULAR SOLUTIONS E NUX](#)

[PC CABINETS E NUX](#)

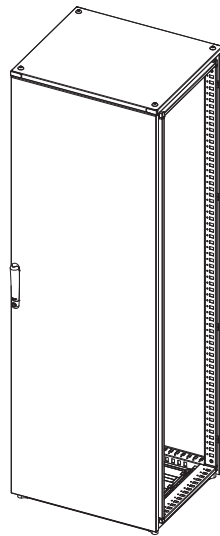
[RACK 19" AND NETWORKING SOLUTIONS E NUX](#)

Nothing is more critical than your components. At E.T.A. we are constantly aware of that. That's why everything about the new E NUX modular cabinet system is designed with these ideas in mind.

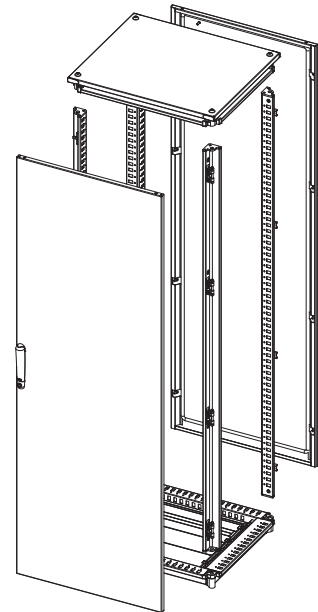
E NUX is produced as a real complete "system" of cabinets for different applications: based on the same E NUX structure (bottom + top + uprights), thanks to a wide range of standard accessories we offer specific versions, fittings and solutions for each need.

SUPPLY

Assembled cabinet



Flat-pack cabinet



VERSIONS

e nux

e nux simplex

SOLUTIONS



Blank door



Plexi door



Back/Front door



Double door

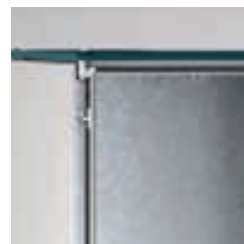
MATERIALS



Sheet steel



Stainless steel sheet



EMC

APPLICATIONS
BASED ON E NUX



Automation



Modular / LV Energy



PC



Control desks



Rack 19"



Networking



Pantone 2717U version

AETAS3D



New on-line configurator
for the easy, fast & effective
customisation of E NUX
and ST boxes



CUSTOMISATION



Special painting
and finishes



Simple and threaded holes
Wide range of services for
complete customization



THE SHELL FOR AUTOMATION

Preserving environmental resources and increasing their value over time; investing in new manufacturing processes with a long-term vision; offering technologically advanced & high-quality enclosure solutions: this is the company philosophy, which is well represented by E NUX, the new modular cabinet system offered by E.T.A.

Innovation is deployed at multiple levels for E NUX: research for environmental protection and efficiency, investments in new high-tech machinery and energy-saving machining processes, new constructive concepts and selection of last-generation high-strength low-alloy steel with high-performance mechanical properties. E NUX cabinet system is a perfect match of made-in-Italy design and Cutting-edge technology and quality features, studied to enhance functionality, protection and versatility of your enclosure solutions.

BENEFITS

New constructive concepts	Sustainability
New high-strength low-alloy steel	Research and technology
Variety of solutions, configurations and dimensions	Flexibility
Rigid frame profile and sturdy structure	Strength
Innovative latch system	Functionality
Modern clean appearance and high aesthetics	Design
Perfect adherence to industry standards	Safety & reliability



e NUX

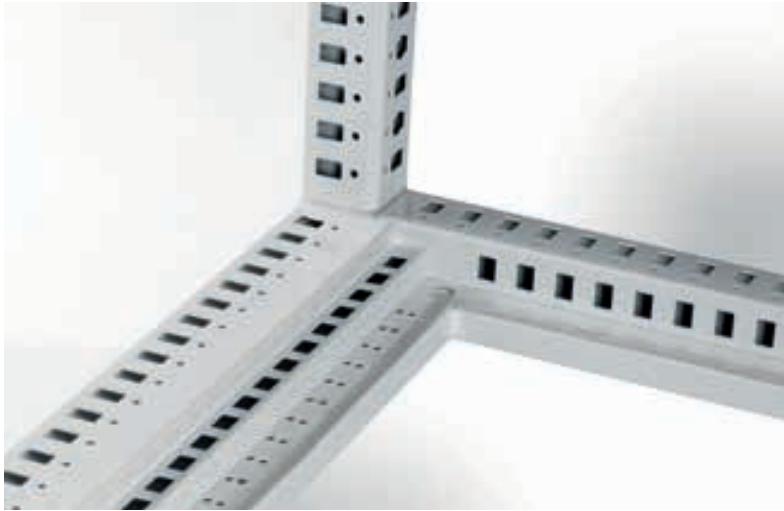
SUITE CABINET

FEATURES

- 1 Removable roof to simplify cable management.
- 2 Simple structure assembled with 8 screws only, thanks to the exclusive orthogonal joint manufactured from special steel.
- 3 Sturdy structural uprights manufactured from high-strength low-alloy steel with fiber laser welded closed symmetric profile.
- 4 Besides the E NUX version, a second configuration with simplified door and plate (E NUX simplex) is available for simpler applications.
- 5 New colour for top, plinth and handle (RAL 5020).
- 6 New colour (Pantone 2717U) for top, plinth and handle available as an option.
- 7 Locking system with a unique lever mechanism, unique design and:
 - 3-point locking for H=1400 and 1600
 - 4-point locking for H=1800 and 2000
 - 5-point locking for H=2200
 with possibility to mount different inserts and convenient lock release system of the slave door of the double door cabinet.

- 8 Reversible door with strengthening frame.
 - 9 Sturdy panels for high structural stiffness.
 - 10 Modular cable entry bottom with adjustable base plates and seal, consisting of one fiber laser-MIG hybrid welded piece with box-type construction manufactured from high-strength low-alloy steel.
 - 11 Front-inserted mounting plate, which can be recessed flush with the uprights thanks to the effective sliding guides system integrated in the bottom.
 - 12 Easy-to-assemble modular plinth EUZE
 - Possibility to adopt a fully modular Walk-On cable conduit.
 - Wide range of complementary accessories.
 - Wide range of sizes and unified structure for the configuration of automation cabinets, modular solutions, PC enclosures, control desks, 19" rack solutions, and telecom/networking cabinets.
- Protection rating: IP55 - Nema 12 - IK10.

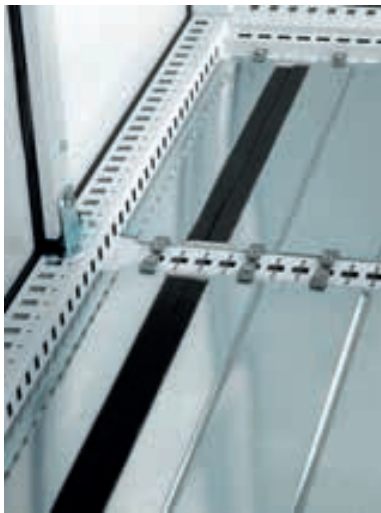




**E NUX: SUSTAINABLE,
STRONG AND PERFORMING CABINET**

STRENGTH

Improved mechanical features and higher pulling, twisting, bending resistance thanks to fiber laser welded box-type uprights manufactured from high-strength low-alloy sheet steel and one-piece cable entry bottom, with box-type structure of press-bent fiber laser-MIG hybrid welded profiles of high-strength low-alloy sheet steel. Double cable entry with central partition crosspiece integrated in the bottom for increased sturdiness.



SAFETY

Modular cable entry bottom featuring adjustable base plates with metal fixing elements to guarantee automatic grounding: included in the standard supply, adhesive seal for an optimal cable routing to preserve the IP protection degree.



STURDINESS

The unique and innovative bending concept of back and side panels with rounded folding, ensures undisputed structural stiffness combined with the benefit of smoother handling and high aesthetics.

DESIGN

The E NUX cabinet is characterized by a unique feature: the selected finishing and the new colour impact represent the company's "sustainable" philosophy, while the innovative handle with a unique ergonomic design and soft shapes inspired to the drops of water combines functionality and harmony.

Concept of the handle: de Poorter design.

Handle selected for ADI Design Index 2013.



TECHNOLOGY

Lever-operated opening system with compact internal footprint, easy door release system for the slave door of the double door cabinet: with this opening concept, the operator no longer needs to put a hand into the cabinet and can use the same key as for the master door.



FLEXIBILITY

Over 90 standard dimensions, multiple configurations in mounted or flat-pack versions, selection between two different versions, full range of complementary accessories for multiple configurations. E NUX stands out for its wide range of solutions and multiple customization options.



ASSEMBLED CABINET

Suite

IMAGES ARE ONLY INTENDED TO ILLUSTRATE THE PRODUCT	E NUX			E NUX SIMPLEX	
	CABINET WITH FRONT BLANK DOOR + REAR PANEL (1)	CABINET WITH FRONT PLEXI DOOR + REAR PANEL (2)	CABINET WITH FRONT BLANK DOOR + REAR BLANK DOOR (3)	CABINET WITH FRONT BLANK DOOR + REAR PANEL (1)	CABINET WITH FRONT BLANK DOOR + REAR BLANK DOOR (3)
DIMENSIONS W x H x D					
400 x 1600 x 400	ENUX041604PR		ENUX041604DP		
400 x 1600 x 500	ENUX041605PR		ENUX041605DP		
400 x 1600 x 600	ENUX041606PR		ENUX041606DP		
400 x 1800 x 400	ENUX041804PR		ENUX041804DP		
400 x 1800 x 500	ENUX041805PR		ENUX041805DP		
400 x 1800 x 600	ENUX041806PR		ENUX041806DP		
400 x 1800 x 800	ENUX041808PR		ENUX041808DP		
400 x 2000 x 400	ENUX042004PR		ENUX042004DP		
400 x 2000 x 500	ENUX042005PR		ENUX042005DP		
400 x 2000 x 600	ENUX042006PR		ENUX042006DP		
400 x 2000 x 800	ENUX042008PR		ENUX042008DP		
400 x 2200 x 500	ENUX042205PR		ENUX042205DP		
400 x 2200 x 600	ENUX042206PR		ENUX042206DP		
400 x 2200 x 800	ENUX042208PR		ENUX041604DP		
600 x 1400 x 400	ENUX061404PR	ENUX061404PV	ENUX061404DP		
600 x 1400 x 500	ENUX061405PR	ENUX061405PV	ENUX061405DP		
600 x 1600 x 400	ENUX061604PR	ENUX061604PV	ENUX061604DP		
600 x 1600 x 500	ENUX061605PR	ENUX061605PV	ENUX061605DP		
600 x 1600 x 600	ENUX061606PR	ENUX061606PV	ENUX061606DP		
600 x 1800 x 400	ENUX061804PR	ENUX061804PV	ENUX061804DP	ENUX061804PRL	ENUX061804DPL
600 x 1800 x 500	ENUX061805PR	ENUX061805PV	ENUX061805DP	ENUX061805PRL	ENUX061805DPL
600 x 1800 x 600	ENUX061806PR	ENUX061806PV	ENUX061806DP	ENUX061806PRL	ENUX061806DPL
600 x 1800 x 800	ENUX061808PR	ENUX061808PV	ENUX061808DP	ENUX061808PRL	ENUX061808DPL
600 x 2000 x 400	ENUX062004PR	ENUX062004PV	ENUX062004DP	ENUX062004PRL	ENUX062004DPL
600 x 2000 x 500	ENUX062005PR	ENUX062005PV	ENUX062005DP	ENUX062005PRL	ENUX062005DPL
600 x 2000 x 600	ENUX062006PR	ENUX062006PV	ENUX062006DP	ENUX062006PRL	ENUX062006DPL
600 x 2000 x 800	ENUX062008PR	ENUX062008PV	ENUX062008DP	ENUX062008PRL	ENUX062008DPL
600 x 2000 x 1000	ENUX062010PR	—	—		
600 x 2200 x 500	ENUX062205PR	ENUX062205PV	ENUX062205DP		
600 x 2200 x 600	ENUX062206PR	ENUX062206PV	ENUX062206DP		
600 x 2200 x 800	ENUX062208PR	ENUX062208PV	ENUX062208DP		
800 x 1400 x 400	ENUX081404PR	ENUX081404PV	ENUX081404DP		
800 x 1400 x 500	ENUX081405PR	ENUX081405PV	ENUX081405DP		
800 x 1600 x 400	ENUX081604PR	ENUX081604PV	ENUX081604DP		
800 x 1600 x 500	ENUX081605PR	ENUX081605PV	ENUX081605DP		
800 x 1600 x 600	ENUX081606PR	ENUX081606PV	ENUX081606DP		
800 x 1800 x 400	ENUX081804PR	ENUX081804PV	ENUX081804DP	ENUX081804PRL	ENUX081804DPL
800 x 1800 x 500	ENUX081805PR	ENUX081805PV	ENUX081805DP	ENUX081805PRL	ENUX081805DPL
800 x 1800 x 600	ENUX081806PR	ENUX081806PV	ENUX081806DP	ENUX081806PRL	ENUX081806DPL
800 x 1800 x 800	ENUX081808PR	ENUX081808PV	ENUX081808DP	ENUX081808PRL	ENUX081808DPL
800 x 2000 x 400	ENUX082004PR	ENUX082004PV	ENUX082004DP	ENUX082004PRL	ENUX082004DPL
800 x 2000 x 500	ENUX082005PR	ENUX082005PV	ENUX082005DP	ENUX082005PRL	ENUX082005DPL
800 x 2000 x 600	ENUX082006PR	ENUX082006PV	ENUX082006DP	ENUX082006PRL	ENUX082006DPL
800 x 2000 x 800	ENUX082008PR	ENUX082008PV	ENUX082008DP	ENUX082008PRL	ENUX082008DPL
800 x 2000 x 1000	ENUX082010PR	—	—		
800 x 2200 x 500	ENUX082205PR	ENUX082205PV	ENUX082205DP		
800 x 2200 x 600	ENUX082206PR	ENUX082206PV	ENUX082206DP		
800 x 2200 x 800	ENUX082208PR	ENUX082208PV	ENUX082208DP		

ASSEMBLED CABINET

IMAGES ARE ONLY INTENDED TO ILLUSTRATE THE PRODUCT	E NUX			E NUX SIMPLEX	
	CABINET WITH FRONT BLANK DOOR + REAR PANEL (1)	CABINET WITH FRONT PLEXI DOOR + REAR PANEL (2)	CABINET WITH FRONT BLANK DOOR + REAR BLANK DOOR (3)	CABINET WITH FRONT BLANK DOOR + REAR PANEL (1)	CABINET WITH FRONT BLANK DOOR + REAR BLANK DOOR (3)
DIMENSIONS W x H x D					
1000 x 1600 x 400	ENUX101604PR	ENUX101604PV	ENUX101604DP		
1000 x 1600 x 500	ENUX101605PR	ENUX101605PV	ENUX101605DP		
1000 x 1600 x 600	ENUX101606PR	ENUX101606PV	ENUX101606DP		
1000 x 1800 x 400	ENUX101804PR	ENUX101804PV	ENUX101804DP	ENUX101804PRL	ENUX101804DPL
1000 x 1800 x 500	ENUX101805PR	ENUX101805PV	ENUX101805DP	ENUX101805PRL	ENUX101805DPL
1000 x 1800 x 600	ENUX101806PR	ENUX101806PV	ENUX101806DP	ENUX101806PRL	ENUX101806DPL
1000 x 1800 x 800	ENUX101808PR	ENUX101808PV	ENUX101808DP	ENUX101808PRL	ENUX101808DPL
1000 x 2000 x 400	ENUX102004PR	ENUX102004PV	ENUX102004DP	ENUX102004PRL	ENUX102004DPL
1000 x 2000 x 500	ENUX102005PR	ENUX102005PV	ENUX102005DP	ENUX102005PRL	ENUX102005DPL
1000 x 2000 x 600	ENUX102006PR	ENUX102006PV	ENUX102006DP	ENUX102006PRL	ENUX102006DPL
1000 x 2000 x 800	ENUX102008PR	ENUX102008PV	ENUX102008DP	ENUX102008PRL	ENUX102008DPL
1000 x 2200 x 500	ENUX102205PR	ENUX102205PV	ENUX102205DP		
1000 x 2200 x 600	ENUX102206PR	ENUX102206PV	ENUX102206DP		
1000 x 2200 x 800	ENUX102208PR	ENUX102208PV	ENUX102208DP		
1200 x 1400 x 400	ENUX121404PR		ENUX121404DP		
1200 x 1400 x 500	ENUX121405PR		ENUX121405DP		
1200 x 1600 x 400	ENUX121604PR		ENUX121604DP		
1200 x 1600 x 500	ENUX121605PR		ENUX121605DP		
1200 x 1600 x 600	ENUX121606PR		ENUX121606DP		
1200 x 1800 x 400	ENUX121804PR		ENUX121804DP	ENUX121804PRL	ENUX121804DPL
1200 x 1800 x 500	ENUX121805PR		ENUX121805DP	ENUX121805PRL	ENUX121805DPL
1200 x 1800 x 600	ENUX121806PR		ENUX121806DP	ENUX121806PRL	ENUX121806DPL
1200 x 1800 x 800	ENUX121808PR		ENUX121808DP	ENUX121808PRL	ENUX121808DPL
1200 x 2000 x 400	ENUX122004PR		ENUX122004DP	ENUX122004PRL	ENUX122004DPL
1200 x 2000 x 500	ENUX122005PR		ENUX122005DP	ENUX122005PRL	ENUX122005DPL
1200 x 2000 x 600	ENUX122006PR		ENUX122006DP	ENUX122006PRL	ENUX122006DPL
1200 x 2000 x 800	ENUX122008PR		ENUX122008DP	ENUX122008PRL	ENUX122008DPL
1200 x 2000 x 1000	ENUX122010PR		—		
1200 x 2200 x 500	ENUX122205PR		ENUX122205DP		
1200 x 2200 x 600	ENUX122206PR		ENUX122206DP		
1200 x 2200 x 800	ENUX122208PR		ENUX122208DP		
1400 x 2000 x 400	ENUX142004PR		ENUX142004DP		
1400 x 2000 x 500	ENUX142005PR		ENUX142005DP		
1400 x 2000 x 600	ENUX142006PR		ENUX142006DP		
1400 x 2000 x 800	ENUX142008PR		ENUX142008DP		
1600 x 1400 x 400	ENUX161404PR		ENUX161404DP		
1600 x 1400 x 500	ENUX161405PR		ENUX161405DP		
1600 x 2000 x 400	ENUX162004PR		ENUX162004DP		
1600 x 2000 x 500	ENUX162005PR		ENUX162005DP		
1600 x 2000 x 600	ENUX162006PR		ENUX162006DP		
1600 x 2000 x 800	ENUX162008PR		ENUX162008DP		

(1) supply includes the cabinet frame, blank door and rear panel. To be ordered separately mounting plate, side panels, plinth, eyebolts WTGS-001
 (2) supply includes the cabinet frame, plexi door and rear panel. To be ordered separately mounting plate, side panels, plinth, eyebolts WTGS-001
 (3) supply includes the cabinet frame, front door and rear door. To be ordered separately mounting plate, side panels, plinth, eyebolts WTGS-001



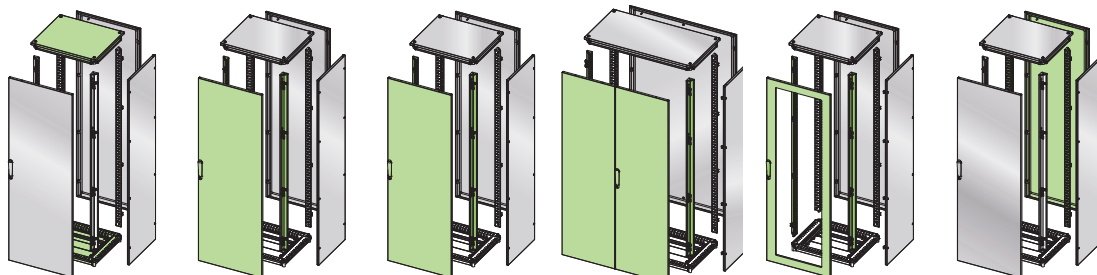
FLAT-PACK CABINET

Suite

DIMENSIONS W x H x D	IMAGES ARE ONLY INTENDED TO ILLUSTRATE THE PRODUCT					
	ROOF + BOTTOM	FRONT BLANK DOOR + FRONT UPRIGHTS	FRONT BLANK DOOR + FRONT UPRIGHTS (E NUX SIMPLEX)	FRONT BLANK DOOR 500+500 + FRONT UPRIGHTS	PLEXI DOOR + FRONT UPRIGHTS	REAR PANEL + REAR UPRIGHTS
400 x 1600 x 400	EUTF040040	EUP0040160				EURE040160
400 x 1600 x 500	EUTF040050	EUP0040160				EURE040160
400 x 1600 x 600	EUTF040060	EUP0040160				EURE040160
400 x 1800 x 400	EUTF040040	EUP0040180				EURE040180
400 x 1800 x 500	EUTF040050	EUP0040180				EURE040180
400 x 1800 x 600	EUTF040060	EUP0040180				EURE040180
400 x 1800 x 800	EUTF040080	EUP0040180				EURE040180
400 x 2000 x 400	EUTF040040	EUP0040200				EURE040200
400 x 2000 x 500	EUTF040050	EUP0040200				EURE040200
400 x 2000 x 600	EUTF040060	EUP0040200				EURE040200
400 x 2000 x 800	EUTF040080	EUP0040200				EURE040200
400 x 2200 x 500	EUTF040050	EUP0040220				EURE040220
400 x 2200 x 600	EUTF040060	EUP0040220				EURE040220
400 x 2200 x 800	EUTF040080	EUP0040220				EURE040220
600 x 1400 x 400	EUTF060040	EUP0060140			EUPV060140	EURE060140
600 x 1400 x 500	EUTF060050	EUP0060140			EUPV060140	EURE060140
600 x 1600 x 400	EUTF060040	EUP0060160			EUPV060160	EURE060160
600 x 1600 x 500	EUTF060050	EUP0060160			EUPV060160	EURE060160
600 x 1600 x 600	EUTF060060	EUP0060160			EUPV060160	EURE060160
600 x 1800 x 400	EUTF060040	EUP0060180	EUP0060180L		EUPV060180	EURE060180
600 x 1800 x 500	EUTF060050	EUP0060180	EUP0060180L		EUPV060180	EURE060180
600 x 1800 x 600	EUTF060060	EUP0060180	EUP0060180L		EUPV060180	EURE060180
600 x 1800 x 800	EUTF060080	EUP0060180	EUP0060180L		EUPV060180	EURE060180
600 x 2000 x 400	EUTF060040	EUP0060200	EUP0060200L		EUPV060200	EURE060200
600 x 2000 x 500	EUTF060050	EUP0060200	EUP0060200L		EUPV060200	EURE060200
600 x 2000 x 600	EUTF060060	EUP0060200	EUP0060200L		EUPV060200	EURE060200
600 x 2000 x 800	EUTF060080	EUP0060200	EUP0060200L		EUPV060200	EURE060200
600 x 2200 x 500	EUTF060050	EUP0060220			EUPV060220	EURE060220
600 x 2200 x 600	EUTF060060	EUP0060220			EUPV060220	EURE060220
600 x 2200 x 800	EUTF060080	EUP0060220			EUPV060220	EURE060220
800 x 1400 x 400	EUTF080040	EUP0080140			EUPV080140	EURE080140
800 x 1400 x 500	EUTF080050	EUP0080140			EUPV080140	EURE080140
800 x 1600 x 400	EUTF080040	EUP0080160			EUPV080160	EURE080160
800 x 1600 x 500	EUTF080050	EUP0080160			EUPV080160	EURE080160
800 x 1600 x 600	EUTF080060	EUP0080160			EUPV080160	EURE080160
800 x 1800 x 400	EUTF080040	EUP0080180	EUP0080180L		EUPV080180	EURE080180
800 x 1800 x 500	EUTF080050	EUP0080180	EUP0080180L		EUPV080180	EURE080180
800 x 1800 x 600	EUTF080060	EUP0080180	EUP0080180L		EUPV080180	EURE080180
800 x 1800 x 800	EUTF080080	EUP0080180	EUP0080180L		EUPV080180	EURE080180
800 x 2000 x 400	EUTF080040	EUP0080200	EUP0080200L		EUPV080200	EURE080200
800 x 2000 x 500	EUTF080050	EUP0080200	EUP0080200L		EUPV080200	EURE080200
800 x 2000 x 600	EUTF080060	EUP0080200	EUP0080200L		EUPV080200	EURE080200
800 x 2000 x 800	EUTF080080	EUP0080200	EUP0080200L		EUPV080200	EURE080200
800 x 2200 x 500	EUTF080050	EUP0080220			EUPV080220	EURE080220
800 x 2200 x 600	EUTF080060	EUP0080220			EUPV080220	EURE080220
800 x 2200 x 800	EUTF080080	EUP0080220			EUPV080220	EURE080220

FLAT-PACK CABINET

IMAGES ARE ONLY INTENDED TO ILLUSTRATE THE PRODUCT



DIMENSIONS W x H x D	ROOF + BOTTOM	FRONT BLANK DOOR + FRONT UPRIGHTS	FRONT BLANK DOOR + FRONT UPRIGHTS (E NUX SIMPLEX)	FRONT BLANK DOOR 500+500 + FRONT UPRIGHTS	PLEXI DOOR + FRONT UPRIGHTS	REAR PANEL + REAR UPRIGHTS
1000 x 1600 x 400	EUTF100040	EUP0100160		EUP0100160DP	EUPV100160	EURE100160
1000 x 1600 x 500	EUTF100050	EUP0100160		EUP0100160DP	EUPV100160	EURE100160
1000 x 1600 x 600	EUTF100060	EUP0100160		EUP0100160DP	EUPV100160	EURE100160
1000 x 1800 x 400	EUTF100040	EUP0100180	EUP0100180L	EUP0100180DP	EUPV100180	EURE100180
1000 x 1800 x 500	EUTF100050	EUP0100180	EUP0100180L	EUP0100180DP	EUPV100180	EURE100180
1000 x 1800 x 600	EUTF100060	EUP0100180	EUP0100180L	EUP0100180DP	EUPV100180	EURE100180
1000 x 1800 x 800	EUTF100080	EUP0100180	EUP0100180L	EUP0100180DP	EUPV100180	EURE100180
1000 x 2000 x 400	EUTF100040	EUP0100200	EUP0100200L	EUP0100200DP	EUPV100200	EURE100200
1000 x 2000 x 500	EUTF100050	EUP0100200	EUP0100200L	EUP0100200DP	EUPV100200	EURE100200
1000 x 2000 x 600	EUTF100060	EUP0100200	EUP0100200L	EUP0100200DP	EUPV100200	EURE100200
1000 x 2000 x 800	EUTF100080	EUP0100200	EUP0100200L	EUP0100200DP	EUPV100200	EURE100200
1000 x 2200 x 500	EUTF100050	EUP0100220		EUP0100220DP	EUPV100220	EURE100220
1000 x 2200 x 600	EUTF100060	EUP0100220		EUP0100220DP	EUPV100220	EURE100220
1000 x 2200 x 800	EUTF100080	EUP0100220		EUP0100220DP	EUPV100220	EURE100220
1200 x 1400 x 400	EUTF120040	EUP0120140				EURE120140
1200 x 1400 x 500	EUTF120050	EUP0120140				EURE120140
1200 x 1600 x 400	EUTF120040	EUP0120160				EURE120160
1200 x 1600 x 500	EUTF120050	EUP0120160				EURE120160
1200 x 1600 x 600	EUTF120060	EUP0120160				EURE120160
1200 x 1800 x 400	EUTF120040	EUP0120180	EUP0120180L			EURE120180
1200 x 1800 x 500	EUTF120050	EUP0120180	EUP0120180L			EURE120180
1200 x 1800 x 600	EUTF120060	EUP0120180	EUP0120180L			EURE120180
1200 x 1800 x 800	EUTF120080	EUP0120180	EUP0120180L			EURE120180
1200 x 2000 x 400	EUTF120040	EUP0120200	EUP0120200L			EURE120200
1200 x 2000 x 500	EUTF120050	EUP0120200	EUP0120200L			EURE120200
1200 x 2000 x 600	EUTF120060	EUP0120200	EUP0120200L			EURE120200
1200 x 2000 x 800	EUTF120080	EUP0120200	EUP0120200L			EURE120200
1200 x 2200 x 500	EUTF120050	EUP0120220				EURE120220
1200 x 2200 x 600	EUTF120060	EUP0120220				EURE120220
1200 x 2200 x 800	EUTF120080	EUP0120220				EURE120220
1400 x 2000 x 400	EUTF140040	EUP0140200				EURE140200
1400 x 2000 x 500	EUTF140050	EUP0140200				EURE140200
1400 x 2000 x 600	EUTF140060	EUP0140200				EURE140200
1400 x 2000 x 800	EUTF140080	EUP0140200				EURE140200
1600 x 1400 x 400	EUTF160040	EUP0160140				EURE160140
1600 x 1400 x 500	EUTF160050	EUP0160140				EURE160140
1600 x 2000 x 400	EUTF160040	EUP0160200				EURE160200
1600 x 2000 x 500	EUTF160050	EUP0160200				EURE160200
1600 x 2000 x 600	EUTF160060	EUP0160200				EURE160200
1600 x 2000 x 800	EUTF160080	EUP0160200				EURE160200



ACCESSORIES TO COMPLETE THE CABINET

Suite

DIMENSIONS W X H X D	FRONT INSERTED MOUNTING PLATE (5)		SIDE PANELS (6)	PLINTH H=100 UNIVERSAL CORNER PIECES (7)		
	FRONT INSERTED MOUNTING PLATE E NUX SIMPLEX (5)			PLINTH H=100 FRONT/REAR CROSSPIECES (8)	PLINTH H=100 SIDE CROSSPIECES (9)	
200 x 1800 x 500						
200 x 2000 x 600						
300 x 1600 x 400			EUF1040160	EUZE-A100	EUZE-T0300	EUZE-T0400
300 x 1600 x 500			EUF1050160	EUZE-A100	EUZE-T0300	EUZE-T0500
300 x 1600 x 600			EUF1060160	EUZE-A100	EUZE-T0300	EUZE-T0600
300 x 1800 x 400			EUF1040180	EUZE-A100	EUZE-T0300	EUZE-T0400
300 x 1800 x 500			EUF1050180	EUZE-A100	EUZE-T0300	EUZE-T0500
300 x 1800 x 600			EUF1060180	EUZE-A100	EUZE-T0300	EUZE-T0600
300 x 1800 x 800			EUF1080180	EUZE-A100	EUZE-T0300	EUZE-T0800
300 x 2000 x 400			EUF1040200	EUZE-A100	EUZE-T0300	EUZE-T0400
300 x 2000 x 500			EUF1050200	EUZE-A100	EUZE-T0300	EUZE-T0500
300 x 2000 x 600			EUF1060200	EUZE-A100	EUZE-T0300	EUZE-T0600
300 x 2000 x 800			EUF1080200	EUZE-A100	EUZE-T0300	EUZE-T0800
300 x 2200 x 500			EUF1050220	EUZE-A100	EUZE-T0300	EUZE-T0500
300 x 2200 x 600			EUF1060220	EUZE-A100	EUZE-T0300	EUZE-T0600
300 x 2200 x 800			EUF1080220	EUZE-A100	EUZE-T0300	EUZE-T0800
400 x 1600 x 400	EUPA-040160		EUF1040160	EUZE-A100	EUZE-T0400	EUZE-T0400
400 x 1600 x 500	EUPA-040160		EUF1050160	EUZE-A100	EUZE-T0400	EUZE-T0500
400 x 1600 x 600	EUPA-040160		EUF1060160	EUZE-A100	EUZE-T0400	EUZE-T0600
400 x 1800 x 400	EUPA-040180		EUF1040180	EUZE-A100	EUZE-T0400	EUZE-T0400
400 x 1800 x 500	EUPA-040180		EUF1050180	EUZE-A100	EUZE-T0400	EUZE-T0500
400 x 1800 x 600	EUPA-040180		EUF1060180	EUZE-A100	EUZE-T0400	EUZE-T0600
400 x 1800 x 800	EUPA-040180		EUF1080180	EUZE-A100	EUZE-T0400	EUZE-T0800
400 x 2000 x 400	EUPA-040200		EUF1040200	EUZE-A100	EUZE-T0400	EUZE-T0400
400 x 2000 x 500	EUPA-040200		EUF1050200	EUZE-A100	EUZE-T0400	EUZE-T0500
400 x 2000 x 600	EUPA-040200		EUF1060200	EUZE-A100	EUZE-T0400	EUZE-T0600
400 x 2000 x 800	EUPA-040200		EUF1080200	EUZE-A100	EUZE-T0400	EUZE-T0800
400 x 2200 x 500	EUPA-040220		EUF1050220	EUZE-A100	EUZE-T0400	EUZE-T0500
400 x 2200 x 600	EUPA-040220		EUF1060220	EUZE-A100	EUZE-T0400	EUZE-T0600
400 x 2200 x 800	EUPA-040220		EUF1080220	EUZE-A100	EUZE-T0400	EUZE-T0800
600 x 1400 x 400	EUPA-060140		EUF1040140	EUZE-A100	EUZE-T0600	EUZE-T0400
600 x 1400 x 500	EUPA-060140		EUF1050140	EUZE-A100	EUZE-T0600	EUZE-T0500
600 x 1600 x 400	EUPA-060160		EUF1040160	EUZE-A100	EUZE-T0600	EUZE-T0400
600 x 1600 x 500	EUPA-060160		EUF1050160	EUZE-A100	EUZE-T0600	EUZE-T0500
600 x 1600 x 600	EUPA-060160		EUF1060160	EUZE-A100	EUZE-T0600	EUZE-T0600
600 x 1800 x 400	EUPA-060180	EUPA-060180L	EUF1040180	EUZE-A100	EUZE-T0600	EUZE-T0400
600 x 1800 x 500	EUPA-060180	EUPA-060180L	EUF1050180	EUZE-A100	EUZE-T0600	EUZE-T0500
600 x 1800 x 600	EUPA-060180	EUPA-060180L	EUF1060180	EUZE-A100	EUZE-T0600	EUZE-T0600
600 x 1800 x 800	EUPA-060180	EUPA-060180L	EUF1080180	EUZE-A100	EUZE-T0600	EUZE-T0800
600 x 2000 x 400	EUPA-060200	EUPA-060200L	EUF1040200	EUZE-A100	EUZE-T0600	EUZE-T0400
600 x 2000 x 500	EUPA-060200	EUPA-060200L	EUF1050200	EUZE-A100	EUZE-T0600	EUZE-T0500
600 x 2000 x 600	EUPA-060200	EUPA-060200L	EUF1060200	EUZE-A100	EUZE-T0600	EUZE-T0600
600 x 2000 x 800	EUPA-060200	EUPA-060200L	EUF1080200	EUZE-A100	EUZE-T0600	EUZE-T0800
600 x 2000 x 1000	EUPA-060200		EUF1100200	EUZE-A100	EUZE-T0600	EUZE-T1000
600 x 2200 x 500	EUPA-060220		EUF1050220	EUZE-A100	EUZE-T0600	EUZE-T0500
600 x 2200 x 600	EUPA-060220		EUF1060220	EUZE-A100	EUZE-T0600	EUZE-T0600
600 x 2200 x 800	EUPA-060220		EUF1080220	EUZE-A100	EUZE-T0600	EUZE-T0800

(5) to be ordered separately mounting accessories WTKB-002
 (6) supply includes 2 pieces
 (7) supply includes 4 pieces

(8) supply includes 2 pieces
 (9) supply includes 2 pieces



MAIN ACCESSORIES

DIMENSIONS W x H x D	CABLE ENTRY MODULE FRONT OPENING (3) (4)	CABLE ENTRY MODULE SIDE OPENING W=200/300	INTERMEDIATE PLATE	SIDE INSERTED MOUNTING PLATE	INNER DOOR	FAST FIXING BRACKETS H=25 MM (10)
200 x 1800 x 500		EURP021805				
200 x 2000 x 600		EURP022006				
300 x 1600 x 400	ENUX031604					
300 x 1600 x 500	ENUX031605					
300 x 1600 x 600	ENUX031606					
300 x 1800 x 400	ENUX031804					
300 x 1800 x 500	ENUX031805	EURP031805				
300 x 1800 x 600	ENUX031806	EURP031806				
300 x 1800 x 800	ENUX031808	EURP031808				
300 x 2000 x 400	ENUX032004					
300 x 2000 x 500	ENUX032005	EURP032005				
300 x 2000 x 600	ENUX032006	EURP032006				
300 x 2000 x 800	ENUX032008	EURP032008				
300 x 2200 x 500	ENUX032205					
300 x 2200 x 600	ENUX032206					
300 x 2200 x 800	ENUX032208					
400 x 1600 x 400			EUPN-001600	EUPL-040160		WTPR-025040R
400 x 1600 x 500			EUPN-001600	EUPL-040160		WTPR-025050R
400 x 1600 x 600			EUPN-001600	EUPL-040160		WTPR-025060R
400 x 1800 x 400			EUPN-001800	EUPL-040180		WTPR-025040R
400 x 1800 x 500			EUPN-001800	EUPL-040180		WTPR-025050R
400 x 1800 x 600			EUPN-001800	EUPL-040180		WTPR-025060R
400 x 1800 x 800			EUPN-001800	EUPL-040180		WTPR-025080R
400 x 2000 x 400			EUPN-002000	EUPL-040200		WTPR-025040R
400 x 2000 x 500			EUPN-002000	EUPL-040200		WTPR-025050R
400 x 2000 x 600			EUPN-002000	EUPL-040200		WTPR-025060R
400 x 2000 x 800			EUPN-002000	EUPL-040200		WTPR-025080R
400 x 2200 x 500			EUPN-002200	EUPL-040220		WTPR-025050R
400 x 2200 x 600			EUPN-002200	EUPL-040220		WTPR-025060R
400 x 2200 x 800			EUPN-002200	EUPL-040220		WTPR-025080R
600 x 1400 x 400			EUPN-001400	EUPL-060140	EUPI060140	WTPR-025040R
600 x 1400 x 500			EUPN-001400	EUPL-060140	EUPI060140	WTPR-025050R
600 x 1600 x 400			EUPN-001600	EUPL-060160	EUPI060160	WTPR-025040R
600 x 1600 x 500			EUPN-001600	EUPL-060160	EUPI060160	WTPR-025050R
600 x 1600 x 600			EUPN-001600	EUPL-060160	EUPI060160	WTPR-025060R
600 x 1800 x 400			EUPN-001800	EUPL-060180	EUPI060180	WTPR-025040R
600 x 1800 x 500			EUPN-001800	EUPL-060180	EUPI060180	WTPR-025050R
600 x 1800 x 600			EUPN-001800	EUPL-060180	EUPI060180	WTPR-025060R
600 x 1800 x 800			EUPN-001800	EUPL-060180	EUPI060180	WTPR-025080R
600 x 2000 x 400			EUPN-002000	EUPL-060200	EUPI060200	WTPR-025040R
600 x 2000 x 500			EUPN-002000	EUPL-060200	EUPI060200	WTPR-025050R
600 x 2000 x 600			EUPN-002000	EUPL-060200	EUPI060200	WTPR-025060R
600 x 2000 x 800			EUPN-002000	EUPL-060200	EUPI060200	WTPR-025080R
600 x 2000 x 1000			EUPN-002000	EUPL-060200	EUPI060200	WTPR-025100R
600 x 2200 x 500			EUPN-002200	EUPL-060220	EUPI060220	WTPR-025050R
600 x 2200 x 600			EUPN-002200	EUPL-060220	EUPI060220	WTPR-025060R
600 x 2200 x 800			EUPN-002200	EUPL-060220	EUPI060220	WTPR-025080R

(3) for the flat-pack version, see page 50

(4) supply includes cabinet frame, front door and rear panel. To be ordered separately plinth, side panels and eyebolts WTGS-001

(10) supply includes 4 pieces

Suite

ACCESSORIES TO COMPLETE THE CABINET

DIMENSIONS W x H x D	FRONT INSERTED MOUNTING PLATE (5)		SIDE PANELS (6)	PLINTH H=100		
	FRONT INSERTED MOUNTING PLATE (5)	FRONT INSERTED MOUNTING PLATE E NUX SIMPLEX (5)		UNIVERSAL CORNER PIECES (7)	FRONT/REAR CROSSPIECES (8)	SIDE CROSSPIECES (9)
800 x 1400 x 400	EUPA-080140		EUF1040140	EUZE-A100	EUZE-T0800	EUZE-T0400
800 x 1400 x 500	EUPA-080140		EUF1050140	EUZE-A100	EUZE-T0800	EUZE-T0500
800 x 1600 x 400	EUPA-080160		EUF1040160	EUZE-A100	EUZE-T0800	EUZE-T0400
800 x 1600 x 500	EUPA-080160		EUF1050160	EUZE-A100	EUZE-T0800	EUZE-T0500
800 x 1600 x 600	EUPA-080160		EUF1060160	EUZE-A100	EUZE-T0800	EUZE-T0600
800 x 1800 x 400	EUPA-080180	EUPA-080180L	EUF1040180	EUZE-A100	EUZE-T0800	EUZE-T0400
800 x 1800 x 500	EUPA-080180	EUPA-080180L	EUF1050180	EUZE-A100	EUZE-T0800	EUZE-T0500
800 x 1800 x 600	EUPA-080180	EUPA-080180L	EUF1060180	EUZE-A100	EUZE-T0800	EUZE-T0600
800 x 1800 x 800	EUPA-080180	EUPA-080180L	EUF1080180	EUZE-A100	EUZE-T0800	EUZE-T0800
800 x 2000 x 400	EUPA-080200	EUPA-080200L	EUF1040200	EUZE-A100	EUZE-T0800	EUZE-T0400
800 x 2000 x 500	EUPA-080200	EUPA-080200L	EUF1050200	EUZE-A100	EUZE-T0800	EUZE-T0500
800 x 2000 x 600	EUPA-080200	EUPA-080200L	EUF1060200	EUZE-A100	EUZE-T0800	EUZE-T0600
800 x 2000 x 800	EUPA-080200	EUPA-080200L	EUF1080200	EUZE-A100	EUZE-T0800	EUZE-T0800
800 x 2000 x 1000	EUPA-080200		EUF1100200	EUZE-A100	EUZE-T0800	EUZE-T1000
800 x 2200 x 500	EUPA-080220		EUF1050220	EUZE-A100	EUZE-T0800	EUZE-T0500
800 x 2200 x 600	EUPA-080220		EUF1060220	EUZE-A100	EUZE-T0800	EUZE-T0600
800 x 2200 x 800	EUPA-080220		EUF1080220	EUZE-A100	EUZE-T0800	EUZE-T0800
1000 x 1600 x 400	EUPA-100160		EUF1040160	EUZE-A100	EUZE-T1000	EUZE-T0400
1000 x 1600 x 500	EUPA-100160		EUF1050160	EUZE-A100	EUZE-T1000	EUZE-T0500
1000 x 1600 x 600	EUPA-100160		EUF1060160	EUZE-A100	EUZE-T1000	EUZE-T0600
1000 x 1800 x 400	EUPA-100180	EUPA-100180L	EUF1040180	EUZE-A100	EUZE-T1000	EUZE-T0400
1000 x 1800 x 500	EUPA-100180	EUPA-100180L	EUF1050180	EUZE-A100	EUZE-T1000	EUZE-T0500
1000 x 1800 x 600	EUPA-100180	EUPA-100180L	EUF1060180	EUZE-A100	EUZE-T1000	EUZE-T0600
1000 x 1800 x 800	EUPA-100180	EUPA-100180L	EUF1080180	EUZE-A100	EUZE-T1000	EUZE-T0800
1000 x 2000 x 400	EUPA-100200	EUPA-100200L	EUF1040200	EUZE-A100	EUZE-T1000	EUZE-T0400
1000 x 2000 x 500	EUPA-100200	EUPA-100200L	EUF1050200	EUZE-A100	EUZE-T1000	EUZE-T0500
1000 x 2000 x 600	EUPA-100200	EUPA-100200L	EUF1060200	EUZE-A100	EUZE-T1000	EUZE-T0600
1000 x 2000 x 800	EUPA-100200	EUPA-100200L	EUF1080200	EUZE-A100	EUZE-T1000	EUZE-T0800
1000 x 2200 x 500	EUPA-100220		EUF1050220	EUZE-A100	EUZE-T1000	EUZE-T0500
1000 x 2200 x 600	EUPA-100220		EUF1060220	EUZE-A100	EUZE-T1000	EUZE-T0600
1000 x 2200 x 800	EUPA-100220		EUF1080220	EUZE-A100	EUZE-T1000	EUZE-T0800

(5) to be ordered separately mounting accessories WTKB-002
 (6) supply includes 2 pieces
 (7) supply includes 4 pieces

(8) supply includes 2 pieces
 (9) supply includes 2 pieces

MAIN ACCESSORIES

IMAGES ARE ONLY INTENDED TO ILLUSTRATE THE PRODUCT

DIMENSIONS W x H x D	CABLE ENTRY MODULE FRONT OPENING (3) (4)	CABLE ENTRY MODULE SIDE OPENING W=200/300	INTERMEDIATE PLATE	SIDE INSERTED MOUNTING PLATE	INNER DOOR	FAST FIXING BRACKETS H=25 MM (10)
800 x 1400 x 400			EUPN-001400	EUPL-080140	EUPI080140	WTPR-025040R
800 x 1400 x 500			EUPN-001400	EUPL-080140	EUPI080140	WTPR-025050R
800 x 1600 x 400			EUPN-001600	EUPL-080160	EUPI080160	WTPR-025040R
800 x 1600 x 500			EUPN-001600	EUPL-080160	EUPI080160	WTPR-025050R
800 x 1600 x 600			EUPN-001600	EUPL-080160	EUPI080160	WTPR-025060R
800 x 1800 x 400			EUPN-001800	EUPL-080180	EUPI080180	WTPR-025040R
800 x 1800 x 500			EUPN-001800	EUPL-080180	EUPI080180	WTPR-025050R
800 x 1800 x 600			EUPN-001800	EUPL-080180	EUPI080180	WTPR-025060R
800 x 1800 x 800			EUPN-001800	EUPL-080180	EUPI080180	WTPR-025080R
800 x 2000 x 400			EUPN-002000	EUPL-080200	EUPI080200	WTPR-025040R
800 x 2000 x 500			EUPN-002000	EUPL-080200	EUPI080200	WTPR-025050R
800 x 2000 x 600			EUPN-002000	EUPL-080200	EUPI080200	WTPR-025060R
800 x 2000 x 800			EUPN-002000	EUPL-080200	EUPI080200	WTPR-025080R
800 x 2000 x 1000			EUPN-002000	EUPL-080200	EUPI080200	WTPR-025100R
800 x 2200 x 500			EUPN-002200	EUPL-080220	EUPI080220	WTPR-025050R
800 x 2200 x 600			EUPN-002200	EUPL-080220	EUPI080220	WTPR-025060R
800 x 2200 x 800			EUPN-002200	EUPL-080220	EUPI080220	WTPR-025080R
1000 x 1600 x 400			EUPN-001600	EUPL-100160	EUPI100160	WTPR-025040R
1000 x 1600 x 500			EUPN-001600	EUPL-100160	EUPI100160	WTPR-025050R
1000 x 1600 x 600			EUPN-001600	EUPL-100160	EUPI100160	WTPR-025060R
1000 x 1800 x 400			EUPN-001800	EUPL-100180	EUPI100180	WTPR-025040R
1000 x 1800 x 500			EUPN-001800	EUPL-100180	EUPI100180	WTPR-025050R
1000 x 1800 x 600			EUPN-001800	EUPL-100180	EUPI100180	WTPR-025060R
1000 x 1800 x 800			EUPN-001800	EUPL-100180	EUPI100180	WTPR-025080R
1000 x 2000 x 400			EUPN-002000	EUPL-100200	EUPI100200	WTPR-025040R
1000 x 2000 x 500			EUPN-002000	EUPL-100200	EUPI100200	WTPR-025050R
1000 x 2000 x 600			EUPN-002000	EUPL-100200	EUPI100200	WTPR-025060R
1000 x 2000 x 800			EUPN-002000	EUPL-100200	EUPI100200	WTPR-025080R
1000 x 2200 x 500			EUPN-002200	EUPL-100220	EUPI100220	WTPR-025050R
1000 x 2200 x 600			EUPN-002200	EUPL-100220	EUPI100220	WTPR-025060R
1000 x 2200 x 800			EUPN-002200	EUPL-100220	EUPI100220	WTPR-025080R

(3) for the flat-pack version, see page 50

(10) supply includes 4 pieces

(4) supply includes cabinet frame, front door and rear panel. To be ordered separately plinth, side panels and eyebolts WTGS-001

ACCESSORIES TO COMPLETE THE CABINET

DIMENSIONS W x H x D	FRONT INSERTED MOUNTING PLATE (5)		SIDE PANELS (6)	PLINTH H=100		
	FRONT INSERTED MOUNTING PLATE (5)	FRONT INSERTED MOUNTING PLATE E NUX SIMPLEX (5)		UNIVERSAL CORNER PIECES (7)	FRONT/REAR CROSSPIECES (8)	SIDE CROSSPIECES (9)
1200 x 1400 x 400	EUPA-120140		EUF1040140	EUZE-A100	EUZE-T1200	EUZE-T0400
1200 x 1400 x 500	EUPA-120140		EUF1050140	EUZE-A100	EUZE-T1200	EUZE-T0500
1200 x 1600 x 400	EUPA-120160		EUF1040160	EUZE-A100	EUZE-T1200	EUZE-T0400
1200 x 1600 x 500	EUPA-120160		EUF1050160	EUZE-A100	EUZE-T1200	EUZE-T0500
1200 x 1600 x 600	EUPA-120160		EUF1060160	EUZE-A100	EUZE-T1200	EUZE-T0600
1200 x 1800 x 400	EUPA-120180	EUPA-120180L	EUF1040180	EUZE-A100	EUZE-T1200	EUZE-T0400
1200 x 1800 x 500	EUPA-120180	EUPA-120180L	EUF1050180	EUZE-A100	EUZE-T1200	EUZE-T0500
1200 x 1800 x 600	EUPA-120180	EUPA-120180L	EUF1060180	EUZE-A100	EUZE-T1200	EUZE-T0600
1200 x 1800 x 800	EUPA-120180	EUPA-120180L	EUF1080180	EUZE-A100	EUZE-T1200	EUZE-T0800
1200 x 2000 x 400	EUPA-120200	EUPA-120200L	EUF1040200	EUZE-A100	EUZE-T1200	EUZE-T0400
1200 x 2000 x 500	EUPA-120200	EUPA-120200L	EUF1050200	EUZE-A100	EUZE-T1200	EUZE-T0500
1200 x 2000 x 600	EUPA-120200	EUPA-120200L	EUF1060200	EUZE-A100	EUZE-T1200	EUZE-T0600
1200 x 2000 x 800	EUPA-120200	EUPA-120200L	EUF1080200	EUZE-A100	EUZE-T1200	EUZE-T0800
1200 x 2000 x 1000	EUPA-120200		EUF1100200	EUZE-A100	EUZE-T1200	EUZE-T1000
1200 x 2200 x 500	EUPA-120220		EUF1050220	EUZE-A100	EUZE-T1200	EUZE-T0500
1200 x 2200 x 600	EUPA-120220		EUF1060220	EUZE-A100	EUZE-T1200	EUZE-T0600
1200 x 2200 x 800	EUPA-120220		EUF1080220	EUZE-A100	EUZE-T1200	EUZE-T0800
1400 x 2000 x 400	EUPA-140200		EUF1040200	EUZE-A100	EUZE-T1400	EUZE-T0400
1400 x 2000 x 500	EUPA-140200		EUF1050200	EUZE-A100	EUZE-T1400	EUZE-T0500
1400 x 2000 x 600	EUPA-140200		EUF1060200	EUZE-A100	EUZE-T1400	EUZE-T0600
1400 x 2000 x 800	EUPA-140200		EUF1080200	EUZE-A100	EUZE-T1400	EUZE-T0800
1600 x 1400 x 400	EUPA-160140		EUF1040140	EUZE-A100	EUZE-T1600	EUZE-T0400
1600 x 1400 x 500	EUPA-160140		EUF1050140	EUZE-A100	EUZE-T1600	EUZE-T0500
1600 x 2000 x 400	EUPA-160200		EUF1040200	EUZE-A100	EUZE-T1600	EUZE-T0400
1600 x 2000 x 500	EUPA-160200		EUF1050200	EUZE-A100	EUZE-T1600	EUZE-T0500
1600 x 2000 x 600	EUPA-160200		EUF1060200	EUZE-A100	EUZE-T1600	EUZE-T0600
1600 x 2000 x 800	EUPA-160200		EUF1080200	EUZE-A100	EUZE-T1600	EUZE-T0800

(5) to be ordered separately mounting accessories WTKB-002







(6) supply includes 2 pieces

(7) supply includes 4 pieces

(8) supply includes 2 pieces

(9) supply includes 2 pieces

MAIN ACCESSORIES

IMAGES ARE ONLY INTENDED TO ILLUSTRATE THE PRODUCT						
DIMENSIONS W x H x D	CABLE ENTRY MODULE FRONT OPENING (3) (4)	CABLE ENTRY MODULE SIDE OPENING W=200/300	INTERMEDIATE PLATE	SIDE INSERTED MOUNTING PLATE	INNER DOOR	FAST FIXING BRACKETS H=25 MM (10)
1200 x 1400 x 400			EUPN-001400	EUPL-120140		WTPR-025040R
1200 x 1400 x 500			EUPN-001400	EUPL-120140		WTPR-025050R
1200 x 1600 x 400			EUPN-001600	EUPL-120160		WTPR-025040R
1200 x 1600 x 500			EUPN-001600	EUPL-120160		WTPR-025050R
1200 x 1600 x 600			EUPN-001600	EUPL-120160		WTPR-025060R
1200 x 1800 x 400			EUPN-001800	EUPL-120180		WTPR-025040R
1200 x 1800 x 500			EUPN-001800	EUPL-120180		WTPR-025050R
1200 x 1800 x 600			EUPN-001800	EUPL-120180		WTPR-025060R
1200 x 1800 x 800			EUPN-001800	EUPL-120180		WTPR-025080R
1200 x 2000 x 400			EUPN-002000	EUPL-120200		WTPR-025040R
1200 x 2000 x 500			EUPN-002000	EUPL-120200		WTPR-025050R
1200 x 2000 x 600			EUPN-002000	EUPL-120200		WTPR-025060R
1200 x 2000 x 800			EUPN-002000	EUPL-120200		WTPR-025080R
1200 x 2000 x 1000			EUPN-002000	EUPL-120200		WTPR-025100R
1200 x 2200 x 500			EUPN-002200	EUPL-120220		WTPR-025050R
1200 x 2200 x 600			EUPN-002200	EUPL-120220		WTPR-025060R
1200 x 2200 x 800			EUPN-002200	EUPL-120220		WTPR-025080R
1400 x 2000 x 400			EUPN-002000	EUPL-140200		WTPR-025040R
1400 x 2000 x 500			EUPN-002000	EUPL-140200		WTPR-025050R
1400 x 2000 x 600			EUPN-002000	EUPL-140200		WTPR-025060R
1400 x 2000 x 800			EUPN-002000	EUPL-140200		WTPR-025080R
1600 x 1400 x 400			EUPN-001400	EUPL-160140		WTPR-025040R
1600 x 1400 x 500			EUPN-001400	EUPL-160140		WTPR-025050R
1600 x 2000 x 400			EUPN-002000	EUPL-160200		WTPR-025040R
1600 x 2000 x 500			EUPN-002000	EUPL-160200		WTPR-025050R
1600 x 2000 x 600			EUPN-002000	EUPL-160200		WTPR-025060R
1600 x 2000 x 600			EUPN-002000	EUPL-160200		WTPR-025080R

(3) for the flat-pack version, see page 50

(10) supply includes 4 pieces

(4) supply includes cabinet frame, front door and rear panel. To be ordered separately plinth, side panels and eyebolts WTGS-001



Suite



E NUX accessories, see page 49

EUPA front inserted mounting plate, see page 52

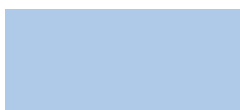
EUFI side panels, see page 63

EUZE modular plinth, see page 65

WTGS-001 eyebolts, see page 74



RAL 5020



Pantone 2717U

CHARACTERISTICS

The profile used for uprights and crosspieces is unique, manufactured from high-strength low-alloy sheet steel, closed with continuous fiber laser welding and free of sharp edges. The bottom is a single piece with box-type structure manufactured from press-bent fiber laser-MIG hybrid welded profiles manufactured from high-strength low-alloy sheet steel. The frame corners are manufactured with orthogonal joints laser welded to vertical upright rails and horizontal rails for the roof and bottom. Only 8 high resistance screws are necessary to mount the structure, while two position pins allow the easy mounting of the two parts of the joint.

PAINT FINISH

- ETA standard epoxy polyester powder coating.
- structure: RAL 7035 smooth finish
- door and rear panel: RAL 7035 textured finish
- roof: RAL 5020 textured finish.

ASSEMBLED E NUX CABINET

- structure manufactured from high-strength low-alloy sheet steel
- door manufactured from 2.0 mm thick sheet steel with stiffening frame, complete with ø 3 mm lever-operated double bar locking system
- rear panel manufactured from sheet steel with rounded folding
- removable roof manufactured from sheet steel
- bottom manufactured from high-strength low-alloy sheet steel with adjustable cable entry (double cable entry for W=1000), complete with seal supplied separately.

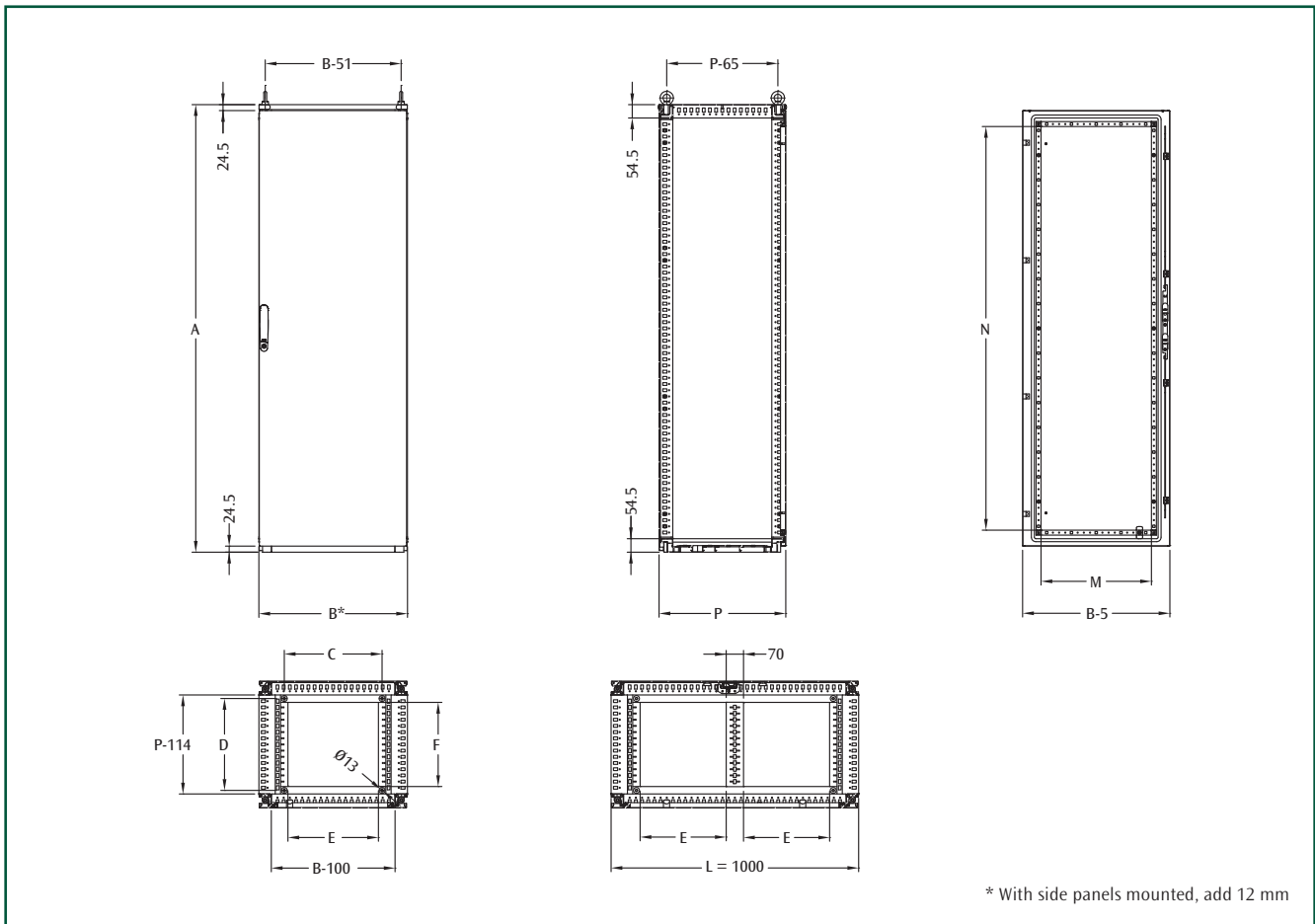
FLAT-PACK E NUX CABINET (ASSEMBLY WITH 8 SCREWS ONLY)

- composition to be assembled complying with customers requests
- panels and doors are supplied together with two vertical uprights complete with accessories.

PROTECTION RATING

- IP55 complying with IEC EN62208; EN60529
- NEMA 12 complying with UL508A; UL50
- protection degree guaranteed by the two-component polyurethane foam seal
- impact resistance IK10 complying with IEC EN62208; EN62202.

Note: for further information, see the Technical section page 307.



Note: for W=400, only stiffening vertical profiles.

Suite

DIMENSIONAL SPECIFICATIONS											
DIMENSIONS			CABINET DIMENSIONS			FLOOR FIXING		CABLE ENTRY		DOOR SPACE	
WIDTH	HEIGHT	DEPTH	B*	A	P	C	D	E	F	M	N
400	1600	400	400	1609	414	195	271	165	240	245	-
400	1600	500	400	1609	514	195	371	165	340	245	-
400	1600	600	400	1609	614	195	471	165	440	245	-
400	1800	400	400	1809	414	195	271	165	240	245	-
400	1800	500	400	1809	514	195	371	165	340	245	-
400	1800	600	400	1809	614	195	471	165	440	245	-
400	1800	800	400	1809	814	195	671	165	640	245	-
400	2000	400	400	2009	414	195	271	165	240	245	-
400	2000	500	400	2009	514	195	371	165	340	245	-
400	2000	600	400	2009	614	195	471	165	440	245	-
400	2000	800	400	2009	814	195	671	165	640	245	-
400	2200	500	400	2209	514	195	371	165	340	245	-
400	2200	600	400	2209	614	195	471	165	440	245	-
400	2200	800	400	2209	814	195	671	165	640	245	-
600	1400	400	600	1409	414	395	271	365	240	445	1230
600	1400	500	600	1409	514	395	371	365	340	445	1230
600	1600	400	600	1609	414	395	271	365	240	445	1430
600	1600	500	600	1609	514	395	371	365	340	445	1430
600	1600	600	600	1609	614	395	471	365	440	445	1430
600	1600	800	600	1609	814	395	671	365	640	445	1430
600	1800	400	600	1809	414	395	271	365	240	445	1630
600	1800	500	600	1809	514	395	371	365	340	445	1630
600	1800	600	600	1809	614	395	471	365	440	445	1630
600	1800	800	600	1809	814	395	671	365	640	445	1630
600	2000	400	600	2009	414	395	271	365	240	445	1830
600	2000	500	600	2009	514	395	371	365	340	445	1830
600	2000	600	600	2009	614	395	471	365	440	445	1830
600	2000	800	600	2009	814	395	671	365	640	445	1830
600	2000	1000	600	2009	1014	395	871	365	840	445	1830
600	2200	500	600	2209	514	395	371	365	340	445	2030
600	2200	600	600	2209	614	395	471	365	440	445	2030
600	2200	800	600	2209	814	395	671	365	640	445	2030
800	1400	400	800	1409	414	595	271	565	240	645	1230
800	1400	500	800	1409	514	595	371	565	340	645	1230
800	1600	400	800	1609	414	595	271	565	240	645	1430
800	1600	500	800	1609	514	595	371	565	340	645	1430
800	1600	600	800	1609	614	595	471	565	440	645	1430
800	1800	400	800	1809	414	595	271	565	240	645	1630
800	1800	500	800	1809	514	595	371	565	340	645	1630
800	1800	600	800	1809	614	595	471	565	440	645	1630
800	1800	800	800	1809	814	595	671	565	640	645	1630
800	2000	400	800	2009	414	595	271	565	240	645	1830
800	2000	500	800	2009	514	595	371	565	340	645	1830
800	2000	600	800	2009	614	595	471	565	440	645	1830
800	2000	800	800	2009	814	595	671	565	640	645	1830
800	2000	1000	800	2009	1014	595	871	565	840	645	1830
800	2200	500	800	2209	514	595	371	565	340	645	2030
800	2200	600	800	2209	614	595	471	565	440	645	2030
800	2200	800	800	2209	814	595	671	565	640	645	2030
1000	1600	400	1000	1609	414	795	271	347	240	845	1430
1000	1600	500	1000	1609	514	795	371	347	340	845	1430
1000	1600	600	1000	1609	614	795	471	347	440	845	1430
1000	1800	400	1000	1809	414	795	271	347	240	845	1630
1000	1800	500	1000	1809	514	795	371	347	340	845	1630
1000	1800	600	1000	1809	614	795	471	347	440	845	1630
1000	1800	800	1000	1809	814	795	671	347	640	845	1630
1000	2000	400	1000	2009	414	795	271	347	240	845	1830
1000	2000	500	1000	2009	514	795	371	347	340	845	1830
1000	2000	600	1000	2009	614	795	471	347	440	845	1830
1000	2000	800	1000	2009	814	795	671	347	640	845	1830
1000	2200	500	1000	2209	514	795	371	347	340	845	2030
1000	2200	600	1000	2209	614	795	471	347	440	845	2030
1000	2200	800	1000	2209	814	795	671	347	640	845	2030

400			CODES FOR ASSEMBLED CABINET		
CABINET DIMENSIONS			CABINET WITH FRONT BLANK DOOR	CABINET WITH FRONT BLANK DOOR	
WIDTH	HEIGHT	DEPTH	+ REAR PANEL	+ REAR DOOR	
400	1600	400	ENUX041604PR	ENUX041604DP	
400	1600	500	ENUX041605PR	ENUX041605DP	
400	1600	600	ENUX041606PR	ENUX041606DP	
400	1800	400	ENUX041804PR	ENUX041804DP	
400	1800	500	ENUX041805PR	ENUX041805DP	
400	1800	600	ENUX041806PR	ENUX041806DP	
400	1800	800	ENUX041808PR	ENUX041808DP	
400	2000	400	ENUX042004PR	ENUX042004DP	
400	2000	500	ENUX042005PR	ENUX042005DP	
400	2000	600	ENUX042006PR	ENUX042006DP	
400	2000	800	ENUX042008PR	ENUX042008DP	
400	2200	500	ENUX042205PR	ENUX042205DP	
400	2200	600	ENUX042206PR	ENUX042206DP	
400	2200	800	ENUX042208PR	ENUX042208DP	

400			CODES FOR FLAT-PACK CABINET		
CABINET DIMENSIONS			ROOF + BOTTOM	BLANK DOOR	REAR PANEL
WIDTH	HEIGHT	DEPTH		+ FRONT UPRIGHTS	+ REAR UPRIGHTS
400	1600	400	EUTF040040	EUPO040160	EURE040160
400	1600	500	EUTF040050	EUPO040160	EURE040160
400	1600	600	EUTF040060	EUPO040160	EURE040160
400	1800	400	EUTF040040	EUPO040180	EURE040180
400	1800	500	EUTF040050	EUPO040180	EURE040180
400	1800	600	EUTF040060	EUPO040180	EURE040180
400	1800	800	EUTF040080	EUPO040180	EURE040180
400	2000	400	EUTF040040	EUPO040200	EURE040200
400	2000	500	EUTF040050	EUPO040200	EURE040200
400	2000	600	EUTF040060	EUPO040200	EURE040200
400	2000	800	EUTF040080	EUPO040200	EURE040200
400	2200	500	EUTF040050	EUPO040220	EURE040220
400	2200	600	EUTF040060	EUPO040220	EURE040220
400	2200	800	EUTF040080	EUPO040220	EURE040220

Note: codes are referring to the version with roof and handle in RAL 5020. Available on demand in version Pantone 2717U; to order you have to add the suffix "A" to the code of the assembled cabinet (i.e.: ENUX041604PRA) or cabinet kit for roof + bottom and door (i.e.: EUTF040040A, EUPO040160A).

Suite

600			CODES FOR ASSEMBLED CABINET		
CABINET DIMENSIONS			CABINET WITH FRONT BLANK DOOR	CABINET WITH FRONT PLEXI DOOR	CABINET WITH FRONT BLANK DOOR
WIDTH	HEIGHT	DEPTH	+ REAR PANEL	+ REAR PANEL	+ REAR DOOR
600	1400	400	ENUX061404PR	ENUX061404PV	ENUX061404DP
600	1400	500	ENUX061405PR	ENUX061405PV	ENUX061405DP
600	1600	400	ENUX061604PR	ENUX061604PV	ENUX061604DP
600	1600	500	ENUX061605PR	ENUX061605PV	ENUX061605DP
600	1600	600	ENUX061606PR	ENUX061606PV	ENUX061606DP
600	1800	400	ENUX061804PR	ENUX061804PV	ENUX061804DP
600	1800	500	ENUX061805PR	ENUX061805PV	ENUX061805DP
600	1800	600	ENUX061806PR	ENUX061806PV	ENUX061806DP
600	1800	800	ENUX061808PR	ENUX061808PV	ENUX061808DP
600	2000	400	ENUX062004PR	ENUX062004PV	ENUX062004DP
600	2000	500	ENUX062005PR	ENUX062005PV	ENUX062005DP
600	2000	600	ENUX062006PR	ENUX062006PV	ENUX062006DP
600	2000	800	ENUX062008PR	ENUX062008PV	ENUX062008DP
600	2000	1000	ENUX062010PR	—	—
600	2200	500	ENUX062205PR	ENUX062205PV	ENUX062205DP
600	2200	600	ENUX062206PR	ENUX062206PV	ENUX062206DP
600	2200	800	ENUX062208PR	ENUX062208PV	ENUX062208DP

600			CODES FOR FLAT-PACK CABINET			
CABINET DIMENSIONS			ROOF + BOTTOM	BLANK DOOR	PLEXI DOOR	REAR PANEL
WIDTH	HEIGHT	DEPTH		+ FRONT UPRIGHTS	+ FRONT UPRIGHTS	+ REAR UPRIGHTS
600	1400	400	EUTF060040	EUP0060140	EUPV060140	EURE060140
600	1400	500	EUTF060050	EUP0060140	EUPV060140	EURE060140
600	1600	400	EUTF060040	EUP0060160	EUPV060160	EURE060160
600	1600	500	EUTF060050	EUP0060160	EUPV060160	EURE060160
600	1600	600	EUTF060060	EUP0060160	EUPV060160	EURE060160
600	1800	400	EUTF060040	EUP0060180	EUPV060180	EURE060180
600	1800	500	EUTF060050	EUP0060180	EUPV060180	EURE060180
600	1800	600	EUTF060060	EUP0060180	EUPV060180	EURE060180
600	1800	800	EUTF060080	EUP0060180	EUPV060180	EURE060180
600	2000	400	EUTF060040	EUP0060200	EUPV060200	EURE060200
600	2000	500	EUTF060050	EUP0060200	EUPV060200	EURE060200
600	2000	600	EUTF060060	EUP0060200	EUPV060200	EURE060200
600	2000	800	EUTF060080	EUP0060200	EUPV060200	EURE060200
600	2200	500	EUTF060050	EUP0060220	EUPV060220	EURE060220
600	2200	600	EUTF060060	EUP0060220	EUPV060220	EURE060220
600	2200	800	EUTF060080	EUP0060220	EUPV060220	EURE060220

Note: codes are referring to the version with roof and handle in RAL 5020. Available on demand in version Pantone 2717U; to order you have to add the suffix "A" to the code of the assembled cabinet (i.e.: ENUX061404PRA) or cabinet kit for roof + bottom and door (i.e.: EUTF060040A, EUP0060140A).

800			CODES FOR ASSEMBLED CABINET		
CABINET DIMENSIONS			CABINET WITH FRONT BLANK DOOR	CABINET WITH FRONT PLEXI DOOR	CABINET WITH FRONT BLANK DOOR
WIDTH	HEIGHT	DEPTH	+ REAR PANEL	+ REAR PANEL	+ REAR DOOR
800	1400	400	ENUX081404PR	ENUX081404PV	ENUX081404DP
800	1400	500	ENUX081405PR	ENUX081405PV	ENUX081405DP
800	1600	400	ENUX081604PR	ENUX081604PV	ENUX081604DP
800	1600	500	ENUX081605PR	ENUX081605PV	ENUX081605DP
800	1600	600	ENUX081606PR	ENUX081606PV	ENUX081606DP
800	1800	400	ENUX081804PR	ENUX081804PV	ENUX081804DP
800	1800	500	ENUX081805PR	ENUX081805PV	ENUX081805DP
800	1800	600	ENUX081806PR	ENUX081806PV	ENUX081806DP
800	1800	800	ENUX081808PR	ENUX081808PV	ENUX081808DP
800	2000	400	ENUX082004PR	ENUX082004PV	ENUX082004DP
800	2000	500	ENUX082005PR	ENUX082005PV	ENUX082005DP
800	2000	600	ENUX082006PR	ENUX082006PV	ENUX082006DP
800	2000	800	ENUX082008PR	ENUX082008PV	ENUX082008DP
800	2000	1000	ENUX082010PR	—	—
800	2200	500	ENUX082205PR	ENUX082205PV	ENUX082205DP
800	2200	600	ENUX082206PR	ENUX082206PV	ENUX082206DP
800	2200	800	ENUX082208PR	ENUX082208PV	ENUX082208DP

800			CODES FOR FLAT-PACK CABINET			
CABINET DIMENSIONS			ROOF + BOTTOM	BLANK DOOR	PLEXI DOOR	REAR PANEL
WIDTH	HEIGHT	DEPTH		+ FRONT UPRIGHTS	+ FRONT UPRIGHTS	+ REAR UPRIGHTS
800	1400	400	EUTF080040	EUP0080140	EUPV080140	EURE080140
800	1400	500	EUTF080050	EUP0080140	EUPV080140	EURE080140
800	1600	400	EUTF080040	EUP0080160	EUPV080160	EURE080160
800	1600	500	EUTF080050	EUP0080160	EUPV080160	EURE080160
800	1600	600	EUTF080060	EUP0080160	EUPV080160	EURE080160
800	1800	400	EUTF080040	EUP0080180	EUPV080180	EURE080180
800	1800	500	EUTF080050	EUP0080180	EUPV080180	EURE080180
800	1800	600	EUTF080060	EUP0080180	EUPV080180	EURE080180
800	1800	800	EUTF080080	EUP0080180	EUPV080180	EURE080180
800	2000	400	EUTF080040	EUP0080200	EUPV080200	EURE080200
800	2000	500	EUTF080050	EUP0080200	EUPV080200	EURE080200
800	2000	600	EUTF080060	EUP0080200	EUPV080200	EURE080200
800	2000	800	EUTF080080	EUP0080200	EUPV080200	EURE080200
800	2200	500	EUTF080050	EUP0080220	EUPV080220	EURE080220
800	2200	600	EUTF080060	EUP0080220	EUPV080220	EURE080220
800	2200	800	EUTF080080	EUP0080220	EUPV080220	EURE080220

Note: codes are referring to the version with roof and handle in RAL 5020. Available on demand in version Pantone 2717U; to order you have to add the suffix "A" to the code of the assembled cabinet (i.e.: ENUX081404PRA) or cabinet kit for roof + bottom and door (i.e.: EUTF080040A, EUP0080140A).

Suite

1000			CODES FOR ASSEMBLED CABINET		
CABINET DIMENSIONS			CABINET WITH FRONT BLANK DOOR	CABINET WITH FRONT PLEXI DOOR	CABINET WITH FRONT BLANK DOOR
WIDTH	HEIGHT	DEPTH	+ REAR PANEL	+ REAR PANEL	+ REAR DOOR
1000	1600	400	ENUX101604PR	ENUX101604PV	ENUX101604DP
1000	1600	500	ENUX101605PR	ENUX101605PV	ENUX101605DP
1000	1600	600	ENUX101606PR	ENUX101606PV	ENUX101606DP
1000	1800	400	ENUX101804PR	ENUX101804PV	ENUX101804DP
1000	1800	500	ENUX101805PR	ENUX101805PV	ENUX101805DP
1000	1800	600	ENUX101806PR	ENUX101806PV	ENUX101806DP
1000	1800	800	ENUX101808PR	ENUX101808PV	ENUX101808DP
1000	2000	400	ENUX102004PR	ENUX102004PV	ENUX102004DP
1000	2000	500	ENUX102005PR	ENUX102005PV	ENUX102005DP
1000	2000	600	ENUX102006PR	ENUX102006PV	ENUX102006DP
1000	2000	800	ENUX102008PR	ENUX102008PV	ENUX102008DP
1000	2200	500	ENUX102205PR	ENUX102205PV	ENUX102205DP
1000	2200	600	ENUX102206PR	ENUX102206PV	ENUX102206DP
1000	2200	800	ENUX102208PR	ENUX102208PV	ENUX102208DP

1000			CODES FOR FLAT-PACK CABINET				
CABINET DIMENSIONS			ROOF + BOTTOM	BLANK DOOR W=1000* + FRONT UPRIGHTS	*OR DOUBLE DOOR 500+500	PLEXI DOOR + FRONT UPRIGHTS	REAR PANEL + REAR UPRIGHTS
WIDTH	HEIGHT	DEPTH					
1000	1600	400	EUTF100040	EUPO100160	EUPO100160DP	EUPV100160	EURE100160
1000	1600	500	EUTF100050	EUPO100160	EUPO100160DP	EUPV100160	EURE100160
1000	1600	600	EUTF100060	EUPO100160	EUPO100160DP	EUPV100160	EURE100160
1000	1800	400	EUTF100040	EUPO100180	EUPO100180DP	EUPV100180	EURE100180
1000	1800	500	EUTF100050	EUPO100180	EUPO100180DP	EUPV100180	EURE100180
1000	1800	600	EUTF100060	EUPO100180	EUPO100180DP	EUPV100180	EURE100180
1000	1800	800	EUTF100080	EUPO100180	EUPO100180DP	EUPV100180	EURE100180
1000	2000	400	EUTF100040	EUPO100200	EUPO100200DP	EUPV100200	EURE100200
1000	2000	500	EUTF100050	EUPO100200	EUPO100200DP	EUPV100200	EURE100200
1000	2000	600	EUTF100060	EUPO100200	EUPO100200DP	EUPV100200	EURE100200
1000	2000	800	EUTF100080	EUPO100200	EUPO100200DP	EUPV100200	EURE100200
1000	2200	500	EUTF100050	EUPO100220	EUPO100220DP	EUPV100220	EURE100220
1000	2200	600	EUTF100060	EUPO100220	EUPO100220DP	EUPV100220	EURE100220
1000	2200	800	EUTF100080	EUPO100220	EUPO100220DP	EUPV100220	EURE100220

Note: codes are referring to the version with roof and handle in RAL 5020. Available on demand in version Pantone 2717U; to order you have to add the suffix "A" to the code of the assembled cabinet (i.e.: ENUX101604PRA) or cabinet kit for roof + bottom and door (i.e.: EUTF100040A, EUPO100160A).





Suite



E NUX accessories, see page 49

EUPA front inserted mounting plate, see page 52

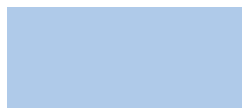
EUFI side panels, see page 63

EUZE modular plinth, see page 65

WTGS-001 eyebolts, see page 74



RAL 5020



Pantone 2717U

CHARACTERISTICS

The profile used for uprights and crosspieces is unique, manufactured from high-strength low-alloy sheet steel, closed with continuous fiber laser welding and free of sharp edges. The bottom is a single piece with box-type structure manufactured from press-bent fiber laser-MIG hybrid welded profiles of high-strength low-alloy sheet steel and an integrated central partition crosspiece. The frame corners are manufactured with orthogonal joints laser welded to vertical upright rails and horizontal rails for the roof and bottom. Only 8 high resistance screws are necessary to mount the structure, while two position pins allow the easy mounting of the two parts of the joint.

PAINT FINISH

ETA standard epoxy polyester powder coating.

- structure: RAL 7035 smooth finish
- doors and rear panel: RAL 7035 textured finish
- roof: RAL 5020 textured finish.

ASSEMBLED E NUX CABINET

- structure manufactured from high-strength low-alloy sheet steel
- door manufactured from 2.0 mm thick sheet steel with stiffening frame, complete with \varnothing 3 mm lever-operated double bar locking system
- rear panel manufactured from sheet steel with rounded folding
- removable roof manufactured from sheet steel
- bottom manufactured from high-strength low-alloy sheet steel with adjustable double cable entry, complete with seal supplied separately.

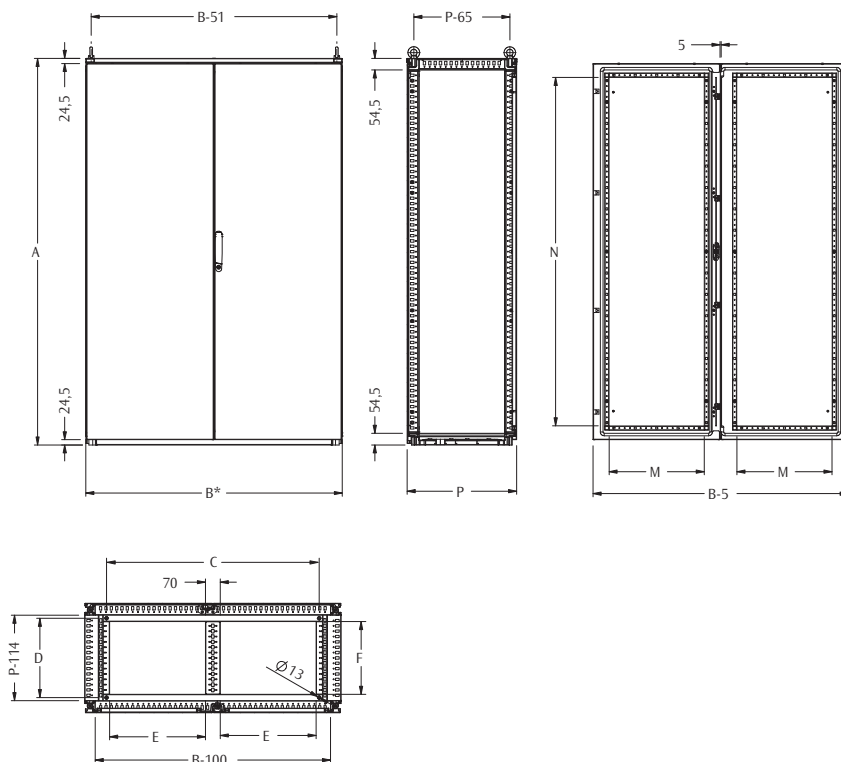
FLAT-PACK E NUX CABINET (ASSEMBLY WITH 8 SCREWS ONLY)

- composition to be assembled complying with customers requests
- panels and doors are supplied together with two vertical uprights complete with accessories.

PROTECTION RATING

- IP55 complying with IEC EN62208; EN60529
- NEMA 12 complying with UL508A; UL50
- protection degree guaranteed by the two-component polyurethane foam seal
- impact resistance IK10 complying with IEC EN62208; EN62202.

Note: for further information, see the Technical section page 307.



* With side panels mounted, add 12 mm

DIMENSIONAL SPECIFICATIONS

DIMENSIONS			CABINET DIMENSIONS			FLOOR FIXING		CABLE ENTRY		DOOR SPACE	
WIDTH	HEIGHT	DEPTH	B*	A	P	C	D	E	F	M	N
1200	1400	400	1200	1409	414	995	271	447	240	445	1230
1200	1400	500	1200	1409	514	995	371	447	340	445	1230
1200	1600	400	1200	1609	414	995	271	447	240	445	1430
1200	1600	500	1200	1609	514	995	371	447	340	445	1430
1200	1600	600	1200	1609	614	995	471	447	440	445	1430
1200	1800	400	1200	1809	414	995	271	447	240	445	1630
1200	1800	500	1200	1809	514	995	371	447	340	445	1630
1200	1800	600	1200	1809	614	995	471	447	440	445	1630
1200	1800	800	1200	1809	814	995	671	447	640	445	1630
1200	2000	400	1200	2009	414	995	271	447	240	445	1830
1200	2000	500	1200	2009	514	995	371	447	340	445	1830
1200	2000	600	1200	2009	614	995	471	447	440	445	1830
1200	2000	800	1200	2009	814	995	671	447	640	445	1830
1200	2000	1000	1200	2009	1014	995	871	447	840	445	1830
1200	2200	500	1200	2209	514	995	371	447	340	445	2030
1200	2200	600	1200	2209	614	995	471	447	440	445	2030
1200	2200	800	1200	2209	814	995	671	447	640	445	2030
1400	2000	400	1400	2009	414	1195	271	547	240	545	1830
1400	2000	500	1400	2009	514	1195	371	547	340	545	1830
1400	2000	600	1400	2009	614	1195	471	547	440	545	1830
1400	2000	800	1400	2009	814	1195	671	547	640	545	1830
1600	1400	400	1600	1409	414	1395	271	647	240	645	1230
1600	1400	500	1600	1409	514	1395	371	647	340	645	1230
1600	2000	400	1600	2009	414	1395	271	647	240	645	1830
1600	2000	500	1600	2009	514	1395	371	647	340	645	1830
1600	2000	600	1600	2009	614	1395	471	647	440	645	1830
1600	2000	800	1600	2009	814	1395	671	647	640	645	1830

Suite

1200			CODES FOR ASSEMBLED CABINET		
CABINET DIMENSIONS			CABINET WITH FRONT BLANK DOORS 600+600	CABINET WITH FRONT BLANK DOORS 600+600	
WIDTH	HEIGHT	DEPTH	+ REAR PANEL	+ REAR DOORS 600+600	
1200	1400	400	ENUX121404PR	ENUX121404DP	
1200	1400	500	ENUX121405PR	ENUX121405DP	
1200	1600	400	ENUX121604PR	ENUX121604DP	
1200	1600	500	ENUX121605PR	ENUX121605DP	
1200	1600	600	ENUX121606PR	ENUX121606DP	
1200	1800	400	ENUX121804PR	ENUX121804DP	
1200	1800	500	ENUX121805PR	ENUX121805DP	
1200	1800	600	ENUX121806PR	ENUX121806DP	
1200	1800	800	ENUX121808PR	ENUX121808DP	
1200	2000	400	ENUX122004PR	ENUX122004DP	
1200	2000	500	ENUX122005PR	ENUX122005DP	
1200	2000	600	ENUX122006PR	ENUX122006DP	
1200	2000	800	ENUX122008PR	ENUX122008DP	
1200	2000	1000	ENUX122010PR	---	
1200	2200	500	ENUX122205PR	ENUX122205DP	
1200	2200	600	ENUX122206PR	ENUX122206DP	
1200	2200	800	ENUX122208PR	ENUX122208DP	

1200			CODES FOR FLAT-PACK CABINET		
CABINET DIMENSIONS			ROOF + BOTTOM	DOUBLE BLANK DOORS 600+600	REAR PANEL
WIDTH	HEIGHT	DEPTH		+ FRONT UPRIGHTS	+ REAR UPRIGHTS
1200	1400	400	EUTF120040	EUP0120140	EURE120140
1200	1400	500	EUTF120050	EUP0120140	EURE120140
1200	1600	400	EUTF120040	EUP0120160	EURE120160
1200	1600	500	EUTF120050	EUP0120160	EURE120160
1200	1600	600	EUTF120060	EUP0120160	EURE120160
1200	1800	400	EUTF120040	EUP0120180	EURE120180
1200	1800	500	EUTF120050	EUP0120180	EURE120180
1200	1800	600	EUTF120060	EUP0120180	EURE120180
1200	1800	800	EUTF120080	EUP0120180	EURE120180
1200	2000	400	EUTF120040	EUP0120200	EURE120200
1200	2000	500	EUTF120050	EUP0120200	EURE120200
1200	2000	600	EUTF120060	EUP0120200	EURE120200
1200	2000	800	EUTF120080	EUP0120200	EURE120200
1200	2200	500	EUTF120050	EUP0120220	EURE120220
1200	2200	600	EUTF120060	EUP0120220	EURE120220
1200	2200	800	EUTF120080	EUP0120220	EURE120220

1400			CODES FOR ASSEMBLED CABINET		
CABINET DIMENSIONS			CABINET WITH FRONT BLANK DOORS 700+700	CABINET WITH FRONT BLANK DOORS 700+700	
WIDTH	HEIGHT	DEPTH	+ REAR PANEL	+ REAR DOORS 700+700	
1400	2000	400	ENUX142004PR	ENUX142004DP	
1400	2000	500	ENUX142005PR	ENUX142005DP	
1400	2000	600	ENUX142006PR	ENUX142006DP	
1400	2000	800	ENUX142008PR	ENUX142008DP	

1400			CODES FOR FLAT-PACK CABINET		
CABINET DIMENSIONS			ROOF + BOTTOM	DOUBLE BLANK DOORS 700+700	REAR PANEL
WIDTH	HEIGHT	DEPTH		+ FRONT UPRIGHTS	+ REAR UPRIGHTS
1400	2000	400	EUTF140040	EUP0140200	EURE140200
1400	2000	500	EUTF140050	EUP0140200	EURE140200
1400	2000	600	EUTF140060	EUP0140200	EURE140200
1400	2000	800	EUTF140080	EUP0140200	EURE140200

1600			CODES FOR ASSEMBLED CABINET		
CABINET DIMENSIONS			CABINET WITH FRONT BLANK DOORS 800+800	CABINET WITH FRONT BLANK DOORS 800+800	
WIDTH	HEIGHT	DEPTH	+ REAR PANEL	+ REAR DOORS 800+800	
1600	1400	400	ENUX161404PR	ENUX161404DP	
1600	1400	500	ENUX161405PR	ENUX161405DP	
1600	2000	400	ENUX162004PR	ENUX162004DP	
1600	2000	500	ENUX162005PR	ENUX162005DP	
1600	2000	600	ENUX162006PR	ENUX162006DP	
1600	2000	800	ENUX162008PR	ENUX162008DP	

1600			CODES FOR FLAT-PACK CABINET		
CABINET DIMENSIONS			ROOF + BOTTOM	DOUBLE BLANK DOORS 800+800	REAR PANEL
WIDTH	HEIGHT	DEPTH		+ FRONT UPRIGHTS	+ REAR UPRIGHTS
1600	1400	400	EUTF160040	EUP0160140	EURE160140
1600	1400	500	EUTF160050	EUP0160140	EURE160140
1600	2000	400	EUTF160040	EUP0160200	EURE160200
1600	2000	500	EUTF160050	EUP0160200	EURE160200
1600	2000	600	EUTF160060	EUP0160200	EURE160200
1600	2000	800	EUTF160080	EUP0160200	EURE160200

Note: codes are referring to the version with roof and handle in RAL 5020. Available on demand in version Pantone 2717U; to order you have to add the suffix "A" to the code of the assembled cabinet (i.e.: ENUX121404PRA) or cabinet kit for roof + bottom and door (i.e.: EUTF120040A, EUP0120140A).



Suite



E NUX accessories, see page 49

EUPA SIMPLEX front inserted mounting plate, see page 54

EUFI side panels, see page 63

EUZE modular plinth, see page 65

WTGS-001 eyebolts, see page 74



RAL 5020



Pantone 2717U

CHARACTERISTICS

The profile used for uprights and crosspieces is unique, manufactured from high-strength low-alloy sheet steel, closed with continuous fiber laser welding and free of sharp edges. The bottom is a single piece with box-type structure manufactured from press-bent fiber laser-MIG hybrid welded profiles of high-strength low-alloy sheet steel. The frame corners are manufactured with orthogonal joints laser welded to vertical upright rails and horizontal rails for the roof and bottom. Only 8 high resistance screws are necessary to mount the structure, while two position pins allow the easy mounting of the two parts of the joint.

PAINT FINISH

ETA standard epoxy polyester powder coating.

- structure: RAL 7035 smooth finish
- door and rear panel: RAL 7035 textured finish
- roof: RAL 5020 textured finish.

ASSEMBLED E NUX SIMPLEX CABINET

- structure manufactured from high-strength low-alloy sheet steel
- door manufactured from 1.5 mm thick sheet steel with stiffening frame, complete with ø 3mm lever-operated double bar locking system
- rear panel manufactured from sheet steel with rounded folding
- removable roof manufactured from sheet steel
- bottom manufactured from high-strength low-alloy sheet steel with adjustable cable entry (double cable entry for W=1000), complete with seal supplied separately.

FLAT-PACK E NUX SIMPLEX CABINET (ASSEMBLY WITH 8 SCREWS ONLY)

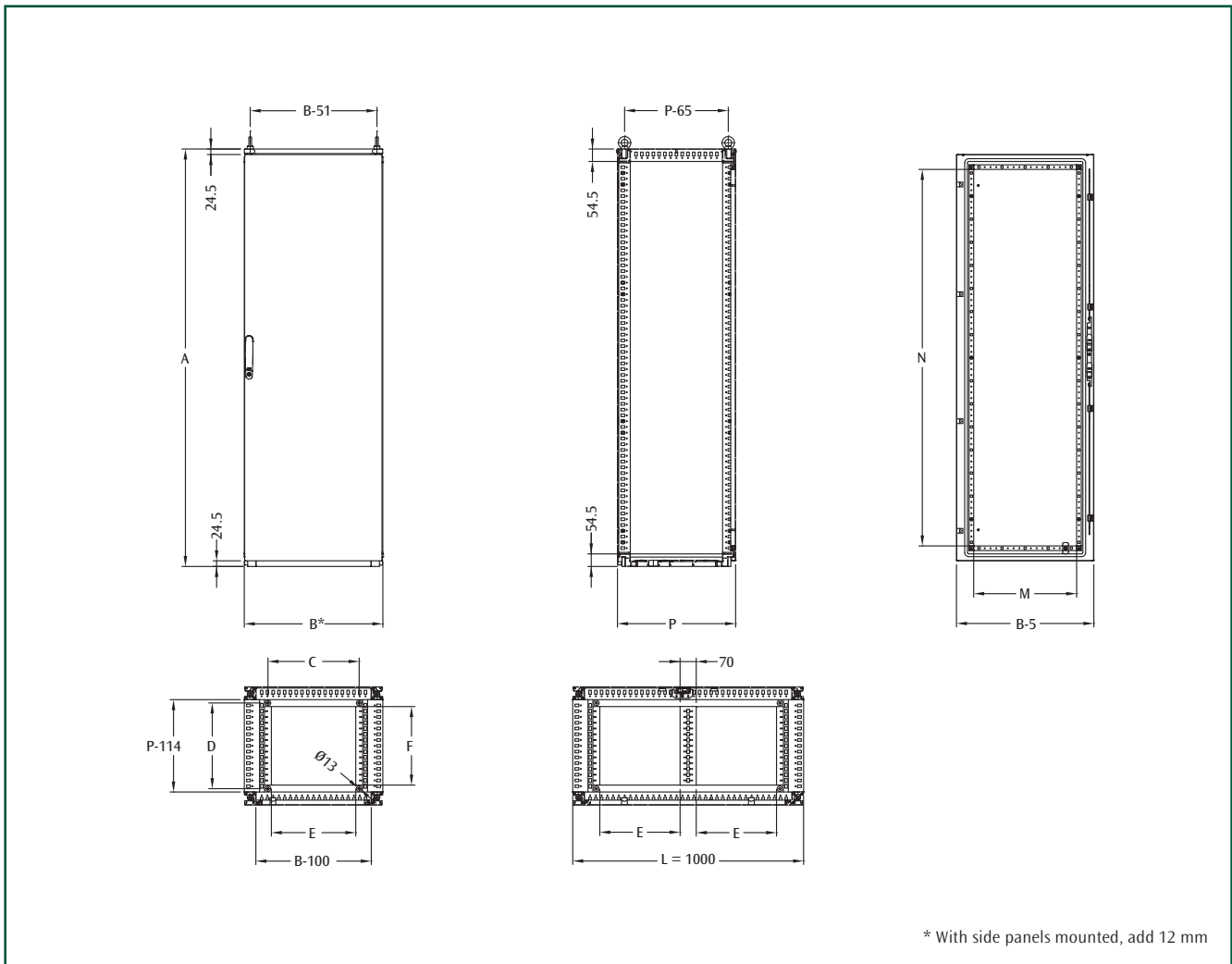
- composition to be assembled complying with customers requests
- panels and doors are supplied together with two vertical uprights complete with accessories.

PROTECTION RATING

- IP55 complying with IEC EN62208; EN60529
- NEMA 12 complying with UL508A; UL50
- protection degree guaranteed by the two-component polyurethane foam seal
- impact resistance IK10 complying with IEC EN62208; EN62202.

Note: for further information, see the Technical section page 307.

Note: manufactured upon request.



* With side panels mounted, add 12 mm

DIMENSIONAL SPECIFICATIONS

DIMENSIONS			CABINET DIMENSIONS			FLOOR FIXING		CABLE ENTRY		DOOR SPACE	
WIDTH	HEIGHT	DEPTH	B*	A	P	C	D	E	F	M	N
600	1800	400	600	1809	414	395	271	365	240	445	1630
600	1800	500	600	1809	514	395	371	365	340	445	1630
600	1800	600	600	1809	614	395	471	365	440	445	1630
600	1800	800	600	1809	814	395	671	365	640	445	1630
600	2000	400	600	2009	414	395	271	365	240	445	1830
600	2000	500	600	2009	514	395	371	365	340	445	1830
600	2000	600	600	2009	614	395	471	365	440	445	1830
600	2000	800	600	2009	814	395	671	365	640	445	1830
800	1800	400	800	1809	414	595	271	565	240	645	1630
800	1800	500	800	1809	514	595	371	565	340	645	1630
800	1800	600	800	1809	614	595	471	565	440	645	1630
800	1800	800	800	1809	814	595	671	565	640	645	1630
800	2000	400	800	2009	414	595	271	565	240	645	1830
800	2000	500	800	2009	514	595	371	565	340	645	1830
800	2000	600	800	2009	614	595	471	565	440	645	1830
800	2000	800	800	2009	814	595	671	565	640	645	1830
1000	1800	400	1000	1809	414	795	271	347	240	845	1630
1000	1800	500	1000	1809	514	795	371	347	340	845	1630
1000	1800	600	1000	1809	614	795	471	347	440	845	1630
1000	1800	800	1000	1809	814	795	671	347	640	845	1630
1000	2000	400	1000	2009	414	795	271	347	240	845	1830
1000	2000	500	1000	2009	514	795	371	347	340	845	1830
1000	2000	600	1000	2009	614	795	471	347	440	845	1830
1000	2000	800	1000	2009	814	795	671	347	640	845	1830

Suite

600			CODES FOR ASSEMBLED CABINET		
CABINET DIMENSIONS			CABINET WITH FRONT BLANK DOOR	CABINET WITH FRONT BLANK DOOR	
WIDTH	HEIGHT	DEPTH	+ REAR PANEL	+ REAR DOOR	
600	1800	400	ENUX061804PRL	ENUX061804DPL	
600	1800	500	ENUX061805PRL	ENUX061805DPL	
600	1800	600	ENUX061806PRL	ENUX061806DPL	
600	1800	800	ENUX061808PRL	ENUX061808DPL	
600	2000	400	ENUX062004PRL	ENUX062004DPL	
600	2000	500	ENUX062005PRL	ENUX062005DPL	
600	2000	600	ENUX062006PRL	ENUX062006DPL	
600	2000	800	ENUX062008PRL	ENUX062008DPL	

600			CODES FOR FLAT-PACK CABINET		
CABINET DIMENSIONS			ROOF + BOTTOM	BLANK DOOR	REAR PANEL
WIDTH	HEIGHT	DEPTH		+ FRONT UPRIGHTS	+ REAR UPRIGHTS
600	1800	400	EUTF060040	EUPO060180L	EURE060180
600	1800	500	EUTF060050	EUPO060180L	EURE060180
600	1800	600	EUTF060060	EUPO060180L	EURE060180
600	1800	800	EUTF060080	EUPO060180L	EURE060180
600	2000	400	EUTF060040	EUPO060200L	EURE060200
600	2000	500	EUTF060050	EUPO060200L	EURE060200
600	2000	600	EUTF060060	EUPO060200L	EURE060200
600	2000	800	EUTF060080	EUPO060200L	EURE060200

800			CODES FOR ASSEMBLED CABINET		
CABINET DIMENSIONS			CABINET WITH FRONT BLANK DOOR	CABINET WITH FRONT BLANK DOOR	
WIDTH	HEIGHT	DEPTH	+ REAR PANEL	+ REAR DOOR	
800	1800	400	ENUX081804PRL	ENUX081804DPL	
800	1800	500	ENUX081805PRL	ENUX081805DPL	
800	1800	600	ENUX081806PRL	ENUX081806DPL	
800	1800	800	ENUX081808PRL	ENUX081808DPL	
800	2000	400	ENUX082004PRL	ENUX082004DPL	
800	2000	500	ENUX082005PRL	ENUX082005DPL	
800	2000	600	ENUX082006PRL	ENUX082006DPL	
800	2000	800	ENUX082008PRL	ENUX082008DPL	

800			CODES FOR FLAT-PACK CABINET		
CABINET DIMENSIONS			ROOF + BOTTOM	BLANK DOOR	REAR PANEL
WIDTH	HEIGHT	DEPTH		+ FRONT UPRIGHTS	+ REAR UPRIGHTS
800	1800	400	EUTF080040	EUPO080180L	EURE080180
800	1800	500	EUTF080050	EUPO080180L	EURE080180
800	1800	600	EUTF080060	EUPO080180L	EURE080180
800	1800	800	EUTF080080	EUPO080180L	EURE080180
800	2000	400	EUTF080040	EUPO080200L	EURE080200
800	2000	500	EUTF080050	EUPO080200L	EURE080200
800	2000	600	EUTF080060	EUPO080200L	EURE080200
800	2000	800	EUTF080080	EUPO080200L	EURE080200

1000			CODES FOR ASSEMBLED CABINET		
CABINET DIMENSIONS			CABINET WITH FRONT BLANK DOOR	CABINET WITH FRONT BLANK DOOR	
WIDTH	HEIGHT	DEPTH	+ REAR PANEL	+ REAR DOOR	
1000	1800	400	ENUX101804PRL	ENUX101804DPL	
1000	1800	500	ENUX101805PRL	ENUX101805DPL	
1000	1800	600	ENUX101806PRL	ENUX101806DPL	
1000	1800	800	ENUX101808PRL	ENUX101808DPL	
1000	2000	400	ENUX102004PRL	ENUX102004DPL	
1000	2000	500	ENUX102005PRL	ENUX102005DPL	
1000	2000	600	ENUX102006PRL	ENUX102006DPL	
1000	2000	800	ENUX102008PRL	ENUX102008DPL	

1000			CODES FOR FLAT-PACK CABINET		
CABINET DIMENSIONS			ROOF + BOTTOM	BLANK DOOR	REAR PANEL
WIDTH	HEIGHT	DEPTH		+ FRONT UPRIGHTS	+ REAR UPRIGHTS
1000	1800	400	EUTF100040	EUPO100180L	EURE100180
1000	1800	500	EUTF100050	EUPO100180L	EURE100180
1000	1800	600	EUTF100060	EUPO100180L	EURE100180
1000	1800	800	EUTF100080	EUPO100180L	EURE100180
1000	2000	400	EUTF100040	EUPO100200L	EURE100200
1000	2000	500	EUTF100050	EUPO100200L	EURE100200
1000	2000	600	EUTF100060	EUPO100200L	EURE100200
1000	2000	800	EUTF100080	EUPO100200L	EURE100200

Note: codes are referring to the version with roof and handle in RAL 5020. Available on demand in version Pantone 2717U; to order you have to add the suffix "A" to the code of the assembled cabinet (i.e.: ENUX061804PRLA) or cabinet kit for roof + bottom and door (i.e.: EUTF060040A, EUPO060180LA).



Suite



E NUX accessories, see page 49

EUPA SIMPLEX front inserted mounting plate, see page 54

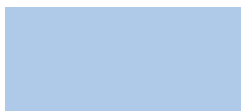
EUFI side panels, see page 63

EUZE modular plinth, see page 65

WTGS-001 eyebolts, see page 74



RAL 5020



Pantone 2717U

CHARACTERISTICS

The profile used for uprights and crosspieces is unique, manufactured from high-strength low-alloy sheet steel, closed with continuous fiber laser welding and free of sharp edges. The bottom is a single piece with box-type structure manufactured from press-bent fiber laser-MIG hybrid welded profiles of high-strength low-alloy sheet steel and an integrated central partition crosspiece. The frame corners are manufactured with orthogonal joints laser welded to vertical upright rails and horizontal rails for the roof and bottom. Only 8 high resistance screws are necessary to mount the structure, while two position pins allow the easy mounting of the two parts of the joint.

PAINT FINISH

ETA standard epoxy polyester powder coating.

- structure: RAL 7035 smooth finish
- doors and rear panel: RAL 7035 textured finish
- roof: RAL 5020 textured finish.

ASSEMBLED E NUX SIMPLEX CABINET

- structure manufactured from high-strength low-alloy sheet steel
- door manufactured from 1.5 mm thick sheet steel with stiffening frame, complete with ø 3mm lever-operated double bar locking system
- rear panel manufactured from sheet steel with rounded folding
- removable roof manufactured from sheet steel
- bottom manufactured from high-strength low-alloy sheet steel with double adjustable cable entry, complete with seal supplied separately.

FLAT-PACK E NUX SIMPLEX CABINET (ASSEMBLY WITH 8 SCREWS ONLY)

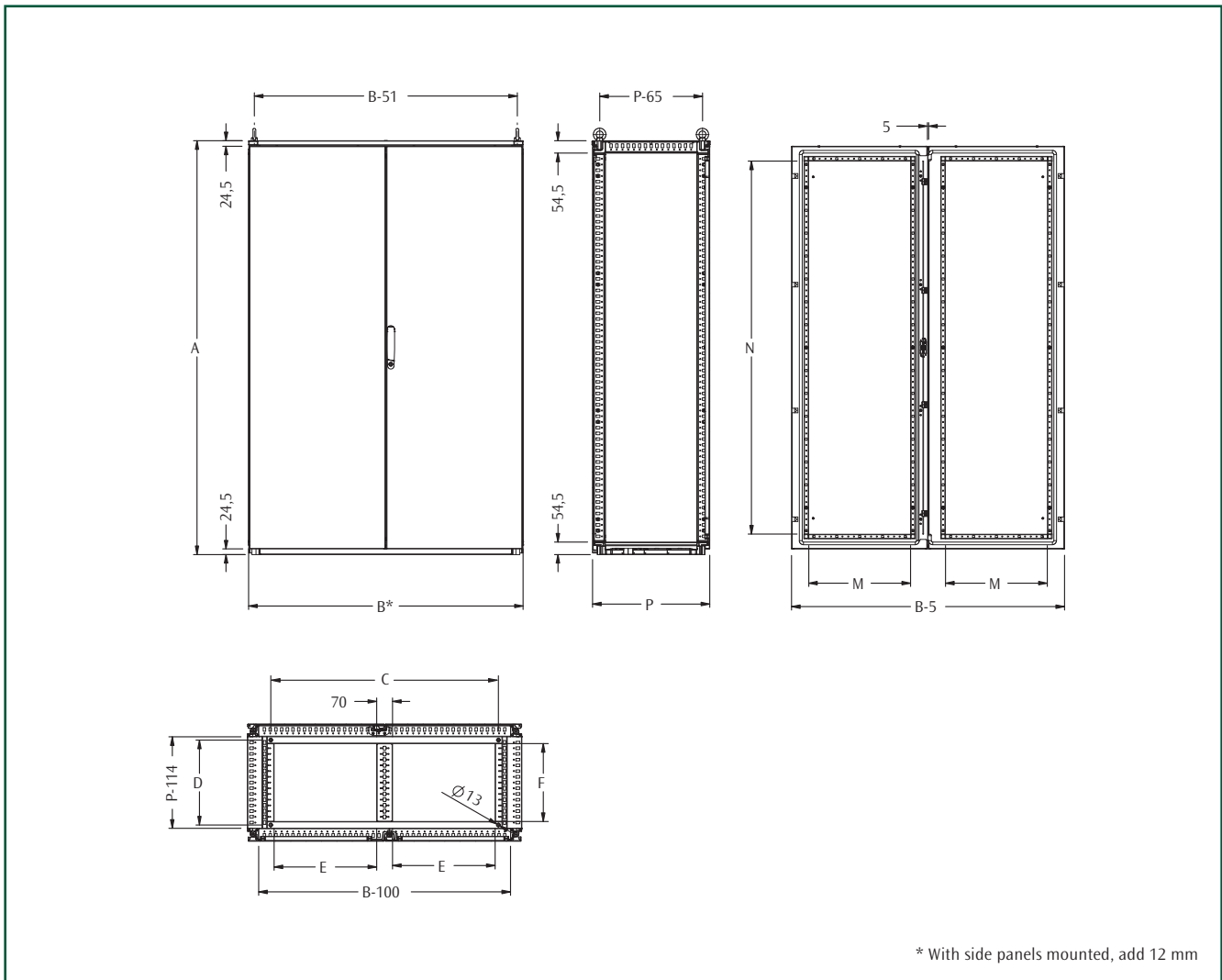
- composition to be assembled complying with customers requests
- panels and doors are supplied together with two vertical uprights complete with accessories.

PROTECTION RATING

- IP55 complying with IEC EN62208; EN60529
- NEMA 12 complying with UL508A; UL50
- protection degree guaranteed by the two-component polyurethane foam seal
- impact resistance IK10 complying with IEC EN62208; EN62202.

Note: for further information, see the Technical section page 307.

Note: manufactured upon request.



DIMENSIONAL SPECIFICATIONS

DIMENSIONS			CABINET DIMENSIONS			FLOOR FIXING		CABLE ENTRY		DOOR SPACE	
WIDTH	HEIGHT	DEPTH	B*	A	P	C	D	E	F	M	N
1200	1800	400	1200	1809	414	995	271	447	240	445	1630
1200	1800	500	1200	1809	514	995	371	447	340	445	1630
1200	1800	600	1200	1809	614	995	471	447	440	445	1630
1200	1800	800	1200	1809	814	995	671	447	640	445	1630
1200	2000	400	1200	2009	414	995	271	447	240	445	1830
1200	2000	500	1200	2009	514	995	371	447	340	445	1830
1200	2000	600	1200	2009	614	995	471	447	440	445	1830
1200	2000	800	1200	2009	814	995	671	447	640	445	1830

Suite

1200			CODES FOR ASSEMBLED CABINET		
CABINET DIMENSIONS			CABINET WITH FRONT BLANK DOORS 600+600 + REAR PANEL	CABINET WITH FRONT BLANK DOORS 600+600 + REAR DOORS 600+600	
WIDTH	HEIGHT	DEPTH			
1200	1800	400	ENUX121804PRL		ENUX121804DPL
1200	1800	500	ENUX121805PRL		ENUX121805DPL
1200	1800	600	ENUX121806PRL		ENUX121806DPL
1200	1800	800	ENUX121808PRL		ENUX121808DPL
1200	2000	400	ENUX122004PRL		ENUX122004DPL
1200	2000	500	ENUX122005PRL		ENUX122005DPL
1200	2000	600	ENUX122006PRL		ENUX122006DPL
1200	2000	800	ENUX122008PRL		ENUX122008DPL

1200			CODES FOR FLAT-PACK CABINET		
CABINET DIMENSIONS			ROOF + BOTTOM	DOUBLE BLANK DOORS 600+600 + FRONT UPRIGHTS	REAR PANEL + REAR UPRIGHTS
WIDTH	HEIGHT	DEPTH			
1200	1800	400	EUTF120040	EUP0120180L	EURE120180
1200	1800	500	EUTF120050	EUP0120180L	EURE120180
1200	1800	600	EUTF120060	EUP0120180L	EURE120180
1200	1800	800	EUTF120080	EUP0120180L	EURE120180
1200	2000	400	EUTF120040	EUP0120200L	EURE120200
1200	2000	500	EUTF120050	EUP0120200L	EURE120200
1200	2000	600	EUTF120060	EUP0120200L	EURE120200
1200	2000	800	EUTF120080	EUP0120200L	EURE120200

Note: codes are referring to the version with roof and handle in RAL 5020. Available on demand in version Pantone 2717U; to order you have to add the suffix "A" to the code of the assembled cabinet (i.e.: ENUX121804PRLA) or cabinet kit for roof + bottom and door (i.e.: EUTF120040A, EUP0120180LA).

CABLE ENTRY MODULE SIDE OPENING EURP

To be positioned at the end of a cabinet suite for protecting cable and connector systems. Lateral access.

CHARACTERISTICS/SUPPLY

- structure manufactured from 1.5 mm thick press bent and welded sheet steel
- door manufactured from 2.0 mm thick sheet steel with 110° door opening
- sealing gasket.

PAINT FINISH

ETA standard epoxy polyester powder coating.
Colour: RAL 7035 textured finish.

PROTECTION RATING

IP55.



CABLE ENTRY MOD. SIDE OP. W=200

EURP CODE	MODULE DIMENSIONS		
	L	A	P
EURP021805	200	1809	514
EURP022006	200	2009	614

Note: please order the plinth in accordance with the total width of standard cabinet + cable entry module. I.e.: E NUX W 800 x D 500 + cable entry module W 200 x D 500 + plinth H=100 = EUZE-A100 + EUZE-T1000 + EUZE-T0500 (for plinth dimensions see page 65).

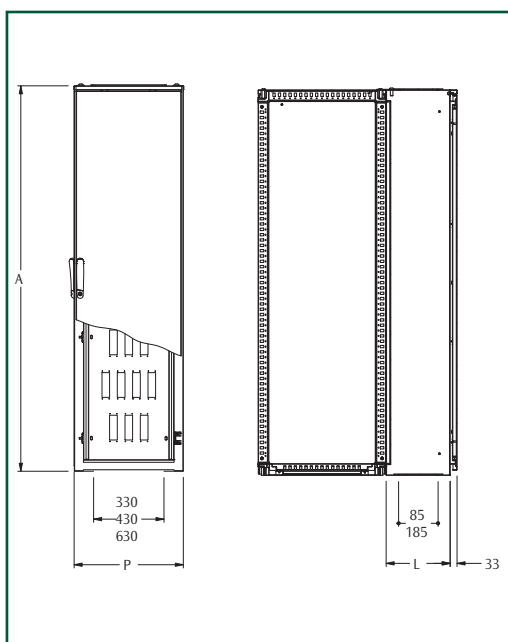
Note: to be ordered separately: joining kit EUKU-007 for EURP with E NUX.

CABLE ENTRY MOD. SIDE OP. W=300

EURP CODE	MODULE DIMENSIONS		
	L	A	P
EURP031805	300	1809	514
EURP031806	300	1809	614
EURP031808	300	1809	814
EURP032005	300	2009	514
EURP032006	300	2009	614
EURP032008	300	2009	814

Note: for E NUX plinth see page 65 (I.e. EUZE-A100 + EUZE-T0300 + EUZE-T0500).

Note: codes are referring to the version with roof and handle in RAL 5020. Available on demand in version Pantone 2717U; to order you have to add the suffix "A" to the code (I.e.: EURP031805A).



INNER BLANK MOUNTING PLATE*

EUD3 CODE	MODULE DIMENSIONS	
	A	P
EUD3-050180	1809	514
EUD3-060180	1809	614
EUD3-080180	1809	814
EUD3-050200	2009	514
EUD3-060200	2009	614
EUD3-080200	2009	814

* Supply includes gasket for IP55.

INNER PUNCHED MOUNTING PLATE*

EUD4 CODE	MODULE DIMENSIONS		NO. OF HOLES
	A	P	
EUD4-050180	1809	514	28
EUD4-060180	1809	614	44
EUD4-080180	1809	814	60
EUD4-050200	2009	514	32
EUD4-060200	2009	614	50
EUD4-080200	2009	814	68

* Supply includes gasket for IP55.



CABLE ENTRY MODULE FRONT OPENING E NUX

To be used as an end or intermediate element in a suite of cabinets. Front and/or rear access.

CHARACTERISTICS

The profile used for uprights and crosspieces is unique, manufactured from high-strength low-alloy sheet steel, closed with continuous fiber laser welding and free of sharp edges. The frame corners are manufactured with orthogonal joints laser welded to vertical upright rails and horizontal rails for roof and bottom. Only 8 high resistance screws are necessary to mount the structure, while two position pins allow the easy mounting of the two parts of the joint.

PAINT FINISH

ETA standard epoxy polyester powder coating.

- structure: RAL 7035 smooth finish
- doors and rear panel: RAL 7035 textured finish
- roof: RAL 5020 textured finish.

ASSEMBLED E NUX MODULE

- structure manufactured from high-strength low-alloy sheet steel
- door manufactured from sheet steel with stiffening frame, complete with \varnothing 3mm lever-operated double bar locking system
- rear panel manufactured from sheet steel with rounded folding
- removable roof manufactured from sheet steel
- bottom manufactured from sheet steel.

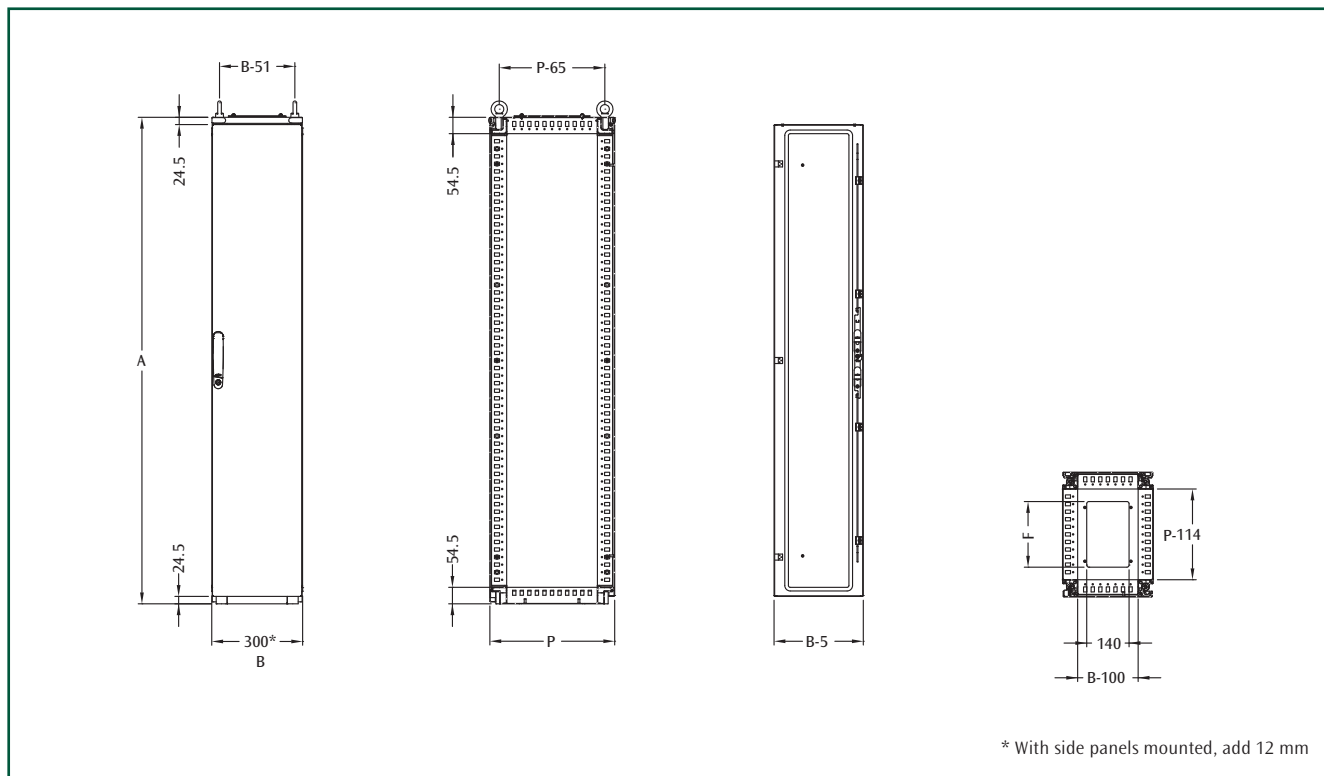
FLAT-PACK E NUX MODULE (ASSEMBLY WITH 8 SCREWS ONLY)

- composition to be assembled complying with customers requests
- panels and doors are supplied together with two vertical uprights complete with accessories.

PROTECTION RATING

- IP55 complying with IEC EN62208; EN60529
- protection degree guaranteed by the two-component polyurethane foam seal.

Note: codes are referring to the version with roof and handle in RAL 5020. Available on demand in version Pantone 2717U; to order you have to add the suffix "A" to the code of the assembled cabinet (i.e.: ENUX031604A) or cabinet kit for roof + bottom and door (i.e.: EUTF030040A, EUP0030160LA).



* With side panels mounted, add 12 mm

DIMENSIONAL SPECIFICATIONS

WIDTH	DIMENSIONS			CABLE ENTRY MODULE DIMENSIONS		CABLE ENTRY
	HEIGHT	DEPTH		A	P	F
300	1600	400		1609	414	217
300	1600	500		1609	514	317
300	1600	600		1609	614	417
300	1800	400		1809	414	217
300	1800	500		1809	514	317
300	1800	600		1809	614	417
300	1800	800		1809	814	617
300	2000	400		2009	414	217
300	2000	500		2009	514	317
300	2000	600		2009	614	417
300	2000	800		2009	814	617
300	2200	500		2209	514	317
300	2200	600		2209	614	417
300	2200	800		2209	814	617

ASSEMBLED CABLE ENTRY MODULE

E NUX CODE	DIMENSIONS		
	WIDTH	HEIGHT	DEPTH
ENUX031604	300	1600	400
ENUX031605	300	1600	500
ENUX031606	300	1600	600
ENUX031804	300	1800	400
ENUX031805	300	1800	500
ENUX031806	300	1800	600
ENUX031808	300	1800	800
ENUX032004	300	2000	400
ENUX032005	300	2000	500
ENUX032006	300	2000	600
ENUX032008	300	2000	800
ENUX032205	300	2200	500
ENUX032206	300	2200	600
ENUX032208	300	2200	800

FLAT-PACK CABLE ENTRY MODULE

DIMENSIONS			ROOF	BLANK	REAR
WIDTH	HEIGHT	DEPTH	+ BOTTOM	DOOR	PANEL
300	1600	400	EUTF030040	EUPO030160	EURE030160
300	1600	500	EUTF030050	EUPO030160	EURE030160
300	1600	600	EUTF030060	EUPO030160	EURE030160
300	1800	400	EUTF030040	EUPO030180	EURE030180
300	1800	500	EUTF030050	EUPO030180	EURE030180
300	1800	600	EUTF030060	EUPO030180	EURE030180
300	1800	800	EUTF030080	EUPO030180	EURE030180
300	2000	400	EUTF030040	EUPO030200	EURE030200
300	2000	500	EUTF030050	EUPO030200	EURE030200
300	2000	600	EUTF030060	EUPO030200	EURE030200
300	2000	800	EUTF030080	EUPO030200	EURE030200
300	2200	500	EUTF030050	EUPO030220	EURE030220
300	2200	600	EUTF030060	EUPO030220	EURE030220
300	2200	800	EUTF030080	EUPO030220	EURE030220

Suite



FRONT INSERTED MOUNTING PLATE EUPA

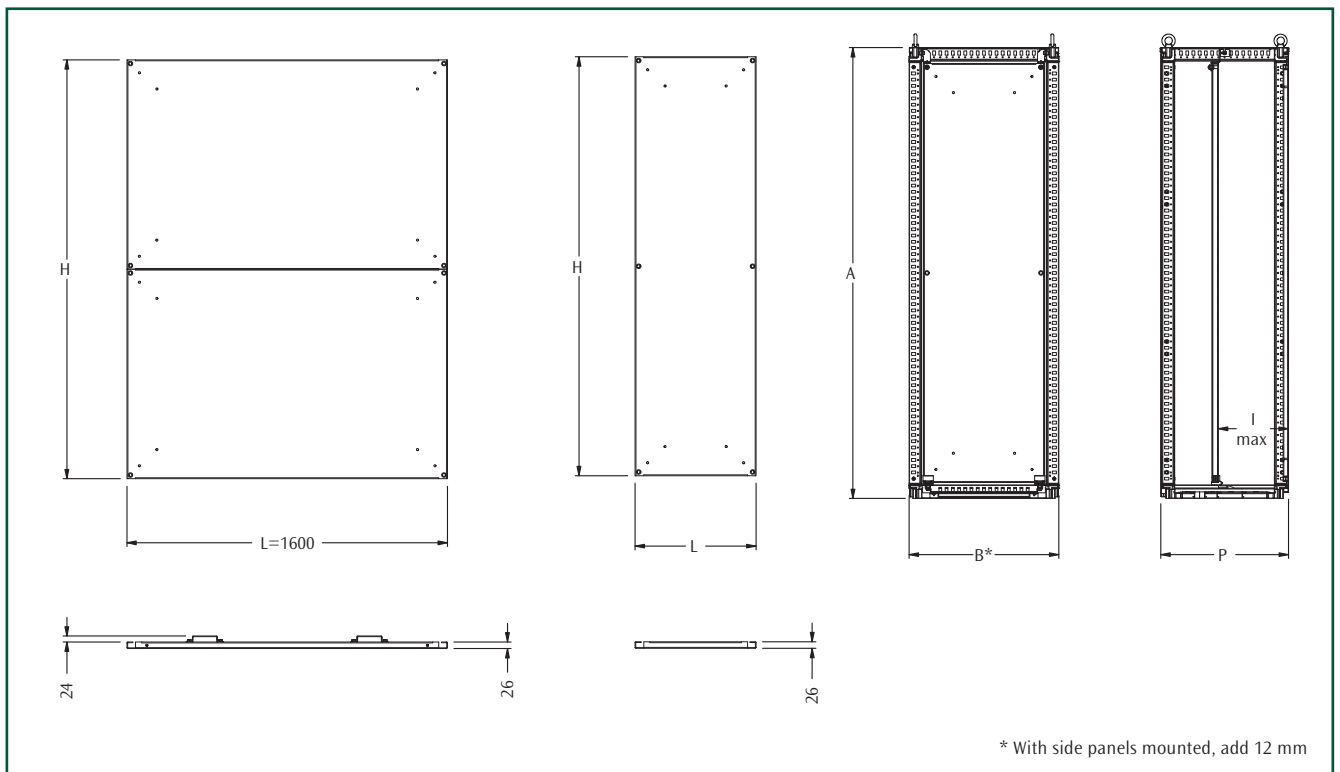
Manufactured from sendzimir sheet steel:

- thickness 2.5 mm for $L < 1000$
- thickness 3.0 mm for $L \geq 1000$.

Note: mounting plate $L > 1400$ mm manufactured in two parts with horizontal union and stiffening omega-rings.



Note: to be ordered separately: WTKB-002 mounting accessories for mounting plate.



MOUNTING PLATE WIDTH 400

EUPA CODE	CABINET DIMENSIONS			MOUNTING PLATE DIM.		
	B*	A	P	L	H	I (MAX)
EUPA-040160	400	1609	414	285	1480	350
EUPA-040160	400	1609	514	285	1480	450
EUPA-040160	400	1609	614	285	1480	550
EUPA-040180	400	1809	414	285	1680	350
EUPA-040180	400	1809	514	285	1680	450
EUPA-040180	400	1809	614	285	1680	550
EUPA-040180	400	1809	814	285	1680	750
EUPA-040200	400	2009	414	285	1880	350
EUPA-040200	400	2009	514	285	1880	450
EUPA-040200	400	2009	614	285	1880	550
EUPA-040200	400	2009	814	285	1880	750
EUPA-040220	400	2209	514	285	2080	450
EUPA-040220	400	2209	614	285	2080	450
EUPA-040220	400	2209	814	285	2080	450

MOUNTING PLATE WIDTH 1000

EUPA CODE	CABINET DIMENSIONS			MOUNTING PLATE DIM.		
	B*	A	P	L	H	I (MAX)
EUPA-100160	1000	1609	414	885	1480	350
EUPA-100160	1000	1609	514	885	1480	450
EUPA-100160	1000	1609	614	885	1480	550
EUPA-100180	1000	1809	414	885	1680	350
EUPA-100180	1000	1809	514	885	1680	450
EUPA-100180	1000	1809	614	885	1680	550
EUPA-100180	1000	1809	814	885	1680	750
EUPA-100200	1000	2009	414	885	1880	350
EUPA-100200	1000	2009	514	885	1880	450
EUPA-100200	1000	2009	614	885	1880	550
EUPA-100200	1000	2009	814	885	1880	750
EUPA-100220	1000	2209	514	885	2080	450
EUPA-100220	1000	2209	614	885	2080	550
EUPA-100220	1000	2209	814	885	2080	750

MOUNTING PLATE WIDTH 600

EUPA CODE	CABINET DIMENSIONS			MOUNTING PLATE DIM.		
	B*	A	P	L	H	I (MAX)
EUPA-060140	600	1409	414	485	1280	350
EUPA-060140	600	1409	514	485	1280	450
EUPA-060160	600	1609	414	485	1480	350
EUPA-060160	600	1609	514	485	1480	450
EUPA-060160	600	1609	614	485	1480	550
EUPA-060160	600	1609	814	485	1480	750
EUPA-060180	600	1809	414	485	1680	350
EUPA-060180	600	1809	514	485	1680	450
EUPA-060180	600	1809	614	485	1680	550
EUPA-060180	600	1809	814	485	1680	750
EUPA-060200	600	2009	414	485	1880	350
EUPA-060200	600	2009	514	485	1880	450
EUPA-060200	600	2009	614	485	1880	550
EUPA-060200	600	2009	814	485	1880	750
EUPA-060200	600	2009	1014	485	1880	950
EUPA-060220	600	2209	514	485	2080	450
EUPA-060220	600	2209	614	485	2080	550
EUPA-060220	600	2209	814	485	2080	750

MOUNTING PLATE WIDTH 1200

EUPA CODE	CABINET DIMENSIONS			MOUNTING PLATE DIM.		
	B*	A	P	L	H	I (MAX)
EUPA-120140	1200	1409	414	1085	1280	350
EUPA-120140	1200	1409	514	1085	1280	450
EUPA-120160	1200	1609	414	1085	1480	350
EUPA-120160	1200	1609	514	1085	1480	450
EUPA-120160	1200	1609	614	1085	1480	550
EUPA-120160	1200	1609	814	1085	1480	750
EUPA-120180	1200	1809	414	1085	1680	350
EUPA-120180	1200	1809	514	1085	1680	450
EUPA-120180	1200	1809	614	1085	1680	550
EUPA-120180	1200	1809	814	1085	1680	750
EUPA-120200	1200	2009	414	1085	1880	350
EUPA-120200	1200	2009	514	1085	1880	450
EUPA-120200	1200	2009	614	1085	1880	550
EUPA-120200	1200	2009	814	1085	1880	750
EUPA-120200	1200	2009	1014	1085	1880	950
EUPA-120220	1200	2209	514	1085	2080	450
EUPA-120220	1200	2209	614	1085	2080	550
EUPA-120220	1200	2209	814	1085	2080	750

Note: optional stiffening omega-rings WTOM-001200 to be ordered separately.

MOUNTING PLATE WIDTH 800

EUPA CODE	CABINET DIMENSIONS			MOUNTING PLATE DIM.		
	B*	A	P	L	H	I (MAX)
EUPA-080140	800	1409	414	685	1280	350
EUPA-080140	800	1409	514	685	1280	450
EUPA-080160	800	1609	414	685	1480	350
EUPA-080160	800	1609	514	685	1480	450
EUPA-080160	800	1609	614	685	1480	550
EUPA-080180	800	1809	414	685	1680	350
EUPA-080180	800	1809	514	685	1680	450
EUPA-080180	800	1809	614	685	1680	550
EUPA-080180	800	1809	814	685	1680	750
EUPA-080200	800	2009	414	685	1880	350
EUPA-080200	800	2009	514	685	1880	450
EUPA-080200	800	2009	614	685	1880	550
EUPA-080200	800	2009	814	685	1880	750
EUPA-080200	800	2009	1014	685	1880	950
EUPA-080220	800	2209	514	685	2080	450
EUPA-080220	800	2209	614	685	2080	550
EUPA-080220	800	2209	814	685	2080	750

MOUNTING PLATE WIDTH 1400

EUPA CODE	CABINET DIMENSIONS			MOUNTING PLATE DIM.		
	B*	A	P	L	H	I (MAX)
EUPA-140200	1400	2009	414	1285	1880	350
EUPA-140200	1400	2009	514	1285	1880	450
EUPA-140200	1400	2009	614	1285	1880	550
EUPA-140200	1400	2009	814	1285	1880	750

Note: optional stiffening omega-rings WTOM-001400 to be ordered separately.

MOUNTING PLATE WIDTH 1600

EUPA CODE	CABINET DIMENSIONS			MOUNTING PLATE DIM.		
	B*	A	P	L	H	I (MAX)
EUPA-160140	1600	1409	414	1485	1280	350
EUPA-160140	1600	1409	514	1485	1280	450
EUPA-160200	1600	2009	414	1485	1880	350
EUPA-160200	1600	2009	514	1485	1880	450
EUPA-160200	1600	2009	614	1485	1880	550
EUPA-160200	1600	2009	814	1485	1880	750

Suite



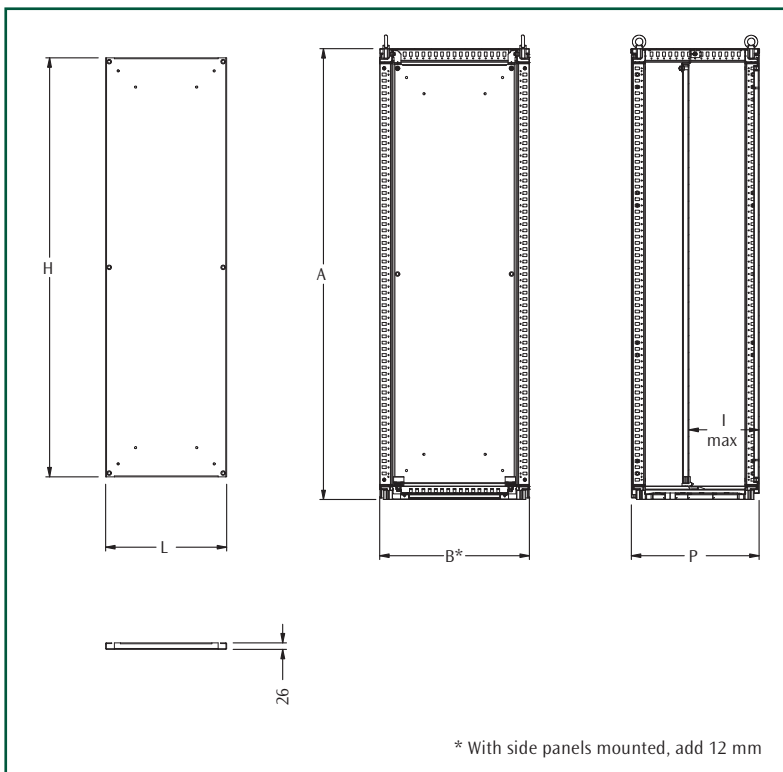
FRONT INSERTED MOUNTING PLATE EUPA SIMPLEX

Manufactured from 2.0 mm thick sendzimir sheet steel.

Note: optional stiffening omega-rings WTOM-001200 to be ordered separately.



Note: to be ordered separately: WTKB-002 mounting accessories for mounting plate.



MOUNTING PLATE WIDTH 600

EUPA CODE	CABINET DIMENSIONS			MOUNTING PLATE DIM.		
	B*	A	P	L	H	I (MAX)
EUPA-060180L	600	1809	414	485	1680	350
EUPA-060180L	600	1809	514	485	1680	450
EUPA-060180L	600	1809	614	485	1680	550
EUPA-060180L	600	1809	814	485	1680	750
EUPA-060200L	600	2009	414	485	1880	350
EUPA-060200L	600	2009	514	485	1880	450
EUPA-060200L	600	2009	614	485	1880	550
EUPA-060200L	600	2009	814	485	1880	750

MOUNTING PLATE WIDTH 1000

EUPA CODE	CABINET DIMENSIONS			MOUNTING PLATE DIM.		
	B*	A	P	L	H	I (MAX)
EUPA-100180L	1000	1809	414	885	1680	350
EUPA-100180L	1000	1809	514	885	1680	450
EUPA-100180L	1000	1809	614	885	1680	550
EUPA-100180L	1000	1809	814	885	1680	750
EUPA-100200L	1000	2009	414	885	1880	350
EUPA-100200L	1000	2009	514	885	1880	450
EUPA-100200L	1000	2009	614	885	1880	550
EUPA-100200L	1000	2009	814	885	1880	750

MOUNTING PLATE WIDTH 800

EUPA CODE	CABINET DIMENSIONS			MOUNTING PLATE DIM.		
	B*	A	P	L	H	I (MAX)
EUPA-080180L	800	1809	414	685	1680	350
EUPA-080180L	800	1809	514	685	1680	450
EUPA-080180L	800	1809	614	685	1680	550
EUPA-080180L	800	1809	814	685	1680	750
EUPA-080200L	800	2009	414	685	1880	350
EUPA-080200L	800	2009	514	685	1880	450
EUPA-080200L	800	2009	614	685	1880	550
EUPA-080200L	800	2009	814	685	1880	750

MOUNTING PLATE WIDTH 1200

EUPA CODE	CABINET DIMENSIONS			MOUNTING PLATE DIM.		
	B*	A	P	L	H	I (MAX)
EUPA-120180L	1200	1809	414	1085	1680	350
EUPA-120180L	1200	1809	514	1085	1680	450
EUPA-120180L	1200	1809	614	1085	1680	550
EUPA-120180L	1200	1809	814	1085	1680	750
EUPA-120200L	1200	2009	414	1085	1880	350
EUPA-120200L	1200	2009	514	1085	1880	450
EUPA-120200L	1200	2009	614	1085	1880	550
EUPA-120200L	1200	2009	814	1085	1880	750

Note: optional stiffening omega-rings WTOM-001200 to be ordered separately.



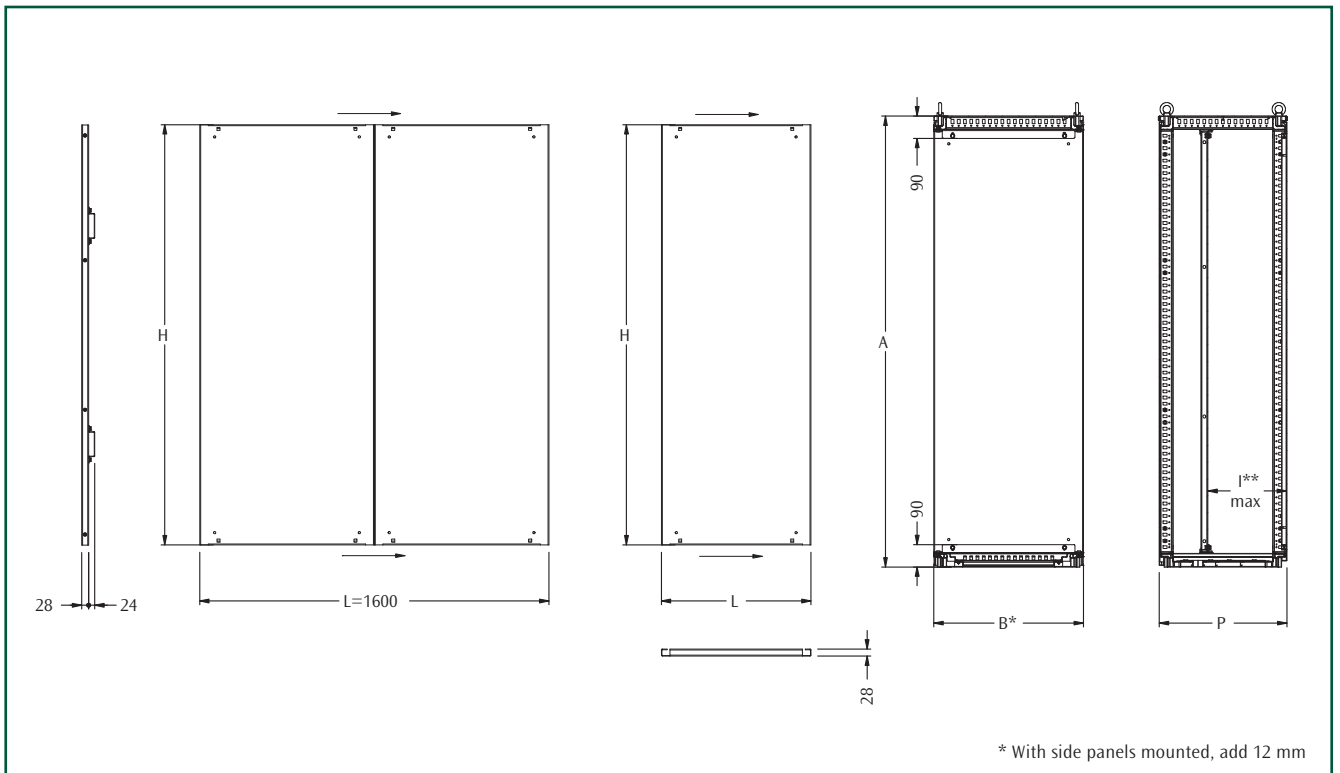
SIDE INSERTED MOUNTING PLATE EUPL

CHARACTERISTICS

Manufactured from 2.5 mm thick sendzimir sheet steel.

SUPPLY

Includes 1 piece with sliding guides and mounting accessories.



Note: mounting plate L=1600 mm manufactured in two parts with vertical union and stiffening omega-rings. Max L = 3m.

** Calculated without stiffening omega-rings

MOUNTING PLATE WIDTH 400

EUPL CODE	CABINET DIMENSIONS			MOUNTING PLATE DIM.		
	B*	A	P	L	H	I (MAX)
EUPL-040160	400	1609	414	400	1485	315
EUPL-040160	400	1609	514	400	1485	415
EUPL-040160	400	1609	614	400	1485	515
EUPL-040180	400	1809	414	400	1685	315
EUPL-040180	400	1809	514	400	1685	415
EUPL-040180	400	1809	614	400	1685	515
EUPL-040180	400	1809	814	400	1685	715
EUPL-040200	400	2009	414	400	1885	315
EUPL-040200	400	2009	514	400	1885	415
EUPL-040200	400	2009	614	400	1885	515
EUPL-040200	400	2009	814	400	1885	715
EUPL-040220	400	2209	514	400	2085	415
EUPL-040220	400	2209	614	400	2085	515
EUPL-040220	400	2209	814	400	2085	715

MOUNTING PLATE WIDTH 1000

EUPL CODE	CABINET DIMENSIONS			MOUNTING PLATE DIM.		
	B*	A	P	L	H	I (MAX)
EUPL-100160	1000	1609	414	1000	1485	315
EUPL-100160	1000	1609	514	1000	1485	415
EUPL-100160	1000	1609	614	1000	1485	515
EUPL-100180	1000	1809	414	1000	1685	315
EUPL-100180	1000	1809	514	1000	1685	415
EUPL-100180	1000	1809	614	1000	1685	515
EUPL-100180	1000	1809	814	1000	1685	715
EUPL-100200	1000	2009	414	1000	1885	315
EUPL-100200	1000	2009	514	1000	1885	415
EUPL-100200	1000	2009	614	1000	1885	515
EUPL-100200	1000	2009	814	1000	1885	715
EUPL-100220	1000	2209	514	1000	2085	415
EUPL-100220	1000	2209	614	1000	2085	515
EUPL-100220	1000	2209	814	1000	2085	715

MOUNTING PLATE WIDTH 600

EUPL CODE	CABINET DIMENSIONS			MOUNTING PLATE DIM.		
	B*	A	P	L	H	I (MAX)
EUPL-060140	600	1409	414	600	1285	315
EUPL-060140	600	1409	514	600	1285	415
EUPL-060160	600	1609	414	600	1485	315
EUPL-060160	600	1609	514	600	1485	415
EUPL-060160	600	1609	614	600	1485	515
EUPL-060160	600	1609	814	600	1485	715
EUPL-060180	600	1809	414	600	1685	315
EUPL-060180	600	1809	514	600	1685	415
EUPL-060180	600	1809	614	600	1685	515
EUPL-060180	600	1809	814	600	1685	715
EUPL-060200	600	2009	414	600	1885	315
EUPL-060200	600	2009	514	600	1885	415
EUPL-060200	600	2009	614	600	1885	515
EUPL-060200	600	2009	814	600	1885	715
EUPL-060200	600	2009	1014	600	1885	915
EUPL-060220	600	2209	514	600	2085	415
EUPL-060220	600	2209	614	600	2085	515
EUPL-060220	600	2209	814	600	2085	715

MOUNTING PLATE WIDTH 1200

EUPL CODE	CABINET DIMENSIONS			MOUNTING PLATE DIM.		
	B*	A	P	L	H	I (MAX)
EUPL-120140	1200	1409	414	1200	1285	315
EUPL-120140	1200	1409	514	1200	1285	415
EUPL-120160	1200	1609	414	1200	1485	315
EUPL-120160	1200	1609	514	1200	1485	415
EUPL-120160	1200	1609	614	1200	1485	515
EUPL-120160	1200	1609	814	1200	1485	715
EUPL-120180	1200	1809	414	1200	1685	315
EUPL-120180	1200	1809	514	1200	1685	415
EUPL-120180	1200	1809	614	1200	1685	515
EUPL-120180	1200	1809	814	1200	1685	715
EUPL-120200	1200	2009	414	1200	1885	315
EUPL-120200	1200	2009	514	1200	1885	415
EUPL-120200	1200	2009	614	1200	1885	515
EUPL-120200	1200	2009	814	1200	1885	715
EUPL-120200	1200	2009	1014	1200	1885	915
EUPL-120220	1200	2209	514	1200	2085	415
EUPL-120220	1200	2209	614	1200	2085	515
EUPL-120220	1200	2209	814	1200	2085	715

MOUNTING PLATE WIDTH 800

EUPL CODE	CABINET DIMENSIONS			MOUNTING PLATE DIM.		
	B*	A	P	L	H	I (MAX)
EUPL-080140	800	1409	414	800	1285	315
EUPL-080140	800	1409	514	800	1285	415
EUPL-080160	800	1609	414	800	1485	315
EUPL-080160	800	1609	514	800	1485	415
EUPL-080160	800	1609	614	800	1485	515
EUPL-080180	800	1809	414	800	1685	315
EUPL-080180	800	1809	514	800	1685	415
EUPL-080180	800	1809	614	800	1685	515
EUPL-080180	800	1809	814	800	1685	715
EUPL-080200	800	2009	414	800	1885	315
EUPL-080200	800	2009	514	800	1885	415
EUPL-080200	800	2009	614	800	1885	515
EUPL-080200	800	2009	814	800	1885	715
EUPL-080200	800	2009	1014	800	1885	915
EUPL-080220	800	2209	514	800	2085	415
EUPL-080220	800	2209	614	800	2085	515
EUPL-080220	800	2209	814	800	2085	715

MOUNTING PLATE WIDTH 1400

EUPL CODE	CABINET DIMENSIONS			MOUNTING PLATE DIM.		
	B*	A	P	L	H	I (MAX)
EUPL-140200	1400	2009	414	1400	1885	315
EUPL-140200	1400	2009	514	1400	1885	415
EUPL-140200	1400	2009	614	1400	1885	515
EUPL-140200	1400	2009	814	1400	1885	715

Note: optional stiffening omega-rings WTOM-001400L to be ordered separately.

MOUNTING PLATE WIDTH 1600

EUPL CODE	CABINET DIMENSIONS			MOUNTING PLATE DIM.		
	B*	A	P	L	H	I (MAX)
EUPL-160140	1600	1409	414	1600	1285	315
EUPL-160140	1600	1409	514	1600	1285	415
EUPL-160200	1600	2009	414	1600	1885	315
EUPL-160200	1600	2009	514	1600	1885	415
EUPL-160200	1600	2009	614	1600	1885	515
EUPL-160200	1600	2009	814	1600	1885	715



SUPPORTING BRACKETS WTSC-001

Central support brackets for mounting plates.

SUPPLY

Includes 2 pieces with mounting accessories.

Note: fixing rails H=50 (see page 75) to be ordered separately.

Note: available on request.



INTERMEDIATE MOUNTING PLATE EUPN

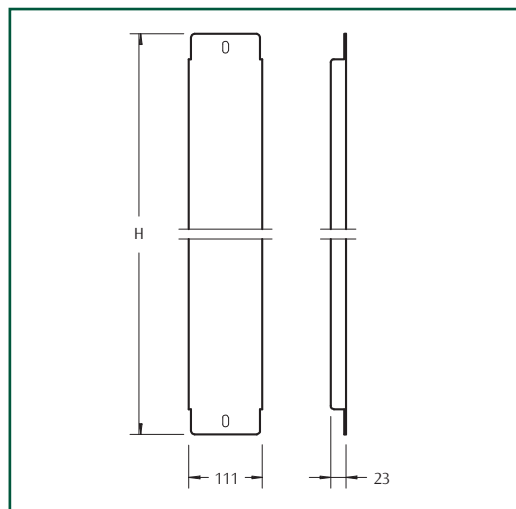
To give continuity to mounting plates between two cabinets mounted in a suite.

CHARACTERISTICS

Manufactured from 2.5 mm thick press bent sendzimir sheet steel.

SUPPLY

Includes 1 piece with mounting accessories.



INTERMEDIATE MOUNTING PLATE		
EUPN CODE	CABINET HEIGHT	H
EUPN-001400	1400	1286
EUPN-001600	1600	1486
EUPN-001800	1800	1686
EUPN-002000	2000	1886
EUPN-002200	2200	2086

SUPPLEMENTARY MOUNTING PLATE EUPS

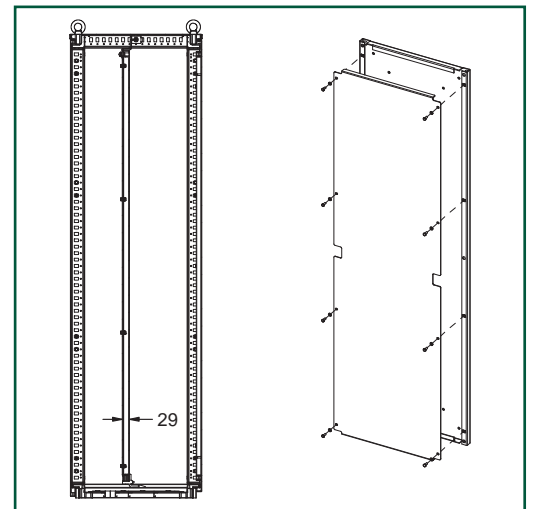
Applied on the rear part of a mounting plate to obtain a supplementary mounting plate.

CHARACTERISTICS

Manufactured from 2.5 mm thick sendzimir sheet steel.

SUPPLY

Includes 1 piece with mounting accessories.



EUPS CODE	CABINET DIM.		M. PLATE DIM.	
	B	A	L	H
EUPS-040160	400	1609	280	1435
EUPS-040180	400	1809	280	1635
EUPS-040200	400	2009	280	1835
EUPS-040220	400	2209	280	2035
EUPS-060140	600	1409	480	1235
EUPS-060160	600	1609	480	1435
EUPS-060180	600	1809	480	1635
EUPS-060200	600	2009	480	1835
EUPS-060220	600	2209	480	2035
EUPS-080140	800	1409	680	1235
EUPS-080160	800	1609	680	1435
EUPS-080180	800	1809	680	1635
EUPS-080200	800	2009	680	1835
EUPS-080220	800	2209	680	2035
EUPS-100160	1000	1609	880	1435
EUPS-100180	1000	1809	880	1635
EUPS-100200	1000	2009	880	1835
EUPS-100220	1000	2209	880	2035

PARTIAL MOUNTING PLATE EUPR

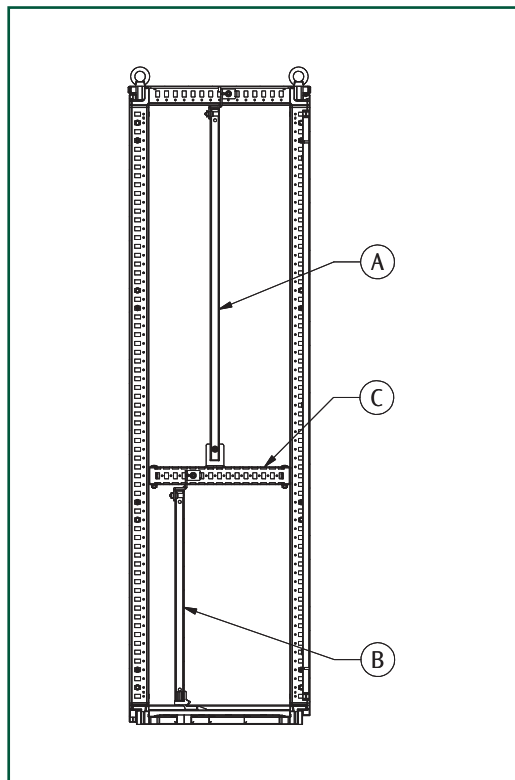
Partial mounting plates can be manufactured upon request.

Manufactured from 2.5 mm thick sendzimir sheet steel.

Mounting kit pos. A

Mounting kit pos. B.

Note: to be ordered separately: WTPR rails H=50 mm (C) and brackets WTSF-001 (see page 75).



PARTIAL MOUNTING PLATE		
EUPR CODE	MOUNTING PLATE DIMENSIONS	
	L	H
EUPR-060060	485	600
EUPR-060080	485	800
EUPR-060120	485	1200
EUPR-080060	685	600
EUPR-080080	685	800
EUPR-080120	685	1200

WTKA-001

Mounting kit pos. A.



WTKB-002

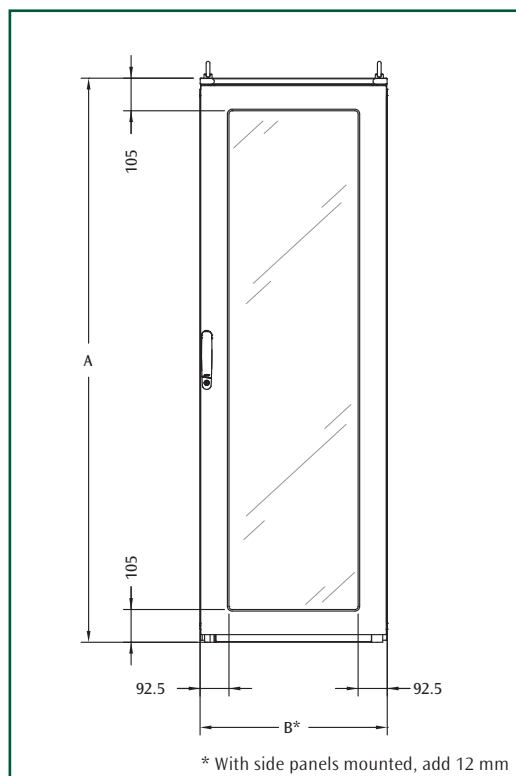
Mounting kit pos. B.





* Product AtEx: Contact the ETA commercial office for cabinet with tempered glass

Suite



PLEXI DOOR EUPV

CHARACTERISTICS

Manufactured from 2.0 mm thick sheet steel with viewing window, tubular stiffening frame and 4.0 mm thick clear Plexiglas.

PAINT FINISH

ETA standard epoxy polyester powder coating. Colour: RAL 7035 textured finish.

SUPPLY

- two upright rails complete with accessories
- door complete with sealing gasket, tubular stiffening frame and ø 3mm lever-operated double bar locking system.

PROTECTION RATING

- IP55 complying with IEC EN62208; EN60529
- NEMA 12 complying with UL508A; UL50
- impact resistance IK10 complying with IEC EN62208; EN62202.

PLEXI DOOR		
EUPV CODE	CABINET DIMENSIONS	
	B*	A
EUPV060140	600	1409
EUPV060160	600	1609
EUPV060180	600	1809
EUPV060200	600	2009
EUPV060220	600	2209
EUPV080140	800	1409
EUPV080160	800	1609
EUPV080180	800	1809
EUPV080200	800	2009
EUPV080220	800	2209
EUPV100160	1000	1609
EUPV100180	1000	1809
EUPV100200	1000	2009
EUPV100220	1000	2209

- Note:** E NUX cabinet with plexi door available in:
- Assembled version: see page 34, 35, 36 to choose the part numbers E NUX...PV
 - Flat-pack version: see above to choose the part numbers of the plexi door EUPV (provided with front uprights) and see page 34, 35, 36 to complete the cabinet with EUTF (top + bottom) and EURE (rear panel + rear uprights).

Note: glazed door available on request.

Note: codes are referring to the version with handle in RAL 5020. Available on demand in version Pantone 2717U; to order you have to add the suffix "A" to the code (i.e.: EUPV060140A).



SPLIT VERTICAL DOORS EUPO

CHARACTERISTICS

Door manufactured from 2.0 mm thick press bent sheet steel material.

PAINT FINISH

ETA standard epoxy polyester powder coating.
Colour: RAL 7035 textured finish.

SUPPLY

- door W=800 with split vertical doors 400+400 (H=1800 and 2000)
- available on request doors with different dimensions (i.e. W=1200 with split doors 800+400/ W=1000 with split doors 800+200).

PROTECTION RATING

- IP55 complying with EN62208; EN60529
- NEMA 12 complying with UL508A; UL50
- impact resistance IK10 complying with EN62208; EN62202.

Note: available on request.

Note: available on request split vertical doors with door stop for Dis-connector (see page 77).



Suite

DOOR STOP WTFP-001

Allows the mechanical stop of the door at 90°, preventing the accidental closing.
This equipment is compatible with the 180° rack structure mounted in the most forward position and the E NUX plexi/glazed doors too.

CHARACTERISTICS

Manufactured from 2.5 mm thick zincpassivated sheet steel.

SUPPLY

Includes 1 piece with accessories.

Note: available on request the item for allowing the mechanical stop of the door at 135°.



Suite



INNER DOOR EUPI

CHARACTERISTICS

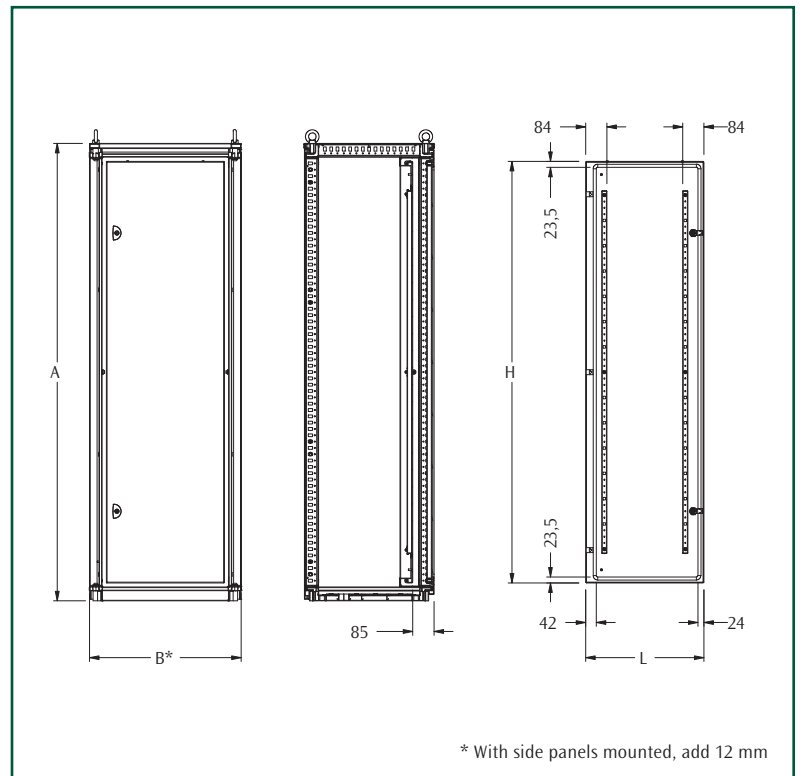
Manufactured from 2.0 mm thick sheet steel supplied complete with vertical uprights and horizontal rails.

PAINT FINISH

ETA standard epoxy polyester powder coating.
Colour: RAL 7035 textured finish.

SUPPLY

- door complete with \varnothing 3 mm double bar locking system and hinges
- vertical uprights and horizontal rails
- mounting accessories.



INNER DOOR				
EUPI CODE	CABINET DIMENSIONS		INNER DOOR DIM.	
	B*	A	L	H
EUPI060140	600	1409	467	1267
EUPI060160	600	1609	467	1467
EUPI060180	600	1809	467	1667
EUPI060200	600	2009	467	1867
EUPI060220	600	2209	467	2067
EUPI080140	800	1409	667	1267
EUPI080160	800	1609	667	1467
EUPI080180	800	1809	667	1667
EUPI080200	800	2009	667	1867
EUPI080220	800	2209	667	2067
EUPI100160	1000	1609	867	1467
EUPI100180	1000	1809	867	1667
EUPI100200	1000	2009	867	1867
EUPI100220	1000	2209	867	2067

PROFILES FOR INNER DOOR**	
WTPP CODE	CABINET HEIGHT
WTPP-001400	1400
WTPP-001600	1600
WTPP-001800	1800
WTPP-002000	2000
WTPP-002200	2200

** Available on request: profiles for inner door (supply includes 2 pieces).



LATERAL DOOR EUPF

CHARACTERISTICS

Manufactured from 1.5 mm thick sheet steel.

PAINT FINISH

ETA standard epoxy polyester powder coating.
Colour: RAL 7035 textured finish.

SUPPLY

- door complete with sealing gasket, \varnothing 3mm lever operated double bar locking system
- 4 hinges
- mounting accessories.

Note: codes are referring to the version with roof and handle in RAL 5020. Available on demand in version Pantone 2717U; to order you have to add the suffix "A" to the code of (i.e.: EUPF040140A).

SIDE PANELS EUFI

CHARACTERISTICS

Manufactured from press-bent sheet steel with rounded folding.

PAINT FINISH

ETA standard epoxy polyester powder coating.
Colour: RAL 7035 textured finish.

SUPPLY

- two side panels
- rapid fastening couplers
- mounting accessories.

Note: to order a pair of side panels for mounting on hinge side 180°, you have to add the suffix "C" to the code (i.e.: EUFI040140C).

LATERAL DOOR

EUPF CODE	DIMENSIONS	
	HEIGHT	DEPTH
EUPF040140	1400	400
EUPF050140	1400	500
EUPF060140	1400	600
EUPF040160	1600	400
EUPF050160	1600	500
EUPF060160	1600	600
EUPF040180	1800	400
EUPF050180	1800	500
EUPF060180	1800	600
EUPF080180	1800	800
EUPF040200	2000	400
EUPF050200	2000	500
EUPF060200	2000	600
EUPF080200	2000	800
EUPF050220	2200	500
EUPF060220	2200	600
EUPF080220	2200	800

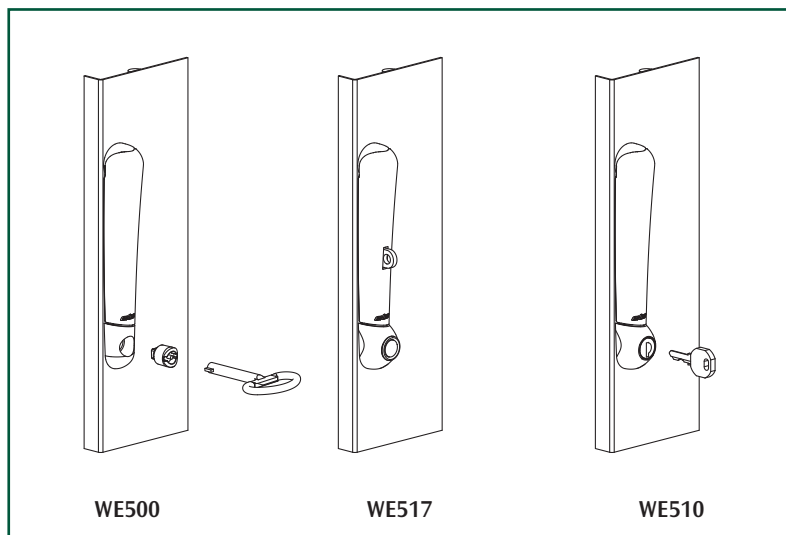
SIDE PANELS

EUFI CODE	DIMENSIONS	
	HEIGHT	DEPTH
EUFI040140	1400	400
EUFI050140	1400	500
EUFI040160	1600	400
EUFI050160	1600	500
EUFI060160	1600	600
EUFI040180	1800	400
EUFI050180	1800	500
EUFI060180	1800	600
EUFI080180	1800	800
EUFI040200	2000	400
EUFI050200	2000	500
EUFI060200	2000	600
EUFI080200	2000	800
EUFI100200	2000	1000
EUFI050220	2200	500
EUFI060220	2200	600
EUFI080220	2200	800

Suite

LOCKING SYSTEMS

The innovative latching system for E NUX cabinets is characterized by a lever-operated mechanism and rack motion system, with compact internal footprint and different inserts available. The technology of the closing system fits the unique ergonomic design of the handle, that conveys functionality and harmony to the solution.



LOCKING SYSTEMS	
WE CODE	DESCRIPTION
WE500	E NUX ALUMINIUM HANDLE WITH 3 MM DOUBLE-BIT INSERT. RAL 5020
WE510	E NUX ALUMINIUM HANDLE WITH KEY LOCK INSERT. RAL 5020
WE515	E NUX ALUMINIUM HANDLE WITH PAD-LOCKING OPTION (PADLOCK NOT SUPPLIED). RAL 5020
WE516	E NUX ALUMINIUM HANDLE WITH KEY LOCK INSERT AND PAD-LOCKING OPTION (PADLOCK NOT SUPPLIED). RAL 5020
WE517	E NUX ALUMINIUM HANDLE WITH PAD-LOCKING OPTION AND PUSH-BUTTON RELEASE (PADLOCK NOT SUPPLIED). RAL 5020
WE518	E NUX ALUMINIUM HANDLE WITH PUSH-BUTTON RELEASE. RAL 5020
WE519*	E NUX ALUMINIUM COVER WITH 3 MM DOUBLE-BIT INSERT



Note: to order the WE500 and WE510 in Pantone 2717U, you have to add the suffix "A" to the code. For special painted cabinets, the handle will be supplied in black colour.

* When ordering, specify if the door is right or left hinged.

LOCKING SYSTEMS	
WE CODE	DESCRIPTION
WE520	INSERT Ø 3 MM
WE522	KEY Ø 3 MM
WE530	INSERT Ø 5 MM
WE532	KEY Ø 5 MM
WE540	INSERT ∇ 7 MM
WE542	KEY ∇ 7 MM
WE550	INSERT \sphericalangle 7 MM
WE552	KEY \sphericalangle 7 MM
WE560	INSERT \sphericalangle 8 MM
WE562	KEY \sphericalangle 8 MM
WE570	FIAT INSERT
WE572	FIAT KEY



MODULAR PLINTH EUZE

CHARACTERISTICS

Corner pieces manufactured from 2.5 mm thick press bent sheet steel, with PVC front covers caps. Front and side crosspieces manufactured from 2.0 mm thick press bent sheet steel.

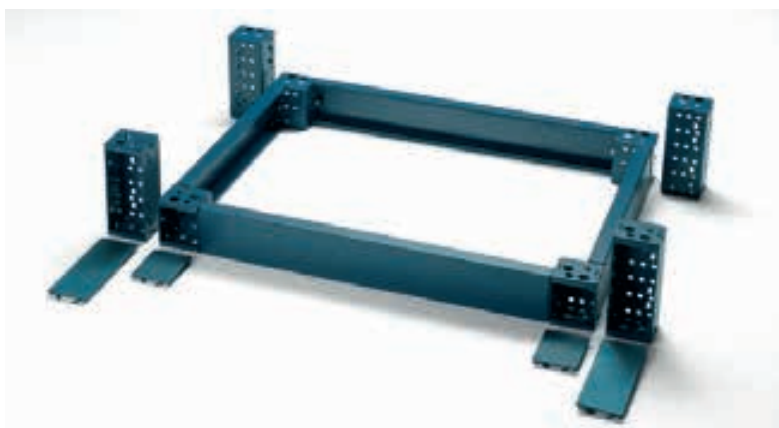
PAINT FINISH

ETA standard epoxy polyester powder coating.
Colour: RAL 5020 textured finish.

SUPPLY

The modular plinth is made up of:

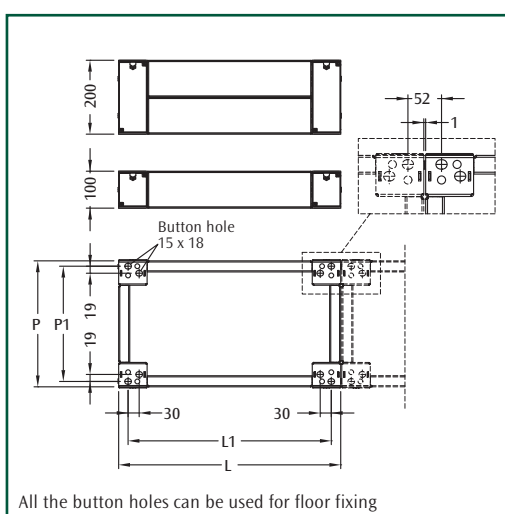
- corner pieces: supply includes 4 pieces complete with front covers and mounting hardware
- front crosspieces: supply includes 2 pieces
- side crosspieces: supply includes 2 pieces.



Suite

DIMENSIONAL SPECIFICATIONS

CABINET DIM.		PLINTH DIM.		CENT. DISTANCES	
L	P	L	P	L1	P1
300	400	300	378	249	349
300	500	300	478	249	449
300	600	300	578	249	549
300	800	300	778	249	749
400	400	400	378	349	349
400	500	400	478	349	449
400	600	400	578	349	549
400	800	400	778	349	749
600	400	600	378	549	349
600	500	600	478	549	449
600	600	600	578	549	549
600	800	600	778	549	749
600	1000	600	978	549	949
800	400	800	378	749	349
800	500	800	478	749	449
800	600	800	578	749	549
800	800	800	778	749	749
800	1000	800	978	749	949
1000	400	1000	378	949	349
1000	500	1000	478	949	449
1000	600	1000	578	949	549
1000	800	1000	778	949	749
1200	400	1200	378	1149	349
1200	500	1200	478	1149	449
1200	600	1200	578	1149	549
1200	800	1200	778	1149	749
1200	1000	1200	978	1149	949
1400	400	1400	378	1349	349
1400	500	1400	478	1349	449
1400	600	1400	578	1349	549
1400	800	1400	778	1349	749
1600	400	1600	378	1549	349
1600	500	1600	478	1549	449
1600	600	1600	578	1549	549
1600	800	1600	778	1549	749



UNIVERSAL CORNER PIECES

EUZE CODE	DESCRIPTION
EUZE-A100	CORNER PIECES FOR PLINTH H=100
EUZE-A200	CORNER PIECES FOR PLINTH H=200

Note: supply includes 4 pieces with mounting accessories.

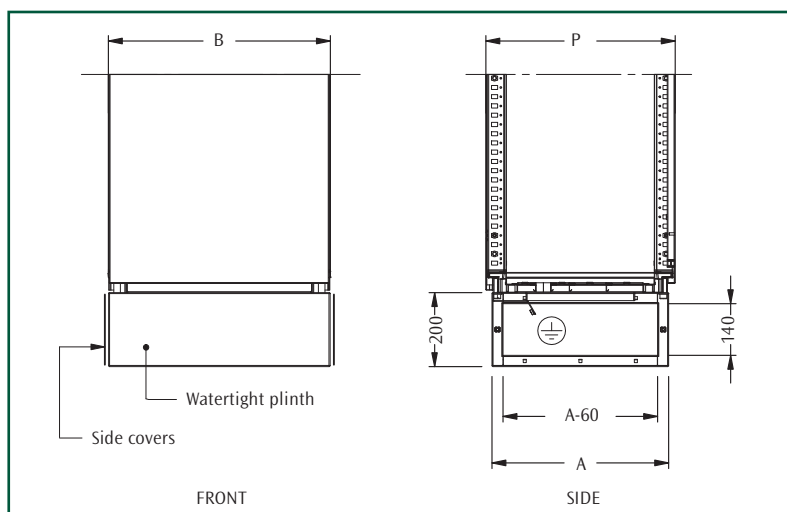
SIDE/FRONT CROSSPIECES

EUZE CODE	DESCRIPTION	CROSS. LENGTH MM
EUZE-T0300	PLINTH CROSSPIECES L=300	144
EUZE-T0400	PLINTH CROSSPIECES L=400	244
EUZE-T0500	PLINTH CROSSPIECES L=500	344
EUZE-T0600	PLINTH CROSSPIECES L=600	444
EUZE-T0800	PLINTH CROSSPIECES L=800	644
EUZE-T1000	PLINTH CROSSPIECES L=1000	844
EUZE-T1200	PLINTH CROSSPIECES L=1200	1044
EUZE-T1400	PLINTH CROSSPIECES L=1400	1244
EUZE-T1600	PLINTH CROSSPIECES L=1600	1444

Note: to order the front and side crosspieces H=200, add the suffix "D" to the code (i.e.: EUZE-T0300D).

Note: supply includes 2 pieces.

Note: codes are referring to the version in RAL 5020. Available on demand in version Pantone 2717U; to order you have to add the suffix "A" to the code (i.e.: EUZE-A100A, EUZE-T0300A, EUZE-T0300DA).



WATERTIGHT PLINTH H=200 MM EUZ3

To be used as a conduit for cables passage and to protect cables from chemical agents and accidental shocks.

CHARACTERISTICS

Manufactured from 2.0 mm thick press bent and welded sheet steel.

PAINT FINISH

ETA standard epoxy polyester powder coating.
Colour: RAL 5020 textured finish.

SUPPLY

- plinth (without covers)
- adhesive gasket
- mounting accessories.

Note: two side covers to be ordered separately.

Note: the codes are related to the RAL 5020 version. Available on demand in Pantone 2717U version; to order you have to add the suffix "A" to the code (i.e.: EUZ3-040040A).

WATERTIGHT PLINTH H=200 MM

EUZ3 CODE	CABINET DIM.		PLINTH	
	B	P	B	A
EUZ3-040040	400	414	400	378
EUZ3-040050	400	514	400	478
EUZ3-040060	400	614	400	578
EUZ3-040080	400	814	400	778
EUZ3-060040	600	414	600	378
EUZ3-060050	600	514	600	478
EUZ3-060060	600	614	600	578
EUZ3-060080	600	814	600	778
EUZ3-080040	800	414	800	378
EUZ3-080050	800	514	800	478
EUZ3-080060	800	614	800	578
EUZ3-080080	800	814	800	778
EUZ3-100040	1000	414	1000	378
EUZ3-100050	1000	514	1000	478
EUZ3-100060	1000	614	1000	578
EUZ3-100080	1000	814	1000	778
EUZ3-120040	1200	414	1200	378
EUZ3-120050	1200	514	1200	478
EUZ3-120060	1200	614	1200	578
EUZ3-120080	1200	814	1200	778



TWO SIDE COVERS EUFL

SUPPLY

- two side covers with gasket
- mounting accessories.

Note: the codes are related to the RAL 5020 version. Available on demand in Pantone 2717U version; to order you have to add the suffix "A" (i.e.: EUFL-000400A).

TWO SIDE COVERS

EUFL CODE	CABINET DEPTH
EUFL-000400	400
EUFL-000500	500
EUFL-000600	600
EUFL-000800	800

LIFTING DEVICE FOR JOINED CABINETS TR-01

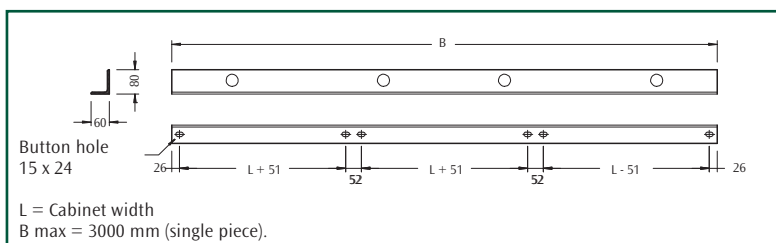
CHARACTERISTICS

“L” shaped profile hot-rolled 80 x 60 mm.

PAINT FINISH

Colour: RAL 5020 textured finish.

Note: available on request.



TRANSPORTATION PLINTH EUZU

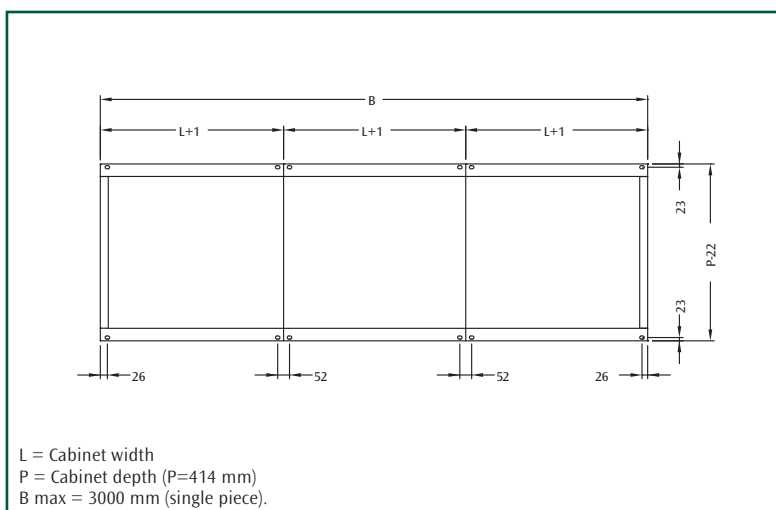
Available in 2 versions:

- 1 Manufactured from 3.0 mm thick press bent sheet steel, 100mm high
- 2 “U” shaped hot-rolled profile, 100 mm high.

PAINT FINISH

Colour: RAL 5020 textured finish.

Note: available on request.



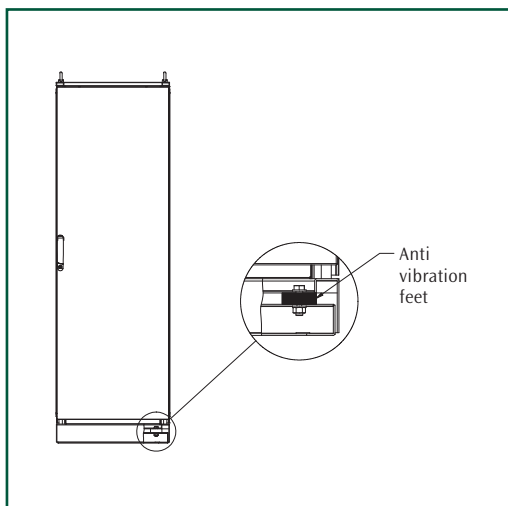
ANTI VIBRATION PLINTH EUZV

Manufactured from 3.0 mm thick press bent sheet steel, H=100mm, with special anti vibration devices.

PAINT FINISH

Colour: RAL 5020 textured finish.

Note: available on request.



The seismic design study starts from the vulnerability evaluation of the structure located in different geographical scales. Thanks to the activity developed together with the Foundation Eucentre Pavia, TREES Lab (Laboratory for Training and Research in Earthquake Engineering and Seismology), we have set the following research activities:

- 1 Modelling and numerical simulation of the seismic response of two cabinets, in order to study, during the design phase, the behaviour that the systems considered (E NUX with anti-vibration plinth and E NUX with anti-seismic kit) would have manifested towards seismic actions in various geographical areas and on different soils.
- 2 Seismic simulation of the two cabinets dynamic behaviour on a vibrating table, with experimental tests on structures in order to realize experimental research on prototypes, also in large-scale (both static and dynamic tests).

Note: for more information, see the Technical section on page 307.

BASIC VERSION

TECHNICAL DATA

Peak acceleration $\leq 1G$.
Mounting plate loaded up to 130 Kgs.

CHARACTERISTICS

- Plinth manufactured from press bent sheet steel, thickness 3.0 mm H=100, with anti-vibration elements and the possibility of floor fixing. Painting colour: RAL 5020 textured finish.
- Rails WTPR (2 pieces) mounted in depth for the central fixing of the mounting plate + WTSF-001.



MEDIUM VERSION

TECHNICAL DATA

Peak acceleration $\leq 1G$.
Loaded mounting plate $> 130 \leq 450$ Kgs.

CHARACTERISTICS

- Plinth manufactured from press bent sheet steel, thickness 3.0 mm H=100, with anti-vibration elements and the possibility of floor fixing. Painting colour: RAL 5020 textured finish.
- Rails WTPR (2 pieces) mounted in depth for the central fixing of the mounting plate + WTSF-001.
- 2 top and bottom fixing brackets for mounting plate, manufactured of galvanized steel, thickness 3.0 mm.

SEISMIC DESIGN

EUKA CODE	VERSION	CABINET DIM.		
		L	A	P
EUKA-080060B	BASIC VERSION	800	ALL	600
EUKA-080080B	BASIC VERSION	800	ALL	800
EUKA-080060M	MEDIUM VERSION	800	ALL	600
EUKA-080080M	MEDIUM VERSION	800	ALL	600
EUKA-082006S	STRONG VERSION	800	2000	600
EUKA-082008S	STRONG VERSION	800	2000	800



STRONG VERSION

TECHNICAL DATA

Peak acceleration $> 1G$.
Loaded mounting plate ≤ 450 Kgs.

CHARACTERISTICS

- Plinth manufactured from press bent sheet steel, thickness 3.0 mm H=100, with anti-vibration elements and the possibility of floor fixing. Painting colour: RAL 5020 textured finish.
- Rails WTPR (2 pieces) mounted in depth for the central fixing of the mounting plate + WTSF-001.
- 2 top and bottom fixing brackets for mounting plate, manufactured of galvanized steel, thickness 3.0 mm.
- 4 stiffening frames manufactured from galvanized steel, thickness 2.0 mm.
- 8 stiffening structure brackets manufactured from galvanized steel, thickness 3.0 mm.

**KIT FOR E NUX
IP56 / IP65 / IP66 / NEMA 4X**

For IP protection rating that are different from the standard (ENUX – IP55), there are specific kits supplied mounted on the cabinet.

Available for single door cabinets and for cabinets joined in a suite.

Note: available on request.

KIT IP56

For sheet steel or stainless steel solutions; indoor applications.

CHARACTERISTICS

Standard cabinet supplied with special seal for panels. Supplied assembled.

KIT IP65 / IP66

For sheet steel or stainless steel solutions; indoor and outdoor applications.

CHARACTERISTICS

Standard cabinet supplied with special seal for panels and with a specific kit of screws and accessories. Supplied assembled.

KIT NEMA 4X

For stainless steel sheet solutions; indoor and outdoor applications.

CHARACTERISTICS

Stainless steel standard cabinet supplied with silicone seal for panels, a specific kit of screws and accessories, and a unique base plate for cable entry. Supplied assembled.

Note: for outdoor applications, we recommend the use of a rain canopy and a cycle of special painting; for particularly harsh outdoor applications, we recommend the use of stainless steel solutions. For further information, see the Technical section on page 307.

RAIN CANOPY EUTT

Particularly suitable for outdoor applications, where it is required an additional protection from atmospheric agents. We recommend the use of a cycle of special polyester painting for outdoor.

CHARACTERISTICS

Manufactured from 1.5 mm sheet steel. Available for single cabinets or cabinets joined in a suite.

PAINT FINISH

ETA standard epoxy polyester powder coating. Colour: RAL 5020 textured finish.

SUPPLY

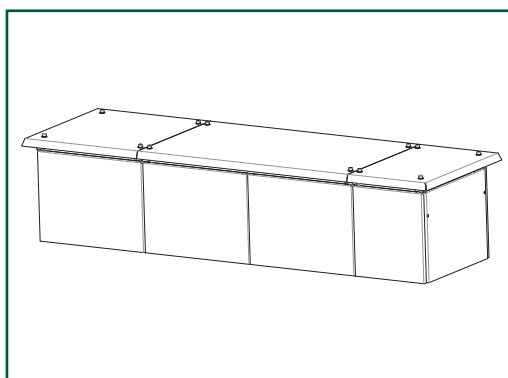
Includes 1 piece complete with mounting accessories.

Note: rain canopy with different inclinations and angles are available on request.

Note: different dimensions available on request.



RAIN CANOPY		
EUTT CODE	CABINET DIMENSIONS	
	W	D
EUTT080060	800	600
EUTT080080	800	800



Suite



CASTORS WTRU-001

High quality polyamide wheels. Load capacity 120 kgs each wheel.

SUPPLY

Includes 4 pieces (2 rotating wheels, 2 wheels with brake).



LEVELLING FEET WTPX-001

They can be applied on the cabinet structure or plinth. Suitable for un-even floors or applications that require cleaning under the cabinet.

CHARACTERISTICS

In PVC, screws made from zinc steel.

SUPPLY

Includes 4 pieces with plate and mounting accessories.

Note: for suite cabinets, order levelling feet WTPX-002.

ONE PIECE CABLE ENTRY BOX FOR JOINED CABINETS

CHARACTERISTICS

Manufactured from 2.0 mm thick press bent sheet steel.

PAINT FINISH

Colour: RAL 7035 textured finish.

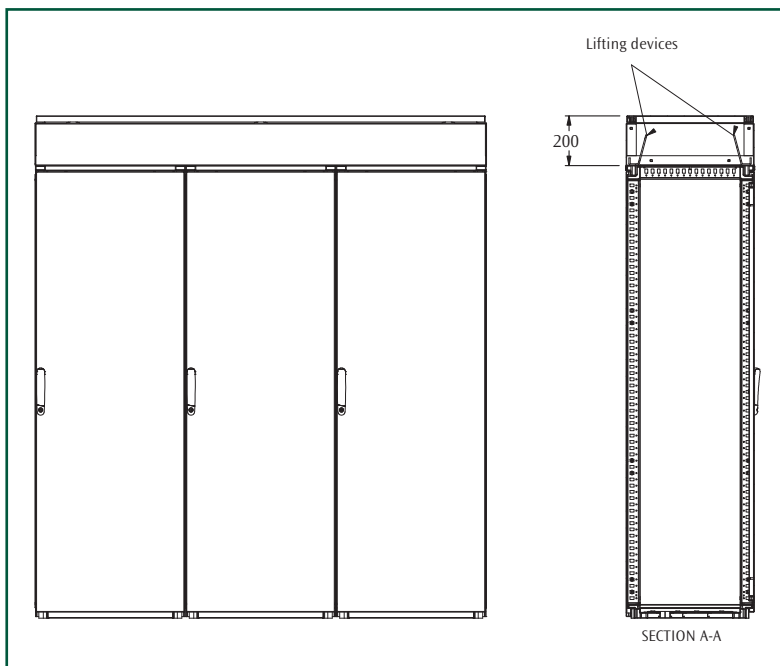
SUPPLY

Includes 1 piece cable entry box with lifting devices.



Note: available in one piece up to 1800 mm wide.

Note: available on request.





CABLE ENTRY BOX EUVC

For mounting on cabinet roof, it offers complete accessibility from each side and allows cabling or busbar systems to be installed.

CHARACTERISTICS

Structure manufactured from 2.0 mm thick sheet steel, complete with fixing and lifting joints.

PAINT FINISH

ETA standard epoxy polyester powder coating.
Colour: RAL 7035 textured finish.

SUPPLY

Includes:

- cable entry box with rear and front panel
- adhesive gasket.

PROTECTION RATING

IP55.

Note: to be ordered separately:

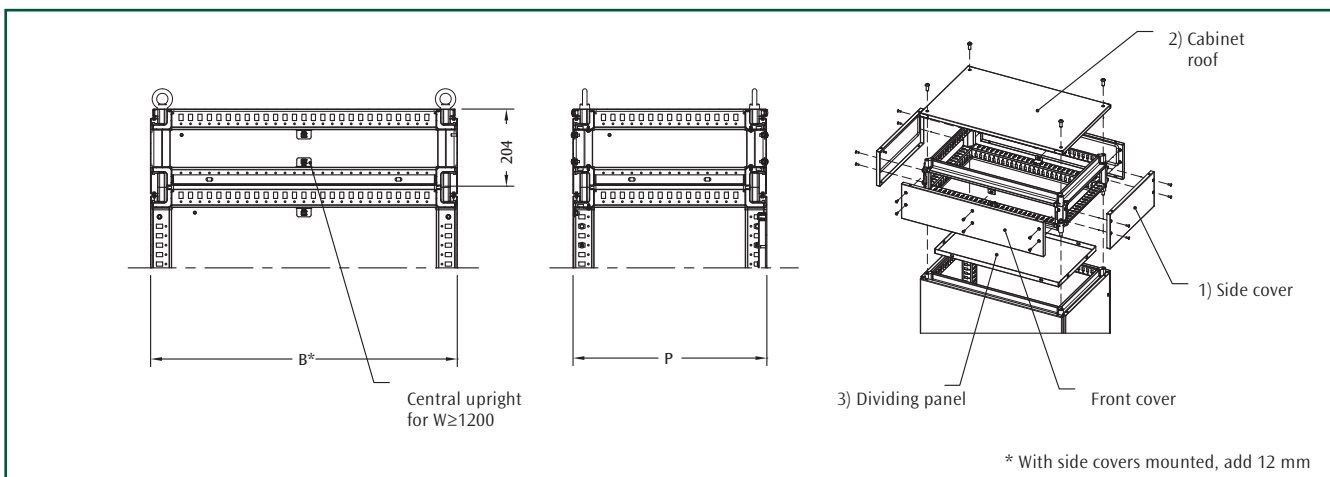
1. side covers
2. use cabinet roof to close top of cable entry box
3. dividing panel between cable entry box and cabinet is available on request (manufactured from 1.5 mm thick sendzimir sheet steel including gasket).

CABLE ENTRY BOX				
EUVC CODE	DIMENSIONS		B*	P**
	WIDTH	DEPTH		
EUVC040050	400	500	400	514
EUVC040060	400	600	400	614
EUVC040080	400	800	400	814
EUVC060050	600	500	600	514
EUVC060060	600	600	600	614
EUVC060080	600	800	600	814
EUVC080050	800	500	800	514
EUVC080060	800	600	800	614
EUVC080080	800	800	800	814
EUVC100050	1000	500	1000	514
EUVC100060	1000	600	1000	614
EUVC100080	1000	800	1000	814
EUVC120050	1200	500	1200	514
EUVC120060	1200	600	1200	614
EUVC120080	1200	800	1200	814

** Including front covers

SIDE COVERS (2 PIECES)	
EUFC CODE	CABINET DEPTH
EUFC000500	500
EUFC000600	600
EUFC000800	800

DIVIDING PANEL (ON REQUEST)		
EULC CODE	CABINET DIMENSIONS	
	WIDTH	DEPTH
EULC-040050	400	500
EULC-040060	400	600
EULC-040080	400	800
EULC-060050	600	500
EULC-060060	600	600
EULC-060080	600	800
EULC-080050	800	500
EULC-080060	800	600
EULC-080080	800	800
EULC-100050	1000	500
EULC-100060	1000	600
EULC-100080	1000	800
EULC-120050	1200	500
EULC-120060	1200	600
EULC-120080	1200	800



BLANK BASE EUFC

CHARACTERISTICS

Manufactured from a single piece 2.5 mm thick sendzimir sheet steel.

SUPPLY

Includes 1 piece with mounting accessories.



BLANK BASE		
CODE	DIMENSIONS	
	EUFC	WIDTH
EUFC-040040	400	400
EUFC-040050	400	500
EUFC-040060	400	600
EUFC-040080	400	800
EUFC-060040	600	400
EUFC-060050	600	500
EUFC-060060	600	600
EUFC-060080	600	800
EUFC-080040	800	400
EUFC-080050	800	500
EUFC-080060	800	600
EUFC-080080	800	800
EUFC-100040	1000	400
EUFC-100050	1000	500
EUFC-100060	1000	600
EUFC-100080	1000	800
EUFC-120040	1200	400
EUFC-120050	1200	500
EUFC-120060	1200	600
EUFC-120080	1200	800

REINFORCING BRACKETS EUKU-003

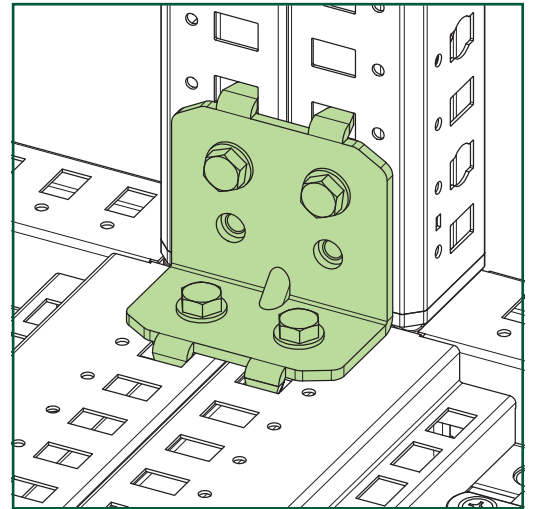
To be used to provide more rigidity to cabinets joined in a suite.

CHARACTERISTICS

Manufactured from 4.0 mm thick zincpassivated sheet steel.

SUPPLY

Includes 4 pieces with mounting accessories.



JOINING KIT EUKU-001/EUKU-002

To be used to join two cabinets together. It's recommended to use lifting brackets WTSS-001 instead of lifting eyebolts.

CHARACTERISTICS

Union spacers and mounting accessories manufactured from zinc sheet steel with adhesive gasket to guarantee IP protection degree.

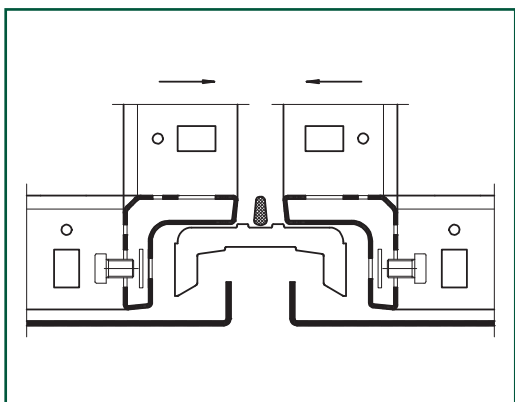
SUPPLY

Includes union spacers and fixing accessories.
 EUKU-001 includes 4 pieces for cabinet H=1400
 EUKU-002 includes 8 pieces for cabinet H=1600/1800/2000/2200.



JOINING KIT

EUKU CODE	CABINET HEIGHT
EUKU-001	1400
EUKU-002	1600
EUKU-002	1800
EUKU-002	2000
EUKU-002	2200



Note: E NUX suite cabinets are provided with CE, ATEX, TUV, RINA, cULus, GOST, ROHS marks, with protection rating IP55, NEMA 12, IK10.

JOINING KIT EUKU-005/EUKU-006

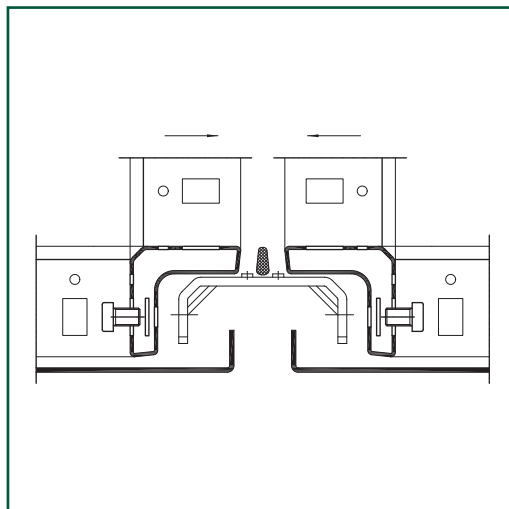
CHARACTERISTICS

Simplified solution of joining kit manufactured from 4.0 mm thick pressed zincpassivated sheet steel.

SUPPLY

EUKU-005 includes 4 pieces for cabinet H=1400
 EUKU-006 includes 8 pieces for cabinet H=1600/1800/2000/2200.

Note: E NUX suite cabinets are provided with CE, ATEX, TUV, RINA, cULus, GOST, ROHS marks, with protection rating IP55, NEMA 12, IK10.



JOINING KIT

EUKU CODE	CABINET HEIGHT
EUKU-005	1400
EUKU-006	1600
EUKU-006	1800
EUKU-006	2000
EUKU-006	2200



EYEBOLTS WTGS-001

CHARACTERISTICS

Zincpassivated M12 lifting eyebolts.

SUPPLY

Includes 4 pieces.



LIFTING BRACKETS WTSS-001

CHARACTERISTICS

Lifting brackets manufactured from 5.0 mm thick zincpassivated sheet steel.

SUPPLY

Includes 4 pieces.

Note: if 2 lifting brackets only are needed, order WTSS-001CP.



180° DOOR HINGES EUCE

Hinges for 180° opening to be mounted on standard doors, complete with mounting accessories.

CHARACTERISTICS

Manufactured from pressed zama.

PAINT FINISH

Colour: RAL 5020 smooth finish.

SUPPLY

EUCE-180001 supply includes 4 pieces
 EUCE-180002 supply includes 5 pieces
 EUCE-180003 supply includes 3 pieces.

Note: to be ordered separately side panels EUFI-C for the assembly on the side provided with 180° hinges, see page 63.

Note: codes are referring to the version in RAL 5020. Available on demand in version Pantone 2717U; to order you have to add the suffix "A" to the code (i.e.: EUCE-180001A).



180° HINGES	
EUCE CODE	DOOR HEIGHT
EUCE-180001	1800 - 2000
EUCE-180002	2200
EUCE-180003	1400 - 1600

RAIL H=50 MM WTPR

A unique easy mounted rail is used for all applications (horizontal, lateral and vertical mounting).

CHARACTERISTICS

Manufactured from 1.5 mm thick sendzimir sheet steel with holes at 25 mm. To be assembled to the structure with fixing brackets for rails WTSF-001.

SUPPLY

Includes 4 pieces.

Note: fixing brackets WTSF-001 to be ordered separately.

RAILS H=50 MM	
WTPR CODE	RAIL LENGTH
WTPR-050040	300
WTPR-050050	400
WTPR-050060	500
WTPR-050080	700
WTPR-050100	900
WTPR-050120	1100
WTPR-050140	1300
WTPR-050160	1500
WTPR-050180	1700
WTPR-050200	1900
WTPR-050220	2100



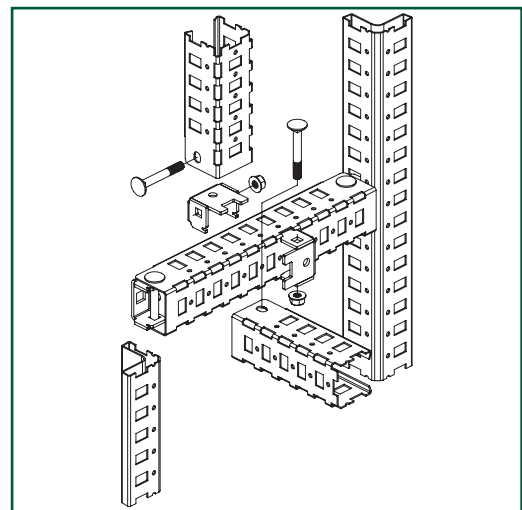
FIXING BRACKETS FOR RAILS WTSF-001

CHARACTERISTICS

Manufactured from 2.5 mm thick zincpassivated sheet steel.

SUPPLY

Includes 8 pieces with mounting accessories.



FAST FIXING BRACKETS WTPR - R

A cost effective solution allowing rapid fixing and professional result.

CHARACTERISTICS

Manufactured from 2.0 mm thick sendzimir sheet steel.

SUPPLY

Includes 4 pieces.

Note: self-tapping screws WA218 (supply includes 50 screws) to be ordered separately.

RAILS H=25 MM	
WTPR CODE	CABINET DIMENSIONS
WTPR-025040R	400
WTPR-025050R	500
WTPR-025060R	600
WTPR-025080R	800
WTPR-025100R	1000



RAILS H=50 MM	
WTPR CODE	CABINET DIMENSIONS
WTPR-050040R	400
WTPR-050050R	500
WTPR-050060R	600
WTPR-050080R	800
WTPR-050100R	1000

WA218

Zincpassivated self-tapping screws ø 5.5x13.

SUPPLY

Includes 50 pieces.

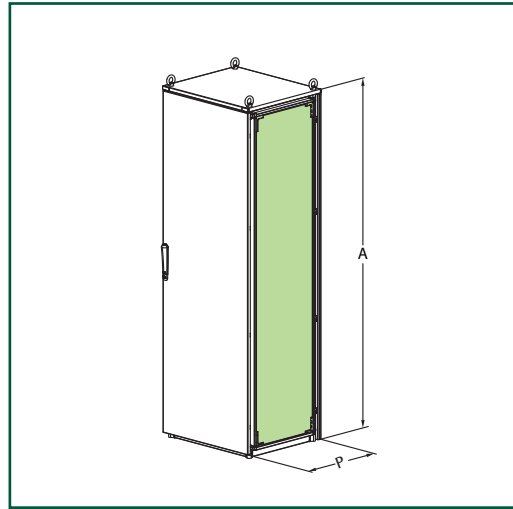


BLANK VERTICAL DIVIDING PANEL EUD1

Manufactured from 1.5 mm thick sendzimir sheet steel then folded on the sides. To be used to separate two cabinets.

SUPPLY

Includes 1 piece complete with mounting accessories.

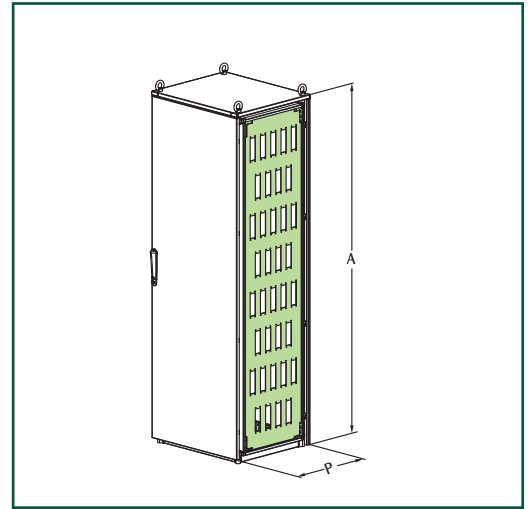


PUNCHED PARTITION PANEL EUD2

Punched partition panel for 24 pole connectors, manufactured from 1.5 mm thick sendzimir sheet steel.

SUPPLY

Includes 1 piece complete with mounting accessories.



BLANK VERTICAL DIVIDING PANEL

EUD1 CODE	CABINET DIMENSIONS	
	P	A
EUD1-040140	414	1409
EUD1-040160	414	1609
EUD1-040180	414	1809
EUD1-040200	414	2009
EUD1-050140	514	1409
EUD1-050160	514	1609
EUD1-050180	514	1809
EUD1-050200	514	2009
EUD1-050220	514	2209
EUD1-060160	614	1609
EUD1-060180	614	1809
EUD1-060200	614	2009
EUD1-060220	614	2209
EUD1-080180	814	1809
EUD1-080200	814	2009
EUD1-080220	814	2209

Note: when we have 2 suite cabinets + EUD1, the protection rating inside the cabinet is IP2X.

PUNCHED PARTITION PANEL

EUD2 CODE	CABINET DIMENSIONS		
	P	A	HOLES NO.
EUD2-050180	514	1809	36
EUD2-050200	514	2009	40
EUD2-060180	614	1809	44
EUD2-060200	614	2009	49
EUD2-080180	814	1809	68
EUD2-080200	814	2009	76

Note: when we have 2 suite cabinets + EUD2, the protection rating inside the cabinet is IP2X.

WE350Z

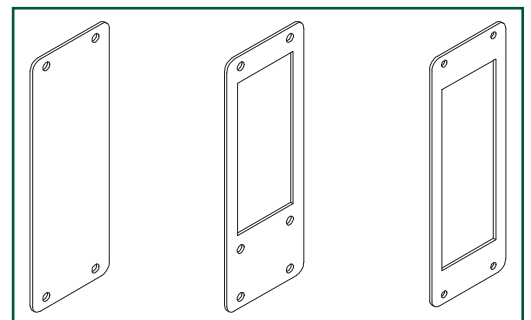
Closing plate (supply includes 1 piece).

WE351Z

Reducer 24/16 poles (supply includes 1 piece).

WE352

Gasket (supply includes 1 piece).



DOOR LOCK FOR CABINETS JOINED IN A SUITE WTBP

It can be used on E NUX enclosures joined in a suite, as a complement to the door lock of the standard main switches. The secondary doors in line are opened only after the main door/s has opened. The position of the main switch of flat-pack enclosures is not binding, as it is independent of the door recess. The opening/closing of secondary doors occurs simultaneously, following the locking/unlocking of the door with the main switch.

CHARACTERISTICS

Door lock parts manufactured from 2.5 mm thick galvanized sheet steel. Connection blocks and transmission rods manufactured from galvanized sheet steel.

1 WTBP-001

Control device for enclosure with main switch (main panel). Consider one piece per battery.

2 WTBPB-001

Door lock for cabinets joined in a suite (to be installed on secondary cabinets). Consider one piece for each single door and master door of the double door cabinet.

4 WTBP-060 W=600

WTBP-080 W=800

WTBP-120 W=1200

Transmission rods (1 piece) to transfer the lock status from the main to the secondary enclosures. For each secondary enclosure, one rod of the same size as the enclosure is required.

3 + 5 WTBP-001

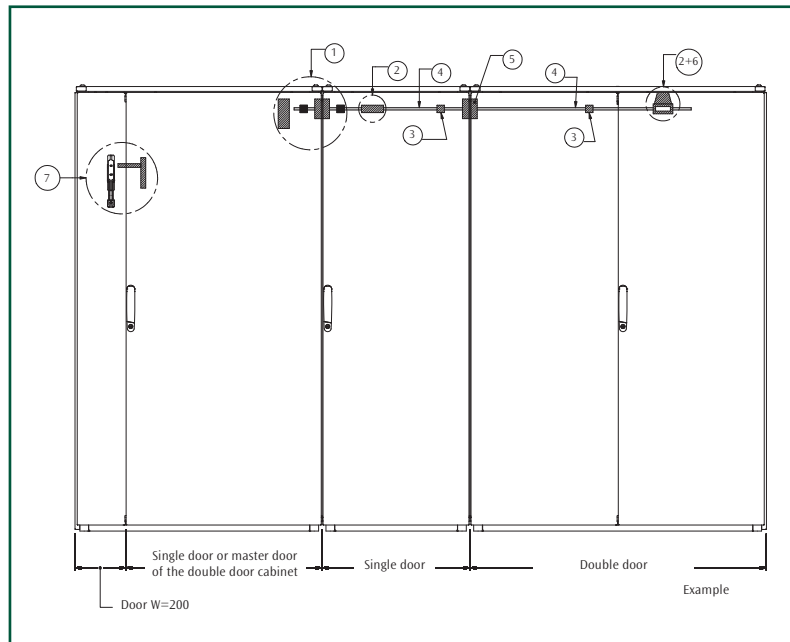
Rod joining blocks (5 pcs) and intermediate supports (5 pcs).

6 WTBP-001

Door block support for final enclosure. Consider one piece per battery.

8 WTBPB-002 (optional)

Safety kit for complete door closing. Consider one piece for each WTBPB-001.



DISCONNECTING SWITCH WTBP-001 (US VERSION)

Regulations for the US market prescribe a safety lock for a single enclosure or a set of flat-pack enclosures. The disconnecting switch can be installed only with the following models of main switches:

- 1494 V-H1 (operating lever) - Allen Bradley
- 9422 A1 - Square D
- Max Flex Series/ FHOH - ITE Siemens
- Type 1 and 2 – General Electric TDA.

7 WTBP-001

Safety lock for main door (for US). Consider one piece per cabinet.

For complete installation, a system with door lock for main enclosure, locks for secondary doors and transmission rods of the same width as the enclosure is required.

CHARACTERISTICS

Door lock parts manufactured from 2.5 mm thick galvanized sheet steel.

Note: for enclosures joined in a suite, the main enclosures that incorporate the disconnecting switches can be aligned only to the right (US version).

DOOR INTERLOCK WTBP-001

This mechanical door interlock allows the opening of the second door only when the main one is open.

CHARACTERISTICS

Manufactured from 2.0 mm thick zincpassivated sheet steel.

SUPPLY

Includes 1 piece supplied with mounting accessories.





Suite



CORNER CABINET

CHARACTERISTICS

Manufactured from 1.5 mm thick press bent sheet steel.

PAINT FINISH

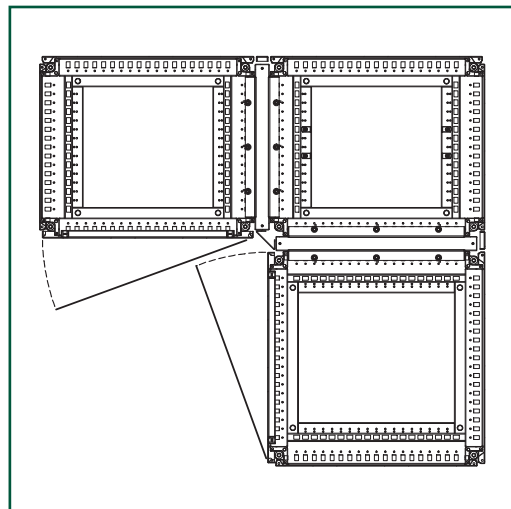
Colour: RAL 7035 textured finish.

SUPPLY

- joining frame
- removable front trim panel
- side trim panels
- gasket and mounting accessories.

PROTECTION RATING

- IP55 complying with IEC EN62208; EN60529
- NEMA 12 complying with UL508A; UL50
- impact resistance IK10 complying with IEC EN62208; EN62202.



Note: available on request.



FRAME JOINING KIT BACK TO BACK EUTP

CHARACTERISTICS

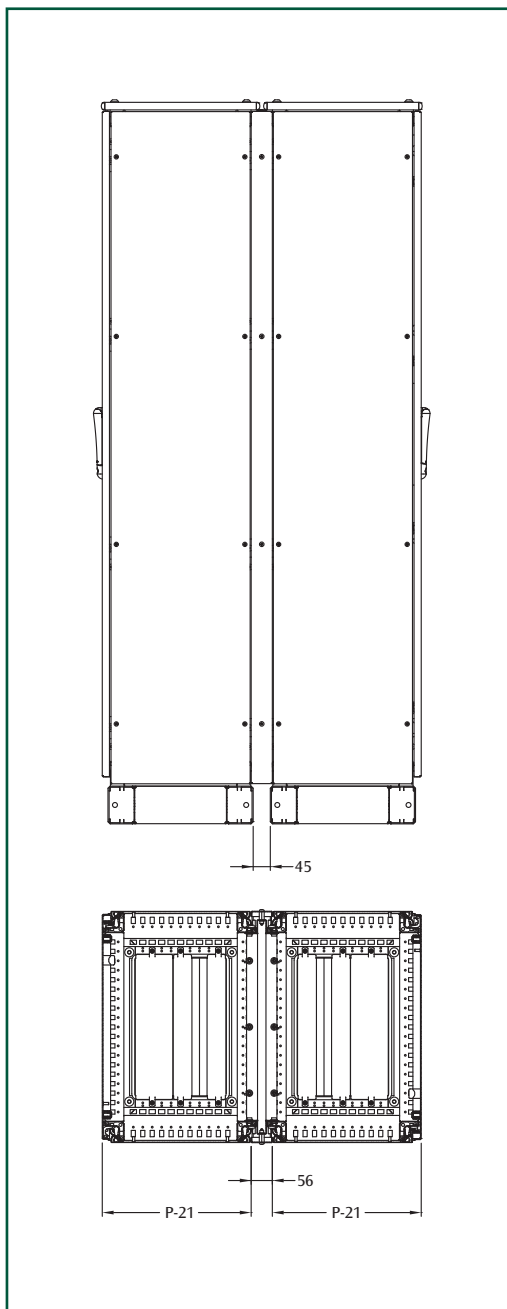
Special kit to join cabinets back to back, manufactured from 1.5 mm thick press bent sheet steel.

PAINT FINISH

Colour: RAL 7035 textured finish.

SUPPLY

- joining frame
- trim covers with gasket and mounting accessories.



FRAME JOINING KIT BACK TO BACK

EUTP CODE	CABINET DIMENSIONS	
	WIDTH	HEIGHT
EUTP060180	600	1800
EUTP080180	800	1800
EUTP120180	1200	1800
EUTP060200	600	2000
EUTP080200	800	2000
EUTP122000	1200	2000

DIMENSIONAL SPECIFICATIONS

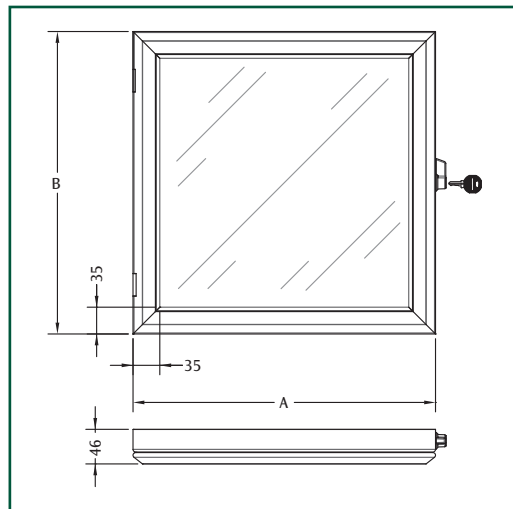
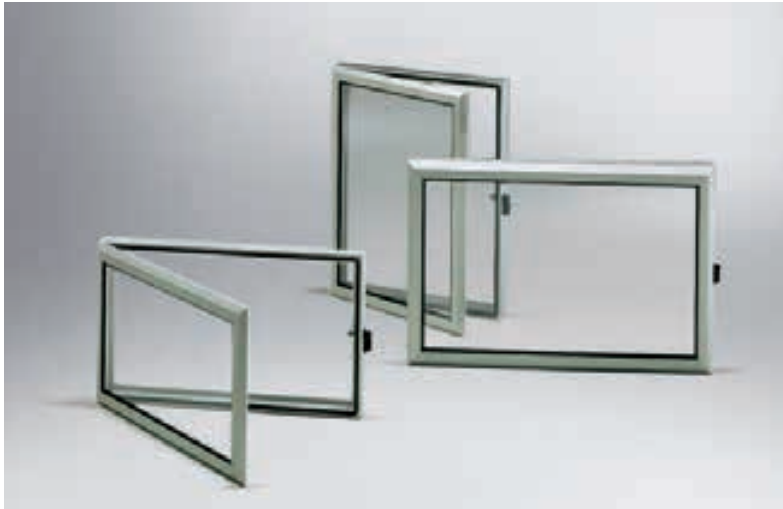
CABINET DEPTH	P
400	414
500	514
600	614
800	814
1000	1014

ALUMINIUM WINDOW WIPX

To be used to protect components mounted on the door. Manufactured from anodized aluminium with glazed panel and sealing gasket.

SUPPLY

Includes 1 piece.



ALUMINIUM WINDOW

WIPX CODE	A	B
WIPX-44	400	400
WIPX-55	500	500
WIPX-66	600	600

Note other dimensions available on request from 300x300.

DOOR RAIL WTTO

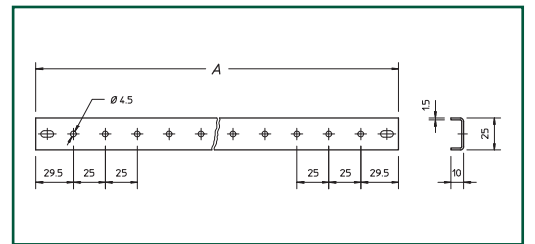
To be applied to the door stiffening frame to allow the fixing of cables or trunking.

CHARACTERISTICS

Manufactured from 1.5 mm thick sendzimir sheet steel.

SUPPLY

Includes 2 pieces complete with mounting accessories.



DOOR RAIL

WTTO CODE	CABINET WIDTH	A
WTTO-000400	400	284
WTTO-000600	600-1200	484
WTTO-000700	1400	584
WTTO-000800	800-1600	684
WTTO-001000	1000	884



PLAN POCKET WTTS

CHARACTERISTICS

Large size plan pocket manufactured from 1.5 mm thick sheet steel.

PAINT FINISH

Colour: RAL 7035.

SUPPLY

Includes 1 piece complete with mounting screws

PLAN POCKET	
WTTS CODE	CABINET WIDTH
WTTS000500	500
WTTS000600	600
WTTS000700	700
WTTS000800	800
WTTS001000	1000

DRAWING DESK WTRL

The desk provides a stable surface for documents, computer or measuring devices; it can be easily folded and locked within the door frame space. To be mounted directly onto the stiffening frame of E NUX blank doors.

CHARACTERISTICS

Manufactured from 1.5 mm thick sheet steel.

PAINT FINISH

ETA standard epoxy polyester powder coating. Colour: RAL 7035 textured finish.

SUPPLY

Includes 1 piece with mounting accessories.



DRAWING DESK	
WTRL CODE	CABINET WIDTH
WTRL000600	600
WTRL000800	800

PLAN POCKET WA050

A4 sheet size plan pocket manufactured from thermoplastic material.

SUPPLY

Includes 1 piece with double sided adhesive tape.

TRANSFORMER SUPPORT WTST

Manufactured from 2.5 mm thick press bent sendzimir sheet steel allowing the sliding of special nuts. The two rails and the nuts are adjustable, thus allowing easy fixing and positioning of transformers.

SUPPLY

Includes 2 rails with mounting accessories.



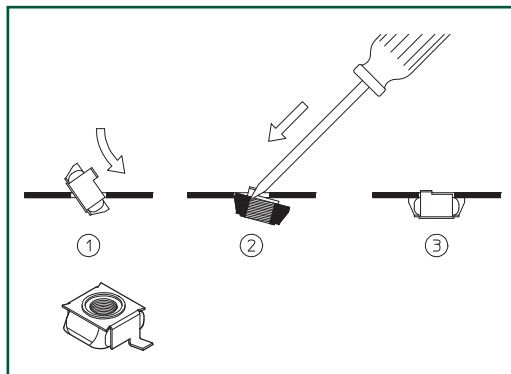
TRANSFORMER SUPPORT	
WTST CODE	CABINET WIDTH
WTST-000400	400
WTST-000600	600
WTST-000800	800
WTST-001000	1000
WTST-001200	1200
WTST-001400	1400
WTST-001600	1600

Note: for E NUX cabinet with medium/high loads, fast fixing brackets are suggested (please check on page 73).



CAGE NUTS M8 WTDA-001

Supply includes 20 pieces.



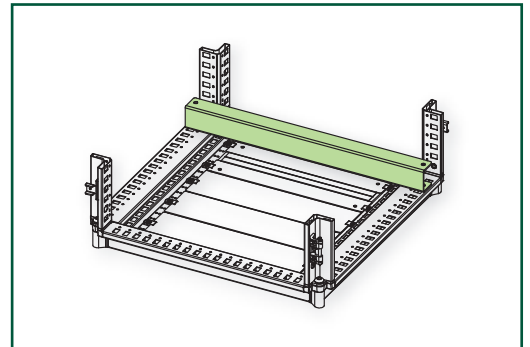
RAILS FOR CABLE FIXING WTTF

CHARACTERISTICS

Manufactured from 3.0 mm thick zincpassivated sheet steel.

SUPPLY

Includes 1 piece with mounting accessories.



RAILS FOR CABLE FIXING	
WTTF CODE	CABINET WIDTH
WTTF-000400	400
WTTF-000600	600
WTTF-000800	800
WTTF-001000	1000
WTTF-001200	1200
WTTF-001400	1400
WTTF-001600	1600



WA385

Special sliding nuts to fix transformer. Supply includes 4 nuts, screws and washers.

MARKER W17035

Easy to use, it is used for minor adjustment on painted surfaces. Colour: RAL 7035

CABLE HOLDING BAR WTSU-001

C-shaped drilled bar with 30x15 mm dimensions, to be mounted horizontally for anchoring and structured cabling.

CHARACTERISTICS

Manufactured from 2.0 mm thick sheet steel.

SUPPLY

Includes one piece (L=2000 mm). Exact length to be specified when ordering.

Note: supporting brackets WTSQ-001 for width < 800 or WTSQ-005 for width ≥ 1000 to be ordered separately.



SUPPORTING BRACKETS WTSQ-001

Required to fasten the WTSU cable holding bar to the back panel. Fully compatible with 25 mm pitch drilling, they can be used as universal supporting brackets.

CHARACTERISTICS

Manufactured from die-cast zinc alloy.

SUPPLY

Package with 2 pieces complete with screws (see A).

Note: for cabinet width ≥ 1000, order code WTSQ-005 (including 3 brackets and a compensation shim - see B).



Fig. A



Fig. B

CABLE CLAMPING BRACKET WTSM

To be applied onto WTSU cable holding bar.

CABLE CLAMPING BRACKET

WTSM CODE	CABLE Ø EXT. IN MM	SUPPLY
WTSM-016	16	10 pcs.
WTSM-032	32	10 pcs.
WTSM-052	52	5 pcs.
WTSM-082	82	5 pcs.



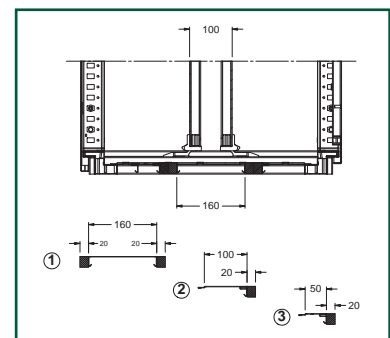
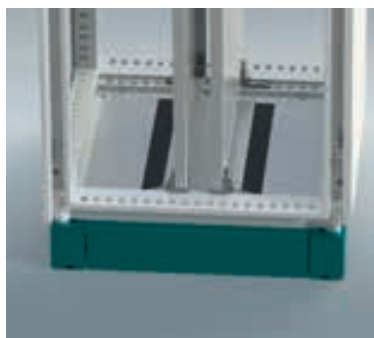
BASE PLATE FOR DOUBLE MOUNTING PLATE WTTG

CHARACTERISTICS

Manufactured from 1.0 mm thick sheet steel.

SUPPLY

Includes 1 piece complete with gasket. For double cable entry, supply includes 2 pieces complete with gasket.



BASE PLATE FOR DOUBLE MOUNTING PLATE

BASE PLATE	CABINET WIDTH						
	400	600	800	1000*	1200*	1400*	1600*
1 (D=160 MM)	WTTG-040160	WTTG-060160	WTTG-080160	WTTG-100160	WTTG-120160	WTTG-140160	WTTG-160160
2 (D=100 MM)	WTTG-040100	WTTG-060100	WTTG-080100	WTTG-100100	WTTG-120100	WTTG-140100	WTTG-160100
3 (D=50 MM)	WTTG-040050	WTTG-060050	WTTG-080050	WTTG-100050	WTTG-120050	WTTG-140050	WTTG-160050

* Cabinets with double cable entry

FLUORESCENT LAMP WTLA

The fluorescent lamps are characterized with electronic circuits that both increase the luminous emission and at the same time eliminate the stroboscopic effect of the traditional neon lamps. The electronic lamps WTLA last more than the neon and incandescent ones, so they are more efficient, convenient & energy savers and they comply better with the existing norms of the lighting systems. Up to 5 lamps can be mounted in a single cabinet.

CHARACTERISTICS

Casing in aluminium finishing, diffuser in methacrylate with switch.

SUPPLY

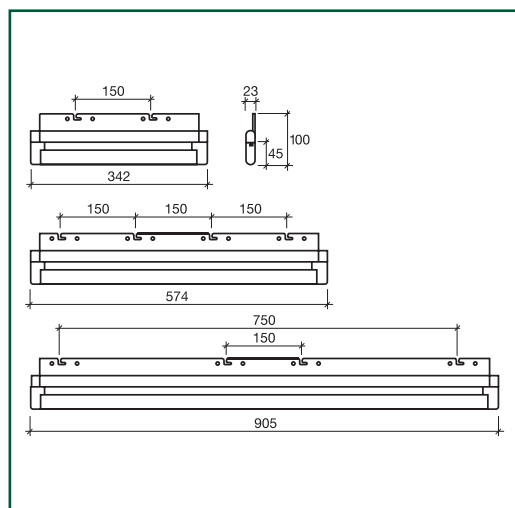
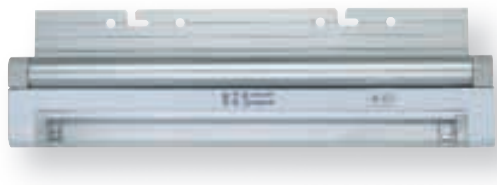
Includes 1 piece supplied with adjustable fixing brackets, mounting accessories and a bipolar connector for the wiring.

MARK



PROTECTION RATING

IP20.



FLUORESCENT LAMP

WTLA CODE	NOMINAL VOLTAGE FREQUENCY	POWER W	LENGTH MM
WTLA-050	220÷240V 50÷60Hz	8	342
WTLA-060	220÷240V 50÷60Hz	13	574
WTLA-065	110÷130V 60Hz	13	574
WTLA-070	220÷240V 50÷60Hz	21	905

FLUORESCENT LAMP WTLA-030/WTLA-035

Fluorescent lamp 11W, 230V nominal voltage, with SCHUKO style power suitable for all the cabinets and panels:

- the installation support is included and further devices can be used
- the lamp can be mounted with screws on narrow or large areas and it can be fixed to DIN profiles of 35 mm
- available on request without plug (WTLA-035).

MARK



Note fixing support WTSL-002 to be ordered separately.



LAMP SUPPORT WTSL-002

Manufactured from 1.5 mm thick sendzimir sheet steel.



MAGNETIC PLATE WTPM-001

Used in alternative when the space available for fixing the lamp is reduced.



POWER CONNECTOR WTCA-001

Power connector for lamp joined in sequence.

SUPPLY

Includes 1 piece with mounting accessories.

VDE OUTLET WTVD-001

For application on DIN profile.
Dimensions: W x H x D = 52 x 52 x 59.



MICROSWITCH WI100

Complying with IEC 337-VDE 0660.
Fast-installed thermoplastic support.

SUPPLY

Includes microswitch with support and mounting accessories.

CONFORMITY AND APPROVAL



CABINET MOUNTING KIT EUKM-001

Dynamometric key.



THREE-PHASE FLASHING SAFETY DEVICE WI105

The device indicates the power status of the distribution board and shows it visually by means of three high-yield LEDs. It is connected directly after the main switch and positioned so that it is clearly visible when the door is opened. Flashing indicates dangerous voltage. The electronic circuit based on SMD technology is optimized for multiple voltage RATING (110÷690V) both for single-phase and three-phase circuits. The safety device WI105 is also provided with electrically separated protection terminals to insulate the parts under voltage, suitable for large section wires (2.5 mm²) and with screw terminals up to 5mm diameter.

SUPPLY

- metal fixing bracket
- flashing device
- interlocking limit switch with NC contact for auxiliary circuits.

CONFORMITY AND APPROVAL



compliant with IEC 947-5-1 CEI 7.45 EN60947.5.1.

PROTECTION CLASS

II.



Note: upon request, a N.O. contact WI107 can be supplied separately.

CABINET MOUNTING KIT EUKM-004

Kit of 2 Allen wrenches (1 for dynamometric key and 1 for electric screwer).



Note: available on request:

- electric screwer with battery charger (EUKM-002)
- professional electric drill with battery charger (EUKM-003).

EXAMPLE

Cabinet dimensions 800 x 2000 x 600 (W x H x D) with blank front door and screwed rear panel, complete with mounting plate, side panels and plinth.

Suite

CODE		STRUCTURE
ENUX	0 8 2 0 0 6 P R	1 Indicative code
1	2 3 4 5	2 It shows the width of the cabinet
		3 It shows the height of the cabinet
		4 It shows the depth of the cabinet
		5 Suffix that shows the cabinet composition
		PR stands for the cabinet structure with front door and screwed rear panel.
		If a front glazed door is required, it is necessary to change the suffix PR with PV (ENUX082006PV). If blank doors are required in the front and in the rear, the suffix changes to DP (ENUX082006DP).
		Single packaging.

CODE		FRONT INSERTED MOUNTING PLATE
EUPA -	0 8 0 2 0 0	1 Indicative code
1	2 3	2 It shows the cabinet width
		3 It shows the cabinet height
		It shows a front inserted mounting plate.
		If a side inserted mounting plate is required, the code is EUPL-080200.
		Single packaging.
		WTKB - 002
		Mounting accessories for EUPA mounting plate (to be ordered separately).

CODE		SIDE PANELS (2 PIECES)
EUFI	0 6 0 2 0 0	1 Indicative code
1	2 3	2 It shows the depth of the cabinet
		3 It shows the height of the cabinet
		It shows two side panels complete with mounting accessories.
		Single packaging.

CODE		UNIVERSAL PLINTH EUZE
EUZE -	A 1 0 0	1 Indicative code
1	2	2 It shows the height of the plinth
		It shows the complete plinth H=100 mm, consisting in 3 different packages.
		It shows the corner pieces of the plinth H=100, complete with front covers and mounting accessories (supply includes 4 pieces).
EUZE -	T 0 8 0 0	1 Indicative code
1	2	2 It shows the cabinet/plinth width
		It shows the front crosspieces W=800 (supply includes 2 pieces).
EUZE -	T 0 6 0 0	1 Indicative code
1	2	2 It shows the cabinet/plinth depth
		It shows the side crosspieces D=600 (supply includes 2 pieces).
		If a 200 mm high plinth is required, the code of the corner plinth is EUZE-A200, for the front and side crosspieces H=200, please add D to the code (EUZE-T0800D and EUZE-T0600D).

Note: for E NUX SIMPLEX, see the specific section on page 42 and add the suffix L to the code of the cabinet (i.e. ENUX082006PRL) and the mounting plate (i.e. EUPA-080200L).

IN SUMMARY

CODES FOR AN ASSEMBLED E NUX		
1	ENUX082006PR	1 pc.
2	EUPA-080200	1 pc.
3	WTKB-002	1 pc.
4	EUFI060200	1 pc.
5	EUZE-A100	1 pc.
6	EUZE-T0800	1 pc.
7	EUZE-T0600	1 pc.
COMPLETE CABINET		

IN SUMMARY

CODES FOR AN ASSEMBLED E NUX SIMPLEX		
1	ENUX082006PRL	1 pc.
2	EUPA-080200L	1 pc.
3	WTKB-002	1 pc.
4	EUFI060200	1 pc.
5	EUZE-A100	1 pc.
6	EUZE-T0800	1 pc.
7	EUZE-T0600	1 pc.
COMPLETE CABINET		

EXAMPLE

Cabinet dimensions 800 x 2000 x 600 (W x H x D) with front blank door and screwed rear panel, complete with mounting plate, side panels and plinth.

<p>CODE</p> <p>EUTF 1 0 8 0 0 6 0</p> <p> 2 3</p>		<p>ROOF/BOTTOM</p> <p>1 Indicative code 2 It shows the width of the cabinet 3 It shows the depth of the cabinet</p>	<p>It shows roof and bottom pre-assembled. Single packaging complete with mounting screws.</p>
<p>CODE</p> <p>EUPO 1 0 8 0 2 0 0</p> <p> 2 3</p>		<p>FRONT BLANK DOOR</p> <p>1 Indicative code 2 It shows the width of the cabinet 3 It shows the height of the cabinet</p>	<p>It shows the blank door supplied with two uprights complete with pre-assembled hinges and closing latches. If a glazed door is required, the code is EUPV080200.</p> <p>Single packaging.</p>
<p>CODE</p> <p>EURE 1 0 8 0 2 0 0</p> <p> 2 3</p>		<p>REAR PANEL (SCREWED)</p> <p>1 Indicative code 2 It shows the width of the cabinet 3 It shows the height of the cabinet</p>	<p>It shows the screwed rear panel supplied with two uprights complete with pre-assembled blocks for fixing screws.</p> <p>Single packaging.</p>
<p>CODE</p> <p>EUPA - 1 0 8 0 2 0 0</p> <p> 2 3</p>		<p>FRONT INSERTED MOUNTING PLATE</p> <p>1 Indicative code 2 It shows the width of the cabinet 3 It shows the height of the cabinet</p>	<p>It shows a front inserted mounting plate. If a side inserted mounting plate is required, the code is EUPL-080200.</p> <p>Single packaging.</p> <p>WTKB - 002</p> <p>Mounting accessories of EUPA mounting plate (to be ordered separately).</p>
<p>CODE</p> <p>EUFI 1 0 6 0 2 0 0</p> <p> 2 3</p>		<p>SIDE PANELS (2 PIECES)</p> <p>1 Indicative code 2 It shows the depth of the cabinet 3 It shows the height of the cabinet</p>	<p>It shows the couple of the side panels complete with mounting accessories.</p> <p>Single packaging.</p>
<p>CODE</p> <p>EUZE - 1 A 1 0 0</p> <p> 2</p>		<p>UNIVERSAL PLINTH EUZE</p> <p>1 Indicative code 2 It shows the height of the plinth</p>	<p>It shows the complete plinth H=100mm, consisting in 3 different packages.</p> <p>It shows the corner pieces of the plinth H=100, complete with front covers and mounting accessories (supply includes 4 pieces)</p>
<p>EUZE - 1 T 0 8 0 0</p> <p> 2</p>		<p>1 Indicative code 2 It shows the cabinet/plinth width</p>	<p>It shows the front crosspieces W=800 (supply includes 2 pieces).</p>
<p>EUZE - 1 T 0 6 0 0</p> <p> 2</p>		<p>1 Indicative code 2 It shows the cabinet/plinth depth</p>	<p>It shows the side crosspieces D=600 (supply includes 2 pieces).</p> <p>If a 200 mm high plinth is required, the code of the corner plinth is EUZE-A200, for the front and side crosspieces H=200, please add D to the code (EUZE-T0800D and EUZE-T0600D).</p>

Note: for E NUX SIMPLEX, see the specific section on page 42 and add the suffix L to the code of the door (i.e. EUP0080200L) and the mounting plate (i.e. EUPA-080200L).

IN SUMMARY

CODES FOR A FLAT-PACK E NUX		
1	EUTF080060	1 pc.
2	EUPO080200	1 pc.
3	EURE080200	1 pc.
4	EUPA-080200	1 pc.
5	WTKB-002	1 pc.
6	EUFI060200	1 pc.
7	EUZE-A100	1 pc.
8	EUZE-T0800	1 pc.
9	EUZE-T0600	1 pc.
COMPLETE CABINET		

IN SUMMARY

CODES FOR A FLAT-PACK E NUX SIMPLEX		
1	EUTF080060	1 pc.
2	EUPO080200L	1 pc.
3	EURE080200	1 pc.
4	EUPA-080200L	1 pc.
5	WTKB-002	1 pc.
6	EUFI060200	1 pc.
7	EUZE-A100	1 pc.
8	EUZE-T0800	1 pc.
9	EUZE-T0600	1 pc.
COMPLETE CABINET		

Monobloc



ETA QUALITY, PROMPTLY

ETA introduces E MOX, the range of monobloc enclosure solutions proposed as the effective combination of strength and modularity.

E MOX - offered with a particular front and rear aesthetic profile to comply with E NUX style - is built up with a unique symmetric monobloc structure with top, bottom and side panels welded, and front door provided with an innovative lever-operated latch system.

E MOX is completely compatible with E NUX standard range of accessories: it can be completely customized thanks to the assembly of specific vertical uprights, which allow creating the same inner spaces of E NUX modular cabinet system.

The product philosophy that led the design of E MOX is based on the concepts of time and space, in order to provide the end user with the maximum advantage in terms of optimization and saving.

Time: because E MOX is a unique cabinet completely welded, with mounting plate included in the supply and available in 27 standard dimensions. Time: because E MOX is totally compatible with E NUX cabinets in terms of standard components (doors, rear panels, base plates, mounting plate) and inner accessories (profiles, brackets, partial mounting plates, etc).

Time: because E MOX is a monobloc shell with modular options.

BENEFITS

Aesthetic profile and new colour	Design
Symmetric monobloc structure	Strength
Possibility of creating inner E NUX structure	Modularity
Standard E NUX accessories	Compatibility
Innovative latch system	Functionality
Perfect adherence to industry standards	Safety



e mox

MONOBLOC CABINETS

FEATURES

- 1 Unique symmetric monobloc structure with top, bottom and side panels welded.
- 2 Front and rear aesthetic profiles to comply with E NUX style.
- 3 Removable rear panel and possibility to assemble rear door (E NUX door and rear panel).
- 4 Lifting with 2 eyebolts.
- 5 Front inserted mounting plate (EUPA) included in the supply.
- 6 Innovative opening system with a unique lever mechanism, unique design and:
3-point locking for H=1600
4-point locking for H=1800/2000
with possibility to mount different inserts.

- 7 Effective sliding guides system integrated in the bottom.
 - 8 Modular cable entry bottom with adjustable base plates and gasket.
 - 9 Reversible door with stiffening frame.
 - 10 Vertical uprights available as accessories to create the same inner structure of E NUX cabinet.
 - 11 Wide range of standard accessories of E NUX system (door, rear panel, mounting plate, complementary accessories).
 - 12 Differentiated colour impact: RAL7035 for the cabinet and new colour RAL5020 matched with aesthetic profiles, handle and plinth.
 - 13 Easy-to-assemble modular plinth EUZE.
- Protection rating: IP66 (single door), IP55 (double door) - Nema 12 - IK10.





MONOBLOC CABINETS

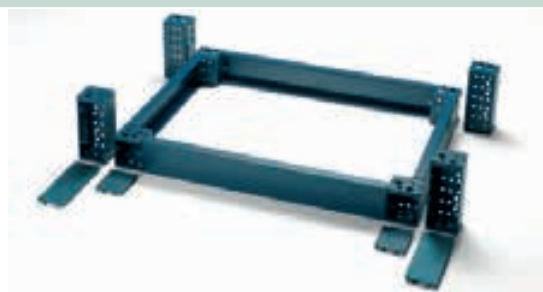
Monobloc

IMAGES ARE ONLY INTENDED TO ILLUSTRATE THE PRODUCT

E MOX



ACCESSORIES



DIMENSIONS W x H x D	CABINET WITH BLANK DOOR (1)	CABINET WITH PLEXI DOOR (2)	PLINTH H=100 UNIVERSAL CORNER PIECES (3)	PLINTH H=100 FRONT CROSSPIECES (4)	PLINTH H=100 SIDE CROSSPIECES (5)
600 x 1600 x 400	EMOX061604PR	EMOX061604PV	EUZE-A100	EUZE-T0600	EUZE-T0400M
600 x 1800 x 400	EMOX061804PR	EMOX061804PV	EUZE-A100	EUZE-T0600	EUZE-T0400M
600 x 1800 x 500	EMOX061805PR	EMOX061805PV	EUZE-A100	EUZE-T0600	EUZE-T0500M
600 x 2000 x 400	EMOX062004PR	EMOX062004PV	EUZE-A100	EUZE-T0600	EUZE-T0400M
600 x 2000 x 500	EMOX062005PR	EMOX062005PV	EUZE-A100	EUZE-T0600	EUZE-T0500M
800 x 1600 x 400	EMOX081604PR	EMOX081604PV	EUZE-A100	EUZE-T0800	EUZE-T0400M
800 x 1800 x 400	EMOX081804PR	EMOX081804PV	EUZE-A100	EUZE-T0800	EUZE-T0400M
800 x 1800 x 500	EMOX081805PR	EMOX081805PV	EUZE-A100	EUZE-T0800	EUZE-T0500M
800 x 2000 x 400	EMOX082004PR	EMOX082004PV	EUZE-A100	EUZE-T0800	EUZE-T0400M
800 x 2000 x 500	EMOX082005PR	EMOX082005PV	EUZE-A100	EUZE-T0800	EUZE-T0500M
1000 x 1600 x 400	EMOX101604PR	EMOX101604PV	EUZE-A100	EUZE-T1000	EUZE-T0400M
1000 x 1800 x 400	EMOX101804PR	EMOX101804PV	EUZE-A100	EUZE-T1000	EUZE-T0400M
1000 x 1800 x 500	EMOX101805PR*	EMOX101805PV	EUZE-A100	EUZE-T1000	EUZE-T0500M
1000 x 2000 x 400	EMOX102004PR*	EMOX102004PV	EUZE-A100	EUZE-T1000	EUZE-T0400M
1000 x 2000 x 500	EMOX102005PR	EMOX102005PV	EUZE-A100	EUZE-T1000	EUZE-T0500M
1200 x 800 x 400	EMOX120804PR		EUZE-A100	EUZE-T1200	EUZE-T0400M
1200 x 1000 x 400	EMOX121004PR		EUZE-A100	EUZE-T1200	EUZE-T0400M
1200 x 1600 x 400	EMOX121604PR		EUZE-A100	EUZE-T1200	EUZE-T0400M
1200 x 1800 x 400	EMOX121804PR		EUZE-A100	EUZE-T1200	EUZE-T0400M
1200 x 1800 x 500	EMOX121805PR*		EUZE-A100	EUZE-T1200	EUZE-T0500M
1200 x 2000 x 400	EMOX122004PR*		EUZE-A100	EUZE-T1200	EUZE-T0400M
1200 x 2000 x 500	EMOX122005PR		EUZE-A100	EUZE-T1200	EUZE-T0500M
1400 x 1000 x 400	EMOX141004PR		EUZE-A100	EUZE-T1400	EUZE-T0400M
1600 x 1000 x 400	EMOX161004PR*		EUZE-A100	EUZE-T1600	EUZE-T0400M
1600 x 1800 x 400	EMOX161804PR		EUZE-A100	EUZE-T1600	EUZE-T0400M
1600 x 2000 x 400	EMOX162004PR		EUZE-A100	EUZE-T1600	EUZE-T0400M
1800 x 1000 x 400	EMOX181004PR		EUZE-A100	EUZE-T1800	EUZE-T0400M

- (1) supply includes cabinet with welded side panels, removable rear panel, blank door and EUPA front inserted mounting plate. To be ordered separately plinth and WTGS-003 eyebolts.
- (2) supply includes cabinet with welded side panels, removable rear panel, plexi door and EUPA front inserted mounting plate. To be ordered separately plinth and WTGS-003 eyebolts.
- (3) supply includes 4 pieces
- (4) supply included 2 pieces
- (5) supply includes 2 pieces
- (*) Horizontal version



CHARACTERISTICS

Enclosure manufactured from 1.5 mm thick sheet steel with removable rear panel. Door manufactured from 2.0 mm thick sheet steel with stiffening frame.

PAINT FINISH

ETA standard epoxy polyester powder coating
 Structure and door: RAL 7035 textured finish.
 Aesthetic profiles: RAL 5020 textured finish.

Monobloc

SUPPLY

- structure complete with aesthetic profiles and rear panel.
- 2.0 mm thick sheet steel door, with stiffening frame and complete with \varnothing 3 mm lever-operated double bar locking system
- adjustable cable entry
- mounting plate manufactured from 2.5 mm thick sendzimir sheet steel (for E MOX W=1000, EUPA 3.0 mm thick).

PROTECTION RATING

- IP66 complying with IEC EN62208; EN60529
- NEMA 12 complying with UL508A; UL50
- protection degree guaranteed by the two-component polyurethane foam seal
- impact resistance IK10 complying with IEC EN62208, EN62202.

Note: in case it is necessary to replace the mounting plate EUPA, you have to use the codes on page 52.



Universal plinth EUZE, see page 98

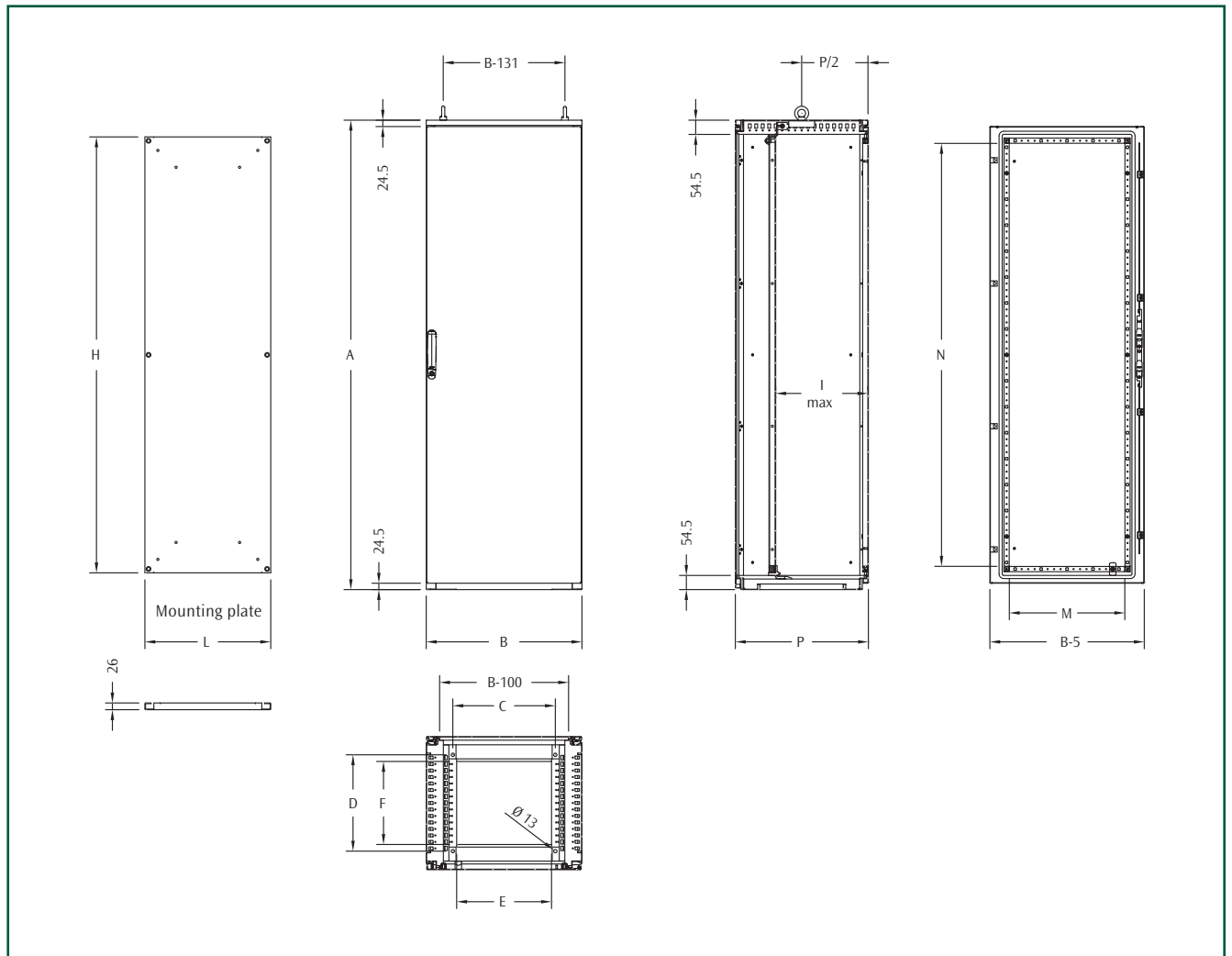


Eyebolts, see page 99



Internal uprights, see page 99

Monobloc



DIMENSIONAL SPECIFICATIONS

DIMENSIONS			CABINET DIMENSIONS			FLOOR FIXING		CABLE ENTRY		DOOR SPACE		MOUNTING PLATE DIM.		
WIDTH	HEIGHT	DEPTH	B	A	P	C	D	E	F	M	N	L	H	I
600	1600	400	600	1609	414	395	271	365	220	445	1430	485	1480	350
600	1800	400	600	1809	414	395	271	365	220	445	1630	485	1680	350
600	1800	500	600	1809	514	395	371	365	320	445	1630	485	1680	450
600	2000	400	600	2009	414	395	271	365	220	445	1830	485	1880	350
600	2000	500	600	2009	514	395	371	365	320	445	1830	485	1880	450
800	1600	400	800	1609	414	595	271	565	220	645	1430	685	1480	350
800	1800	400	800	1809	414	595	271	565	220	645	1630	685	1680	350
800	1800	500	800	1809	514	595	371	565	320	645	1630	685	1680	450
800	2000	400	800	2009	414	595	271	565	220	645	1830	685	1880	350
800	2000	500	800	2009	514	595	371	565	320	645	1830	685	1880	450
1000	1600	400	1000	1609	414	795	271	765	220	845	1430	885	1480	350
1000	1800	400	1000	1809	414	795	271	765	220	845	1630	885	1680	350
1000	1800	500	1000	1809	514	795	371	765	320	845	1630	885	1680	450
1000	2000	400	1000	2009	414	795	271	765	220	845	1830	885	1880	350
1000	2000	500	1000	2009	514	795	371	765	320	845	1830	885	1880	450

600			CABINET CODES	
DIMENSIONS			CABINET WITH BLANK DOOR	CABINET WITH PLEXI DOOR
WIDTH	HEIGHT	DEPTH		
600	1600	400	EMOX061604PR	EMOX061604PV
600	1800	400	EMOX061804PR	EMOX061804PV
600	1800	500	EMOX061805PR	EMOX061805PV
600	2000	400	EMOX062004PR	EMOX062004PV
600	2000	500	EMOX062005PR	EMOX062005PV

Monobloc

800			CABINET CODES	
DIMENSIONS			CABINET WITH BLANK DOOR	CABINET WITH PLEXI DOOR
WIDTH	HEIGHT	DEPTH		
800	1600	400	EMOX081604PR	EMOX081604PV
800	1800	400	EMOX081804PR	EMOX081804PV
800	1800	500	EMOX081805PR	EMOX081805PV
800	2000	400	EMOX082004PR	EMOX082004PV
800	2000	500	EMOX082005PR	EMOX082005PV

1000			CABINET CODES	
DIMENSIONS			CABINET WITH BLANK DOOR	CABINET WITH PLEXI DOOR
WIDTH	HEIGHT	DEPTH		
1000	1600	400	EMOX101604PR	EMOX101604PV
1000	1800	400	EMOX101804PR	EMOX101804PV
1000	1800	500	EMOX101805PR	EMOX101805PV
1000	2000	400	EMOX102004PR	EMOX102004PV
1000	2000	500	EMOX102005PR	EMOX102005PV

Note: to order the inner door, see the EUPI code on page 62.



Monobloc



CHARACTERISTICS

Enclosure manufactured from 1.5 mm thick sheet steel with removable rear panel. Double door manufactured from 2.0 mm thick sheet steel with stiffening frame.

PAINT FINISH

ETA standard epoxy polyester powder coating. Structure and door: RAL 7035 textured finish. Aesthetic profiles: RAL 5020 textured finish.

SUPPLY

- structure complete with aesthetic profiles and rear panel
- 2.0 mm thick sheet steel double door, with stiffening frame and complete with ø 3 mm lever-operated double bar locking system
- adjustable cable entry
- mounting plate manufactured from 3.0 mm thick sendzimir sheet steel.

PROTECTION RATING

- IP55 complying with IEC EN62208; EN60529
- NEMA 12 complying with UL508A; UL50
- protection degree guaranteed by the two-component polyurethane foam seal
- impact resistance IK10 complying with IEC EN62208, EN62202.

Note: in case it is necessary to replace the mounting plate EUPA, you have to use the codes on page 52.



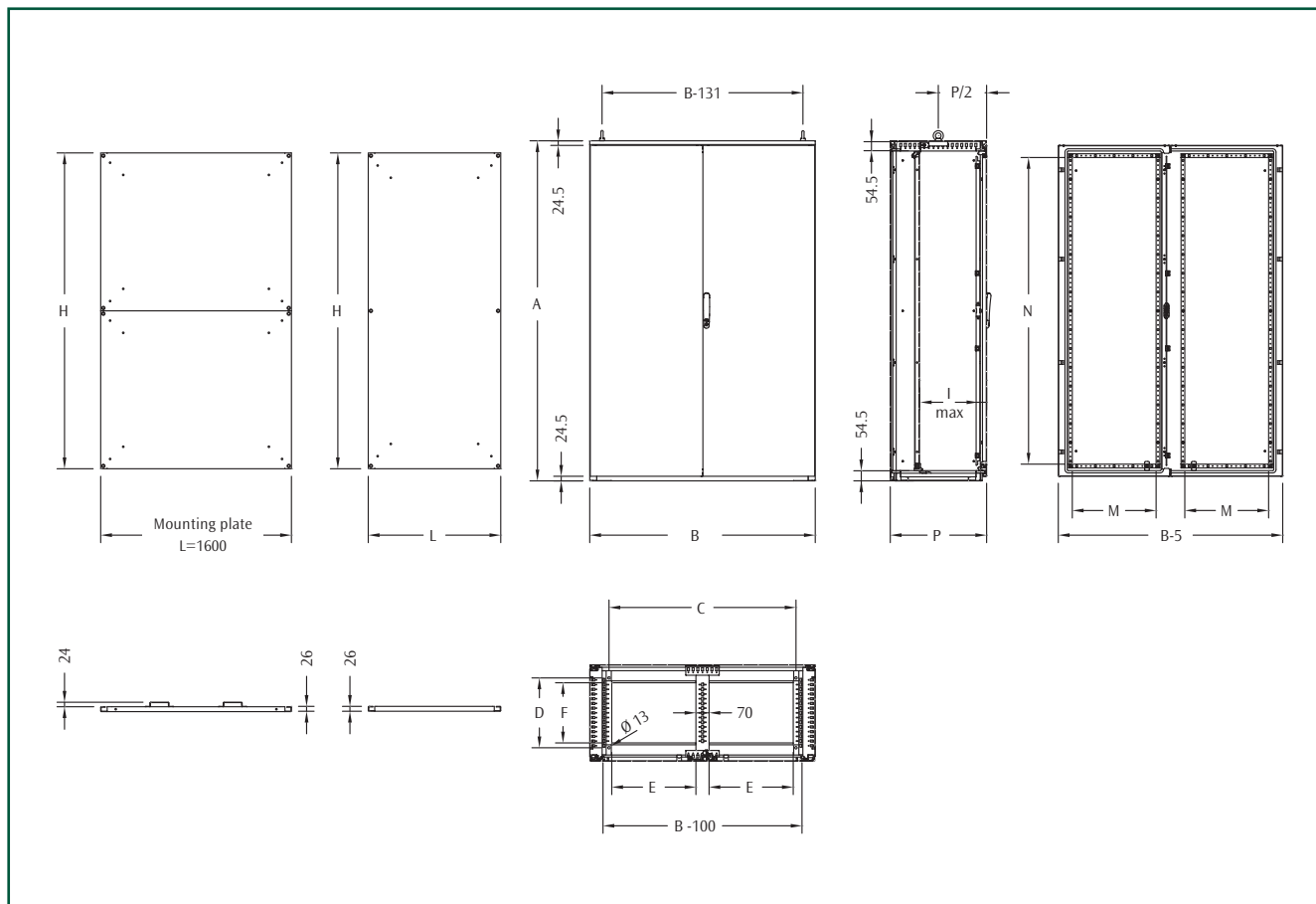
Universal plinth EUZE, see page 98



Eyebolts, see page 99



Internal uprights, see page 99



Monobloc

DIMENSIONAL SPECIFICATIONS

DIMENSIONS			CABINET DIMENSIONS			FLOOR FIXING		CABLE ENTRY		DOOR SPACE		MOUNTING PLATE DIM.		
WIDTH	HEIGHT	DEPTH	B	A	P	C	D	E	F	M	N	L	H	I
1200	1600	400	1200	1609	414	995	271	447	220	445	1430	1085	1480	350
1200	1800	400	1200	1809	414	995	271	447	220	445	1630	1085	1680	350
1200	1800	500	1200	1809	514	995	371	447	320	445	1630	1085	1680	450
1200	2000	400	1200	2009	414	995	271	447	220	445	1830	1085	1880	350
1200	2000	500	1200	2009	514	995	371	447	320	445	1830	1085	1880	450
1600	1800	400	1600	1809	414	1395	271	647	220	645	1630	1485	1680	350
1600	2000	400	1600	2009	414	1395	271	647	220	645	1830	1485	1880	350

1200

CABINET CODES

DIMENSIONS			CABINET WITH BLANK DOOR		
WIDTH	HEIGHT	DEPTH			
1200	1600	400	EMOX121604PR		
1200	1800	400	EMOX121804PR		
1200	1800	500	EMOX121805PR		
1200	2000	400	EMOX122004PR		
1200	2000	500	EMOX122005PR		

1600

CABINET CODES

DIMENSIONS			CABINET WITH BLANK DOOR		
WIDTH	HEIGHT	DEPTH			
1600	1800	400	EMOX161804PR		
1600	2000	400	EMOX162004PR		



Monobloc



CHARACTERISTICS

Enclosure manufactured from 1.5 mm thick sheet steel with removable rear panel. Double door manufactured from 2.0 mm thick sheet steel with stiffening frame.

PAINT FINISH

ETA standard epoxy polyester powder coating. Structure and door: RAL 7035 textured finish. Aesthetic profiles: RAL 5020 textured finish.

SUPPLY

- structure complete with aesthetic profiles and rear panel
- 2.0 mm thick sheet steel double door, with stiffening frame and complete with ø 3 mm lever-operated double bar locking system
- adjustable cable entry
- mounting plate manufactured from 3.0 mm thick sendzimir sheet steel.

PROTECTION RATING

- IP55 complying with IEC EN62208; EN60529
- NEMA 12 complying with UL508A; UL50
- protection degree guaranteed by the two-component polyurethane foam seal
- impact resistance IK10 complying with IEC EN62208, EN62202.

Note: in case it is necessary to replace the mounting plate EUPA, you have to use the codes on page 52.



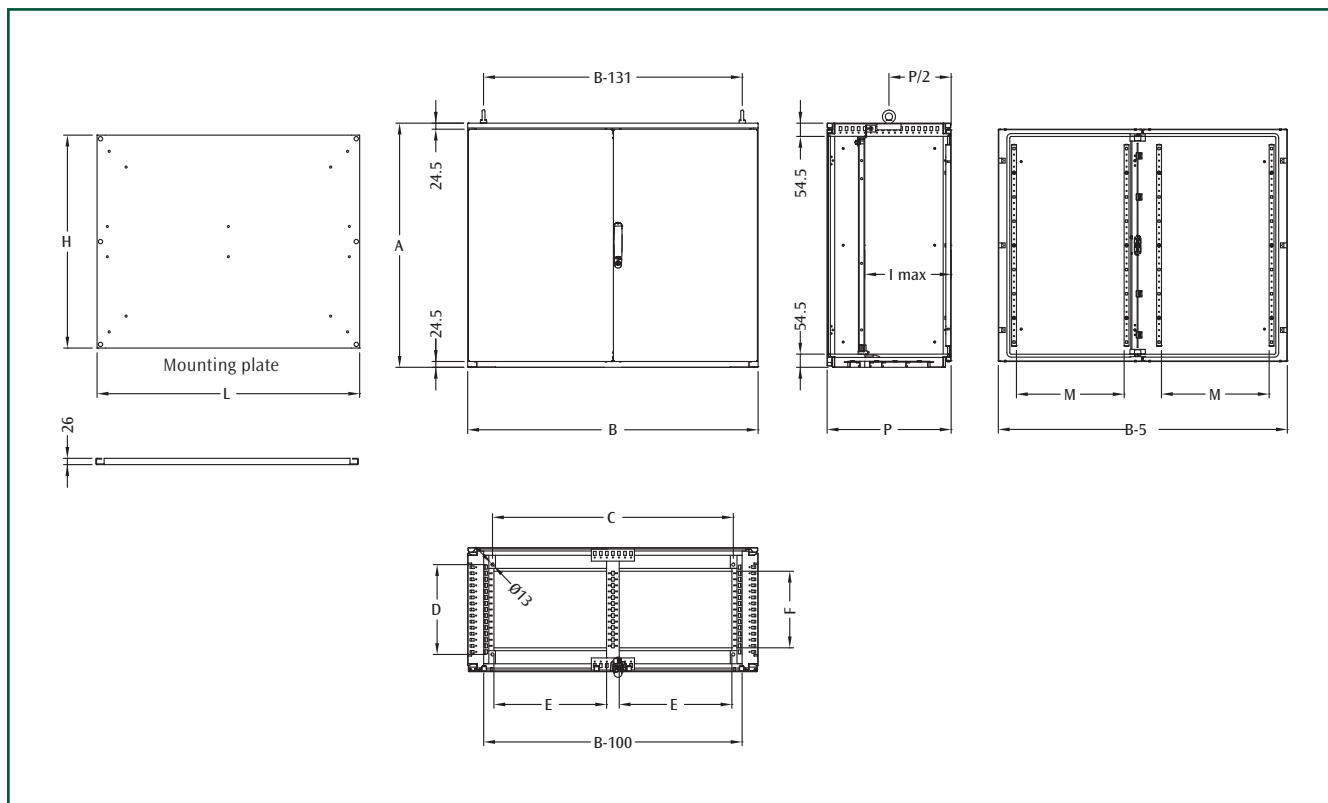
Universal plinth EUZE, see page 98



Eyebolts, see page 99



Internal uprights, see page 99



DIMENSIONAL SPECIFICATIONS

DIMENSIONS			CABINET DIMENSIONS			FLOOR FIXING		CABLE ENTRY		DOOR SPACE	MOUNTING PLATE DIM.		
WIDTH	HEIGHT	DEPTH	B	A	P	C	D	E	F	M	L	H	I (MAX)
1200	800	400	1200	809	414	995	271	447	220	445	1085	680	350
1200	1000	400	1200	1009	414	995	271	447	220	445	1085	880	350
1400	1000	400	1400	1009	414	1195	271	547	220	545	1285	880	350
1600	1000	400	1600	1009	414	1395	271	647	220	645	1485	880	350
1800	1000	400	1800	1009	414	1595	271	747	220	745	1685	880	350

CABINET CODE

DIMENSIONS			CABINET WITH BLANK DOOR										
WIDTH	HEIGHT	DEPTH											
1200	800	400	EMOX120804PR										
1200	1000	400	EMOX121004PR										
1400	1000	400	EMOX141004PR										
1600	1000	400	EMOX161004PR										
1800	1000	400	EMOX181004PR										

Note: in case it is necessary to replace the mounting plate EUPA, you have to use the codes here below.

SPARE FRONT-INSERTED MOUNTING PLATE

EUPA CODE	CABINET DIMENSIONS			MOUNTING PLATE DIM.		
	B	A	P	L	H	I (MAX)
EUPA-120080	1200	809	395	1085	680	350
EUPA-120100	1200	1009	395	1085	880	350
EUPA-140100	1400	1009	395	1285	880	350
EUPA-160100	1600	1009	395	1485	880	350
EUPA-180100	1800	1009	395	1685	880	350

Note: mounting plate EUPA for E MOX horizontal version is supplied in one piece.

Monobloc



MODULAR PLINTH EUZE

CHARACTERISTICS

Corner pieces manufactured from 2.5 mm thick press bent sheet steel, with PVC front covers caps. Front and side crosspieces manufactured from 2.0 mm thick press bent sheet steel.

PAINT FINISH

ETA standard epoxy polyester powder coating. Colour: RAL 5020 textured finish.

SUPPLY

- The modular plinth is made up of:
- corner pieces: supply includes 4 pieces complete with front covers and mounting hardware
 - front crosspieces: supply includes 2 pieces
 - side crosspieces: supply includes 2 pieces.

UNIVERSAL CORNER PIECES

EUZE CODE	DESCRIPTION
EUZE-A100	CORNER PIECES FOR PLINTH H=100
EUZE-A200	CORNER PIECES FOR PLINTH H=200

Note supply includes 4 pieces with mounting accessories.

FRONT CROSSPIECES

EUZE CODE	DESCRIPTION	CROSS. LENGTH MM
EUZE-T0600	PLINTH FRONT CROSSPIECES W=600	444
EUZE-T0800	PLINTH FRONT CROSSPIECES W=800	644
EUZE-T1000	PLINTH FRONT CROSSPIECES W=1000	844
EUZE-T1200	PLINTH FRONT CROSSPIECES W=1200	1044
EUZE-T1400	PLINTH FRONT CROSSPIECES W=1400	1244
EUZE-T1600	PLINTH FRONT CROSSPIECES W=1600	1444
EUZE-T1800	PLINTH FRONT CROSSPIECES W=1800	1644

Note: supply includes 2 pieces.

Note: to order the front crosspieces H=200, add the suffix "D" to the code. (I.e.: EUZE-T0600D).

E MOX SIDE CROSSPIECES

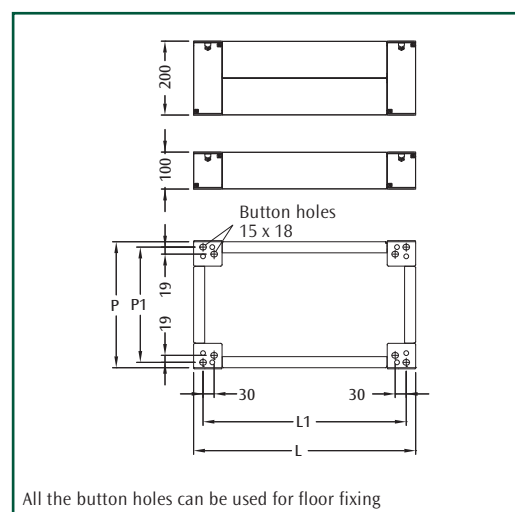
EUZE CODE	DESCRIPTION	CROSS. LENGTH MM
EUZE-T0400M	SIDE CROSSPIECES D=400	218
EUZE-T0500M	SIDE CROSSPIECES D=500	318

Note: supply includes 2 pieces.

Note: to order the side crosspieces H=200, add the suffix "D" to the code. (I.e.: EUZE-T0400MD).

DIMENSIONAL SPECIFICATIONS

DIMENSIONS		PLINTH DIMENSIONS		CENT. DISTANCES	
WIDTH	DEPTH	L	P	L1	P1
600	400	600	353	549	324
600	500	600	453	549	424
800	400	800	353	749	324
800	500	800	453	749	424
1000	400	1000	353	949	324
1000	500	1000	453	949	424
1200	400	1200	353	1149	324
1200	500	1200	453	1149	424
1400	400	1400	353	1349	324
1600	400	1600	353	1549	324
1800	400	1800	353	1749	324



COMPATIBILITY WITH E NUX SYSTEM AND ETA ACCESSORIES:

- E NUX blank door, plexi door, rear panel
- mounting plate EUPA
- partial mounting plate EUPR, see page 59
- inner door EUPI, see page 62
- locking system WE, see page 64
- E NUX complementary accessories (i.e.: profiles H=50 mm WTPR and fast fixing brackets, door frame, drawing desk WTRL, plan pocket...) for inner mounting.

RAIN CANOPY EMTT

Ideal solution for outdoor installations where you need extra protection from atmospheric agents. We recommend the use of a special polyester painting for outdoor applications.

CHARACTERISTICS

Manufactured from 1.5 mm thick sheet steel.

PAINT FINISH

ETA standard epoxy polyester powder coating. Colour: RAL 5020 textured finish.

SUPPLY

Includes 1 piece with mounting accessories.

Note: available on request rain canopy with different inclinations and angles.



INNER UPRIGHTS EUMI

Ideal solution to replicate the inside of the monobloc (E NUX) cabinet allowing the assembly of standard accessories including:

- partial mounting plates
- WTPR mounting rails
- 19" accessories
- shelves
- partial swing frames

CHARACTERISTICS

Manufactured from 1.5 thick sendzimir sheet steel.

SUPPLY

Includes 2 pieces with mounting accessories.

INNER UPRIGHTS

EUMI CODE	CABINET HEIGHT
EUMI000800	800
EUMI001000	1000
EUMI001600	1600
EUMI001800	1800
EUMI002000	2000



180° DOOR HINGES EUCE-180004

CHARACTERISTICS

Manufactured from pressed zama.

PAINT FINISH

Colour: RAL 5020 smooth finish.

SUPPLY

Includes 3 pieces.

MICROSWITCH WI100

Complying with standards IEC 337-VDE 0660.

SUPPLY

Includes microswitch, mounting bracket and screws.

CONFORMITY AND APPROVAL



Note: for assembly on E MOX cabinet provided with EUMI uprights, please order WI100M.

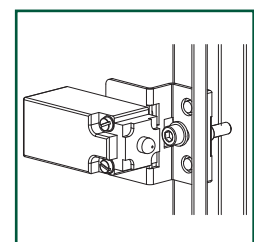


WTGS-003

Zincpassivated M12 lifting eyebolts.

SUPPLY

Includes 2 pieces with nuts and washers.



Compact



ETA QUALITY, STURDY

E COMP represents the ideal solution to meet the need of a compact solution for both free-standing and wall-mounting applications.

The concept of E COMP make it available as the “link” between the E MOX monobloc cabinets and the ST wall-mounting boxes: E COMP has been designed for applications requiring a free-standing cabinet smaller than E MOX or a wall-mounting box larger than our ST.

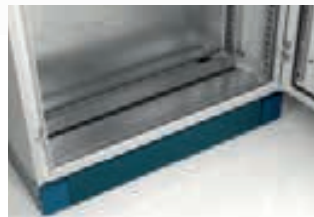
E COMP is perfectly compatible with ETA solutions, thanks to the advanced design, the differentiated colour impact, the innovative latching system. E COMP - featured with solidity and ergonomic design - is provided with modular cable entry and fits with ETA standard accessories.

BENEFITS

Aesthetic profile and new colour	Design
Compact solution for free-standing or wall-mounting applications	Solidity
Functional and ergonomic compatibility with new ETA product philosophy	Integration
Innovative latch system	Functionality
Perfect adherence to industry standards	Safety



Compact



e comp

COMPACT ENCLOSURE

FEATURES

- 1 Visual uniformity with monobloc range E MOX and suite cabinets E NUX.
- 2 Completely welded enclosure.
- 3 Lifting with 2 eyebolts (same of E MOX cabinet) or wall-mounting with brackets (same of ST boxes).
- 4 3-points locking system with the possibility of mounting different inserts.
- 5 Front inserted mounting plate included in the supply.
- 6 Door with reinforcement sendzimir profiles provided with a centre-to-centre distance that is identical to the one of the E NUX door, for the fixation of the same rail.
- 7 Possibility to assemble vertical/horizontal profiles and fast-fixing brackets.
- 8 Modular cable entry bottom with adjustable base plates and seal.
- 9 Easy installation of the mounting plate and effective sliding thanks to specific guides.
- 10 Differentiated colour impact: RAL 7035 for the cabinet and new colour RAL 5020 matched with aesthetic profile, handle and plinth.
- 11 Fitting with ETA range of accessories and easy-to-assemble modular plinth EUZE.

Protection rating: IP55 - Nema 12 - IK10.





Compact

CHARACTERISTICS

Enclosure manufactured from 1.5 mm thick sheet steel. Door manufactured from 2.0 mm thick sheet steel. Mounting plate manufactured from 2.5 mm thick sendzimir sheet steel.

PAINT FINISH

ETA standard epoxy polyester powder coating.
Enclosure and door: colour RAL 7035 textured finish.
Aesthetic profile: colour RAL 5020 textured finish.

SUPPLY

- Enclosure supplied with:
- front aesthetic profile
 - door with 2 stiffening sendzimir profiles and ø 3 mm double bar locking system
 - adjustable cable entry
 - front-inserted mounting plate.

PROTECTION RATING

- IP55 according to IEC EN62208; EN60529
- NEMA 12 according to UL508A; UL50
- protection degree guaranteed by the two-component polyurethane foam
- impact resistance IK10 complying with IEC EN62208; EN62202.



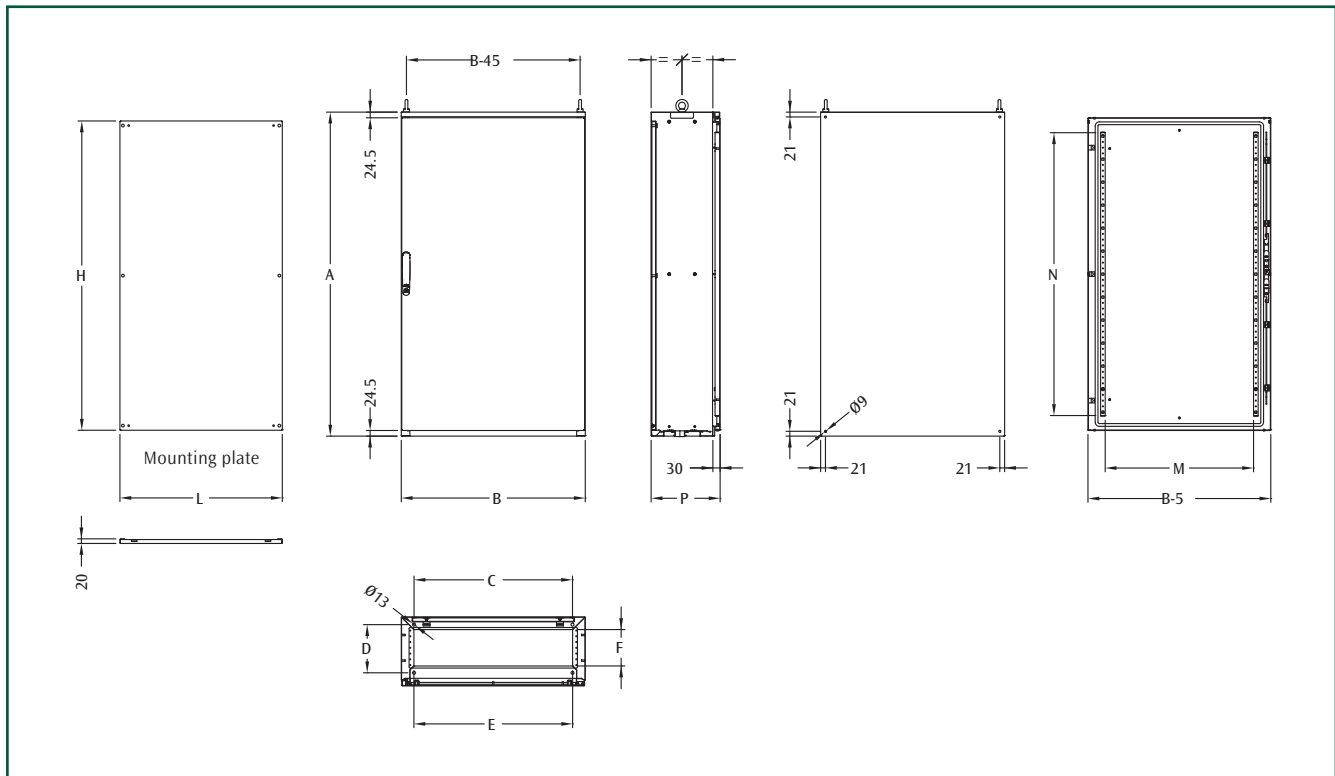
Universal plinth EUZE, see page 106



Eyebolts, see page 107



Wall-mounting brackets, see page 107



Compact

DIMENSIONAL SPECIFICATIONS

E COMP CODE	CABINET DIMENSIONS			FLOOR FIXING		CABLE ENTRY		DOOR SPACE		M. PLATE DIM.	
	B	A	P	C	D	E	F	M	N	L	H
ECOMP61240	600	1209	400	489	310	490	260	445	1030	506	1145
ECOMP61430	600	1409	300	489	210	490	160	445	1230	506	1345
ECOMP61440	600	1409	400	489	310	490	260	445	1230	506	1345
ECOMP81240	800	1209	400	689	210	690	260	645	1030	706	1145
ECOMP81430	800	1409	300	689	310	690	160	645	1230	706	1345
ECOMP81440	800	1409	400	689	310	690	260	645	1230	706	1345

Note: available on request enclosure with plexi door. For the product code, add the suffix PV (i.e.: ECOMP61240PV).



Compact

CHARACTERISTICS

Enclosure manufactured from 1.5 mm thick sheet steel. Door manufactured from 2.0 mm thick sheet steel. Mounting plate manufactured from 2.5 mm thick sendzimir sheet steel.

PAINT FINISH

ETA standard epoxy polyester powder coating.
Enclosure and door: colour RAL 7035 textured finish.
Aesthetic profile: colour RAL 5020 textured finish.

SUPPLY

- Enclosure supplied with:
- front aesthetic profile
 - door with 2 stiffening sendzimir profiles and ø 3 mm double bar locking system
 - adjustable cable entry
 - front-inserted mounting plate.

PROTECTION RATING

- IP55 according to IEC EN62208; EN60529
- NEMA 12 according to UL508A; UL50
- protection degree guaranteed by the two-component polyurethane foam
- impact resistance IK10 complying with IEC EN62208; EN62202.



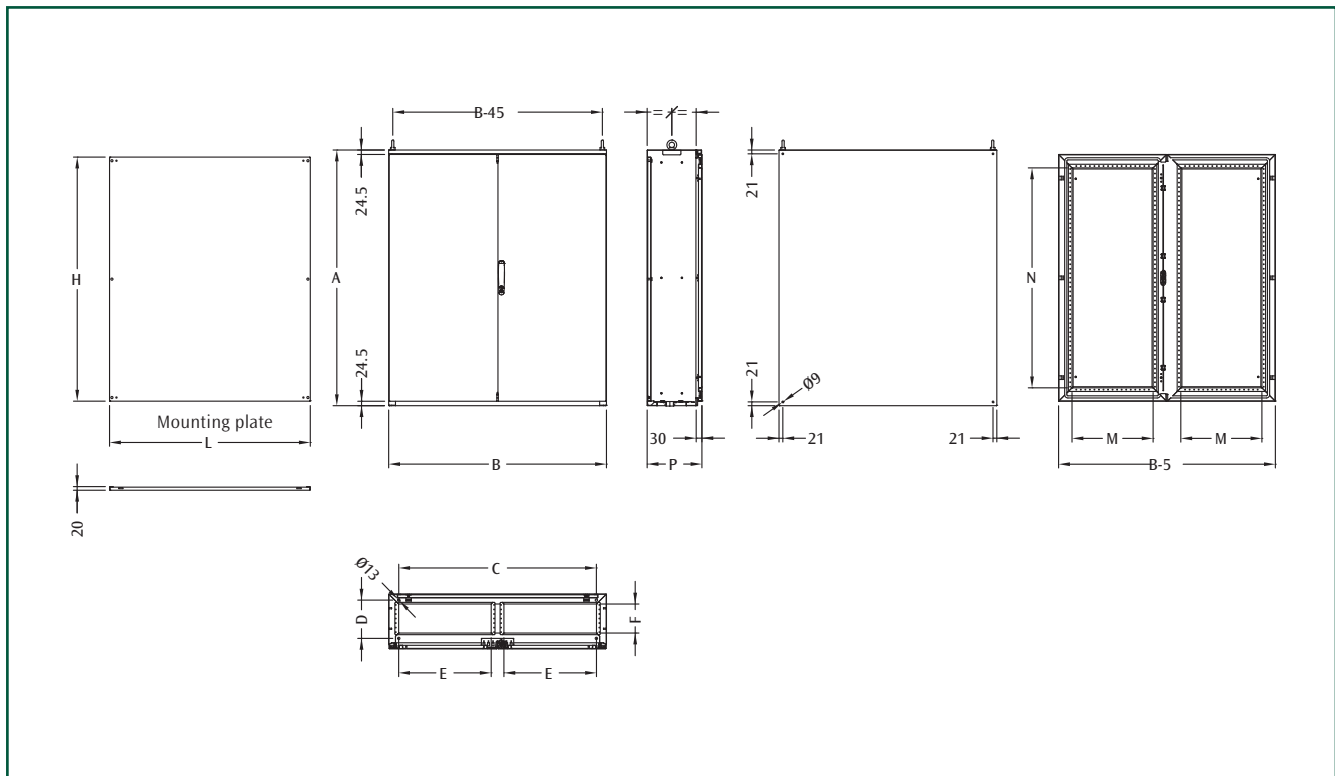
Universal plinth EUZE, see page 106



Eyebolts, see page 107



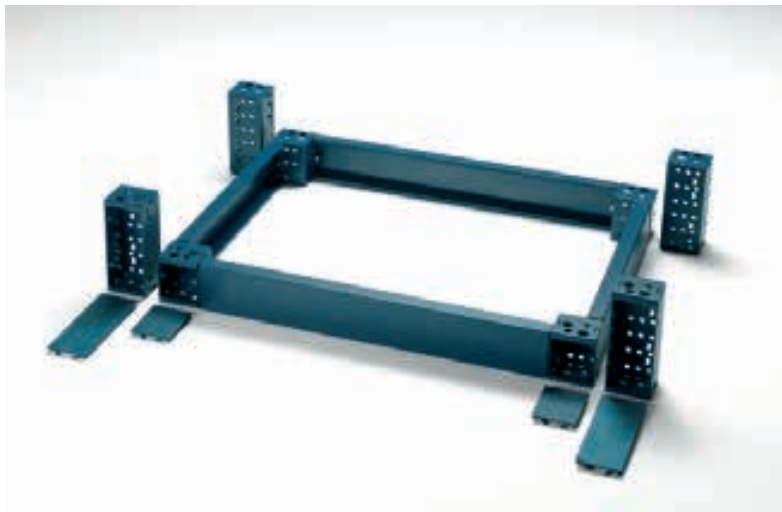
Wall-mounting brackets, see page 107



Compact

DIMENSIONAL SPECIFICATIONS

E COMP CODE	CABINET DIMENSIONS			FLOOR FIXING		CABLE ENTRY		DOOR SPACE		MOUNT. PLATE DIM.	
	B	A	P	C	D	E	F	M	N	L	H
ECOMP101240	1000	1209	400	889	310	410	260	345	1030	906	1145
ECOMP101430	1000	1409	300	889	210	410	160	345	1230	906	1345
ECOMP101440	1000	1409	400	889	310	410	260	345	1230	906	1345
ECOMP121240	1200	1209	400	1089	310	510	260	345	1030	1106	1145
ECOMP121430	1200	1409	300	1089	210	510	160	445	1230	1106	1345
ECOMP121440	1200	1409	400	1089	310	510	260	445	1230	1106	1345



Compact

MODULAR PLINTH EUZE

CHARACTERISTICS

Corner pieces manufactured from 2.5 mm thick press bent sheet steel, with PVC front covers caps. Front and side crosspieces manufactured from 2.0 mm thick press bent sheet steel.

PAINT FINISH

ETA standard epoxy polyester powder coating. Colour: RAL 5020 textured finish.

SUPPLY

The modular plinth is made up of:

- corner pieces: supply includes 4 pieces complete with front covers and mounting hardware
- front crosspieces: supply includes 2 pieces
- side crosspieces: supply includes 2 pieces.

UNIVERSAL CORNER PIECES

EUZE CODE	DESCRIPTION
EUZE-A100	CORNER PIECES FOR PLINTH H=100
EUZE-A200	CORNER PIECES FOR PLINTH H=200

Note: supply includes 4 pieces with mounting accessories.

FRONT CROSSPIECES

EUZE CODE	DESCRIPTION	CROSS. LENGTH MM
EUZE-T0600	PLINTH FRONT CROSSPIECES W=600	444
EUZE-T0800	PLINTH FRONT CROSSPIECES W=800	644
EUZE-T1000	PLINTH FRONT CROSSPIECES W=1000	844
EUZE-T1200	PLINTH FRONT CROSSPIECES W=1200	1044

Note: to order the front and side crosspieces H=200, add the suffix "D" to the code (i.e.: EUZE-T0600D).

Note: supply includes 2 pieces.

E COMP SIDE CROSSPIECES

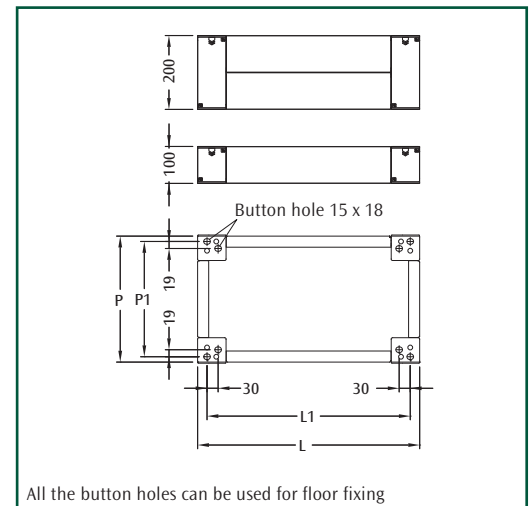
EUZE CODE	DESCRIPTION	CROSS. LENGTH MM
EUZE-T0300S	SIDE CROSSPIECES FOR PLINTH D=300	136
EUZE-T0400C	SIDE CROSSPIECES FOR PLINTH D=400	236

Note: to order the front and side crosspieces H=200, add the suffix "D" to the code (i.e.: EUZE-T0300SD).

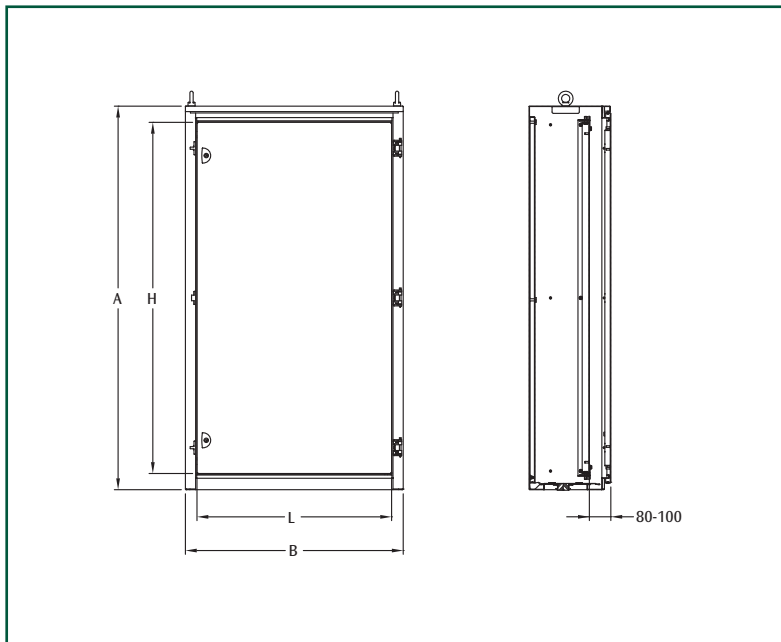
Note: supply includes 2 pieces.

DIMENSIONAL SPECIFICATIONS

DIMENSIONS		PLINTH DIMENSIONS		CENT. DISTANCES	
WIDTH	DEPTH	L	P	L1	P1
600	300	600	278	549	249
600	400	600	378	549	349
800	300	800	278	749	249
800	400	800	378	749	349
1000	300	1000	278	949	249
1200	300	1200	278	1149	249



All the button holes can be used for floor fixing



KIT INNER DOOR EPP01

CHARACTERISTICS

Frame and door manufactured from 1.5 mm thick sheet steel.

PAINT FINISH

ETA standard epoxy polyester powder coating.
Colour: RAL 7035 textured finish.

SUPPLY

- Includes:
- frame
 - door with $\varnothing 3$ mm double bar locking system
 - mounting accessories.

PROTECTION RATING

- external: IP55
- internal: IP20.

Compact

KIT INNER DOOR

EPP01 CODE	FOR COMPACT ENCLOSURES	DIMENSIONS		DOOR DIMENSIONS		N° OF LOCKING POINTS
		B	A	L	H	
EPP01612	ECOMP61240	600	1200	515	1090	2
EPP01614	ECOMP81240	800	1200	715	1090	2
EPP01812	ECOMP61440	600	1400	515	1290	2
EPP01814	ECOMP81440	800	1400	715	1290	2

EYEBOLTS WTGS-003

Zincpassivated M12 lifting eyebolts.

SUPPLY

Includes 2 pieces with nuts and washers.

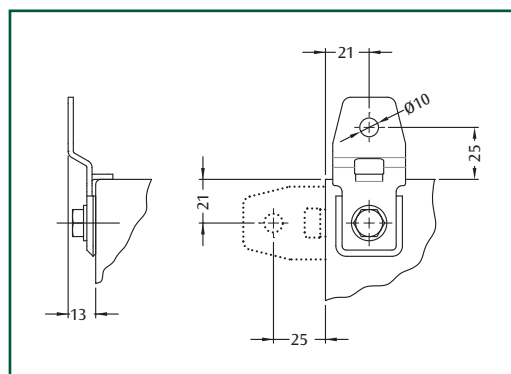


WALL MOUNTING BRACKETS SDWC-010

Manufactured from 2.5 mm thick zincpassivated sheet steel.

SUPPLY

Includes 4 pieces.



VERTICAL RAILS WTPR - P

Manufactured from 1.5 mm thick sendzimir sheet steel.

SUPPLY

Includes 4 pieces with mounting accessories.



VERTICAL RAILS	
WTPR CODE	CABINET HEIGHT
WTPR-050120P	1200
WTPR-050140P	1400

180° HINGES EUCE-180004

To be mounted on standard doors for 180° opening.

CHARACTERISTICS

Manufactured from zinc material.

PAINT FINISH

Colour: RAL 5020 smooth finish.

SUPPLY

Includes 3 hinges with mounting accessories.



FAST FIXING BRACKETS WTPR - R

Manufactured from 1.5 mm thick sendzimir sheet steel, H=50 mm.

SUPPLY

Includes 4 pieces with mounting accessories.



FAST FIXING BRACKETS	
WTPR CODE	CABINET DEPTH
WTPR-050022R	300
WTPR-050032R	400

SLIDING RAILS CSPP

They allow easy installation of the mounting plate. Rails can be removed after installation and kept for future use.

CHARACTERISTICS

Manufactured from 2.0 mm thick sendzimir zinc sheet steel.

SUPPLY

Includes 2 pieces with mounting accessories.



SLIDING RAILS	
CSPP CODE	CABINET DEPTH
CSPP-00300	300
CSPP-00400	400



e nux

MODULAR SOLUTIONS

FEATURES

Thanks to the extreme flexibility of the cabinet system E NUX and to the compatibility with all ETA accessories, the structure of the cabinet allows the creation of modular solutions:

- modular enclosures for LV power distribution
- enclosures with external door modules and fully split cubicles
- enclosures with multiple doors with several separated cells on a single structure.

From structure to modular solution, in a few steps:

- 1 identification of the configuration based on E NUX cabinet
- 2 choice of the cabinet front, by simply selecting doors/panels
- 3 choice of the interior.





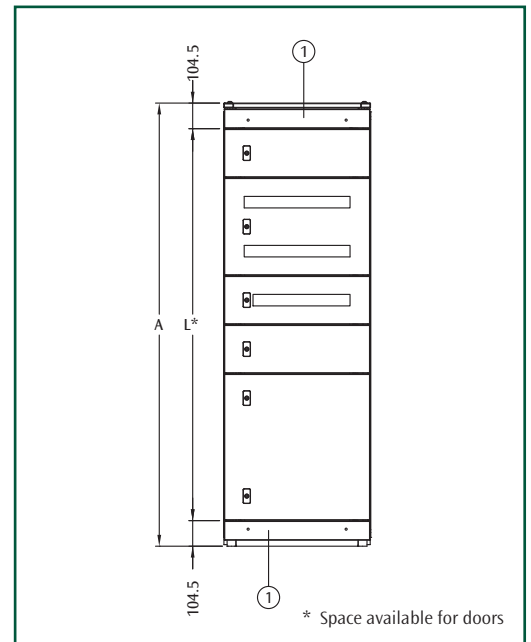
Modular

CHARACTERISTICS/SUPPLY

- The solution is composed by:
- E NUX structure and bottom with adjustable cable entry manufactured from high-strength low-alloy sheet steel
 - roof manufactured from sheet steel
 - rear panel manufactured from sheet steel.

PAINT FINISH

- ETA standard epoxy polyester powder coating:
- structure: colour RAL 7035 smooth finish
 - rear panel: colour RAL 7035 textured finish
 - roof: colour RAL 5020 textured finish.



EUFI - M side panels, see pag. 116



EUZE modular plinth, see page 65

1 Front panels kit WTCL (2 pieces) to be ordered separately.

DIMENSIONAL SPECIFICATIONS

CABINET DIMENSIONS			
B	A	P	L
600	1809	414	1600
600	1809	514	1600
600	1809	614	1600
600	1809	814	1600
800	1809	414	1600
800	1809	514	1600
800	1809	614	1600
800	1809	814	1600
600	2009	414	1800
600	2009	514	1800
600	2009	614	1800
600	2009	814	1800
800	2009	414	1800
800	2009	514	1800
800	2009	614	1800
800	2009	814	1800

ASSEMBLED STRUCTURE FOR MODULAR CABINET MULTIPLE DOORS

CABINET DIMENSIONS			E NUX
WIDTH	HEIGHT	DEPTH	CODE
600	1800	400	ENUX061804ST
600	1800	500	ENUX061805ST
600	1800	600	ENUX061806ST
600	1800	800	ENUX061808ST
600	2000	400	ENUX062004ST
600	2000	500	ENUX062005ST
600	2000	600	ENUX062006ST
600	2000	800	ENUX062008ST
800	1800	400	ENUX081804ST
800	1800	500	ENUX081805ST
800	1800	600	ENUX081806ST
800	1800	800	ENUX081808ST
800	2000	400	ENUX082004ST
800	2000	500	ENUX082005ST
800	2000	600	ENUX082006ST
800	2000	800	ENUX082008ST

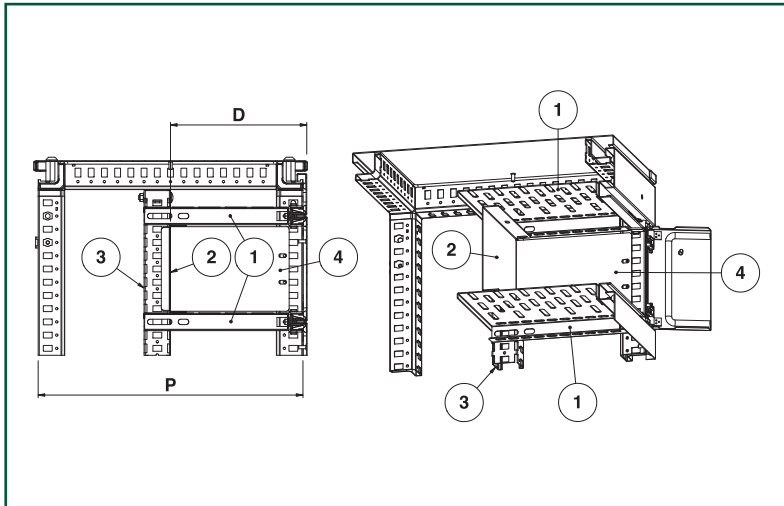
Modular

FLAT-PACK STRUCTURE FOR MODULAR CABINET MULTIPLE DOORS

CABINET DIMENSIONS			ROOF + BOTTOM	2 FRONT UPRIGHTS FOR E NUX MULT. DOORS	REAR PANEL
WIDTH	HEIGHT	DEPTH	EUTF CODE	EUMT CODE	EURE CODE
600	1800	400	EUTF060040	EUMT001800	EURE060180
600	1800	500	EUTF060050	EUMT001800	EURE060180
600	1800	600	EUTF060060	EUMT001800	EURE060180
600	1800	800	EUTF060080	EUMT001800	EURE060180
600	2000	400	EUTF060040	EUMT002000	EURE060200
600	2000	500	EUTF060050	EUMT002000	EURE060200
600	2000	600	EUTF060060	EUMT002000	EURE060200
600	2000	800	EUTF060080	EUMT002000	EURE060200
800	1800	400	EUTF080040	EUMT001800	EURE080180
800	1800	500	EUTF080050	EUMT001800	EURE080180
800	1800	600	EUTF080060	EUMT001800	EURE080180
800	1800	800	EUTF080080	EUMT001800	EURE080180
800	2000	400	EUTF080040	EUMT002000	EURE080200
800	2000	500	EUTF080050	EUMT002000	EURE080200
800	2000	600	EUTF080060	EUMT002000	EURE080200
800	2000	800	EUTF080080	EUMT002000	EURE080200

Note: to complete the configuration of the cabinet, see on pages 112-117.

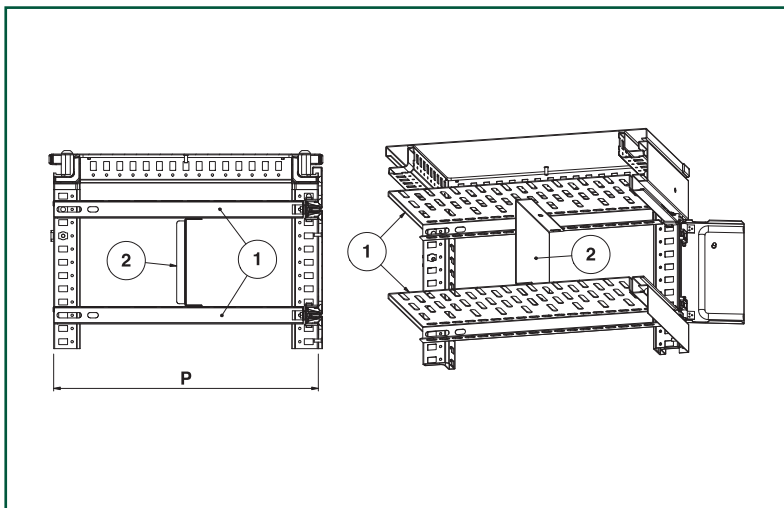
1. IDENTIFICATION OF THE CONFIGURATION BASED ON E NUX



LEGEND	
REF.	DESCRIPTION
1	PARTIAL HORIZONTAL PLATE: EUDO
2	MOUNTING PLATE: EUPO
3*	RAIL WTPR-050180CP (H=1800)
3*	RAIL WTPR-050200CP (H=2000)
4	SIDE COVER: EUSV

* To be ordered separately: fixing brackets WTSF-001CP.

Modular

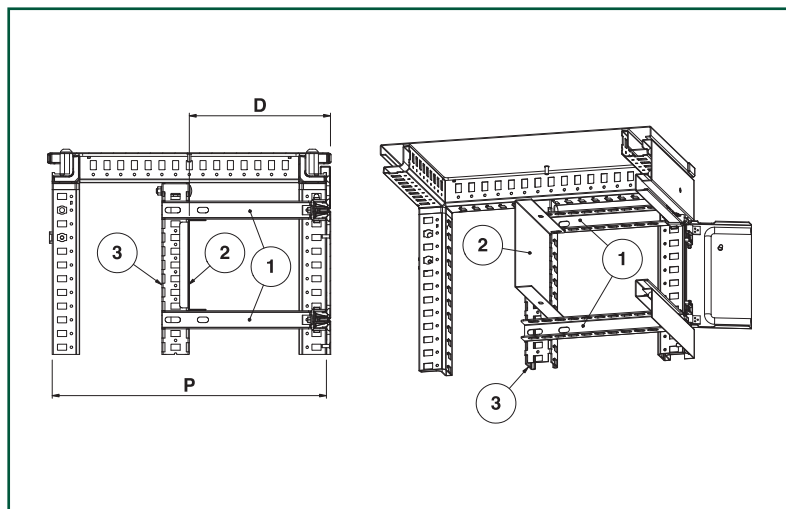


LEGEND	
REF.	DESCRIPTION
1	HORIZONTAL PLATE: EUDO
2	MOUNTING PLATE: EUPU

HORIZONTAL PLATE*

CABINET DEPTH	P	D MAX	PARTIAL HORIZONTAL PLATE		TOTAL HORIZONTAL PLATE	
			CABINET WIDTH=600	CABINET WIDTH=800	CABINET WIDTH=600	CABINET WIDTH=800
	400	105	EUDO-060010	EUDO-080010	EUDO-060040	EUDO-080040
	400	155	EUDO-060015	EUDO-080015	EUDO-060040	EUDO-080040
	500	105	EUDO-060010	EUDO-080010	EUDO-060050	EUDO-080050
	500	155	EUDO-060015	EUDO-080015	EUDO-060050	EUDO-080050
	500	255	EUDO-060025	EUDO-080025	EUDO-060050	EUDO-080050
	600	105	EUDO-060010	EUDO-080010	EUDO-060060	EUDO-080060
	600	155	EUDO-060015	EUDO-080015	EUDO-060060	EUDO-080060
	600	255	EUDO-060025	EUDO-080025	EUDO-060060	EUDO-080060
	600	355	EUDO-060040	EUDO-080040	EUDO-060060	EUDO-080060
	800	105	EUDO-060010	EUDO-080010	EUDO-060080	EUDO-080080
	800	155	EUDO-060015	EUDO-080015	EUDO-060080	EUDO-080080
	800	255	EUDO-060025	EUDO-080025	EUDO-060080	EUDO-080080
	800	355	EUDO-060040	EUDO-080040	EUDO-060080	EUDO-080080

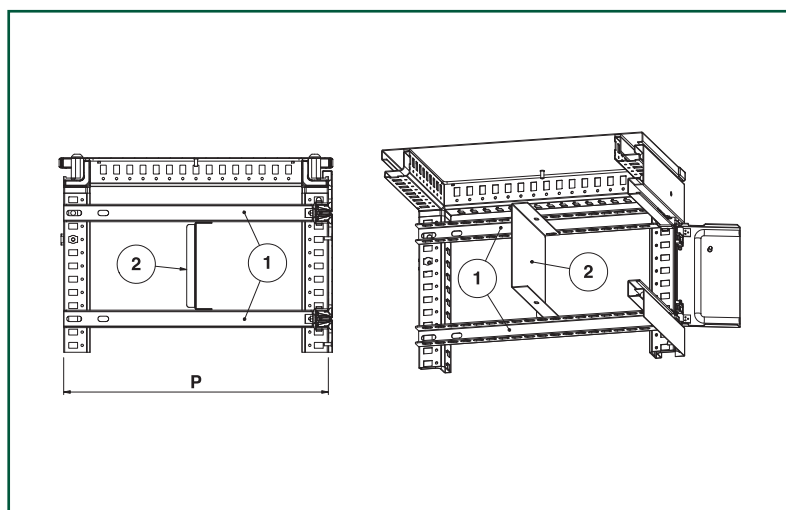
* Single piece



LEGEND	
REF.	DESCRIPTION
1	PARTIAL RAIL: WTPR
2	MOUNTING PLATE: EUPU
3*	RAIL WTPR-050180CP (H=1800)
3*	RAIL WTPR-050200CP (H=2000)

* To be ordered separately: fixing brackets WTSF-001CP

Modular



LEGEND	
REF.	DESCRIPTION
1	TOTAL RAIL: WTPR
2	MOUNTING PLATE: EUPU

RAILS*

CABINET DEPTH		PARTIAL DEPTH	TOTAL DEPTH
P	D MAX	WTPR CODE	WTPR CODE
400	105	WTPR-033010	WTPR-033040
400	155	WTPR-033015	WTPR-033040
500	105	WTPR-033010	WTPR-033050
500	155	WTPR-033015	WTPR-033050
500	255	WTPR-033025	WTPR-033050
600	105	WTPR-033010	WTPR-033060
600	155	WTPR-033015	WTPR-033060
600	255	WTPR-033025	WTPR-033060
600	355	WTPR-033040	WTPR-033060
800	105	WTPR-033010	WTPR-033080
800	155	WTPR-033015	WTPR-033080
800	255	WTPR-033025	WTPR-033080
800	355	WTPR-033040	WTPR-033080

* 2 pieces

2. CHOICE OF THE CABINET CONFIGURATION BY SIMPLE PANEL/DOOR SELECTION

FRONT PANELS WTCI

CHARACTERISTICS

Manufactured from 1.5 mm thick sheet steel.

PAINT FINISH

Colour: RAL 7035 textured finish.

FRONT PANELS	
WTCI CODE	CABINET WIDTH
WTCI060100	600
WTCI080100	800

BLANK DOORS EUPD

CHARACTERISTICS

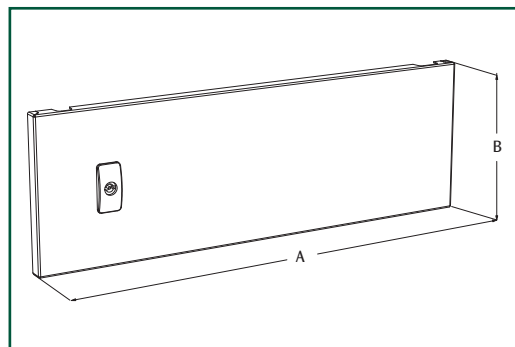
Manufactured from 1.5 mm thick sheet steel complete with sealing gasket and locking system.

SUPPLY

Includes 1 piece.

PAINT FINISH

Colour: RAL 7035 textured finish.



Note: EUSO horizontal rail to be ordered separately.

BLANK DOORS		
EUPD CODE	DIMENSIONS	
	A	B
EUPD060020	600	200
EUPD060030	600	300
EUPD060040	600	400
EUPD060050	600	500
EUPD060060	600	600
EUPD060070	600	700
EUPD060080	600	800
EUPD060090	600	900
EUPD060100	600	1000
EUPD060120	600	1200
EUPD080020	800	200
EUPD080030	800	300
EUPD080040	800	400
EUPD080050	800	500
EUPD080060	800	600
EUPD080070	800	700
EUPD080080	800	800
EUPD080090	800	900
EUPD080100	800	1000
EUPD080120	800	1200

DOORS WITH MODULE SLOTS EUPD - M

CHARACTERISTICS

Manufactured from 1.5 mm thick sheet steel.

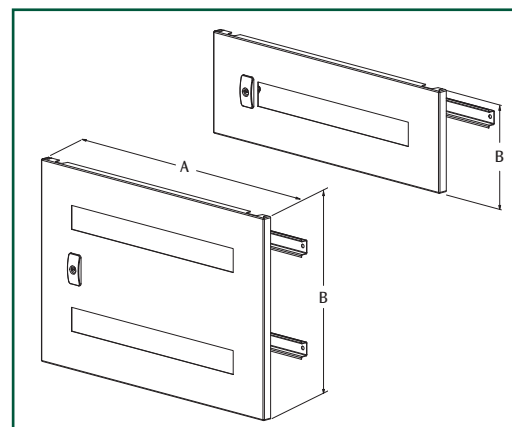
SUPPLY

Includes 1 piece complete with DIN profiles.

PAINT FINISH

Colour: RAL 7035 textured finish.

Note: EUSO horizontal rail to be ordered separately.



DOORS WITH MODULE SLOT			
EUPD CODE	DIMENSIONS		N° OF SLOTS (18 MM)
	A	B	
EUPD060020M	600	200	1x22
EUPD060040M	600	400	2x24
EUPD080020M	800	200	1x33
EUPD080040M	800	400	2x35

3. CHOICE OF THE INNER ACCESSORIES

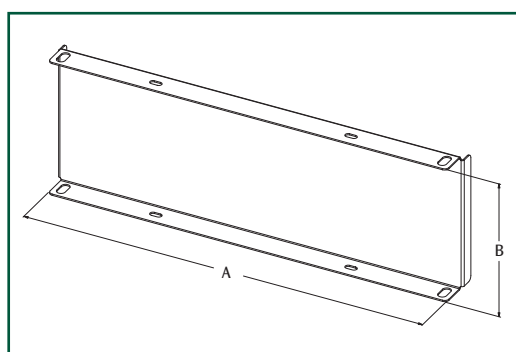
MOUNTING PLATE EUPU

CHARACTERISTICS

Manufactured from 2.0 mm thick sendzimir sheet steel.

SUPPLY

Includes 1 piece complete with mounting accessories.



MOUNTING PLATE				
EUPU CODE	DIMENSIONS		MOUNT. PLATE DIM.	
	WIDTH	HEIGHT	A	B
EUPU-060020	600	200	490	165
EUPU-060030	600	300	490	265
EUPU-060040	600	400	490	365
EUPU-060050	600	500	490	465
EUPU-060060	600	600	490	565
EUPU-060070	600	700	490	665
EUPU-060080	600	800	490	765
EUPU-060090	600	900	490	865
EUPU-060100	600	1000	490	965
EUPU-060120	600	1200	490	1165
EUPU-080020	800	200	690	165
EUPU-080030	800	300	690	265
EUPU-080040	800	400	690	365
EUPU-080050	800	500	690	465
EUPU-080060	800	600	690	565
EUPU-080070	800	700	690	665
EUPU-080080	800	800	690	765
EUPU-080090	800	900	690	865
EUPU-080100	800	1000	690	965
EUPU-080120	800	1200	690	1165

Modular

HORIZONTAL DOOR RABBET EUSO

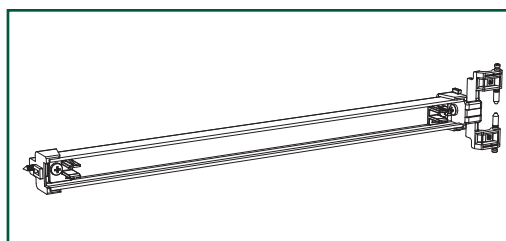
Required to lock the EUPD door on the structure.

CHARACTERISTICS

Manufactured from 1.5 mm thick sendzimir sheet steel.

SUPPLY

Includes 1 piece complete with locking units, hinges to be mounted on a blank EUPD door, screws and mounting accessories.



HOR. DOOR LOCKING PROFILE EUPD

EUSO CODE	CABINET WIDTH
EUSO-000600C	600
EUSO-000800C	800

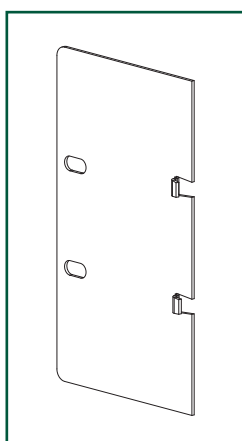
SIDE COVERS EUSV

CHARACTERISTICS

Manufactured from 1.5 mm thick sendzimir sheet steel.

SUPPLY

Includes 2 pieces complete with mounting accessories.



SIDE COVERS				
HEIGHT DOOR	CUBICLE DEPTH "D" MM			
	105	155	255	355
	EUSV CODE	EUSV CODE	EUSV CODE	EUSV CODE
200	EUSV-010020	EUSV-015020	EUSV-025020	EUSV-035020
300	EUSV-010030	EUSV-015030	EUSV-025030	EUSV-035030
400	EUSV-010040	EUSV-015040	EUSV-025040	EUSV-035040
500	EUSV-010050	EUSV-015050	EUSV-025050	EUSV-035050
600	EUSV-010060	EUSV-015060	EUSV-025060	EUSV-035060
700	EUSV-010070	EUSV-015070	EUSV-025070	EUSV-035070
800	EUSV-010080	EUSV-015080	EUSV-025080	EUSV-035080
900	EUSV-010090	EUSV-015090	EUSV-025090	EUSV-035090
1000	EUSV-010100	EUSV-015100	EUSV-025100	EUSV-035100
1200	EUSV-010120	EUSV-015120	EUSV-025120	EUSV-035120

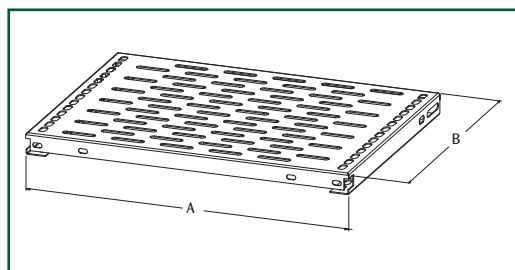
HORIZONTAL PLATE EUDO

CHARACTERISTICS

Manufactured from 1.5 mm thick sendzimir sheet steel.

SUPPLY

Includes 1 piece complete with mounting accessories.



Modular

HORIZONTAL PLATE

EUDO CODE	CABINET WIDTH	DIMENSIONS	
		A	B
EUDO-060010	600	496	122
EUDO-060015	600	496	172
EUDO-060025	600	496	272
EUDO-060040	600	496	372
EUDO-060050	600	496	472
EUDO-060060	600	496	572
EUDO-060080	600	496	772
EUDO-080010	800	696	122
EUDO-080015	800	696	172
EUDO-080025	800	696	272
EUDO-080040	800	696	372
EUDO-080050	800	696	472
EUDO-080060	800	696	572
EUDO-080080	800	696	772

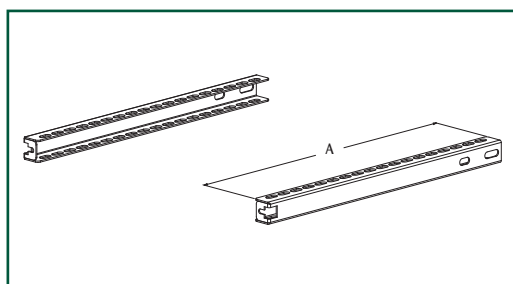
RAILS WTPR

CHARACTERISTICS

Manufactured from 2.0 mm thick sendzimir sheet steel.

SUPPLY

2 pieces with mounting accessories.



RAILS

WTPR CODE	LENGTH
WTPR-033010	122
WTPR-033015	172
WTPR-033025	272
WTPR-033040	372
WTPR-033050	472
WTPR-033060	572
WTPR-033080	772

JOINING KIT EUKU-004

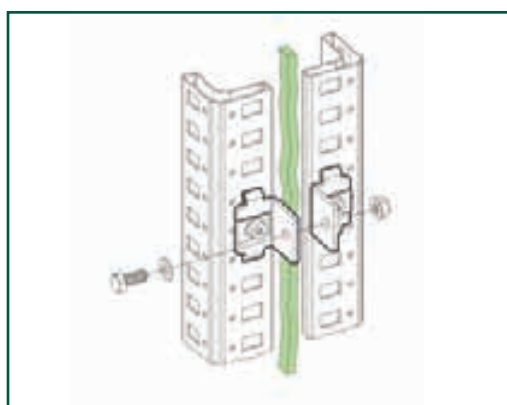
CHARACTERISTICS

Manufactured from 4.0 mm thick zincpassivated sheet steel, allows to join multiple door cabinets in a quickly and effectively way.

SUPPLY

8 pieces with mounting accessories.

Note: in order to lift suite cabinets with the joining kit EUKU-004, use lifting brackets WTSS-001 (see page 74).



SIDE PANELS EUFI - M

CHARACTERISTICS

Manufactured from sheet steel with folded sides.

SUPPLY

Includes 2 pieces with mounting accessories.

PAINT FINISH

ETA standard epoxy polyester powder coating.
Colour: RAL 7035 textured finish.

SIDE PANELS

EUFI-M CODE	WIDTH	HEIGHT
EUFI040180M	400	1800
EUFI040200M	400	2000
EUFI040220M	400	2200
EUFI050180M	500	1800
EUFI050200M	500	2000
EUFI050220M	500	2200
EUFI060180M	600	1800
EUFI060200M	600	2000
EUFI060220M	600	2200
EUFI080180M	800	1800
EUFI080200M	800	2000
EUFI080220M	800	2200

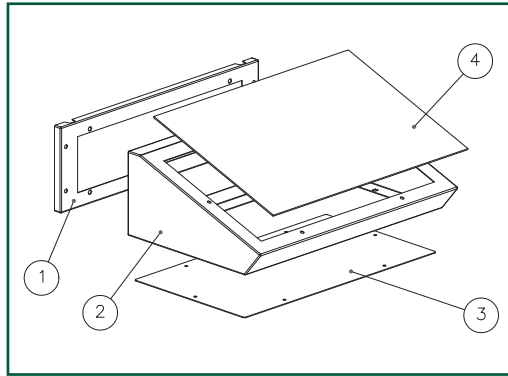
DESK FOR MULTIPLE DOOR CABINET EULE

CHARACTERISTICS

Manufactured from 1.5 mm thick sheet steel.

PAINT FINISH

Colour: RAL 7035 textured finish.



DESK FOR MULTIPLE DOOR CABINET			
EULE CODE	CABINET WIDTH	DESCRIPTION	REF.
EULE000600	600	TRIM PANEL	1
		DESK	2
		BOTTOM FLANGE	3
		TOP COVER	4
EULE000800	800	TRIM PANEL	1
		DESK	2
		BOTTOM FLANGE	3
		TOP COVER	4



* Product AtEx: Contact the ETA commercial office for cabinet with tempered glass



Modular

CHARACTERISTICS/SUPPLY

- The solution is composed by:
- E NUX structure and bottom with adjustable cable entry manufactured from high-strength low-alloy sheet steel
 - roof manufactured from sheet steel
 - rear panel manufactured from sheet steel
 - front door manufactured from sheet steel, with a 4.0 mm thick plexi, complete with a \varnothing 3 mm lever-operated double bar locking system (alternatively, blank door available).

PAINT FINISH

- ETA standard epoxy polyester powder coating:
- structure: colour RAL 7035 smooth finish
 - rear panel: colour RAL 7035 textured finish
 - roof: colour RAL 5020 textured finish.

PROTECTION RATING

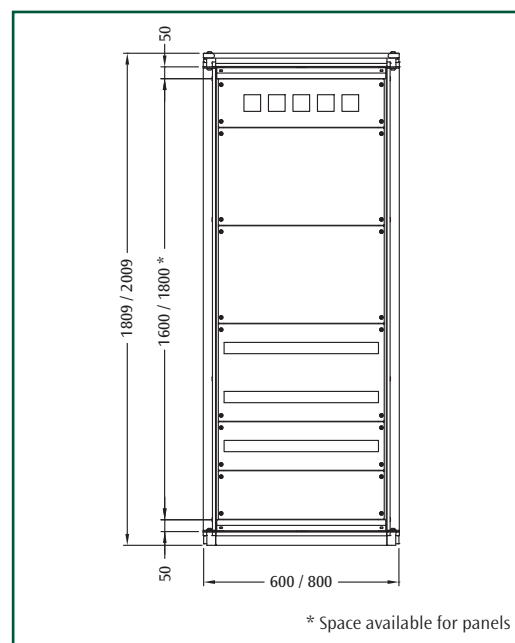
- IP55 according to IEC EN62208; EN60529
- NEMA 12 according to UL508A; UL50
- protection degree guaranteed by the two-component polyurethane foam
- impact resistance IK10 complying with IEC EN62208; EN62202.



EUFI side panels, see page 63



EUZE modular plinth, see page 65



ASSEMBLED CABINET WITH PLEXI DOOR

DIMENSIONS			E NUX CODE
W	H	D	
600	1800	400	ENUX061804PV
600	1800	500	ENUX061805PV
600	1800	600	ENUX061806PV
600	1800	800	ENUX061808PV
800	1800	400	ENUX081804PV
800	1800	500	ENUX081805PV
800	1800	600	ENUX081806PV
800	1800	800	ENUX081808PV
600	2000	400	ENUX062004PV
600	2000	500	ENUX062005PV
600	2000	600	ENUX062006PV
600	2000	800	ENUX062008PV
800	2000	400	ENUX082004PV
800	2000	500	ENUX082005PV
800	2000	600	ENUX082006PV
800	2000	800	ENUX082008PV

Note: for the assembled cabinet with blank door, see ENUX codes on pages 34 and 35.

Note: to these codes, add the structure EUSM.

FLAT-PACK CABINET WITH PLEXI DOOR

DIMENSIONS			ROOF	PLEXI DOOR	REAR PANEL
W	H	D	+ BOTTOM	+ FRONT UPRIGHTS	+ REAR UPRIGHTS
600	1800	400	EUTF060040	EUPV060180	EURE060180
600	1800	500	EUTF060050	EUPV060180	EURE060180
600	1800	600	EUTF060060	EUPV060180	EURE060180
600	1800	800	EUTF060080	EUPV060180	EURE060180
800	1800	400	EUTF080040	EUPV080180	EURE080180
800	1800	500	EUTF080050	EUPV080180	EURE080180
800	1800	600	EUTF080060	EUPV080180	EURE080180
800	1800	800	EUTF080080	EUPV080180	EURE080180
600	2000	400	EUTF060040	EUPV060200	EURE060200
600	2000	500	EUTF060050	EUPV060200	EURE060200
600	2000	600	EUTF060060	EUPV060200	EURE060200
600	2000	800	EUTF060080	EUPV060200	EURE060200
800	2000	400	EUTF080040	EUPV080200	EURE080200
800	2000	500	EUTF080050	EUPV080200	EURE080200
800	2000	600	EUTF080060	EUPV080200	EURE080200
800	2000	800	EUTF080080	EUPV080200	EURE080200

Note: for blank door, see EUPO codes on page 34 and 35.

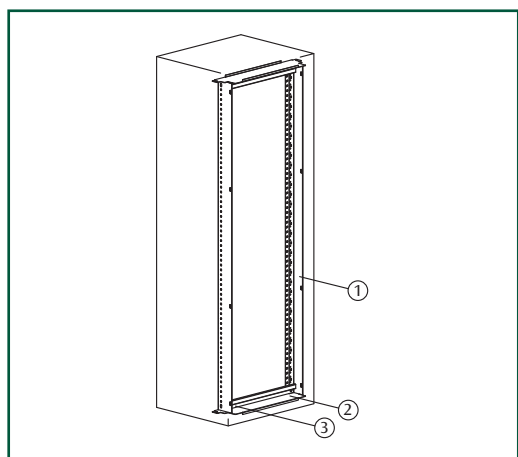
Note: to these codes, add the structure EUSM.

Modular

MODULAR STRUCTURE EUSM

CHARACTERISTICS/SUPPLY

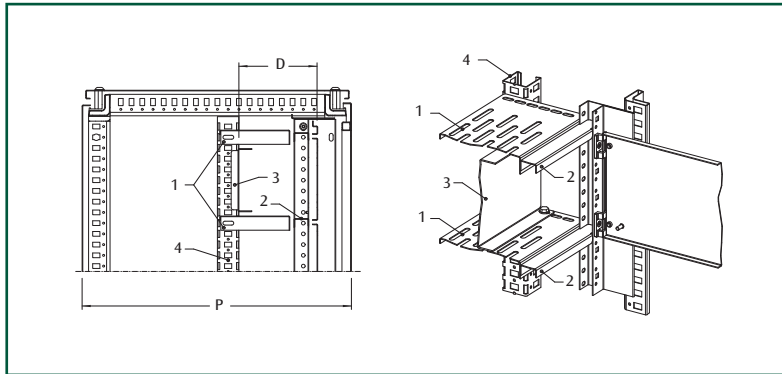
A pair of 1.5 mm thick press bent sheet steel uprights and rails (Ref. 1 and 2). Trim rails manufactured from 1.5 mm thick sheet steel (Ref. 3), painted in RAL 7035 textured finish.



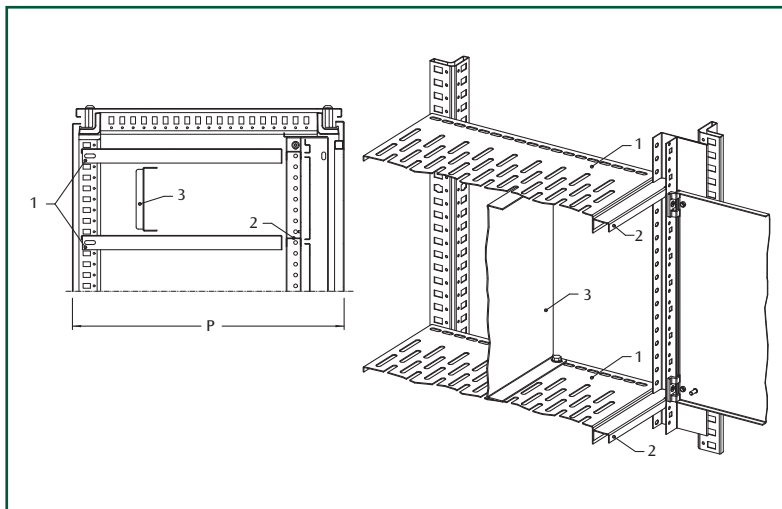
MODULAR STRUCTURE

EUSM CODE	DIMENSIONS		REF.	DESCRIPTION
	WIDTH	HEIGHT		
EUSM060180	600	1800	1	TWO UPRIGHTS
			2	TWO COVERS
			3	TWO TRIM RAILS
EUSM080180	800	1800	1	TWO UPRIGHTS
			2	TWO COVERS
			3	TWO TRIM RAILS
EUSM060200	600	2000	1	TWO UPRIGHTS
			2	TWO COVERS
			3	TWO TRIM RAILS
EUSM080200	800	2000	1	TWO UPRIGHTS
			2	TWO COVERS
			3	TWO TRIM RAILS

1. IDENTIFICATION OF THE CONFIGURATION BASED ON E NUX



Modular



LEGEND

REF.	DESCRIPTION
1	PARTIAL HORIZONTAL PLATE: EUDO
2	FRONT COVER: EUSA
3	MOUNTING PLATE: EUPU
4*	RAILS WTPR-050180CP (H=1800)
4*	RAILS WTPR-050200CP (H=2000)

* To be ordered separately: fixing brackets for profiles WTSF-001CP.

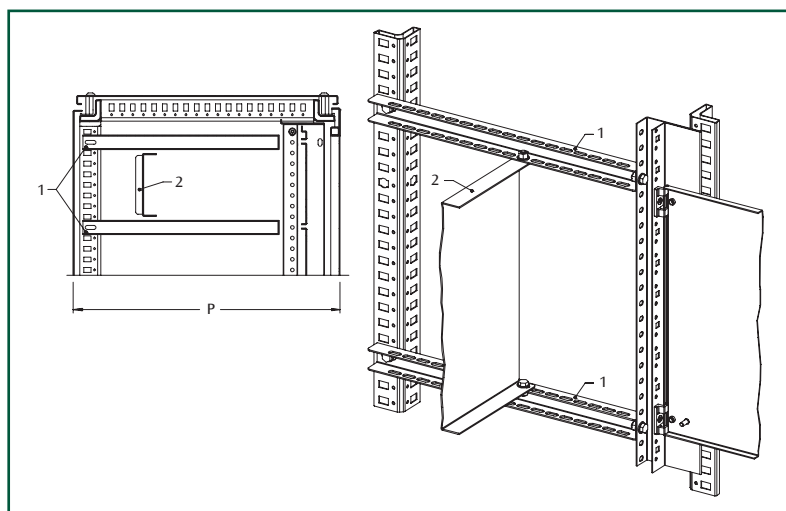
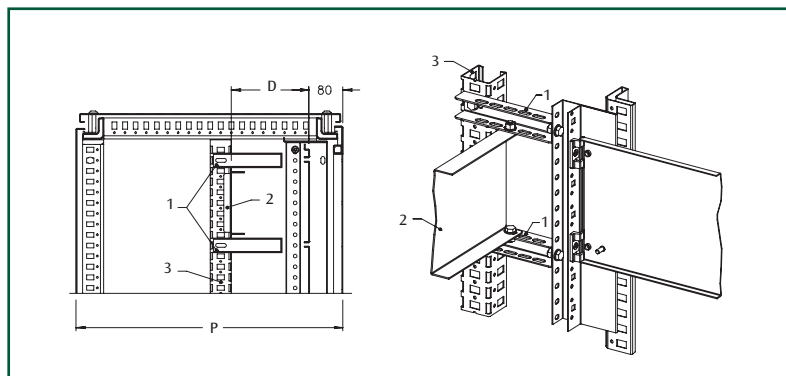
LEGEND

REF.	DESCRIPTION
1	TOTAL HORIZONTAL PLATE: EUDO
2	FRONT COVER: EUSA
3	MOUNTING PLATE: EUPU

HORIZONTAL PLATE*

CABINET DEPTH		PARTIAL HORIZONTAL PLATE		TOTAL HORIZONTAL PLATE	
P	D MAX	CABINET WIDTH=600	CABINET WIDTH=800	CABINET WIDTH=600	CABINET WIDTH=800
400	125	EUDO-060010	EUDO-080010	EUDO-060025	EUDO-080025
400	175	EUDO-060015	EUDO-080015	EUDO-060025	EUDO-080025
500	125	EUDO-060010	EUDO-080010	EUDO-060040	EUDO-080040
500	175	EUDO-060015	EUDO-080015	EUDO-060040	EUDO-080040
500	275	EUDO-060025	EUDO-080025	EUDO-060040	EUDO-080040
600	125	EUDO-060010	EUDO-080010	EUDO-060050	EUDO-080050
600	175	EUDO-060015	EUDO-080015	EUDO-060050	EUDO-080050
600	275	EUDO-060025	EUDO-080025	EUDO-060050	EUDO-080050
600	375	EUDO-060040	EUDO-080040	EUDO-060050	EUDO-080050
800	125	EUDO-060010	EUDO-080010	EUDO-060070	EUDO-080070
800	175	EUDO-060015	EUDO-080015	EUDO-060070	EUDO-080070
800	275	EUDO-060025	EUDO-080025	EUDO-060070	EUDO-080070
800	375	EUDO-060040	EUDO-080040	EUDO-060070	EUDO-080070

* Single piece



LEGEND	
REF.	DESCRIPTION
1	PARTIAL RAIL: WTPR
2	MOUNTING PLATE: EUPU
3 *	RAILS WTPR-050180CP (H=1800)
3 *	RAILS WTPR-050200CP (H=2000)

* To be ordered separately: fixing brackets for profiles WTSF-001CP.

LEGEND	
REF.	DESCRIPTION
1	TOTAL RAIL: WTPR
2	MOUNTING PLATE: EUPU

RAILS*

CABINET DEPTH		PARTIAL DEPTH	TOTAL DEPTH
P	D MAX	WTPR CODE	WTPR CODE
400	125	WTPR-033010	WTPR-033025
400	175	WTPR-033015	WTPR-033025
500	125	WTPR-033010	WTPR-033040
500	175	WTPR-033015	WTPR-033040
500	275	WTPR-033025	WTPR-033040
600	125	WTPR-033010	WTPR-033050
600	175	WTPR-033015	WTPR-033050
600	275	WTPR-033025	WTPR-033050
600	375	WTPR-033040	WTPR-033050
800	125	WTPR-033010	WTPR-033070
800	175	WTPR-033015	WTPR-033070
800	275	WTPR-033025	WTPR-033070
800	375	WTPR-033040	WTPR-033070

* 2 pieces

Modular

2. CHOICE OF THE CABINET CONFIGURATION BY SIMPLE PANEL/DOOR SELECTION

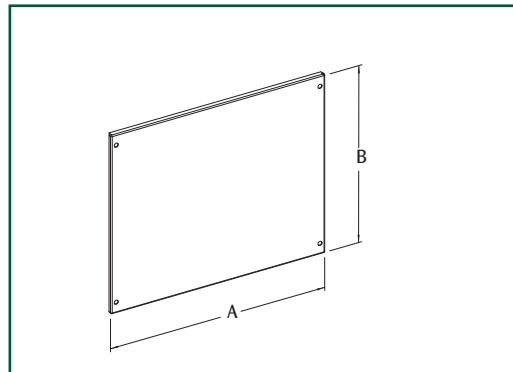
BLANK PANELS EUPM

CHARACTERISTICS

Manufactured from 1.5 mm thick sheet steel in RAL 7035 textured finish.

SUPPLY

Includes 1 piece complete with mounting accessories.



BLANK PANELS

EUPM CODE	WIDTH CABINET	DIMENSIONS	
		A	B
EUPM060020	600	476	200
EUPM060030	600	476	300
EUPM060040	600	476	400
EUPM060050	600	476	500
EUPM060060	600	476	600
EUPM060070	600	476	700
EUPM060080	600	476	800
EUPM080020	800	676	200
EUPM080030	800	676	300
EUPM080040	800	676	400
EUPM080050	800	676	500
EUPM080060	800	676	600
EUPM080070	800	676	700
EUPM080080	800	676	800

Modular

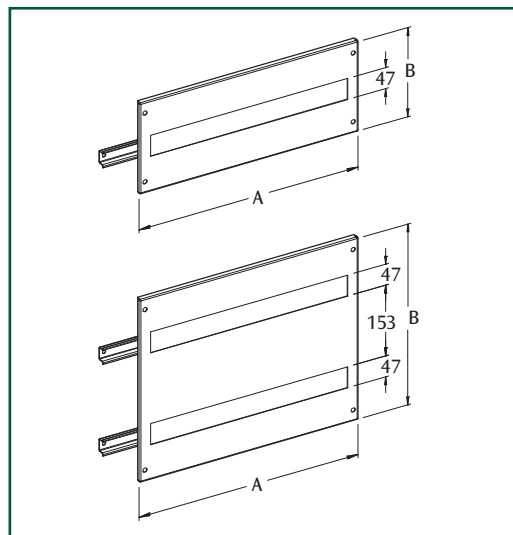
PUNCHED PANELS EUPM

CHARACTERISTICS

Manufactured from 1.5 mm thick sheet steel painted in RAL 7035 textured finish.

SUPPLY

Includes 1 piece complete with mounting accessories and DIN profiles.



PUNCHED PANELS

EUPM CODE	WIDTH CABINET	DIMENSIONS		NO. MOD. 18 MM
		A	B	
EUPM060020M	600	476	200	1x24
EUPM060040M	600	476	400	2x24
EUPM080020M	800	676	200	1x35
EUPM080040M	800	676	400	2x35

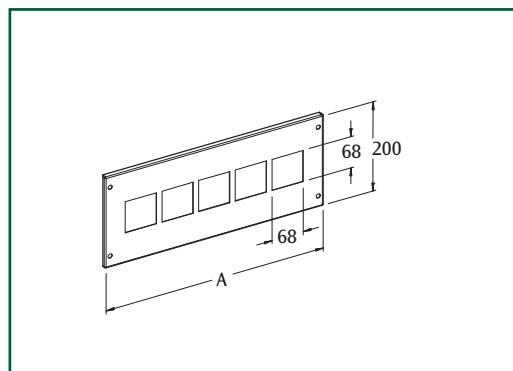
PUNCHED PANELS EUPH

CHARACTERISTICS

Manufactured from 1.5 mm thick sheet steel painted in RAL 7035 textured finish.

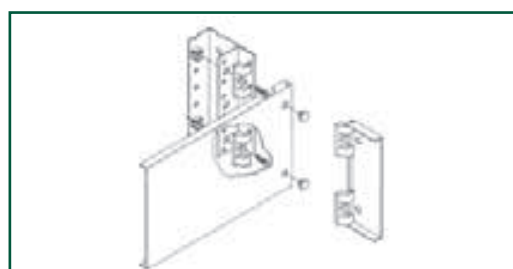
SUPPLY

Includes 1 piece complete with mounting accessories and hinges.



PUNCHED PANELS

EUPH CODE	WIDTH CABINET	DIMENSIONS
		A
EUPH060020	600	476
EUPH080020	800	676



HINGES MDWA-025

Easy fitting hinges, 90° opening. Made from zinc alloy.

SUPPLY

Includes 2 pieces with mounting accessories.

3. CHOICE OF THE INNER ACCESSORIES

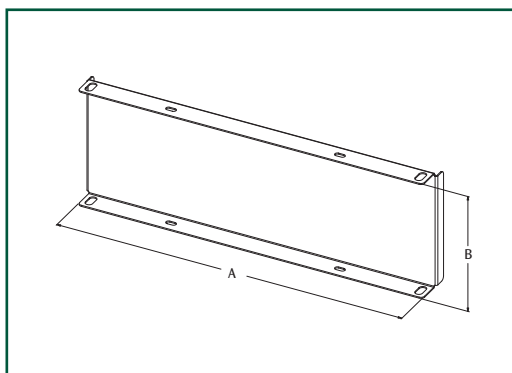
MOUNTING PLATE EUPU

CHARACTERISTICS

Manufactured from 2.0 mm thick sendzimir sheet steel.

SUPPLY

Includes 1 piece complete with mounting accessories.



MOUNTING PLATE				
EUPU CODE	CAB. WIDTH	PANO. HEIGHT	DIMENSIONS	
			A	B
EUPU-060020	600	200	490	165
EUPU-060030	600	300	490	265
EUPU-060040	600	400	490	365
EUPU-060050	600	500	490	465
EUPU-060060	600	600	490	565
EUPU-060070	600	700	490	665
EUPU-060080	600	800	490	765
EUPU-080020	800	200	690	165
EUPU-080030	800	300	690	265
EUPU-080040	800	400	690	365
EUPU-080050	800	500	690	465
EUPU-080060	800	600	690	565
EUPU-080070	800	700	690	665
EUPU-080080	800	800	690	765

Modular

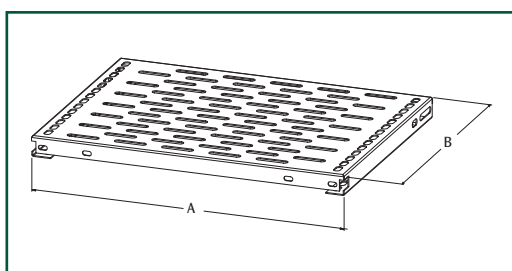
HORIZONTAL PLATE EUDO

CHARACTERISTICS

Manufactured from 1.5 mm thick sendzimir sheet steel.

SUPPLY

Includes 1 piece complete with mounting accessories.



HORIZONTAL PLATE			
EUDO CODE	CAB. WIDTH	DIMENSIONS	
		A	B
EUDO-060010	600	496	122
EUDO-060015	600	496	172
EUDO-060025	600	496	272
EUDO-060040	600	496	372
EUDO-060050	600	496	472
EUDO-060070	600	496	672
EUDO-080010	800	696	122
EUDO-080015	800	696	172
EUDO-080025	800	696	272
EUDO-080040	800	696	372
EUDO-080050	800	696	472
EUDO-080070	800	696	672

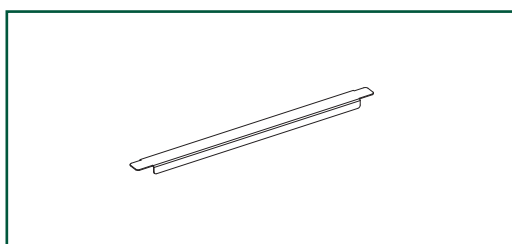
FRONT COVERS EUSA

CHARACTERISTICS

Manufactured from 1.5 mm thick sendzimir sheet steel.

SUPPLY

Includes 1 piece complete with mounting accessories.



FRONT COVERS	
EUSA CODE	CABINET WIDTH
EUSA-000600	600
EUSA-000800	800

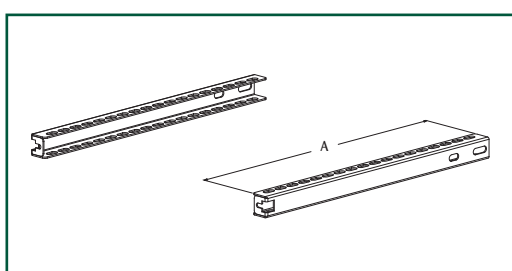
RAILS WTPR

CHARACTERISTICS

Manufactured from 2.0 mm thick sendzimir sheet steel.

SUPPLY

Includes 2 pieces complete with mounting accessories.



RAILS	
WTPR CODE	LENGTH
	A
WTPR-033010	122
WTPR-033015	172
WTPR-033025	272
WTPR-033040	372
WTPR-033050	472
WTPR-033070	672





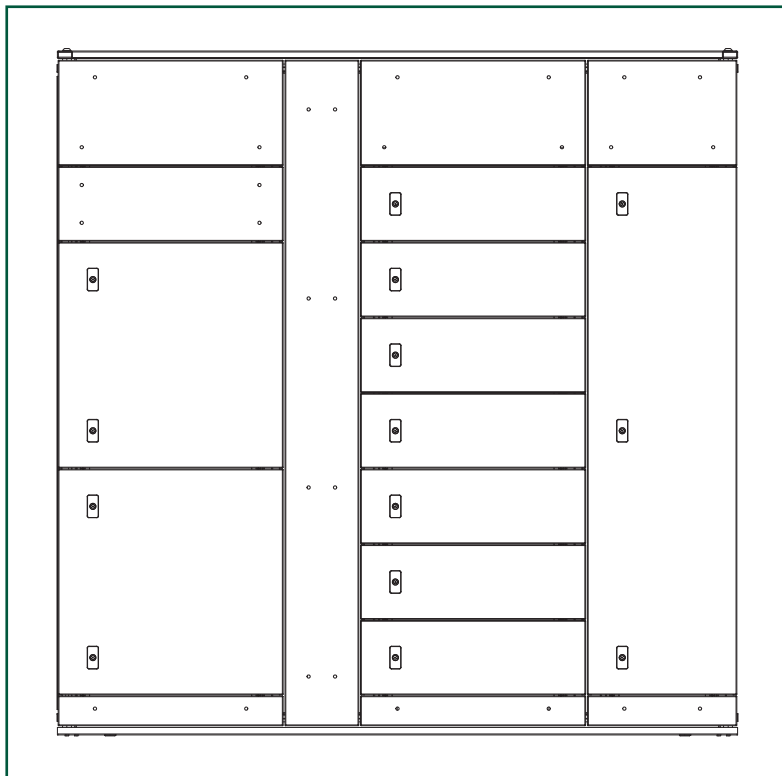
e nux

MODULAR CABINET WITH MULTIPLE DOORS

FEATURES

- 1 Assembly achievable on the basis of the customer's specification, through the use of ETA standard components and accessories.
- 2 Standard ETA roof, bottom, rear panel and structural uprights.
- 3 Possibility to mount adjacent inner cubicles.
- 4 An independent cable entry for each column, thanks to the rails screwed on the bottom.
- 5 An innovative and simple interlocking mounting system of the cubicles.
- 6 Universal bracket for the fixing of vertical uprights with the possibility to be mounted in an halfway position or at the top.
- 7 Top and bottom panels for the passage of busbars and screwed panel for the passage of cables and terminals.
- 8 Cabinet available in both flat-pack and, on request, in assembled version.





E NUX MULTIPLE DOOR STRUCTURE

CHARACTERISTICS

- structure and bottom without cable entry rail manufactured from high-strength low-alloy sheet steel
- removable roof manufactured from sheet steel
- rear panel manufactured from sheet steel with folded sides.

SUPPLY

Includes roof, bottom, 2 structural uprights and a rear panel complete with 2 structural uprights. Available assembled or in flat-pack version.

PAINT FINISH

- ETA standard epoxy polyester powder coating.
- structure: colour RAL 7035 smooth finish
 - rear panel: colour RAL 7035 textured finish
 - roof: colour RAL 5020 textured finish.

For different dimensions, please contact the ETA sales office.

ROOF AND BOTTOM		
EUTF CODE	DIMENSIONS	
	WIDTH	DEPTH
EUTF140040M	1400	400
EUTF140050M	1400	500
EUTF140060M	1400	600
EUTF140080M	1400	800
EUTF160040M	1600	400
EUTF160050M	1600	500
EUTF160060M	1600	600
EUTF160080M	1600	800

REAR PANEL		
EURE CODE	DIMENSIONS	
	WIDTH	HEIGHT
EURE140180	1400	1800
EURE140200	1400	2000
EURE140220	1400	2200
EURE160180	1600	1800
EURE160200	1600	2000
EURE160220	1600	2200

STRUCTURAL UPRIGHTS	
EUMT CODE	HEIGHT
	EUMT001800
EUMT002000	2000
EUMT002200	2200

Note: assembled version available on request.



SIDE PANELS EUFI - M

CHARACTERISTICS

Manufactured from sheet steel with folded sides.

SUPPLY

2 pieces with mounting accessories.

PAINT FINISH

ETA standard epoxy polyester powder coating.
Colour: RAL 7035 textured finish.

SIDE PANELS		
EUFI CODE	WIDTH	HEIGHT
	EUFI040180M	400
EUFI040200M	400	2000
EUFI040220M	400	2200
EUFI050180M	500	1800
EUFI050200M	500	2000
EUFI050220M	500	2200
EUFI060180M	600	1800
EUFI060200M	600	2000
EUFI060220M	600	2200
EUFI080180M	800	1800
EUFI080200M	800	2000
EUFI080220M	800	2200

MODULAR DIVIDING UPRIGHT EUMD

CHARACTERISTICS

Manufactured from sheet steel.

SUPPLY

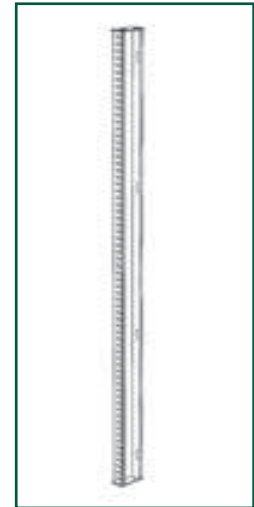
Includes 1 piece with mounting screws.

PAINT FINISH

Colour: RAL 7035 smooth finish.

Note: to be ordered separately the EUTG cable entry division rail, unless the upright is positioned at 200 mm with modular panel EUAV W=200 mm: in this case it is necessary the EUTG-L rail.

MODULAR DIVIDING UPRIGHT	
EUMD CODE	HEIGHT
EUMD001800	1800
EUMD002000	2000
EUMD002200	2200



Modular

MODULAR BLANK SCREWED PANEL EUAV W=200

CHARACTERISTICS

Manufactured from 1.5 mm thick sheet steel.

SUPPLY

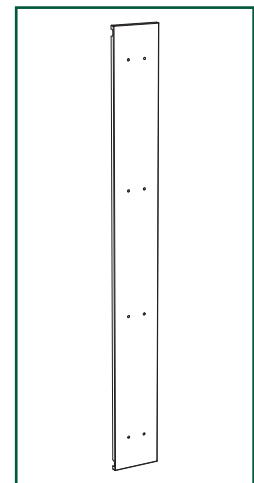
Includes 1 piece with mounting screws.

PAINT FINISH

Colour: RAL 7035 textured finish.

Note: to be ordered separately the cable entry plate EUTM (see page 131) in case that the EUAV panel is in a central position.

MODULAR BLANK SCREWED PANEL		
EUAV CODE	WIDTH	HEIGHT
EUAV020180	200	1800
EUAV020200	200	2000
EUAV020220	200	2200



MODULAR BLANK SCREWED PANEL EUAV

CHARACTERISTICS

Manufactured from 1.5 mm thick sheet steel.

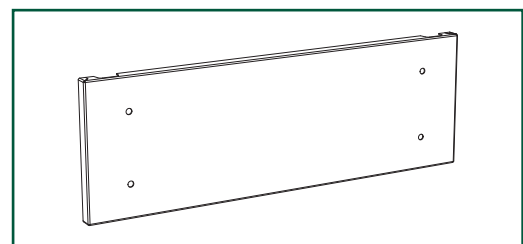
SUPPLY

Includes 1 piece with mounting screws.

PAINT FINISH

Colour: RAL 7035 textured finish.

MODULAR BLANK SCREWED PANEL		
EUAV CODE	WIDTH	HEIGHT
EUAV040015	400	150
EUAV040020	400	200
EUAV040025	400	250
EUAV040030	400	300
EUAV040040	400	400
EUAV060015	600	150
EUAV060020	600	200
EUAV060025	600	250
EUAV060030	600	300
EUAV060040	600	400
EUAV080020	800	200
EUAV080030	800	300
EUAV080040	800	400



TOP/BOTTOM PANEL WTCS

CHARACTERISTICS

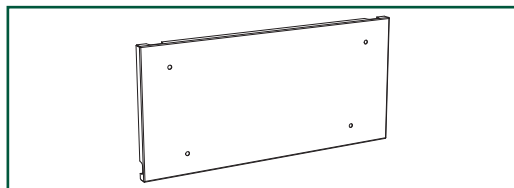
Manufactured from 1.5 mm thick sheet steel.

SUPPLY

Includes 1 piece with screws and mounting accessories.

PAINT FINISH

Colour: RAL 7035 textured finish.



TOP/BOTTOM PANEL

WTCS CODE	WIDTH	HEIGHT
WTCS040100	400	100
WTCS040300	400	300
WTCS060100	600	100
WTCS060300	600	300
WTCS080100	800	100
WTCS080300	800	300

MODULAR HORIZONTAL RAIL EUISO

It is necessary to fix the EUAV panel or the EUPD door.

CHARACTERISTICS

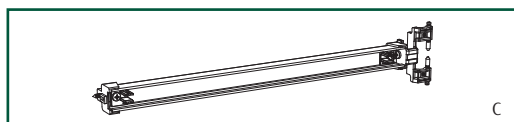
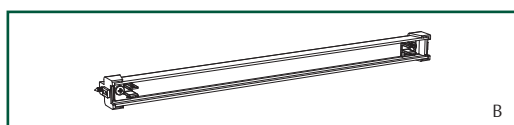
Manufactured from 1.5 mm thick sendzimir sheet steel.

SUPPLY

Includes 1 piece with screws, mounting accessories, locking blocks and hinges (to fix the door EUPD).

MODULAR HORIZONTAL RAIL

EUISO CODE	WIDTH	FIXING
EUISO-000400B	400	PANEL EUAV
EUISO-000600B	600	PANEL EUAV
EUISO-000800B	800	PANEL EUAV
EUISO-000400C	400	DOOR EUPD
EUISO-000600C	600	DOOR EUPD
EUISO-000800C	800	DOOR EUPD



MODULAR BLANK DOOR EUPD

CHARACTERISTICS

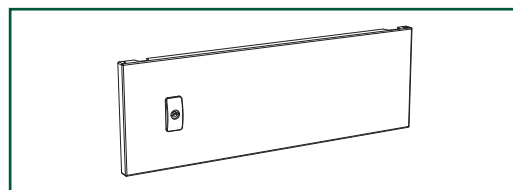
Manufactured from 1.5 mm thick sheet steel.

SUPPLY

Includes 1 piece with screws and mounting accessories.

PAINT FINISH

Colour: RAL 7035 textured finish.



MODULAR BLANK DOOR

EUPD CODE	WIDTH	HEIGHT
EUPD040015	400	150
EUPD040020	400	200
EUPD040025	400	250
EUPD040030	400	300
EUPD040040	400	400
EUPD040050	400	500
EUPD040060	400	600
EUPD040120	400	1200
EUPD040140	400	1400
EUPD040160	400	1600
EUPD040180	400	1800
EUPD040200	400	2000
EUPD060015	600	150
EUPD060020	600	200
EUPD060025	600	250
EUPD060030	600	300
EUPD060040	600	400
EUPD060050	600	500
EUPD060060	600	600
EUPD060080	600	800
EUPD060100	600	1000
EUPD060120	600	1200
EUPD060140	600	1400
EUPD060160	600	1600
EUPD060180	600	1800
EUPD060200	600	2000
EUPD080030	800	300
EUPD080040	800	400
EUPD080060	800	600
EUPD080080	800	800
EUPD080100	800	1000
EUPD080120	800	1200

INNER UPRIGHTS WTPL

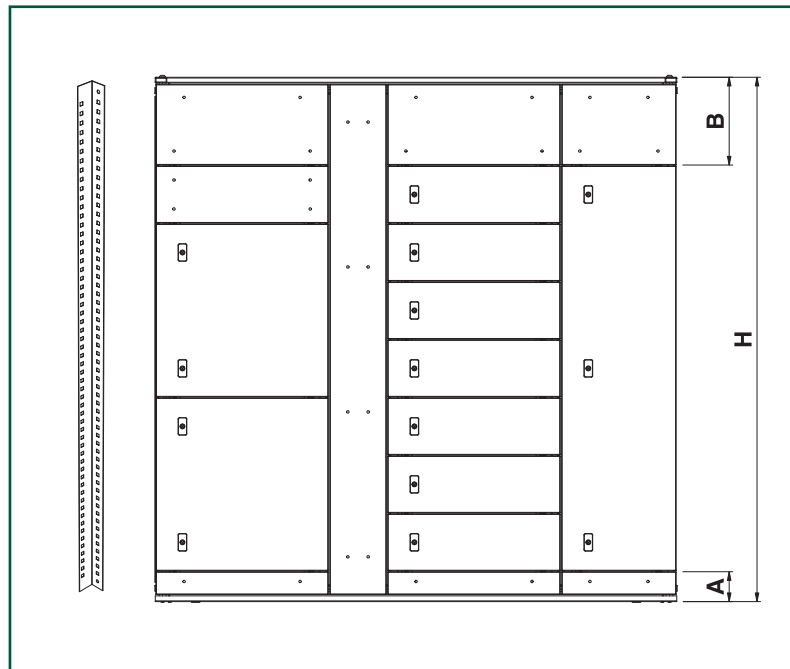
CHARACTERISTICS

Manufactured from 1.5 mm thick sendzimir sheet steel.

SUPPLY

Includes 2 pieces with mounting accessories.

INNER UPRIGHTS			
WTPL CODE	CAB. HEIGHT H	FRONT PAN. HEIGHT	
		A	B
WTPL-001600	1800	100	300
WTPL-001600	1800	300	300
WTPL-001800	1800	100	100
WTPL-001800	1800	300	100
WTPL-001800	2000	100	300
WTPL-001800	2000	300	300
WTPL-002000	2000	100	100
WTPL-002000	2000	300	100
WTPL-002000	2200	100	300
WTPL-002000	2200	300	300
WTPL-002200	2200	100	100
WTPL-002200	2200	300	100



Modular

MOUNTING BRACKETS FOR INNER UPRIGHTS EUTL

Fixed along the depth of the cabinet allows the upper fixing of WTPL uprights.

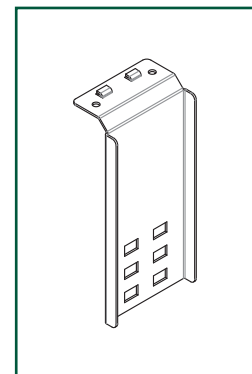
CHARACTERISTICS

Manufactured from 2.0 mm thick sendzimir sheet steel.

SUPPLY

Includes 1 piece with mounting accessories.

MOUNTING BRACKET FOR UPRIGHTS	
EUTL CODE	CUBICLE DEPTH
EUTL-000250	250
EUTL-000350	350



RAIL FOR INNER UPRIGHTS EUTG - L

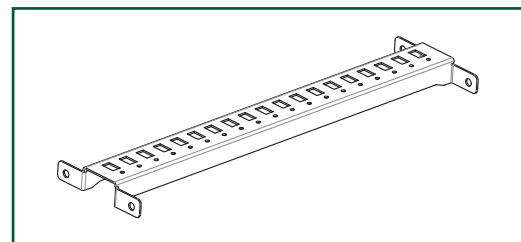
CHARACTERISTICS

Manufactured from 2.0 mm thick sendzimir sheet steel.

SUPPLY

Includes 2 pieces with mounting accessories.

RAIL FOR INNER UPRIGHTS	
EUTG - L CODE	CABINET DEPTH
EUTG-000400L	400
EUTG-000500L	500
EUTG-000600L	600
EUTG-000800L	800



HORIZONTAL MODULAR DIVIDING PANEL EUDM

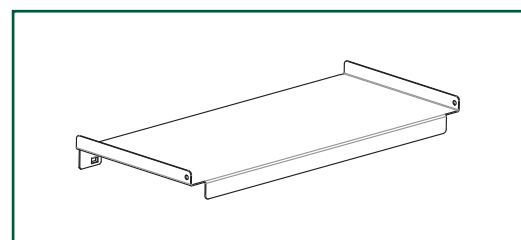
CHARACTERISTICS

Manufactured from 1.5 mm thick sendzimir sheet steel.

SUPPLY

Includes 1 piece with mounting accessories.

HORIZ. MODULAR DIVIDING PANEL		
EUDM CODE	WIDTH	DEPTH
EUDM-040025	400	250
EUDM-040035	400	350
EUDM-060025	600	250
EUDM-060035	600	350
EUDM-080025	800	250
EUDM-080035	800	350



CUBICLE EUCM

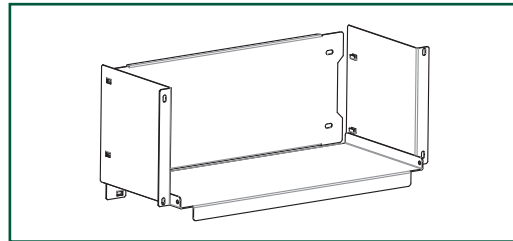
CHARACTERISTICS

Manufactured from 1.5 mm thick sendzimir sheet steel.

SUPPLY

Includes 1 cubicle with mounting accessories comprising off:

- 1 horizontal plate
- 2 vertical covers
- 1 divided plate.



CUBICLE			
EUCM CODE	WIDTH	HEIGHT	DEPTH
EUCM-4001525	400	150	250
EUCM-4001535	400	150	350
EUCM-4002025	400	200	250
EUCM-4002035	400	200	350
EUCM-4002525	400	250	250
EUCM-4002535	400	250	350
EUCM-4003025	400	300	250
EUCM-4003035	400	300	350
EUCM-4004025	400	400	250
EUCM-4004035	400	400	350
EUCM-6001525	600	150	250
EUCM-6001535	600	150	350
EUCM-6002025	600	200	250
EUCM-6002035	600	200	350
EUCM-6002525	600	250	250
EUCM-6002535	600	250	350
EUCM-6003025	600	300	250
EUCM-6003035	600	300	350
EUCM-6004025	600	400	250
EUCM-6004035	600	400	350
EUCM-6006025	600	600	250
EUCM-6006035	600	600	350
EUCM-6008025	600	800	250
EUCM-6008035	600	800	350
EUCM-6010025	600	1000	250
EUCM-6010035	600	1000	350
EUCM-6012025	600	1200	250
EUCM-6012035	600	1200	350
EUCM-8003025	800	300	250
EUCM-8003035	800	300	350
EUCM-8004025	800	400	250
EUCM-8004035	800	400	350
EUCM-8006025	800	600	250
EUCM-8006035	800	600	350
EUCM-8008025	800	800	250
EUCM-8008035	800	800	350
EUCM-8010025	800	1000	250
EUCM-8010035	800	1000	350
EUCM-8012025	800	1200	250
EUCM-8012035	800	1200	350

PLATE ADJUSTER WA

CHARACTERISTICS

Manufactured from 1.5 mm thick sendzimir sheet steel.

SUPPLY

Includes 2 pieces with mounting screws.

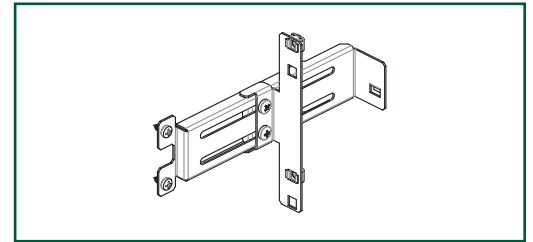


PLATE ADJUSTER	
WA CODE	CUBICLE DEPTH
WA977	250
WA978	350

Note: when H ≥ 600, order 2 packages.

RAIL FOR CABLE ENTRY DIVISION EUTG

CHARACTERISTICS

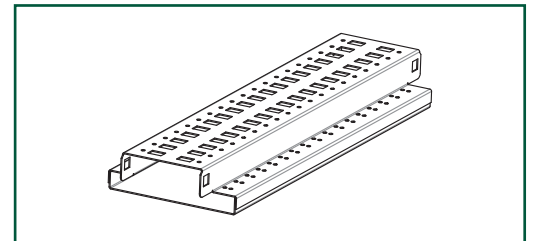
Manufactured from sheet steel.

SUPPLY

Includes 1 piece with mounting accessories.

PAINT FINISH

Colour: RAL 7035 smooth finish.



RAIL FOR CABLE ENTRY DIVISION	
EUTG CODE	CABINET DEPTH
EUTG000400	400
EUTG000500	500
EUTG000600	600
EUTG000800	800

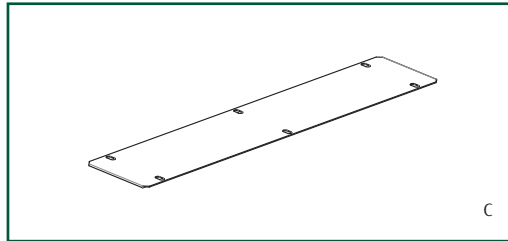
CABLE ENTRY PLATE EUTM

CHARACTERISTICS

Manufactured from 1.0 mm thick sendzimir sheet steel.

SUPPLY

Includes 1 piece.



CABLE ENTRY PLATE

CODE	CABINET	COLUMN
EUTM	DEPTH	WIDTH
EUTM000400	400	200
EUTM000500	500	200
EUTM000600	600	200
EUTM000800	800	200

Modular

CABLE ENTRY PLATE WTTG

CHARACTERISTICS

Manufactured from 1.0 mm thick sendzimir sheet steel.

SUPPLY

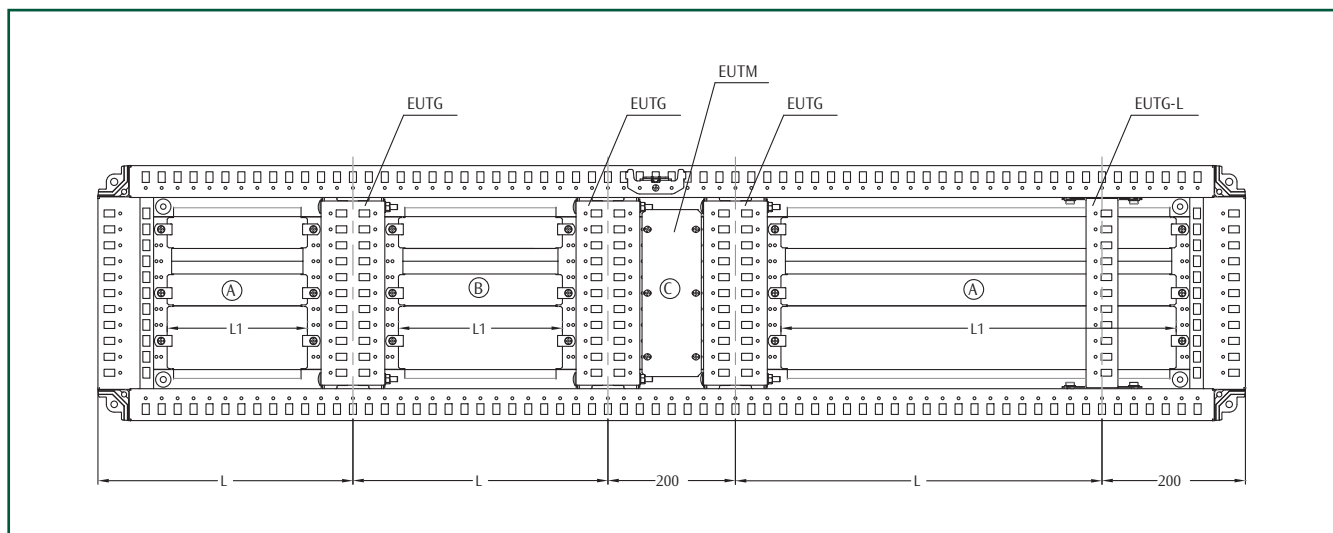
Includes 1 piece with mounting accessories.

CABLE ENTRY PLATE

COLUMN WIDTH	CABLE ENTRY PLATE TYPE "A"		CABLE ENTRY PLATE TYPE "B"			
	CODE	L1	P	CODE	L1	P
400	WTTG-040050A	220	50	WTTG-040050B	257	50
400	WTTG-040100A	220	100	WTTG-040100B	257	100
600	WTTG-060050A	420	50	WTTG-060050B	457	50
600	WTTG-060100A	420	100	WTTG-060100B	457	100
800	WTTG-080050A	620	50	WTTG-080050B	657	50
800	WTTG-080100A	620	100	WTTG-080100B	657	100

CABLE ENTRY PLATE

CABINET DEPTH	NR. OF CABLE ENTRY PLATE TYPE "A" OR TYPE "B"	
	P=50	P=100
400	2	1
500	2	5
600	2	3
800	2	5







PC

e NUX

PC SOLUTIONS

FEATURES

ETA offer for PC solutions includes PC enclosures with sliding shelf on E NUX structure, assembled or in flat-pack version, with a modular front based on your specific requirements.



The PC cabinet with Pull-out Keyboard is available assembled or in flat-pack version.

ASSEMBLED VERSION

E NUX cabinet structure complete with high-strength low-alloy sheet steel uprights and bottom, roof and rear panel manufactured from sheet steel.

The front section is composed by:

- plexi upper door for monitor vision
- pull-out Keyboard with tilting front, complete with adjustable mouse pad
- sealed section to separate keyboard compartment/ enclosure, complete with: cable gland for keyboard and mouse, bi-adhesive tape for keyboard installation and monitor support
- lower blank front door.

FLAT-PACK VERSION

A pair of high-strength low-alloy sheet steel front uprights. Roof manufactured from sheet steel and high-strength low-alloy sheet steel bottom.

The front section is composed by:

- upper plexi door for monitor vision, upper screwed blank panel or upper hinged blank door.
- pull-out Keyboard or blank panel
- lower hinged blank door.

PAINT FINISH

ETA standard epoxy polyester powder coating:

- structure: colour RAL 7035 smooth finish
- PC front and rear door: colour RAL 7035 textured finish
- roof: colour RAL 5020 textured finish.

PROTECTION RATING

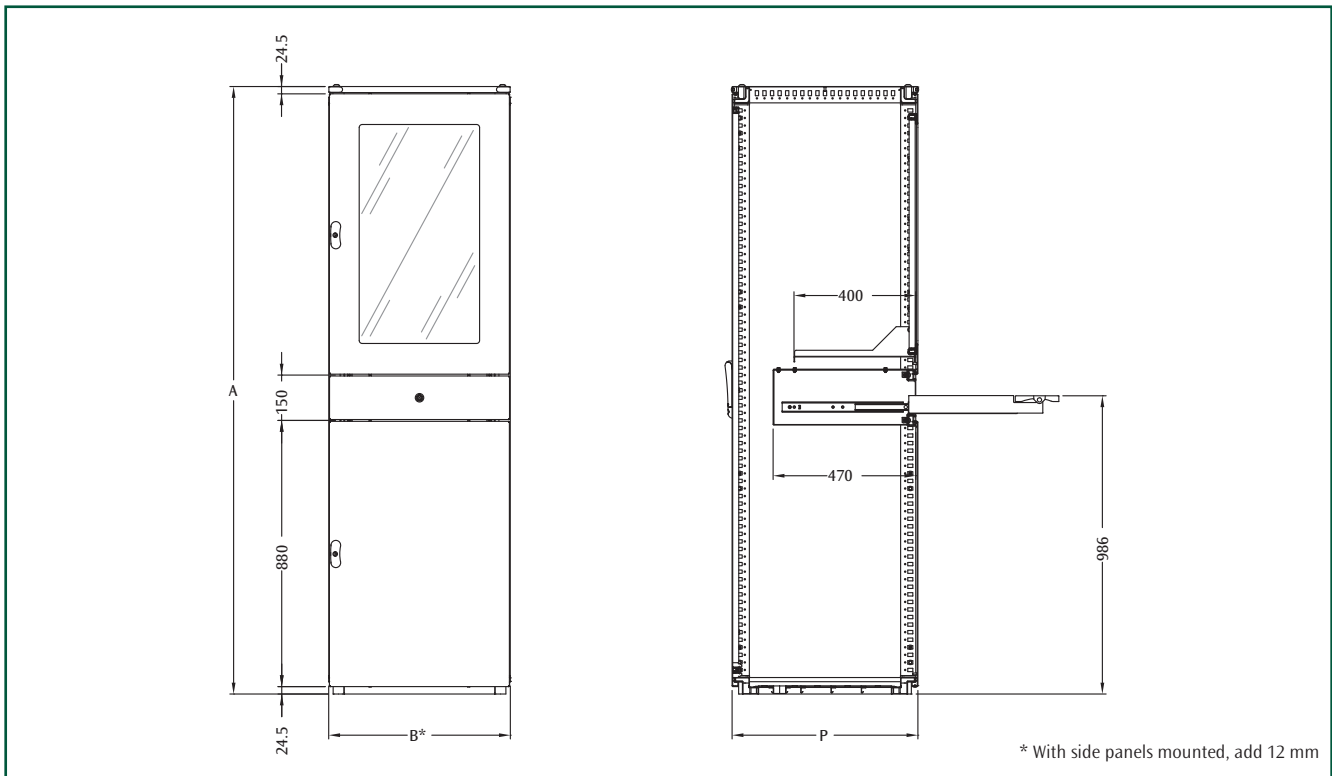
IP55.



Side panels EUFI, see page 63.



Universal plinth EUZE, see page 65.



PC

DIMENSIONAL SPECIFICATIONS

DIMENSIONS			CABINET DIMENSIONS		
WIDTH	HEIGHT	DEPTH	B*	A	P
600	1800	600	600	1809	614
600	1800	800	600	1809	814
600	2000	600	600	2009	614
600	2000	800	600	2009	814

CODES FOR ASSEMBLED PC ENCLOSURE WITH SLIDING SHELF

DIMENSIONS			E NUX CODE
WIDTH	HEIGHT	DEPTH	
600	1800	600	EUPC061806CEC
600	1800	800	EUPC061808CEC
600	2000	600	EUPC062006CEC
600	2000	800	EUPC062008CEC

CODES FOR FLAT-PACK ENCLOSURE WITH SLIDING SHELF

DIMENSIONS			CABINET STRUCTURE			FRONT PC COMPOSITION OPTIONS			
WIDTH	HEIGHT	DEPTH	TOP + BOTTOM	FRONTAL UPRIGHTS	REAR BLANK DOOR + UPRIGHTS	UPPER PLEXI DOOR (A)	UPPER BLANK DOOR (A)	KEYBOARD (B)	BLANK PANEL (C)
600	1800	600	EUTF060060	EUMT001800	EUPO060180	EUPC180PV	EUPC180PC	EUPC0001CE	EUPC180PN
600	1800	800	EUTF060080	EUMT001800	EUPO060180	EUPC200PV	EUPC200PC	EUPC0001CE	EUPC200PN
600	2000	600	EUTF060060	EUMT002000	EUPO060200	EUPC180PV	EUPC180PC	EUPC0001CE	EUPC180PN
600	2000	800	EUTF060080	EUMT002000	EUPO060200	EUPC200PV	EUPC200PC	EUPC0001CE	EUPC200PN

Note: other options are available as alternative solutions for the upper, central and lower part of the front.

UPPER PLEXI DOOR EUPC - PV

CHARACTERISTICS

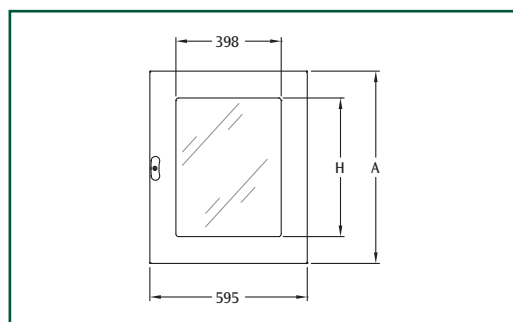
Manufactured from 2.0 mm thick sheet steel with plexi.

PAINT FINISH

Colour: RAL 7035 textured finish.

SUPPLY

Door with internal mounting profile, hinges and mounting accessories.



UPPER PLEXI DOOR

EUPC CODE	CABINET HEIGHT	A	H
EUPC180PV	1800	727	524
EUPC200PV	2000	927	724

UPPER HINGED BLANK DOOR EUPC - PC

CHARACTERISTICS

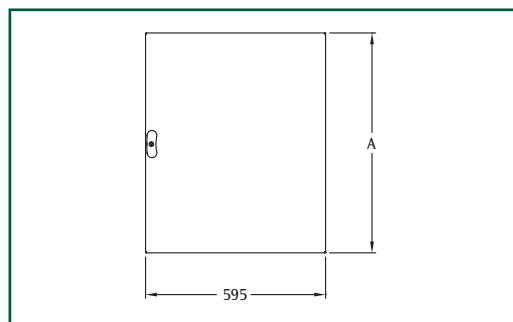
Manufactured from 2.0 mm thick sheet steel.

PAINT FINISH

Colour: RAL 7035 textured finish.

SUPPLY

Door with internal mounting profile, hinges and mounting accessories.



UPPER HINGED BLANK DOOR

EUPC CODE	CABINET HEIGHT	A
EUPC180PC	1800	727
EUPC200PC	2000	927

UPPER SCREWED BLANK PANEL EUPC - PN

CHARACTERISTICS

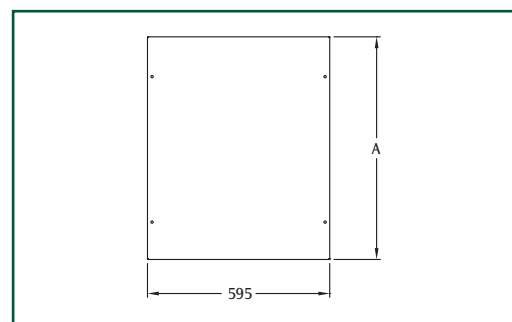
Manufactured from 1.5mm thick sheet steel.

PAINT FINISH

Colour: RAL 7035 textured finish.

SUPPLY

Panel with internal mounting profile and mounting accessories.



UPPER SCREWED BLANK PANEL

EUPC CODE	CABINET HEIGHT	A
EUPC180PN	1800	727
EUPC200PN	2000	927

PULL-OUT KEYBOARD EUPC001CE

CHARACTERISTICS

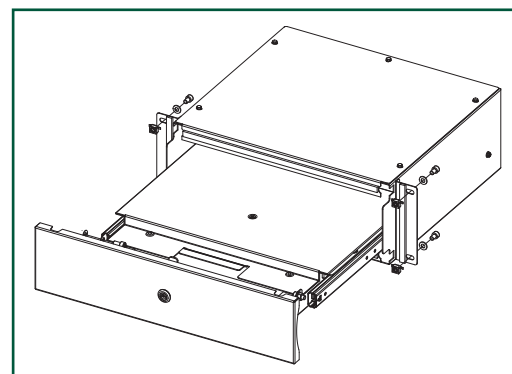
Manufactured from 1.5 mm thick sheet steel.

PAINT FINISH

Colour: RAL 7035 textured finish.

SUPPLY

Keyboard shelf with tilting front, complete with adjustable mouse pad and double bar central closure.



BLANK PANEL EUPC015PN

CHARACTERISTICS

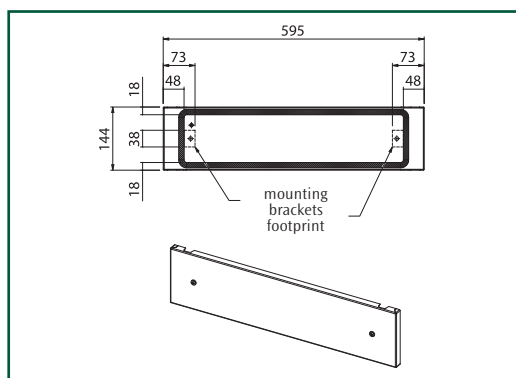
Manufactured from 1.5 mm thick sheet steel.

PAINT FINISH

Colour: RAL 7035 textured finish.

SUPPLY

Blank panel with mounting accessories.



LOWER HINGED BLANK DOOR EUPC - C

CHARACTERISTICS

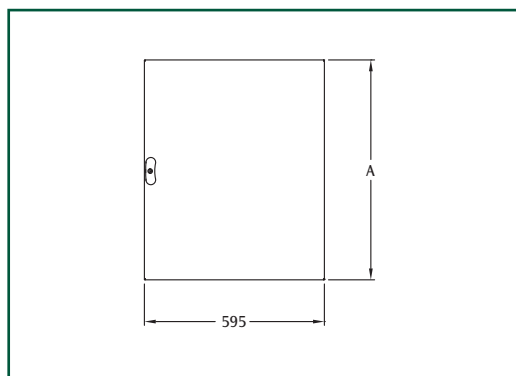
Manufactured from 2.0 mm thick sheet steel.

PAINT FINISH

Colour: RAL 7035 textured finish.

SUPPLY

Door with internal mounting profile, hinges and mounting accessories.



LOWER HINGED BLANK DOOR

EUPC CODE	CABINET HEIGHT	A
EUPC180C	1800	877
EUPC200C	2000	877

STRUCTURAL UPRIGHTS EUMT

CHARACTERISTICS

Manufactured from high-strength low-alloy sheet steel.

PAINT FINISH

Colour: RAL 7035 smooth finish.

SUPPLY

Includes 2 pieces.

STRUCTURAL UPRIGHTS

EUMT CODE	CABINET HEIGHT
EUMT001800	1800
EUMT002000	2000

Note: to be ordered for the flat-pack version. To complete the configuration, you have to add the codes for the blank door EUPO (see page 135) and the codes for the roof/bottom EUTF (see page 135).

SLIDING SHELF WTRS000600

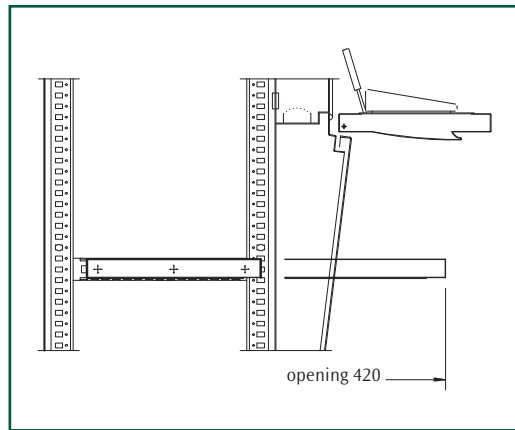
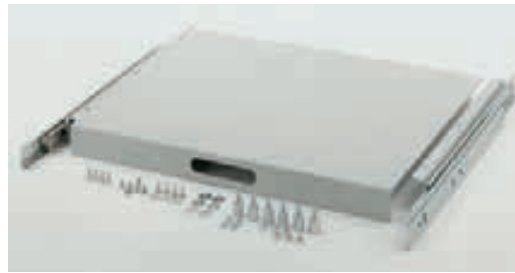
CHARACTERISTICS

Manufactured from 1.5 mm thick sheet steel.
Maximum capacity 30 kgs.

SUPPLY

Single piece with sliding rails.

Note: mounting profiles WTPR (2 pieces for each package) to be ordered separately.



MOUNTING PROFILES FOR WTRS

WTPR CODE	CABINET DEPTH
WTPR050040CP	400
WTPR050050CP	500
WTPR050060CP	600
WTPR050080CP	800

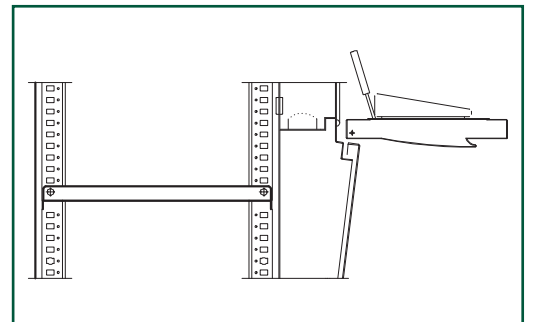
FIXED SHELF WTRP

CHARACTERISTICS

Manufactured from 2.0 mm thick sheet steel.

SUPPLY

Single piece with mounting accessories.



FIXED SHELF

WTRP CODE	CABINET DEPTH
WTRP060050	500
WTRP060060	600
WTRP060080	800

MONITOR SUPPORT WTPU000600

CHARACTERISTICS

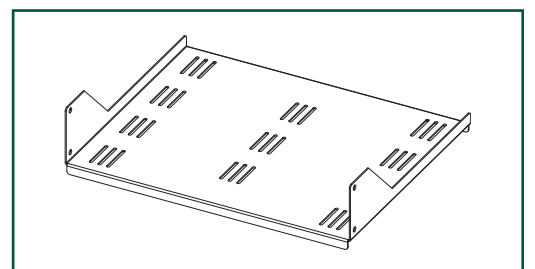
Manufactured from 1.5 mm thick sheet steel.

PAINT FINISH

Colour: RAL 7035 textured finish.

SUPPLY

Support complete with mounting accessories.



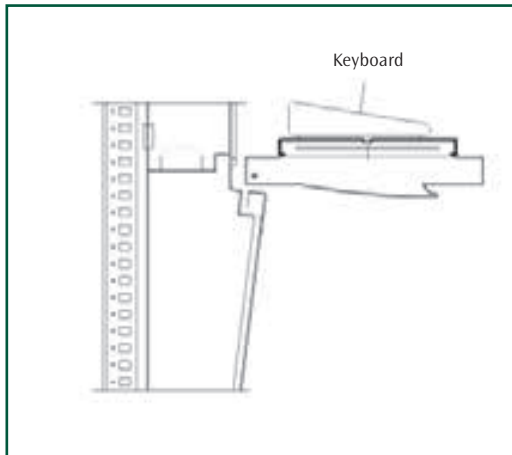
KEYBOARD SHELF WITH MOUSE PAD WTMS001

CHARACTERISTICS

Keyboard shelf manufactured from 1.5 mm thick sheet steel with lateral sliding mouse pad.

SUPPLY

Includes 1 piece with mounting accessories.



Note: maximum keyboard dimensions W 500 x H 55 x D 240.

WHEEL WTRU-001

High quality polyamide wheel. Load capacity 120 kgs for each wheel.

SUPPLY

Includes 4 pieces (2 wheels with brake, 2 rotating wheels).



PC





Rack 19"

e nux

RACK 19" AND NETWORKING SOLUTIONS

FEATURES

In full respect of the sustainability and compatibility philosophy, the system of suite cabinets E NUX can be integrated with a range of specific accessories for each solution.

The suite cabinets E NUX "evolves" into solutions for networking through the implementation of a dedicated line of accessories:

- shelves
- supports
- accessories for natural ventilation.

In certain applications, the wide range of 19" components, totally compatible with E NUX, represents the necessary completion of the cabinets:

- full or partial height 19" rack frames with 90-degree or 180-degree opening
- 19" rack frames for heavy load fixing
- 19" rack uprights or system plus
- rack frames
- fixed or removable shelves
- solid or punched 19" rack panels.

600 SWING FRAME EUTR

CHARACTERISTICS

Frame manufactured from 1.5 mm thick press bent sheet steel rails and 2.0 mm thick box-shaped horizontal profiles that give high strength.

PAINT FINISH

ETA standard epoxy powder coating.
Colour: RAL 7035 textured finish.

SUPPLY

- rack frame with two double bar locking systems
ø 3 mm
- 90° rotating hinges complete with accessories
- closing latches.

800 SWING FRAME EUTR

CHARACTERISTICS

Frame and box-shaped horizontal profiles manufactured from 2.0 mm thick sheet steel which offer high strength.

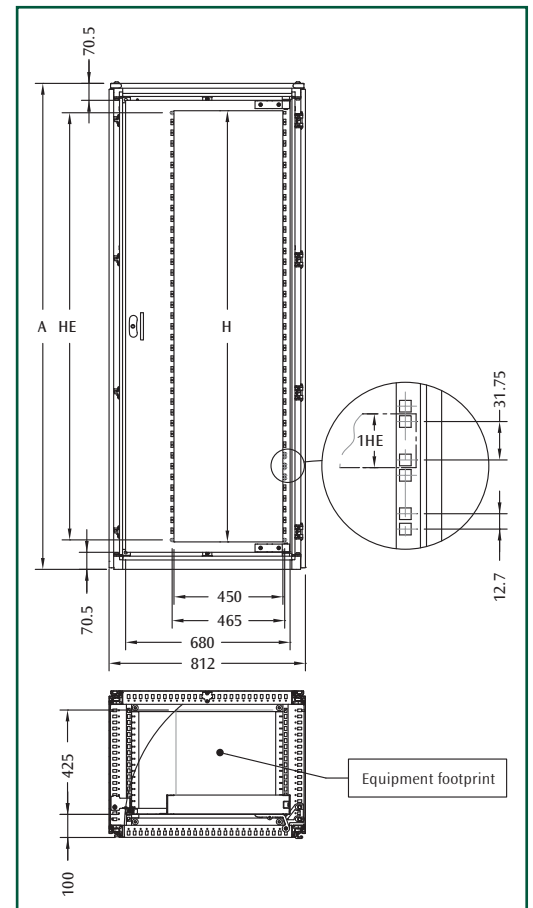
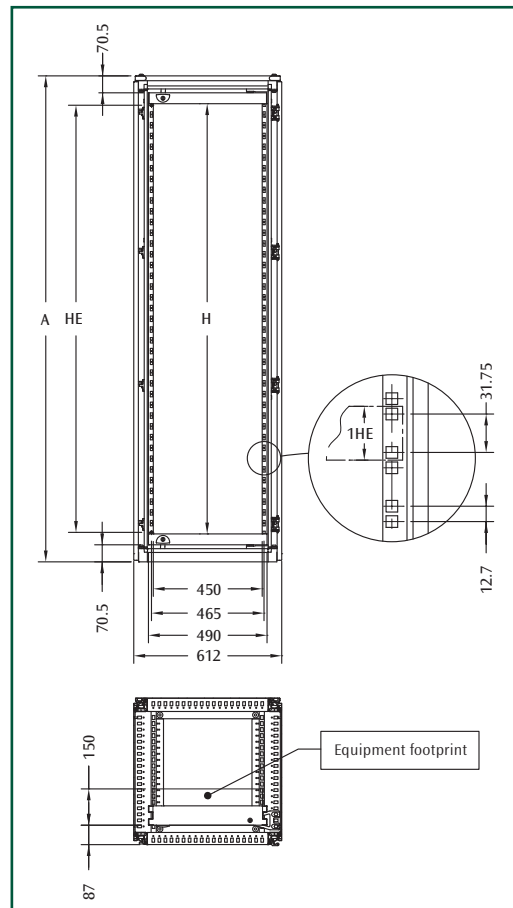
PAINT FINISH

ETA standard epoxy powder coating.
Colour: RAL 7035 textured finish.

SUPPLY

- rack frame with ø 3 mm double bar locking system
- 180° rotating hinges complete with accessories
- closing latches.

Maximum carrying capacity: 180 kgs.



SWING FRAME W=600

EUTR CODE	DIMENSIONS		
	A	H	HE
EUTR035060	1809	1559	35
EUTR040060	2009	1782	40
EUTR044060	2209	1959	44

Only rotation 90°.

SWING FRAME W=800

EUTR CODE	DIMENSIONS		
	A	H	HE
EUTR035080	1809	1559	35
EUTR040080	2009	1782	40
EUTR044080	2209	1959	44

Only rotation 180°.

CENTRAL SWING FRAME EUTR - C

CHARACTERISTICS

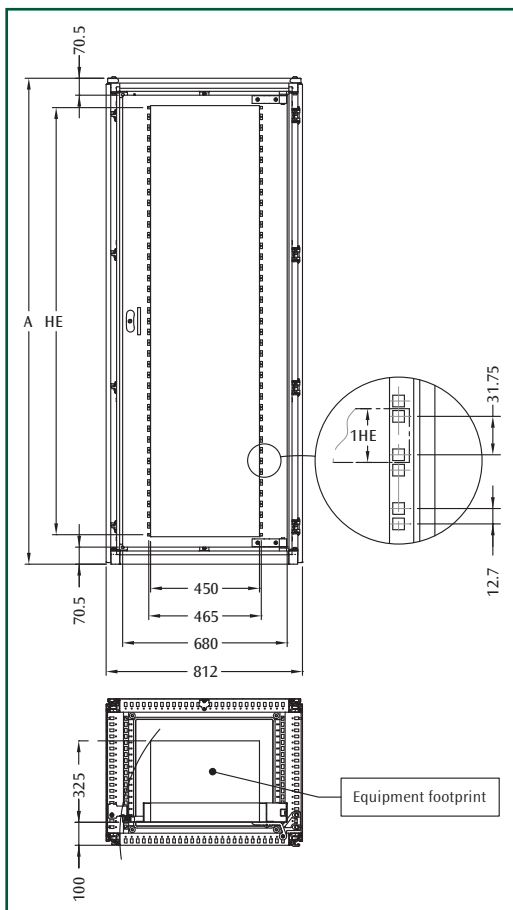
Frame and box-shaped horizontal profiles manufactured from 2.0 mm thick sheet steel which offer high strength.

PAINT FINISH

ETA standard epoxy polyester powder coating.
Colour: RAL 7035 textured finish.

SUPPLY

- rack frame with \varnothing 3 mm double bar locking system
- 180° rotating hinges complete with accessories
- closing latches.



CENTRAL SWING FRAME W=800

EUTR CODE	DIMENSIONS		
	A	H	HE
EUTR035080C	1809	1559	35
EUTR040080C	2009	1782	40
EUTR044080C	2209	1959	44

Only rotation 180°.

RAILS FOR FIXING HEAVY LOADS EUTV

CHARACTERISTICS

Rails manufactured from 2.5 mm thick sheet steel, with 2 nylon guide brackets to facilitate the frame closing and to prevent accidental movements during transport.

Maximum load capacity 250 kgs.

PAINT FINISH

ETA standard epoxy polyester powder coating.
Colour: RAL 7035 smooth finish.

SUPPLY

Includes 2 pieces, complete with guide brackets (2 for each rail) and mounting accessories.



RAILS FOR FIXING HEAVY LOADS

EUTV CODE	CABINET DIMENSIONS WIDTH
EUTV000600	600
EUTV000800	800

PARTIAL HEIGHT SWING FRAME

CHARACTERISTICS

Frame and box-shaped rails manufactured from 2.0 mm thick sheet steel which offer high strength.

PAINT FINISH

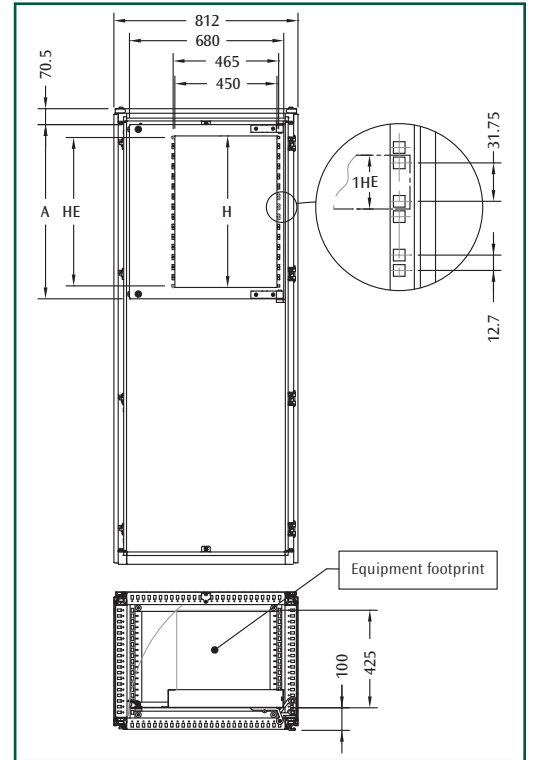
ETA standard epoxy polyester powder coating. Colour RAL 7035 textured finish.

SUPPLY

- rack frame with two double bar locking system \varnothing 3 mm
- 180° rotating hinges with fixing accessories.
- closing latches.

PARTIAL HEIGHT SWING FRAME			
EUTR CODE	DIMENSIONS		
	A	H	HE
EUTR009080	493	402	9
EUTR012080	643	534	12
EUTR015080	768	668	15

Note: to be ordered separately: fixing rails WTTR.



Only rotation 180°.

FIXING RAILS FOR EUTR

WTTR CODE	DEPTH
WTTR-000500	500
WTTR-000600	600
WTTR-000800	800
WTTR-001000	1000

SUPPLY

Includes 1 piece complete with mounting accessories.

FIXED FRAME EUCR

CHARACTERISTICS

Manufactured from 2.0 mm thick sheet steel. To be used to mount rack equipment.

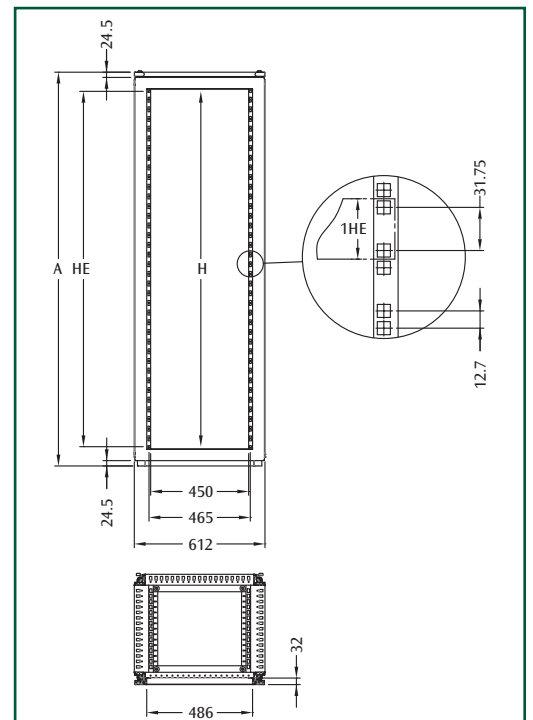
PAINT FINISH

ETA standard epoxy polyester powder coating. Colour: RAL 7035 textured finish.

SUPPLY

Includes 1 piece complete with cabinet uprights and mounting accessories.

FIXED FRAME			
EUCR CODE	DIMENSIONS		
	A	H	HE
EUCR028060	1409	1252	28
EUCR032060	1609	1429	32
EUCR037060	1809	1652	37
EUCR041060	2009	1829	41
EUCR046060	2209	2052	46



FRAME STOP EUFR-001

It allows the stop of the rack frame at 150° avoiding its accidental closing*.

SUPPLY

Includes 1 piece with mounting accessories.

* Available for rack frame EUTR W=800 mm

Note: in case of mounting with crosspieces for heavy loads, order EUFR-002.



“L” RAILS EURL

CHARACTERISTICS

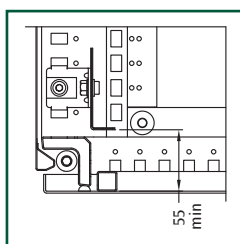
Manufactured from 2.0 mm thick press bent sheet steel.

PAINT FINISH

ETA standard epoxy polyester powder coating.
Colour: RAL 7035 textured finish.

SUPPLY

Includes 2 rails complete with mounting accessories.



“L” RAILS		
EURL CODE	CABINET HEIGHT	HE
EURL033060	1600	33
EURL038060	1800	38
EURL042060	2000	42
EURL047060	2200	47

Rack 19"

“U” RAILS EURU

CHARACTERISTICS

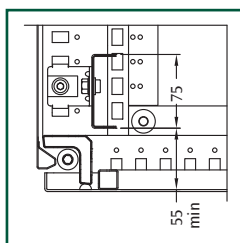
Manufactured from 2.0 mm thick press bent sheet steel.

PAINT FINISH

ETA standard epoxy polyester powder coating.
Colour: RAL 7035 textured finish.

SUPPLY

Includes 2 pieces complete with mounting accessories.



“U” RAIL EURU		
EURU CODE	CABINET HEIGHT	HE
EURU033060	1600	33
EURU038060	1800	38
EURU042060	2000	42
EURU047060	2200	47

“SYSTEM PLUS” 19” RAILS WTMK

Designed for assembling 19” items or modular equipment on DIN rails.

CHARACTERISTICS

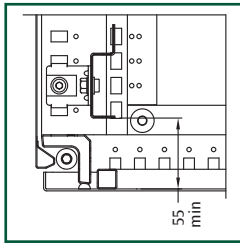
Manufactured from 1.5 mm thick press bent sheet steel.

PAINT FINISH

ETA standard epoxy polyester powder coating.
Colour: RAL 7035 textured finish.

SUPPLY

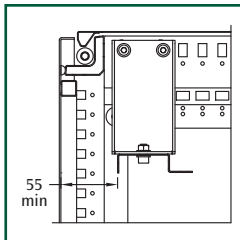
Includes 2 pieces complete with mounting accessories.



Rack 19”

SYSTEM PLUS 19” RAILS

WTMK CODE	CABINET HEIGHT	HE
WTMK331600	1600	33
WTMK381800	1800	38
WTMK422000	2000	42
WTMK472200	2200	47



FIXING BRACKETS WTKK000800

Designed for the fixation of WTMK rails on cabinets 800 mm wide.

CHARACTERISTICS

Manufactured from 3.0 mm thick press bent sheet steel.

PAINT FINISH

ETA standard epoxy polyester powder coating.
Colour: RAL 7035 textured finish.

SUPPLY

Includes 4 pieces complete with mounting accessories.



SHELF FOR FRONTAL FIXING WTRI

In addition to the front fixation, this shelf is locked with two other points on the inner side of the 19” System Plus profile/rail, to increase the load carrying capacity and the stability.
Shelf (2 HE) with ventilation openings.
Maximum load carrying capacity: 50 kgs.

CHARACTERISTICS

Manufactured from 1.5 mm thick press bent sheet steel.

SUPPLY

Includes 1 painted piece, with mounting accessories.



SHELF FOR FRONTAL FIXING

WTRI CODE	SHELF DEPTH
WTRI020300	300
WTRI020400	400
WTRI020500	500
WTRI020600	600

FIXED OR SLIDING SHELF WTRI FOR 19" APPLICATIONS

Shelf with ventilation openings manufactured from 1.5 mm thick sheet steel.

Fixed shelf: load carrying capacity 70 kgs.

Sliding shelf: load carrying capacity 40 kgs.

PAINT FINISH

ETA standard epoxy polyester powder coating.

Colour: RAL 7035 textured finish.

SUPPLY

Includes 1 piece.

Note: to be ordered separately: sliding guides or, if the shelf is fixed, kit ELRP-001 (package of accessories for fixed installation).



FIXED OR SLIDING SHELF

WTRI CODE	SHELF DEPTH	CABINET DEPTH
WTRI000365	365	500
WTRI000465	465	600
WTRI000565	565	800
WTRI000665	665	800
WTRI000765	765	1000

SLIDING GUIDES FOR SHELF WTGE

Guides designed for the fixation of the shelf. Load carrying capacity 40 kgs.

SUPPLY

Includes 2 pieces with fixing and mounting accessories.



SLIDING GUIDES FOR SHELF

WTGE CODE	SHELF DEPTH	CABINET DEPTH
WTGE-000365	365	500
WTGE-000465	465	600
WTGE-000565	565	800
WTGE-000665	665	800
WTGE-000765	765	1000

EXTRACTABLE SHELF AND MOUSE PAD WTRI000500SM

Rotary support to be fixed on an extractable shelf, allowing to attach and extract any keyboard inside the 19" structure, with mouse area.

CHARACTERISTICS

Manufactured from 1.5 mm thick press bent sheet steel.

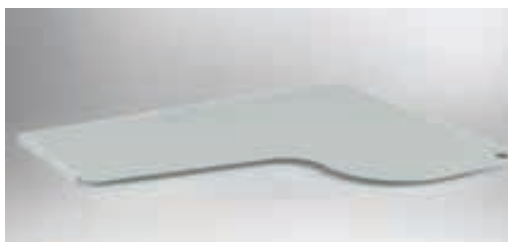
PAINT FINISH

ETA standard epoxy polyester powder coating.

Colour: RAL 7035 textured finish.

SUPPLY

Includes 1 piece complete with mounting accessories.



19" PANELS

Manufactured from 3.0 mm thick satinized aluminium. On request, panels manufactured from 1.5 mm thick sheet steel painted in RAL 7035 textured finish.

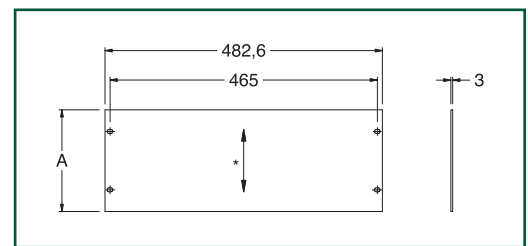
SUPPLY

Includes 1 piece.

Note: to be ordered separately: WT106 and WA107.

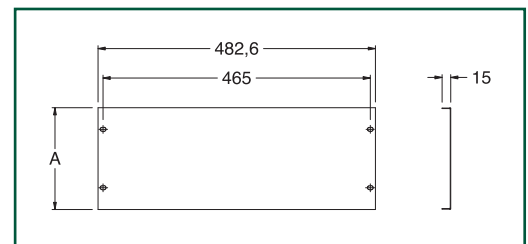


ALUMINIUM RACK PANEL		
WA CODE	HE	A
WA115	1	43,5
WA116	2	88
WA117	3	132,5
WA118	4	177
WA119	5	221,5
WA120	6	266
WA121	7	310,5
WA122	8	355
WA123	9	399,5
WA124	10	444
WA125	11	488,5
WA126	12	533



* Satinized

PAINTED RACK PANEL		
WA CODE	HE	A
WA115LB	1	43,5
WA116LB	2	88
WA117LB	3	132,5
WA118LB	4	177
WA119LB	5	221,5
WA120LB	6	266
WA121LB	7	310,5
WA122LB	8	355
WA123LB	9	399,5
WA124LB	10	444
WA125LB	11	488,5
WA126LB	12	533



Rack 19"

19" FRONT PANEL WITH OPENING WTPF030024

Designed to lodge equipment fixed on DIN rails. Front panel with modular slot that allows to lodge 24 modules, 18 mm in width and 3 units in height.

CHARACTERISTICS

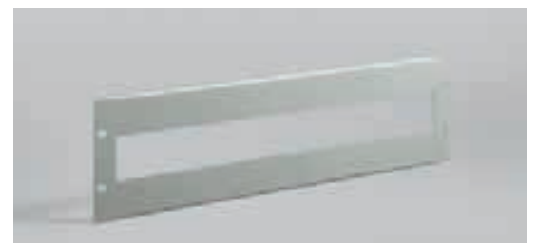
Manufactured from 1.0 mm thick press bent sheet steel.

PAINT FINISH

ETA standard epoxy polyester powder coating.
Colour: RAL 7035 textured finish.

SUPPLY

Includes 1 piece with mounting accessories.



SUPPORT BRACKETS WA990B

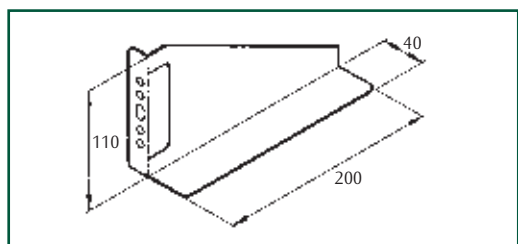
Manufactured from 2.0 mm thick sheet steel.

PAINT FINISH

ETA standard epoxy polyester powder coating.
Colour: RAL 7035 textured finish.

SUPPLY

Includes 2 pieces complete with mounting accessories.



PARTIAL SUPPORT WTSP020200

Designed to support 19" equipment.

CHARACTERISTICS

Manufactured from 1.2 mm thick press bent sheet steel.

SUPPLY

Includes 2 painted pieces with mounting accessories.



EQUIPMENT CLAMP WTEL

For fixing on shelves WTRI.

CHARACTERISTICS

Manufactured from 1.5 mm thick press bent sheet steel.

SUPPLY

Includes 2 painted pieces with mounting accessories.



EQUIPMENT CLAMP	
WTEL CODE	CABINET DEPTH
WTEL000400	600/800
WTEL000500	600
WTEL000600	800

SUPPORTING GUIDES WTSA FOR SYSTEM PLUS

For mounting on System Plus WTMK uprights (4 pieces).

CHARACTERISTICS

Manufactured from 1.5 mm thick press bent sheet steel.

SUPPLY

Includes 2 painted pieces, with mounting accessories.



Rack 19"

SUPPORTING GUIDES FOR SYSTEM PLUS	
WTSA CODE	GUIDE DEPTH
WTSA000400	400
WTSA000500	500

FLEXIBLE COPPER BRAIDS MDCO-TR250

CHARACTERISTICS

For M6 and M8 screws, 250 mm long.

SUPPLY

Includes 10 pieces.



EARTHING COPPER BAR FOR EQUIPOTENTIAL MEASURES MDS-D-CU6X6

Equipotential copper bars for ground connection (with isolators) that can be installed along the deepness or the width of the E NUX cabinets.

CHARACTERISTICS

Manufactured from 20 x 5 mm copper bars, with threaded holes.

SUPPLY

Includes 1 piece (length to be determined when ordering).



CABLE-ENTRY BRUSH WA630

To be used for an orderly cable entry with dust protection.

SUPPLY

Includes 1 piece (length to be determined when ordering).



CABLE ENTRY PANEL WITH BRUSH WTPS020000

CHARACTERISTICS

Panel (2 HE) manufactured from 1.0 mm thick press bent sheet steel.

SUPPLY

Includes 1 painted piece with mounting accessories.



CABLE ENTRY PANEL WITH OPENINGS WT1A

CHARACTERISTICS

Manufactured from 1.0 mm thick press bent sheet steel.

SUPPLY

Includes 1 painted piece, with mounting accessories.

CABLE ENTRY PANEL WITH OPENINGS

CODE WT1A	HE
WT1A010000	1
WT1A020000	2

Rack 19"



PANEL FOR CABLE GUIDE RINGS WT1C

CHARACTERISTICS

Manufactured from 1.0 mm thick press bent sheet steel, designed for 4 cable rings (not included in the supply).

SUPPLY

Includes 1 painted piece with mounting accessories.

PANEL FOR CABLE GUIDE RINGS

CODE WT1C	HE
WT1C010000	1
WT1C020000	2



CABLE GUIDE RINGS WTGC

CHARACTERISTICS

Manufactured from sheet steel painted in RAL7035, with slots on each side, to allow the installation in every positions.

SUPPLY

Includes 10 pieces.

CABLE GUIDE RINGS

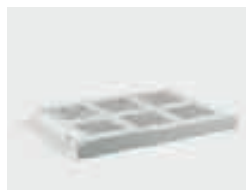
CODE WTGC	RING DIMENSIONS MM
WTGC-042042	42 x 42
WTGC-042080	42 x 80
WTGC-068096	68 x 96
WTGC-096160	96 x 160



POWER DISTRIBUTION UNITS – SOCKET STRIPS

“Intelligent” socket strips for remote management (with IP address) and standard socket strips (with/without on/off switch) available in different versions with various quantity of sockets and functional components.

Available upon request.



VENTILATION DRAWER WTDV010500

Designed to incorporate up to 6 fans.

CHARACTERISTICS

Manufactured from 1.0 mm thick press bent sheet steel.

SUPPLY

Includes 1 painted piece (without fans).



VENTILATED DOOR EUPO

Designed to increase heat exchange for the equipment mounted inside the enclosure.

CHARACTERISTICS

Manufactured from 2.0 mm thick press bent sheet steel, with holes for ventilation and ø 3 mm lever-operated double bar locking system.

SUPPLY

Door complete with 2 structural uprights and mounting accessories.

PROTECTION RATING

IP2X.

VENTILATED DOOR		
EUPO CODE	CABINET DIM.	
	WIDTH	HEIGHT
EUPO060200AV	600	2000
EUPO080200AV	800	2000

Rack 19"



VENTILATION CROSSPIECE FOR EUZE PLINTH

CHARACTERISTICS

Manufactured from 2.0 mm thick press bent sheet steel.

PAINTING

ETA standard epoxy polyester powder coating.
Colour: RAL 5020 textured finish.

SUPPLY

Includes 2 pieces.

VENT. CROSSPIECE FOR EUZE PLINTH	
EUZE CODE	CABINET WIDTH
	EUZE-T0600V
EUZE-T0800V	800



ROOF VENTILATION SPACERS WLDI-001

CHARACTERISTICS

Hexagonal pin with M12 threaded hole. 40 mm height.

SUPPLY

Includes 4 pieces.



SCREWS AND CAGE BOLTS WA108

CHARACTERISTICS

M6x16 screws with flat countersunk head, complete with under screw edge.

SUPPLY

Includes 20 screws and 20 bolts.



CAGE BOLTS M6 WT106

1 cage bolt.

SCREWS M6 WA107

1 screw with sleeve.



Rack 19"

The boxes cover a range from 3 to 21 HE and are available in 2 depths with a large cable entry. The locking system operating from the front of the box guarantees the sealing of the enclosure. The excellent appearance is achieved by external silk-screen.

CHARACTERISTICS

Three sections box manufactured from 1.5 mm thick press bent sheet steel.

Door manufactured from 2.0 mm thick sheet steel with 4 mm external silk-screen printed plexiglas complete with closing system \varnothing 3 mm double bar key. Supply includes mounting plate manufactured from 2.5 mm thick sendzimir sheet steel.

PAINT FINISH

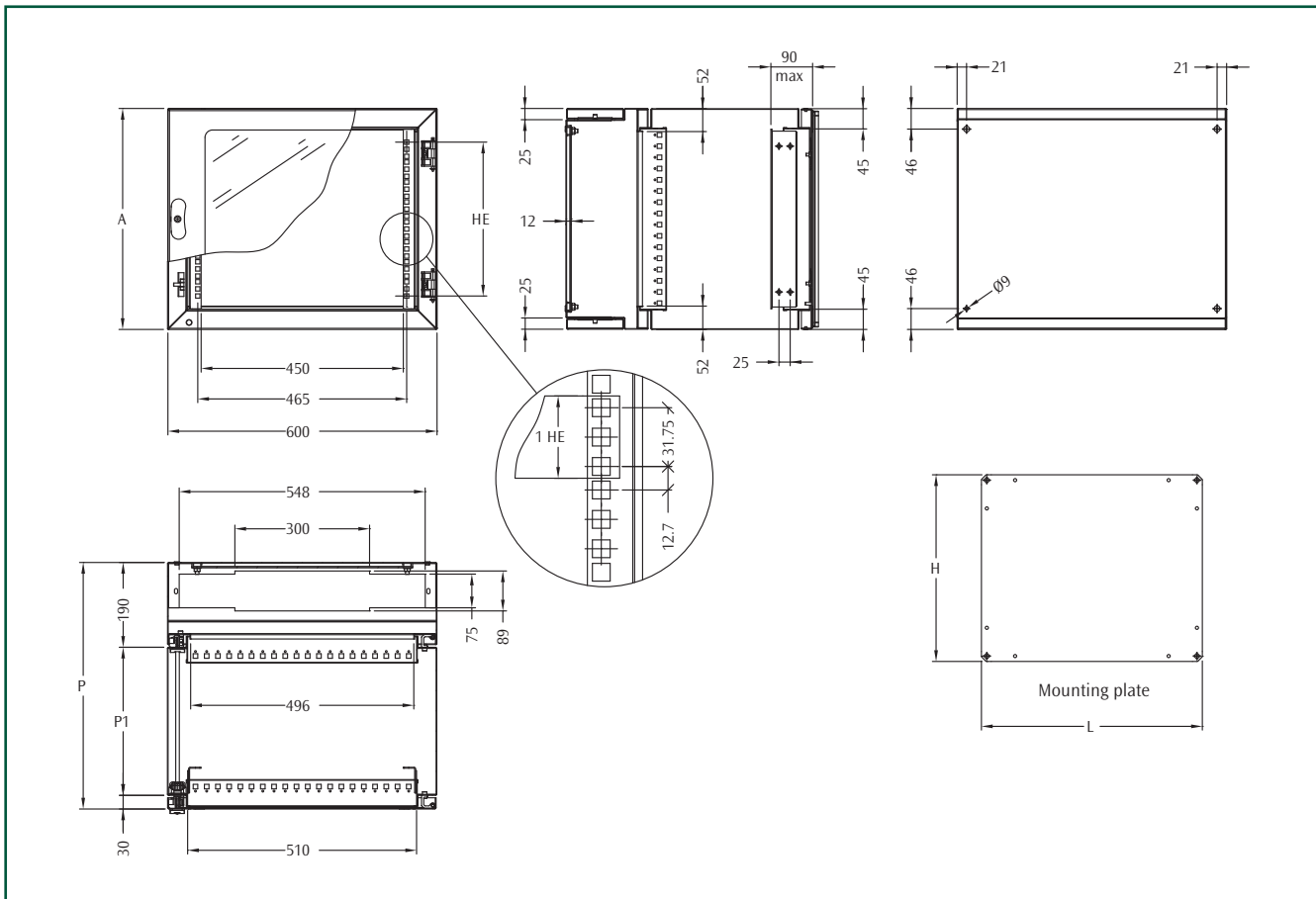
ETA standard epoxy polyester powder coating.
Colour: RAL 7035 textured finish.

PROTECTION RATING

IP55.

RACK BOXES

CR CODE	DIMENSIONS			MOUNTING PLATE		HE
	A	P	P1	L	H	
CR0345	226	450	230	492	150	3
CR0355	226	550	330	492	150	3
CR0645	359	450	230	492	283	6
CR0655	359	550	330	492	283	6
CR0945	492	450	230	492	416	9
CR0955	492	550	330	492	416	9
CR1245	626	450	230	492	550	12
CR1255	626	550	330	492	550	12
CR1545	759	450	230	492	683	15
CR1555	759	550	330	492	683	15
CR1845	892	450	230	492	816	18
CR1855	892	550	330	492	816	18
CR2145	1026	450	230	492	950	21
CR2155	1026	550	330	492	950	21



Rack 19"

RACK FRAME STTR

CHARACTERISTICS

Rack door and frame manufactured from 2.0 mm thick sheet steel.

PAINT FINISH

ETA standard epoxy polyester powder coating. Colour: RAL 7035 textured finish.

PROTECTION RATING

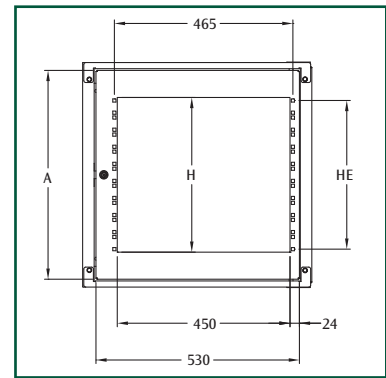
- external: as box
- internal: IP20.

SUPPLY

Includes:

- rack frame
- rack door
- \varnothing 3 mm double bar locking system
- mounting accessories

Note: see page 155 for the complete range of boxes and wall-mounted boxes ST (with blank or plexi door and with single or double door)



RACK FRAME

STTR CODE	FRAME DIMENSIONS			FOR BOXES	
	A	H	HE	ST	STP
STTR1103	343	136	3	ST6430	STP6430
STTR1106	343	269	6	ST6430	STP6430
STTR1109	543	403	9	ST6630	STP6630
STTR1112	743	536	12	ST6830	STP6830
STTR1115	743	669	15	ST6830	STP6830

BOXES

WALL-MOUNTING BOXES AND TERMINAL BOXES

ST WALL-MOUNTING BOXES WITH BLANK DOOR

STP WALL-MOUNTING BOXES WITH PLEXI DOOR

ST/STP COMPLEMENTARY ACCESSORIES

SDV TERMINAL BOXES WITH SCREWED COVER

SDF TERMINAL BOXES WITH FLANGES

SDVX TERMINAL BOXES WITH PLEXI COVER

SDVX-B SYSTEM PLUS TERMINAL BOXES

SDP TERMINAL BOXES WITH DOOR

SD COMPLEMENTARY ACCESSORIES





ST and SD

BOXES

FEATURES

- 1 Wide range of dimensions: over 40 enclosures with plain door, 19 models with glazed door, enclosures with single plain door, double door with rod locking system and enclosure with single glazed door.
- 2 Mounting plate included.
- 3 Main accessories: plinth, internal door kit and modular chassis, wall-mounting brackets, door stop kit.
- 4 Optional accessories: micro perforated plates, louvered cable entry plates and pole mounting kit.
- 5 Terminal boxes in 5 different versions, with screwed cover, clear cover, for bus system, flanged, with hinged cover.
- 6 Rack enclosures from 3 to 21 units in 450 and 550 mm depths.
- 7 Protection rating for ST boxes: IP66 - Nema 4 (single blank door) Nema 12 (double blank door and plexi door) - IK10.
- 8 High quality epoxy-polyester powder finish. Colour RAL 7035.



CHARACTERISTICS

Enclosure and door manufactured from 1.5 mm thick sheet steel. Mounting plate manufactured from 2.5 mm thick sendzimir sheet steel.

PAINT FINISH

ETA standard epoxy polyester powder coating.
Enclosure and door: colour RAL 7035 textured finish.

SUPPLY

- Box supplied with:
- door provided with locking system with \varnothing 3mm double bar key and 2 zincpassivated rails to be fixed
 - mounting plate
 - cable entry plate with sealing gasket
 - screws for earth connection and mounting accessories.

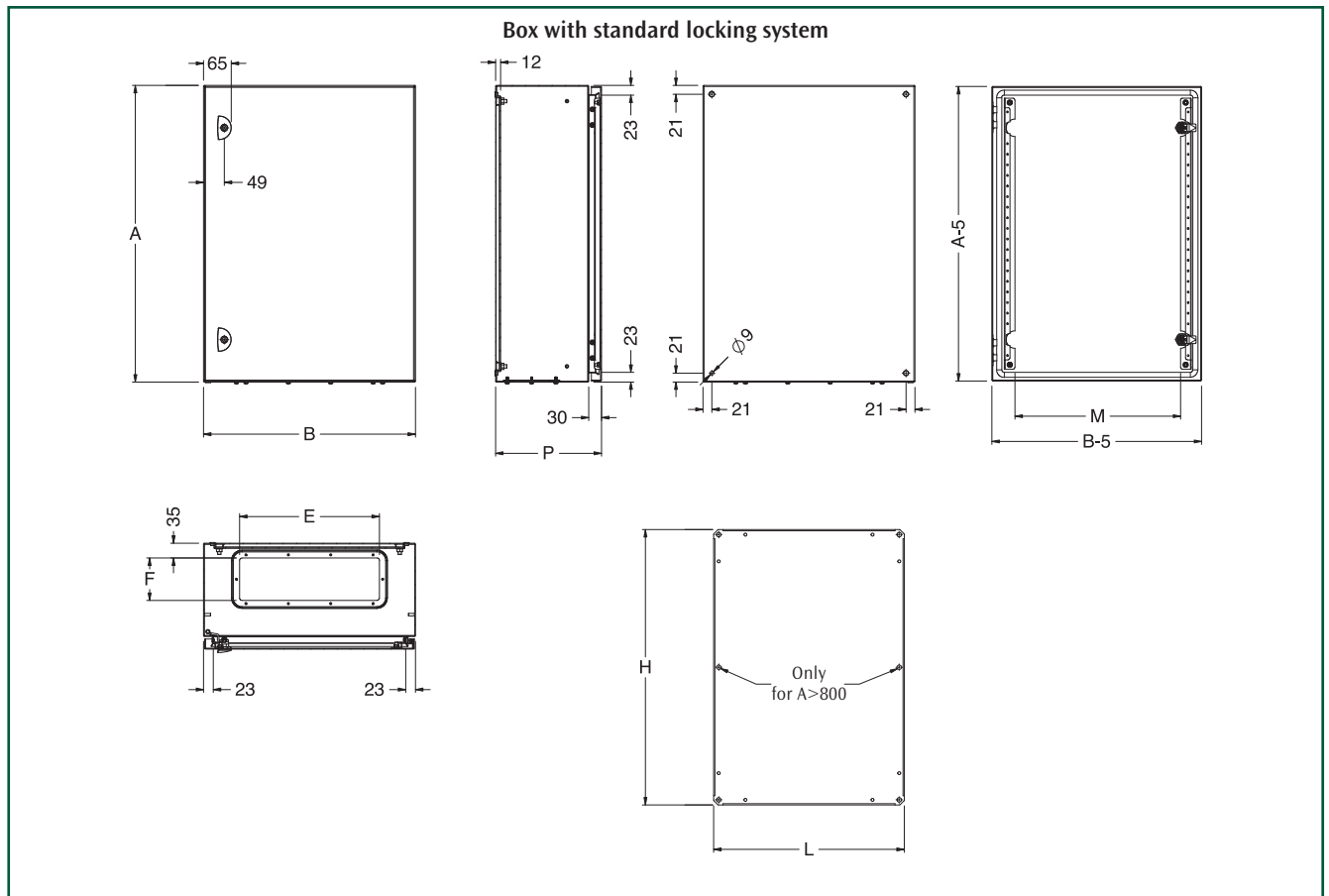
PROTECTION RATING

- IP66 complying with IEC EN62208; EN60529
- NEMA 4 complying with UL508A; UL50
- protection degree guaranteed by the two-component polyurethane foam seal
- impact resistance IK10 complying with IEC EN62208; EN62202.

Note: main accessories to be ordered separately:

- inner door, see page 164
- modular kit, see page 165
- brackets for wall mounting, see page 170.

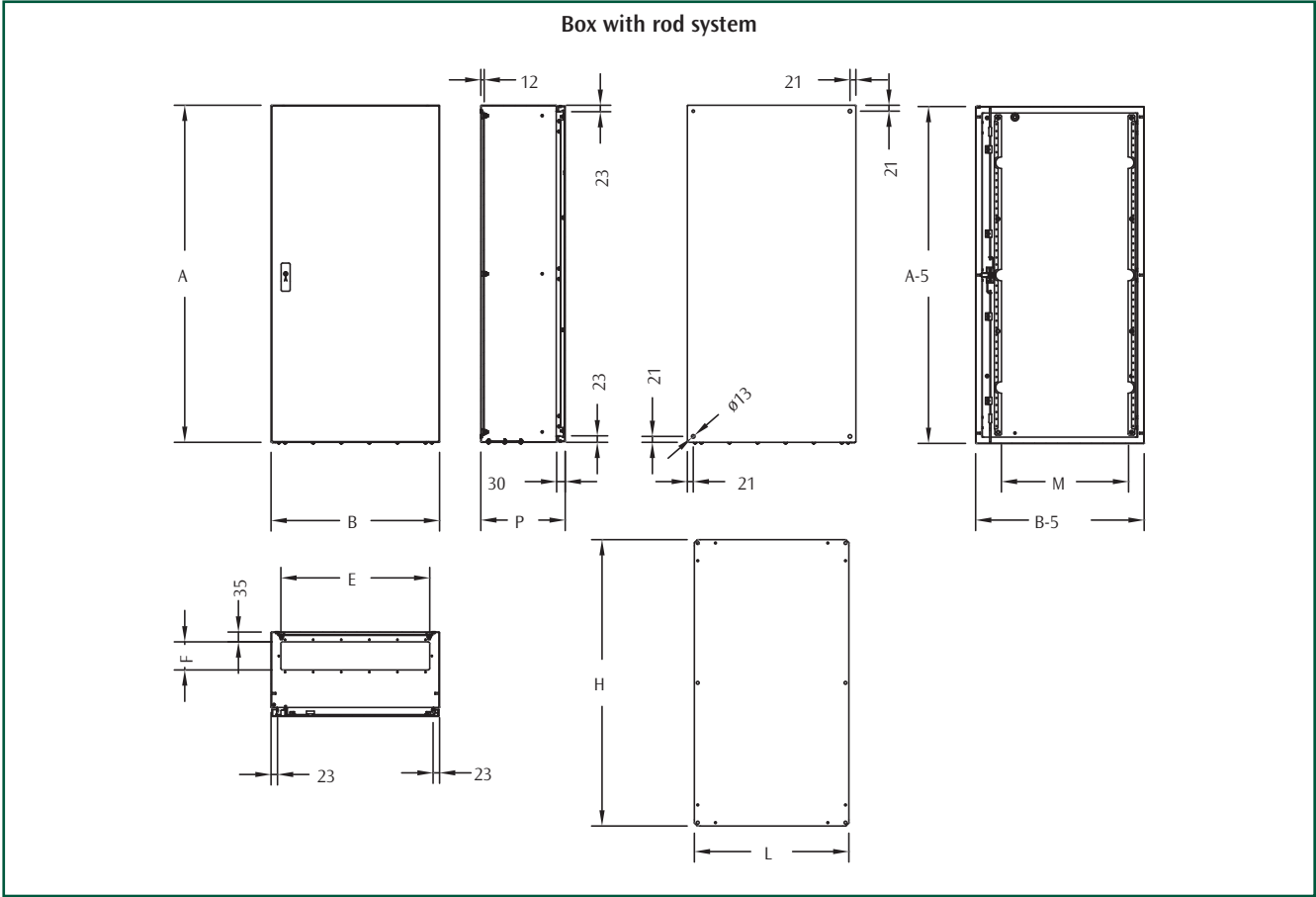
Boxes



SINGLE DOOR BOX

ST CODE	BOX DIMENSIONS			CABLE ENTRY		DOOR SPACE	MOUNTING PLATE DIM.		NUMBER OF LOCKS
	B	A	P	E	F	M	L	H	
200									
ST2315	200	300	150	130	50	91	150	250	1
300									
ST3315	300	300	150	230	50	191	250	250	1
ST3415	300	400	150	230	50	191	250	350	1
ST3420	300	400	200	230	100	191	250	350	1
ST3515	300	500	150	230	50	191	250	450	1
ST3520	300	500	200	230	100	191	250	450	1
400									
ST4315	400	300	150	230	50	291	350	250	1
ST4320	400	300	200	330	100	291	350	250	1
ST4420	400	400	200	330	100	291	350	350	1
ST4515	400	500	150	230	50	291	350	450	1
ST4520	400	500	200	330	100	291	350	450	1
ST4525	400	500	250	330	100	291	350	450	1
ST4620	400	600	200	330	100	291	350	550	2
ST4625	400	600	250	330	100	291	350	550	2
ST4640	400	600	400	330	100	291	350	550	2
500									
ST5520	500	500	200	330	100	391	450	450	1
ST5720	500	700	200	330	100	391	450	650	2
ST5725	500	700	250	330	100	391	450	650	2
600									
ST6420	600	400	200	530	100	491	550	350	1
ST6430	600	400	300	530	100	491	550	350	1
ST6620	600	600	200	530	100	491	550	550	2
ST6630	600	600	300	530	100	491	550	550	2
ST6640	600	600	400	530	100	491	550	550	2
ST6820	600	800	200	530	100	491	550	750	2
ST6825	600	800	250	530	100	491	550	750	2
ST6830	600	800	300	530	100	491	550	750	2
ST6840	600	800	400	530	100	491	550	750	2
ST61025	600	1000	250	530	100	491	550	950	2
ST61030	600	1000	300	530	100	491	550	950	2
ST61040	600	1000	400	530	100	491	550	950	2
800									
ST8830	800	800	300	530	100	691	750	750	2
ST8840	800	800	400	530	100	691	750	750	2
ST81030	800	1000	300	530	100	691	750	950	2
ST81040	800	1000	400	530	100	691	750	950	2

Boxes



Boxes

SINGLE DOOR BOX									
ST CODE	BOX DIMENSIONS			CABLE ENTRY		DOOR SPACE	MOUNTING PLATE DIM.		TYPE OF LOCKS
	B	A	P	E	F	M	L	H	
600									
ST61230	600	1200	300	530	100	451	550	1150	ROD SYSTEM
800									
ST81230	800	1200	300	530	100	651	750	1150	ROD SYSTEM



* Product ATEX: contact the ETA commercial office for STP boxes with tempered glass



CHARACTERISTICS

Enclosure manufactured from 1.5 mm thick sheet steel. Door provided with 4.0 mm transparent plexiglas sheet and manufactured from 1.5 mm thick sheet steel up to H=800 mm; for box H>800, door manufactured from 2.0 mm thick sheet steel. Mounting plate manufactured from 2.5 mm thick sendzimir sheet steel.

PAINT FINISH

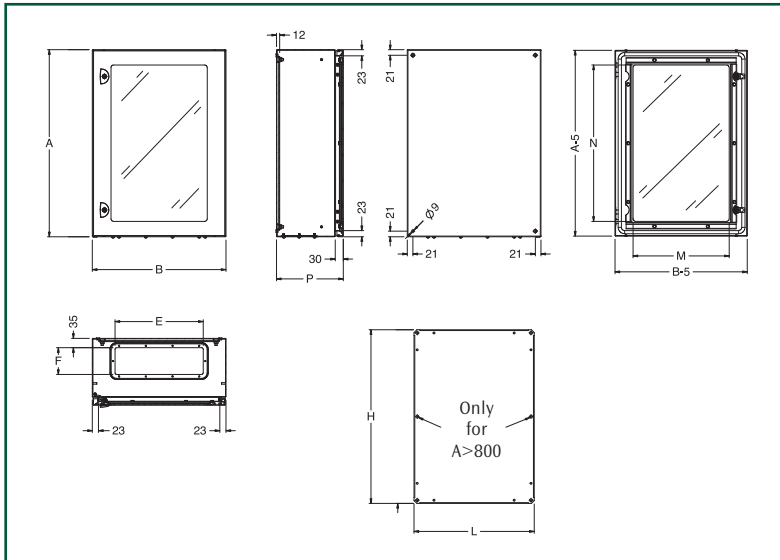
ETA standard epoxy polyester powder coating. Enclosure and door: colour RAL 7035 textured finish.

SUPPLY

- Box supplied with:
- door provided with locking system with \varnothing 3 mm double bar key and 2 zincpassivated rails to be fixed
 - mounting plate
 - cable entry plate with sealing gasket
 - screws for earth connection and mounting accessories.

PROTECTION RATING

- IP66 complying with IEC EN62208; EN60529
- NEMA 12 complying with UL508A; UL50
- protection degree guaranteed by the two-component polyurethane foam seal
- impact resistance IK10 complying with IEC EN62208; EN62202.



Boxes

BOXES WITH PLEXI DOOR

STP CODE	BOX DIMENSIONS			CABLE ENTRY		DOOR SPACE		M. PLATE DIM.		NO. OF LOCKS / TYPE
	B	A	P	E	F	M	N	L	H	
STP4320	400	300	200	330	100	255	180	350	250	1
STP4420	400	400	200	330	100	255	280	350	350	1
STP4520	400	500	200	330	100	255	380	350	450	1
STP4525	400	500	250	330	100	255	380	350	450	1
STP4620	400	600	200	330	100	255	480	350	550	2
STP4625	400	600	250	330	100	255	480	350	550	2
STP5720	500	700	200	330	100	355	580	450	650	2
STP5725	500	700	250	330	100	355	580	450	650	2
STP6420	600	400	200	530	100	455	280	550	350	1
STP6430	600	400	300	530	100	455	280	550	350	1
STP6620	600	600	200	530	100	455	480	550	550	2
STP6630	600	600	300	530	100	455	480	550	550	2
STP6825	600	800	250	530	100	455	680	550	750	2
STP6830	600	800	300	530	100	455	680	550	750	2
STP61025	600	1000	250	530	100	455	880	550	950	2
STP61030	600	1000	300	530	100	455	880	550	950	2
STP61230	600	1200	300	530	100	415	1080	550	1150	ROD SYSTEM
STP81030	800	1000	300	530	100	655	880	750	950	2
STP81230	800	1200	300	530	100	615	1080	750	1150	ROD SYSTEM



CHARACTERISTICS

Enclosure and door manufactured from 1.5 mm thick sheet steel. Mounting plate with folded edges manufactured from 2.5 mm thick sendzimir sheet steel.

PAINT FINISH

ETA standard epoxy polyester powder coating.
Enclosure and door: colour RAL 7035 textured finish.

SUPPLY

Box supplied with:

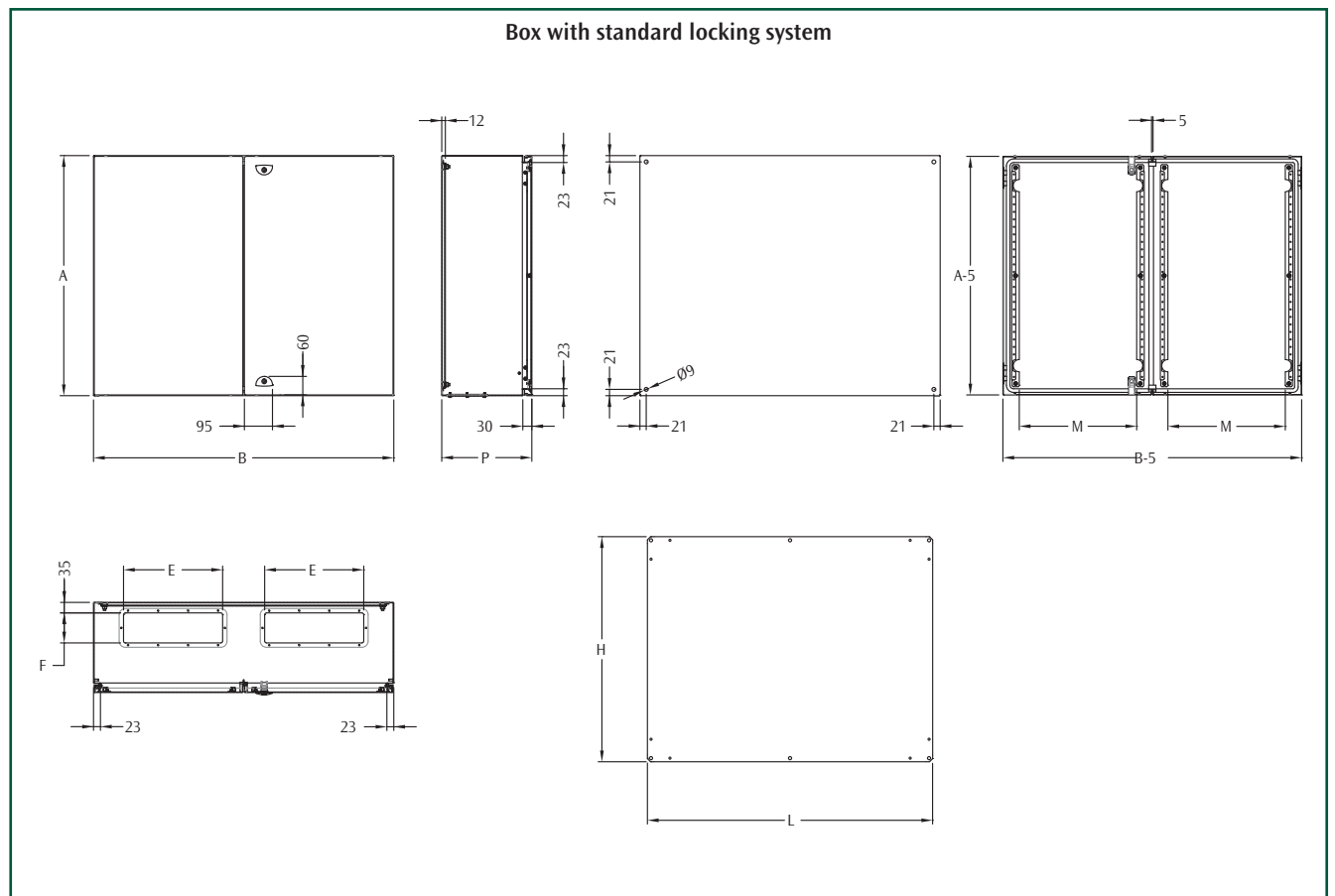
- doors provided with locking system with \varnothing 3 mm double bar key and 4 zincpassivated rails to be fixed
- mounting plate
- 2 cable entry plates with sealing gasket
- screws for earth connection and mounting accessories.

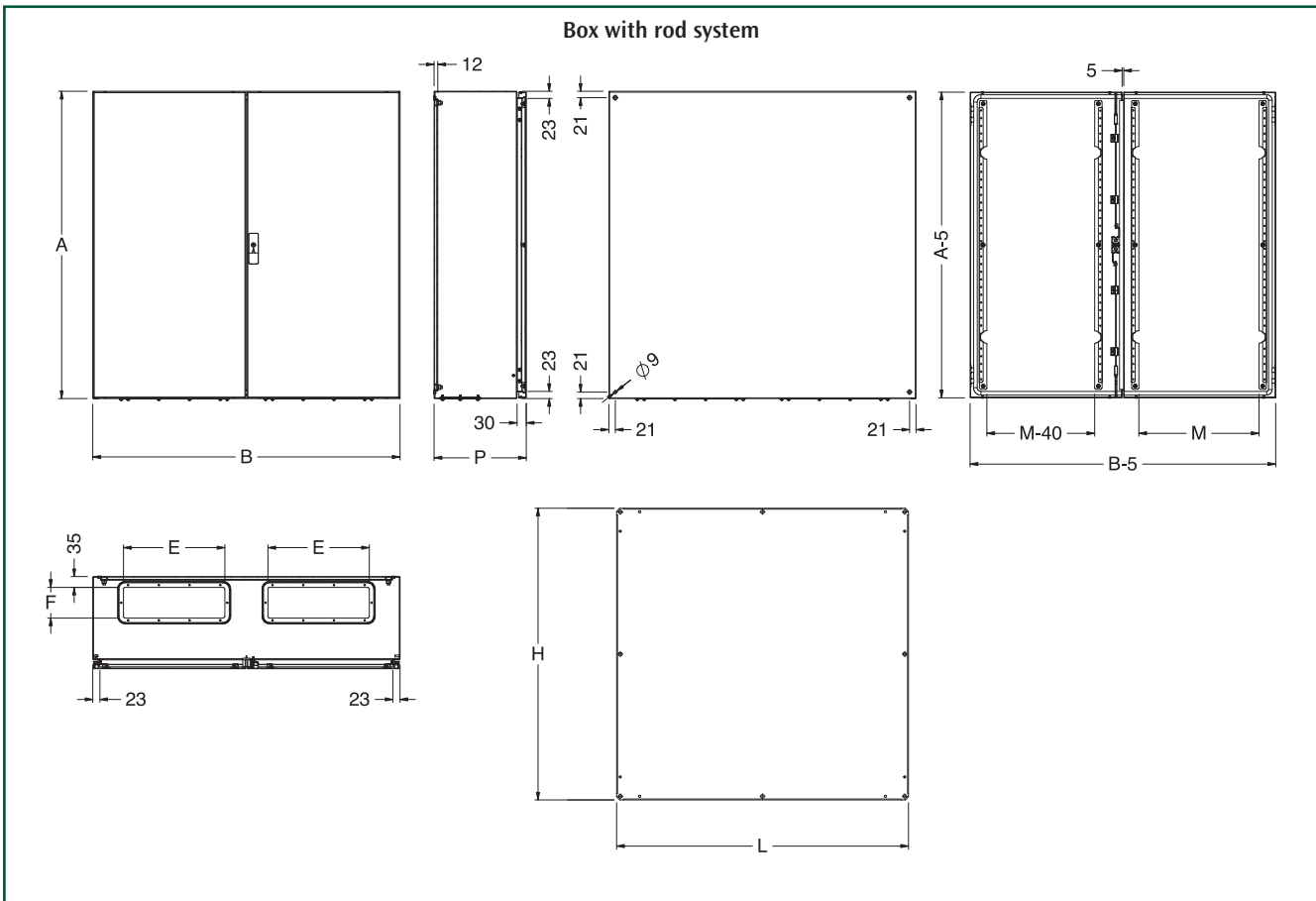
PROTECTION RATING

- IP66 complying with IEC EN62208; EN60529
- NEMA 12 complying with UL508A; UL50
- protection degree guaranteed by the two-component polyurethane foam seal
- impact resistance IK10 complying with IEC EN62208; EN62202.

Note: main accessories to be ordered separately:
• brackets for wall mounting, see page 170.

Boxes





Boxes

DOUBLE DOOR BOXES

ST CODE	BOX DIMENSIONS			CABLE ENTRY		NO. CABLE ENTRY	DOOR SPACE M	MOUNT. PLATE DIM.		NO. OF LOCKS / TYPE
	B	A	P	E	F			L	H	
ST8630	800	600	300	530	100	1	291	750	550	2
ST10820	1000	800	200	330	100	2	391	950	750	2
ST10830	1000	800	300	330	100	2	391	950	750	2
ST101030	1000	1000	300	330	100	2	391	950	950	ROD SYSTEM
ST101230	1000	1200	300	330	100	2	391	950	1150	ROD SYSTEM
ST121230	1200	1200	300	330	100	2	491	1150	1150	ROD SYSTEM



INNER DOOR STP01

CHARACTERISTICS

Frame and door manufactured from 1.5 mm thick sheet steel.

PAINT FINISH

ETA standard epoxy polyester powder coating. Colour RAL 7035 textured finish.

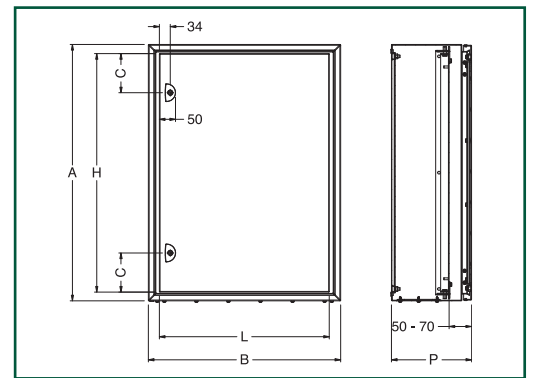
SUPPLY

Includes:

- frame
- door with \varnothing 3 mm double bar key locking system
- mounting accessories.

PROTECTION RATING

- external: as box (IP66)
- internal: IP2X.



Boxes

INNER DOOR

STP01 CODE	BOX CODE		BOX DIMENSIONS			DOOR DIMENSIONS			NUMBER OF LOCKS
	ST	STP	B	A	P	L	H	C	
STP0145	ST4520	STP4520	400	500	200	330	444	222	1
STP0145	ST4525	STP4525	400	500	250	330	444	222	1
STP0146	ST4620	STP4620	400	600	200	330	544	272	1
STP0146	ST4625	STP4625	400	600	250	330	544	272	1
STP0157	ST5720	STP5720	500	700	200	430	644	322	1
STP0157	ST5725	STP5725	500	700	250	430	644	322	1
STP0164	ST6420	STP6420	600	400	200	530	344	172	1
STP0164	ST6430	STP6430	600	400	300	530	344	172	1
STP0168	ST6825	STP6825	600	800	250	530	744	122	2
STP0168	ST6830	STP6830	600	800	300	530	744	122	2
STP01610	ST61025	STP61025	600	1000	250	530	944	122	2
STP01610	ST61030	STP61030	600	1000	300	530	944	122	2
STP01612	ST61230	STP61230	600	1200	300	530	1144	122	2
STP01810	ST81030	STP81030	800	1000	300	730	944	122	2
STP01812	ST81230	STP81230	800	1200	300	730	1144	122	2

MODULAR KIT MDST

CHARACTERISTICS

Frame and front panels manufactured from 1.5 mm thick sheet steel.

PAINT FINISH

ETA standard epoxy polyester powder coating.
Colour: RAL 7035 textured finish.

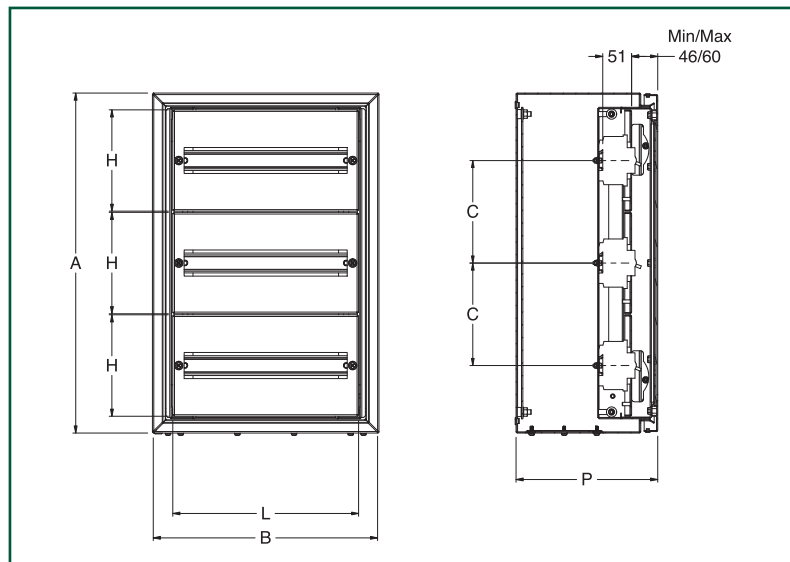
SUPPLY

Includes:

- frame
- front panel with modular slot complete with mounting accessories and captive screws
- zincpassivated DIN rail (for each window)
- mounting accessories.

PROTECTION RATING

External: as box (IP66).



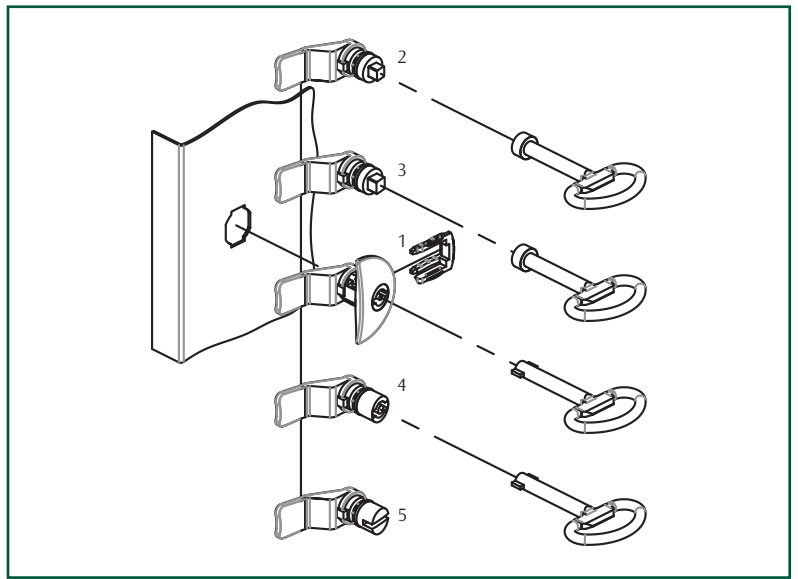
Boxes

MODULAR KIT

MDST CODE	BOX CODE		BOX DIMENSIONS			PANEL DIMENSIONS			MODULES 18 MM	NO. OF PANELS
	ST	STP	B	A	P	L	H	C		
MDST4300	ST4320	STP4320	400	300	200	328	241	-	1x16	1
MDST4400	ST4420	STP4420	400	400	200	328	341	150	2x16	1
MDST4500	ST4520	STP4520	400	500	200	328	441	150	3x16	1
MDST4500	ST4525	STP4525	400	500	250	328	441	150	3x16	1
MDST4600	ST4620	STP4620	400	600	200	328	179	181	3x16	3*
MDST4600	ST4625	STP4625	400	600	250	328	179	181	3x16	3*
MDST6600	ST6620	STP6620	600	600	200	528	179	181	3x26	3**
MDST6600	ST6630	STP6630	600	600	300	528	179	181	3x26	3**
MDST6800	ST6825	STP6825	600	800	250	528	179	181	4x26	4**
MDST6800	ST6830	STP6830	600	800	300	528	179	181	4x26	4**
MDST61000	ST61025	STP61025	600	1000	250	528	179	181	5x26	5**
MDST61000	ST61030	STP61030	600	1000	300	528	179	181	5x26	5**
MDST61200	ST61230	STP61230	600	1200	300	528	179	181	6x26	6**

* Available on request the blank frontal panel MDST4200

** Available on request the blank frontal panel MDST6200



FAST ASSEMBLY LOCKING SYSTEMS

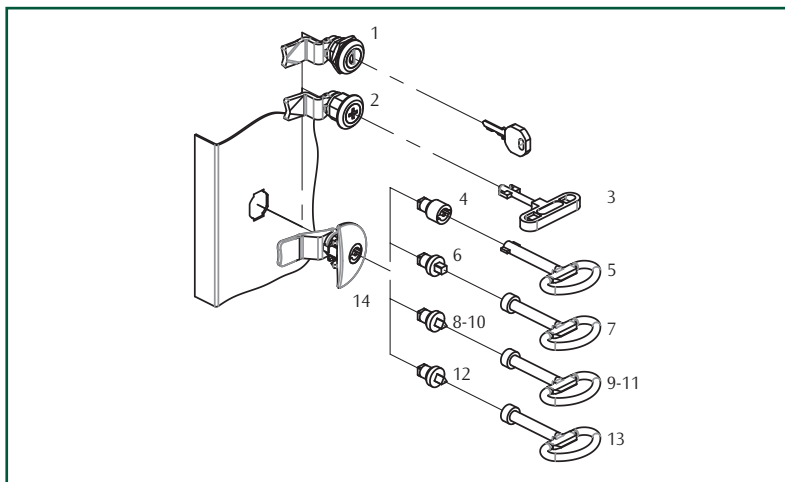
KEY CODE	INSERT CODE	REF.	DESCRIPTION
WE160	WE250	1	FAST ASSEMBLY LOCKING SYSTEM WITH ETA INSERT Ø 3 MM
WE200	WE300	2	FAST ASSEMBLY SQUARE INSERT ∇ 7 MM
WE165	WE305	3	FAST ASSEMBLY SQUARE INSERT ∇ 8 MM
WE170	WE310	4	FAST ASSEMBLY DOUBLE BAR INSERT Ø 5 MM
–	WE315	5	FAST ASSEMBLY SCREW DRIVER INSERT

Boxes

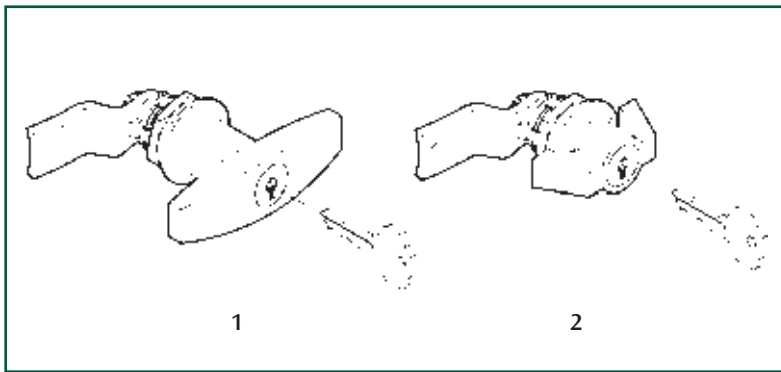


ALTERNATIVE LOCKING SYSTEMS

WE CODE	REF.	DESCRIPTION
*WE235	1	VIRO INSERT
*WE240	2	FIAT INSERT
WE210	3	FIAT KEY
WE255	4	ETA INSERT Ø 3 MM
WE160	5	ETA KEY Ø 3 MM
WE260	6	INSERT ∇ 6 MM
WE263	7	KEY ∇ 6 MM
WE265	8	INSERT ∇ 7 MM
WE268	9	KEY ∇ 7 MM
WE270	10	INSERT ∇ 6,5 MM
WE273	11	KEY ∇ 6,5 MM
WE275	12	INSERT ∇ 8 MM
WE278	13	KEY ∇ 8 MM
WE250V	14	LOCKING SYSTEM WITHOUT INSERT



* With cam and locking cover



TT CANOPY

CHARACTERISTICS

Manufactured from 1.5 mm thick sheet steel.

SUPPLY

Includes 1 piece with mounting accessories.

PAINT FINISH

ETA standard epoxy polyester powder coating.
Colour: RAL 7035 textured finish.

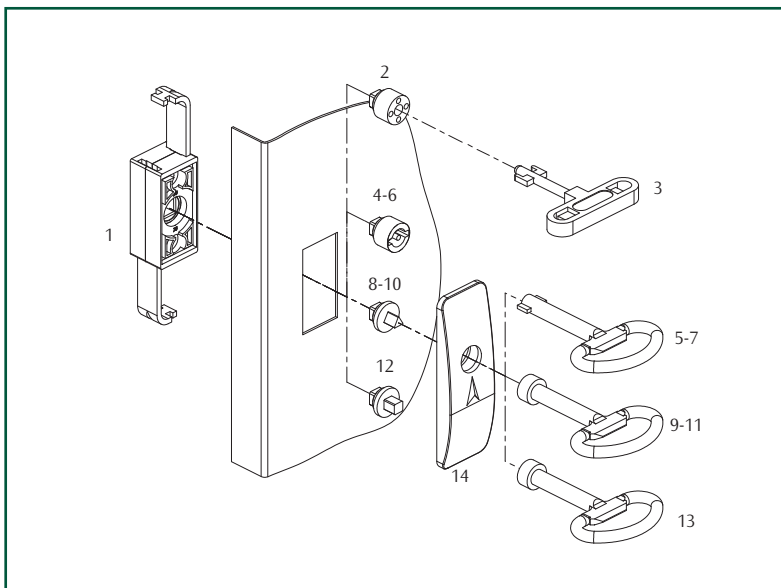
Note: for outdoor applications, it is recommended to have a special polyester painting that is more suitable for external applications.



LOCKING SYSTEMS

WE CODE	REF.	DESCRIPTION
WE285	1	T HANDLE WITH KEYLOCK
WE288	2	WING HANDLE WITH KEYLOCK

Note: padlocking handle available on request.



LOCKING SYSTEMS FOR DOUBLE DOOR BOXES WITH ROD MECHANISM

WE CODE	REF.	DESCRIPTION
WE010	1	ROD DRIVE
WE080	2	FIAT INSERT
WE210	3	FIAT KEY
WE030	4	ETA INSERT Ø 3 MM
WE160	5	ETA KEY Ø 3 MM
WE040	6	ETA INSERT Ø 5 MM
WE170	7	ETA KEY Ø 5 MM
WE050	8	INSERT ∇ 7 MM
WE180	9	KEY ∇ 7 MM
WE060	10	INSERT ∇ 8 MM
WE190	11	KEY ∇ 8 MM
WE070	12	INSERT ∇ 7 MM
WE200	13	KEY ∇ 7 MM
WE020	14	ETA COVER

CANOPY TT

TT CODE	WIDTH	DEPTH
TT104	400	200
TT204	400	250
TT105	500	200
TT205	500	250
TT106	600	250
TT206	600	300
TT208	800	300

Boxes

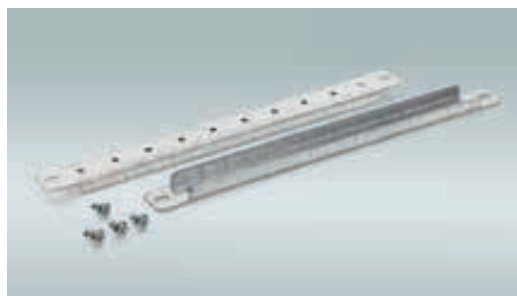
HORIZONTAL DOOR RAIL WC

CHARACTERISTICS

Manufactured from 1.5 mm thick sendzimir sheet steel with 2.5 mm pitch drilling and \varnothing 4,2 holes to be fixed on door profiles and used to fix cable or trunking.

SUPPLY

Includes 1 piece with mounting accessories.



RAIL	
WC CODE	DOOR WIDTH
WC001	300
WC002	400
WC003	500
WC004	600
WC005	800

Note: codes valid for one or two standard locking points.



RAIL	
WC CODE	DOOR WIDTH
WC001C	300
WC002C	400
WC003C	500
WC004C	600
WC005C	800

Note: codes valid for boxes with rod system.

MOUNTING PLATE REGULATOR WA

It allows the mounting plate to be positioned at different depths.

CHARACTERISTICS

Manufactured from 2.0 mm thick zincpassivated sheet steel.

SUPPLY

Includes 2 pieces.

Note: order 2 packages for boxes $H \leq 800$ mm
order 3 packages for boxes $H > 800$ mm single door.



MOUNTING PLATE REGULATOR

WA CODE	BOX DEPTH
WA980	200
WA981	250
WA982	300

DOOR STOP WA060

To be used to hold the door open at 90° avoiding accidental closing. Machining required.

CHARACTERISTICS

Manufactured from 2.0 mm and 3.0 mm thick zincpassivated sheet steel.

SUPPLY

Includes: single piece with mounting accessories and gasket for IP66.



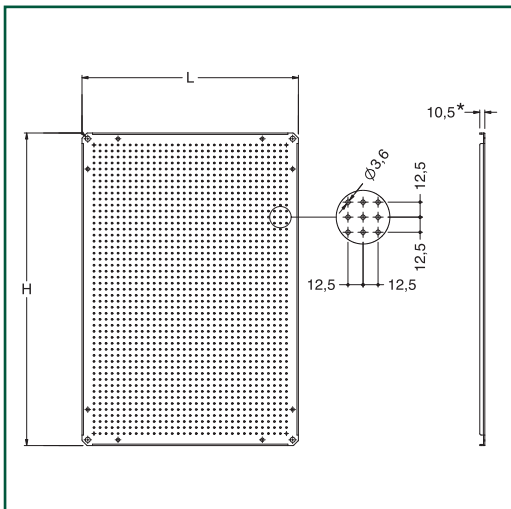
MICROPERFORATED MOUNTING PLATES WPAZ - F

The microperforated mounting plate WPAZ - F is assembled with the same procedure as the standard mounting plates.

CHARACTERISTICS

Manufactured from 2.5 mm thick sendzimir sheet steel.

Note: available upon request.



* Plate with raised edges starting from enclosure size 500x700

MICROPERFORATED MOUNT. PLATES

WPAZ CODE	BOX DIM.		M. PLATE DIM.	
	B	A	L	H
WPAZ-ST23F	200	300	150	250
WPAZ-ST33F	300	300	250	250
WPAZ-ST35F	300	500	250	450
WPAZ-ST43F	400	300	350	250
WPAZ-ST44F	400	400	350	350
WPAZ-ST45F	400	500	350	450
WPAZ-ST46F	400	600	350	550
WPAZ-ST55F	500	500	450	450
WPAZ-ST57F	500	700	450	650
WPAZ-ST64F	600	400	550	350
WPAZ-ST66F	600	600	550	550
WPAZ-ST68F	600	800	550	750
WPAZ-ST610F	600	1000	550	950
WPAZ-ST612F	600	1200	550	1150
WPAZ-ST88F	800	800	750	750
WPAZ-ST810F	800	1000	750	950
WPAZ-ST812F	800	1200	750	1150
WPAZ-ST1010F	1000	1000	950	950
WPAZ-ST1012F	1000	1200	950	1150
WPAZ-ST1212F	1200	1200	1150	1150

POLE MOUNTING KIT FPST-001

To fix the box to a pole with round or rectangular section.

CHARACTERISTICS

Rail manufactured from galvanized sheet steel and clamp collar.

SUPPLY

Includes 2 rails and 2 clamps with mounting accessories.



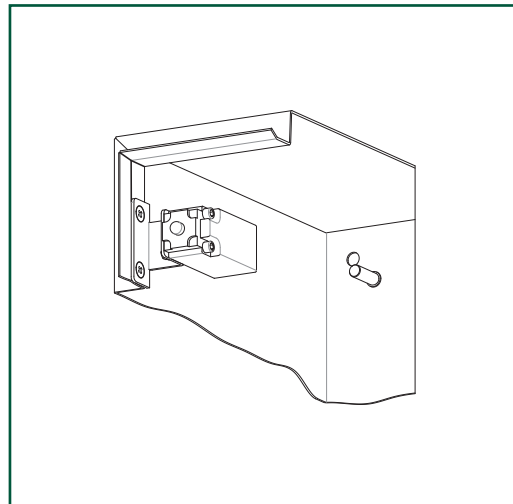
FIXING BRACKETS FOR MICRO-SWITCH W100ST

CHARACTERISTICS

Manufactured from sendzimir sheet steel for fastening the micro-switch W100 inside the ST boxes.

SUPPLY

Includes 1 piece with mounting accessories.



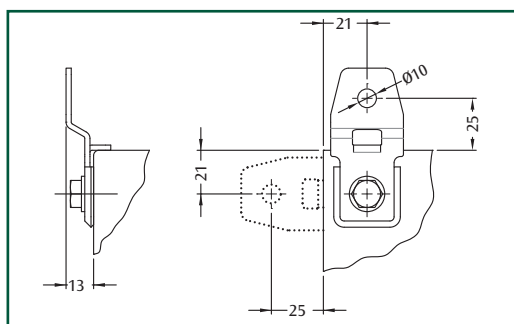
WALL MOUNTING BRACKETS SDWC-010

CHARACTERISTICS

Manufactured from 2.5 mm thick zincpassivated sheet steel.

SUPPLY

Includes 4 pieces.



CABLE ENTRY GLAND PLATE WC - B

CHARACTERISTICS

Manufactured from 1.5 mm thick sheet steel.

PAINT FINISH

ETA standard epoxy polyester powder coating.
Colour: RAL 7035 textured finish

SUPPLY

Includes 1 piece with sealing gasket and mounting accessories.



CABLE ENTRY GLAND PLATE

WC CODE	PLATE DIMENSIONS
WC016B	158 x 78
WC018B	258 x 78
WC019B	258 x 128
WC020B	358 x 128
WC022B	558 x 128

LOUVERED CABLE ENTRY PLATES WC - A

CHARACTERISTICS

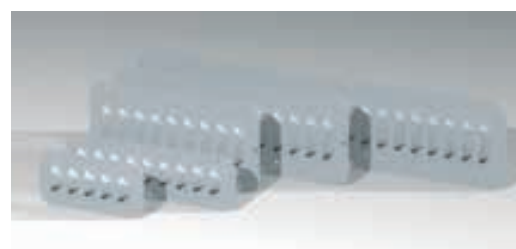
Manufactured from 1.5 mm thick sheet steel.

PAINT FINISH

ETA standard epoxy polyester powder coating.
Colour: RAL 7035 textured finish.

SUPPLY

Includes 1 piece complete with seals and mounting accessories.



LOUVERED CABLE ENTRY PLATES

WC CODE	PLATE DIMENSIONS
WC016A	158 x 78
WC018A	258 x 78
WC019A	258 x 128
WC020A	358 x 128
WC022A	558 x 128

Note: available on request

PUNCHED CABLE ENTRY PLATES WC - FL

CHARACTERISTICS

Manufactured from 1.5 mm thick sheet steel.

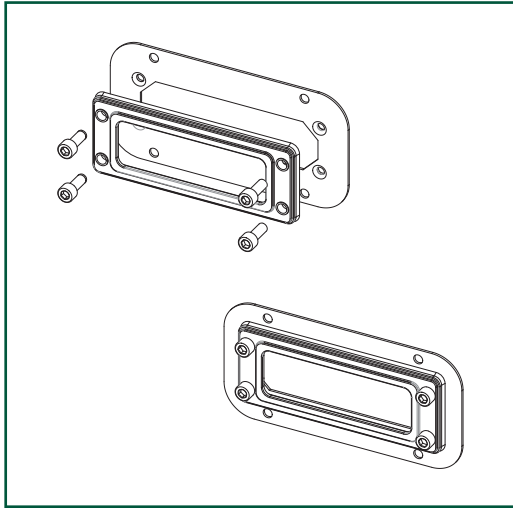
PAINT FINISH

ETA standard epoxy polyester powder coating.
Colour: RAL 7035 textured finish.

SUPPLY

Includes 1 piece with gasket, screws for FL frame and mounting accessories.

Note: it is available the package with 5 pieces, complete with gaskets, screws for the FL frame and mounting accessories; in this case add suffix "5" to the code (i.e.: WC016FL5).



PUNCHED CABLE ENTRY PLATES

WC CODE	PLATE DIM.	NO. OF HOLES	HOLE DIM.
WC016FL	158 x 78	1 per FL13	118 x 30
WC018FL	258 x 78	1 per FL13	118 x 30
WC019FL	258 x 128	1 per FL21	196 x 62
WC020FL	358 x 128	1 per FL21	196 x 62
WC022FL	558 x 128	2 per FL21	196 x 62



FL13 AND FL21 FRAMES

CHARACTERISTICS

In reinforced fiberglass, polypropylene and thermoplastic halogen-free elastomers. UL approved materials.

Colour: RAL 7035.

PROTECTION RATING

IP65.

TEMPERATURE RESISTANCE

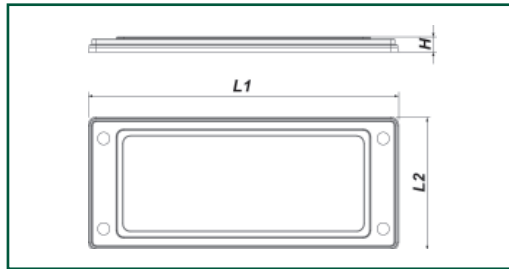
-20°C +125°C.

TEST

EN60529
EN60670-1, EN50262.

SUPPLY

Includes 10 pieces.



FRAMES

CODE	DESCRIPTION	L1	L2	H
WC2665404	FL13 FRAME	134	52	6,5
WC2665400	FL21 FRAME	214	90	9

Boxes

INSERTS FOR FL13 AND FL21 FRAMES

CHARACTERISTICS

In reinforced fiberglass, polypropylene and thermoplastic halogen-free elastomers. UL approved materials.

Colour: RAL 7035.

PROTECTION RATING

IP65.

TEMPERATURE RESISTANCE

-20°C +125°C.

TEST

EN60529,
EN60670, EN50262.

SUPPLY

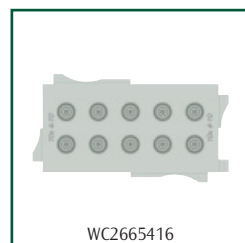
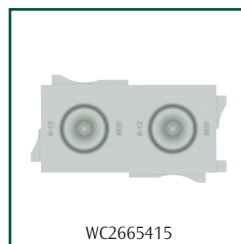
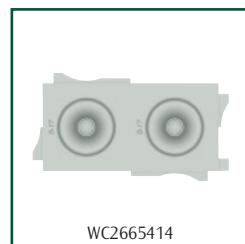
Includes 10 pieces.

CABLE INSTALLATION

Pushing the cable through the membrane until the membrane allows its passage or remove a part of the membrane before installing the cable with a tinier cable or with a screwdriver.

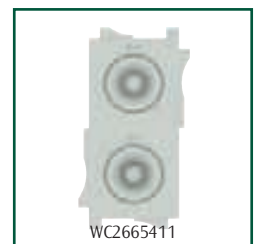
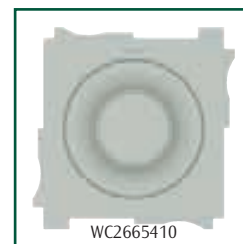
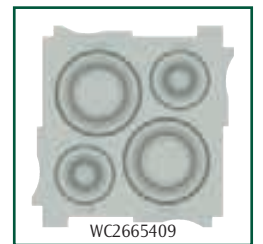
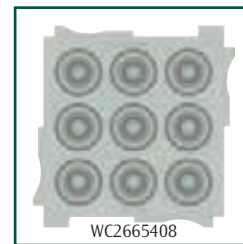
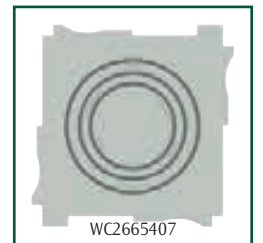
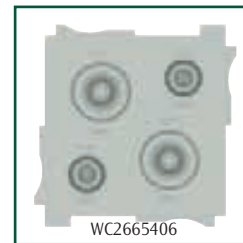
INSERTS FOR FL13 FRAME

CODE	DESCRIPTION	FOR CABLE Ø MM
WC2665414	34 x 68, 2 x 8-17	8-17
WC2665415	34 x 68, 2 x M20	6-13
WC2665416	34 x 68, 10 x 4-10 MM	4-10
WC2665417	34 x 34, 1 x M20	6-13



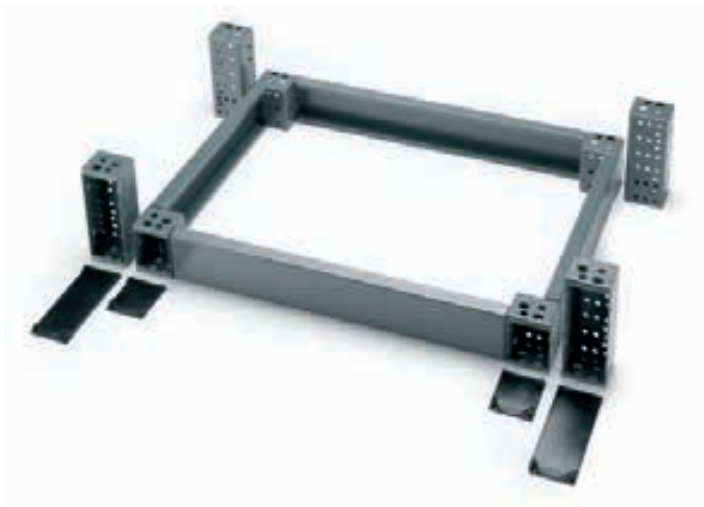
INSERTS FOR FL21 FRAME

CODE	DESCRIPTION	FOR CABLE Ø MM
WC2665406	68 x 68, 2 x M25 + 2 x M16	8-17, 5-10
WC2665407	68 x 68, KNOCKOUT M50, M40, M32	-
WC2665408	68 x 68, 9 x 7-14 MM	7-14
WC2665409	68 x 68, 2 x 20-30 MM + 2 x 10-20 MM	20-30, 10-20
WC2665410	68 x 68, 30-50 MM	30-50
WC2665411	68 x 34, 2 x 8-17 MM	8-17
WC2665412	68 x 34, 2 x M20	6-13
WC2665413	68 x 34, 10 x 4-10 MM	4-10



Boxes

∞



MODULAR PLINTH ATZE

CHARACTERISTICS

Corner pieces manufactured from 2.5 mm thick press bent sheet steel, with PVC front covers caps. Front and side crosspieces manufactured from 2.0 mm thick press bent sheet steel.

PAINT FINISH

ETA standard epoxy polyester powder coating.
Colour: RAL 7025 textured finish.

SUPPLY

The modular plinth is made up of:

- corner pieces: supply includes 4 pieces complete with front covers and mounting hardware
- front crosspieces: supply includes 2 pieces
- side crosspieces: supply includes 2 pieces.

UNIVERSAL CORNER PIECES

ATZE CODE	DESCRIPTION
ATZE-A100	CORNER PIECES FOR PLINTH H=100
ATZE-A200	CORNER PIECES FOR PLINTH H=200

Note: supply includes 4 pieces with mounting accessories.

FRONT CROSSPIECES

ATZE CODE	DESCRIPTION	CROSS. LENGTH MM
ATZE-T0600	PLINTH CROSSPIECES W=600	444
ATZE-T0800	PLINTH CROSSPIECES W=800	644
ATZE-T1000	PLINTH CROSSPIECES W=1000	844
ATZE-T1200	PLINTH CROSSPIECES W=1200	1044

Note: supply includes 2 pieces.

Note: to order the front and side crosspieces H=200, add the suffix "D" to the code. (i.e.: ATZE-T0600D).

SIDE CROSSPIECES FOR SP / STP

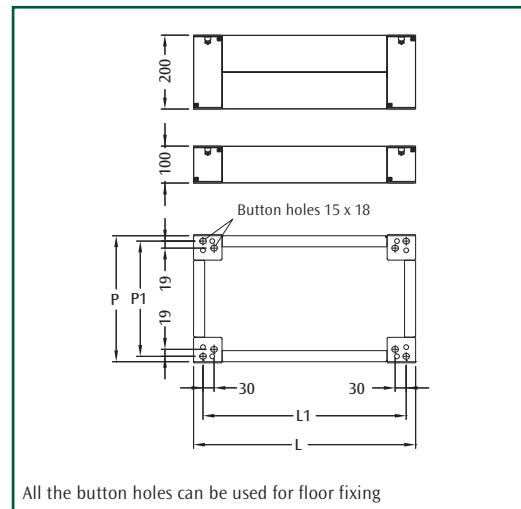
ATZE CODE	DESCRIPTION	CROSS. LENGTH MM
ATZE-T0300S	PLINTH CROSSPIECES D=300	136
ATZE-T0400A	PLINTH CROSSPIECES D=400	236

Note: supply includes 2 pieces.

Note: to order the front and side crosspieces H=200, add the suffix "D" to the code. (i.e.: ATZE-T0300SD).

DIMENSIONAL SPECIFICATIONS

BOX DIMENSIONS		PLINTH DIM.		CENT. DISTANCES	
L	P	L	P	L1	P1
600	300	600	270	549	241
600	400	600	370	549	341
800	300	800	270	749	241
800	400	800	370	749	341
1000	300	1000	270	949	241
1200	300	1200	270	1149	241



All the button holes can be used for floor fixing

Note: to assemble the plinth on ST Boxes, the base requires holes punching.

Boxes

**CHARACTERISTICS**

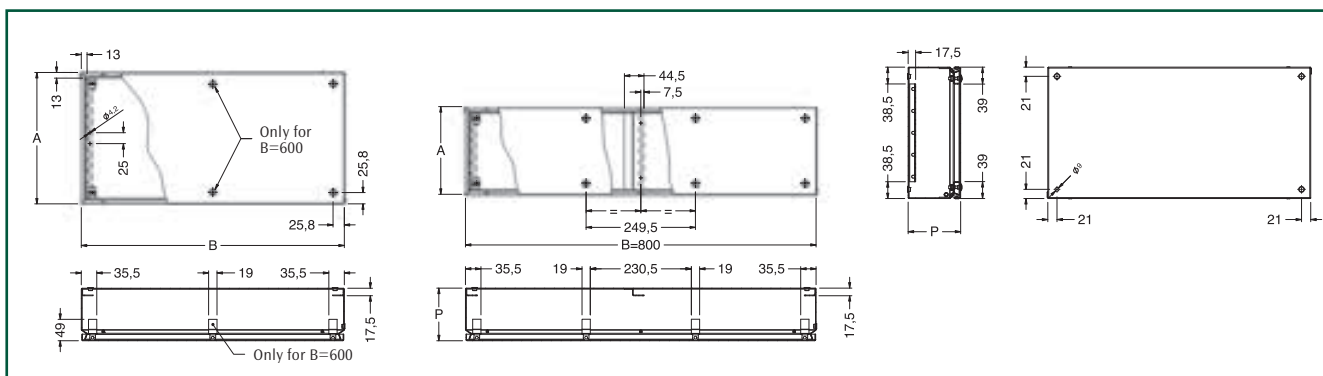
Box and lid manufactured from 1.2 mm thick sheet steel. Box provided with holes for fixing optional hinges and lid fixed with captive screws.

PAINT FINISH

ETA standard epoxy polyester powder coating.
Colour: RAL 7035 textured finish.

PROTECTION RATING

- IP66 complying with IEC EN62208; EN60529
- NEMA 4 complying with UL508A; UL50
- protection degree guaranteed by the two-component polyurethane foam seal
- impact resistance IK10 complying with IEC EN62208; EN62202.



Boxes

TERMINAL BOXES

SDV CODE	DIMENSIONS		
	B	A	P
SDV1108	150	150	80
SDV2208	200	200	80
SDV3208	300	200	80
SDV4208	400	200	80
SDV5208	500	200	80
SDV6208	600	200	80
SDV8208	800	200	80
SDV1112	150	150	120
SDV2212	200	200	120
SDV3112	300	150	120
SDV3212	300	200	120
SDV3312	300	300	120
SDV4212	400	200	120
SDV4312	400	300	120
SDV4412	400	400	120
SDV5212	500	200	120
SDV5312	500	300	120
SDV6212	600	200	120
SDV6312	600	300	120
SDV6412	600	400	120
SDV8212	800	200	120
SDV8412	800	400	120

Note: to be ordered separately: mounting plate and/or DIN rails (refer to page 179).



CHARACTERISTICS

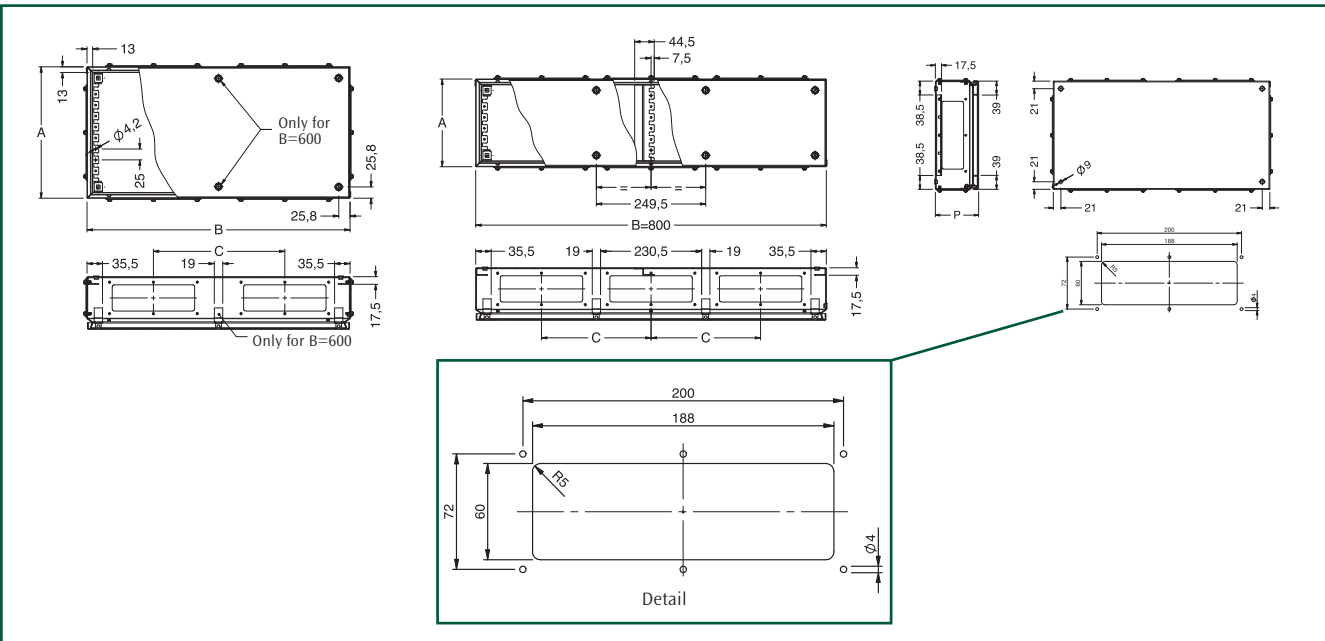
Box and lid manufactured from 1.2 mm thick sheet steel. Box provided with holes for fixing hinges and gland plates complete with gasket; lid fixed with captive screws.

PAINT FINISH

ETA standard epoxy polyester powder coating. Colour: RAL 7035 textured finish.

PROTECTION RATING

- IP66 complying with IEC EN62208; EN60529
- NEMA 4 complying with UL508A; UL50
- protection degree guaranteed by the two-component polyurethane foam seal
- impact resistance IK10 complying with IEC EN62208; EN62202.



Boxes

TERMINAL BOXES WITH GLAND PLATES

SDF CODE	DIMENSIONS				TOTAL NUMBER GLAND PLATES	NUMBER OF GLAND PLATES	
	B	A	C	P		SIDE "B"	SIDE "A"
SDF3212	300	200	-	120	2	2	-
SDF3312	300	300	-	120	4	2	2
SDF4212	400	200	-	120	2	2	-
SDF4312	400	300	-	120	4	2	2
SDF4412	400	400	-	120	4	2	2
SDF5212	500	200	130	120	4	4	-
SDF5312	500	300	130	120	6	4	2
SDF6212	600	200	150	120	4	4	-
SDF6312	600	300	150	120	6	4	2
SDF6412	600	400	150	120	6	4	2
SDF8212	800	200	150	120	6	6	-
SDF8412	800	400	150	120	8	6	2

Note: to be ordered separately: mounting plate and/or DIN rails (refer to page 179).



CHARACTERISTICS

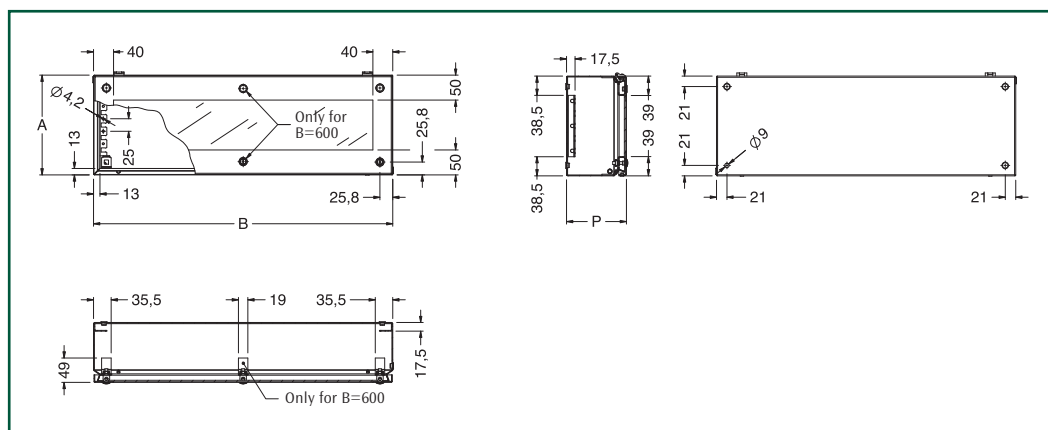
Box and lid manufactured from 1.2 mm thick sheet steel. Hinged lid with captive screws and provided with 3.0 mm thick plexiglas for internal inspection.

PAINT FINISH

ETA standard epoxy polyester powder coating.
Colour: RAL 7035 textured finish.

PROTECTION RATING

- IP55 complying with IEC EN62208; EN60529
- impact resistance IK10 complying with IEC EN62208; EN62202.



Boxes

TERMINAL BOXES WITH TRANSPARENT LID

SDVX CODE	DIMENSIONS		
	B	A	P
SDVX4212	400	200	120
SDVX6212	600	200	120

Note: to be ordered separately: mounting plate and/or DIN rails (refer to page 179).

**CHARACTERISTICS**

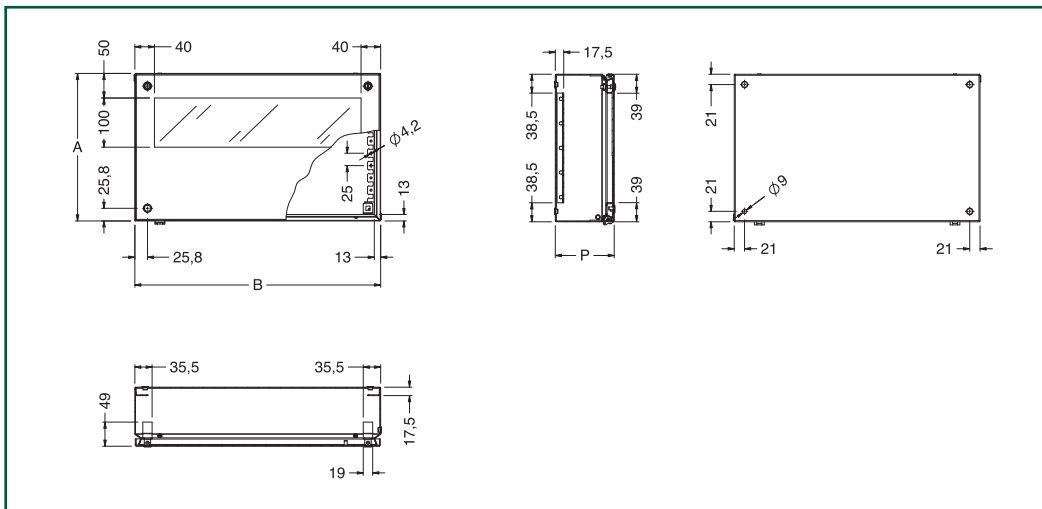
Box and lid manufactured from 1.2 mm thick sheet steel. Hinged lid with captive screws and provided with 3.0 mm thick plexiglas for internal inspection.

PAINT FINISH

ETA standard epoxy polyester powder coating.
Colour: RAL 7035 textured finish.

PROTECTION RATING

- IP55 complying with IEC EN62208; EN60529
- impact resistance IK10 complying with IEC EN62208; EN62202.

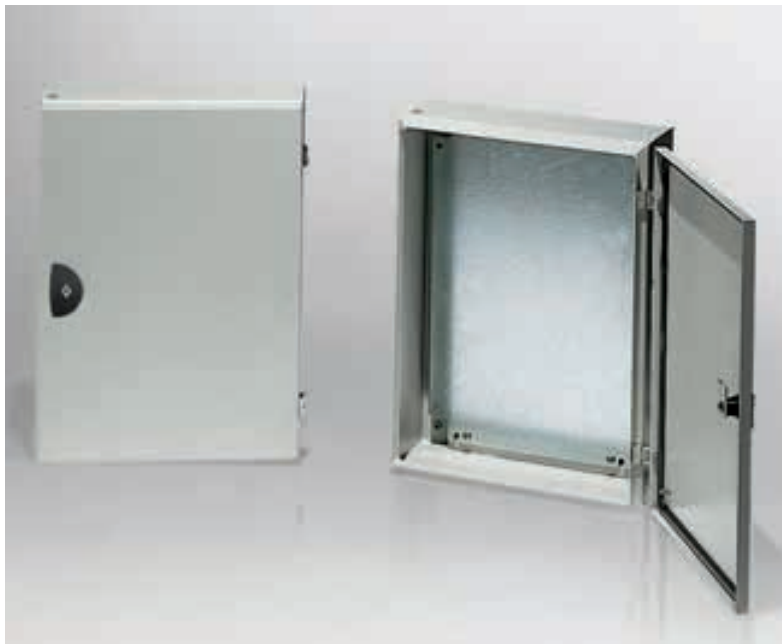


Boxes

TERMINAL BOX FOR BUS SYSTEMS

SDVX CODE	DIMENSIONS		
	B	A	P
SDVX5312B	500	300	120

Note: to be ordered separately: mounting plate and/or DIN rails (refer to page 179).



CHARACTERISTICS

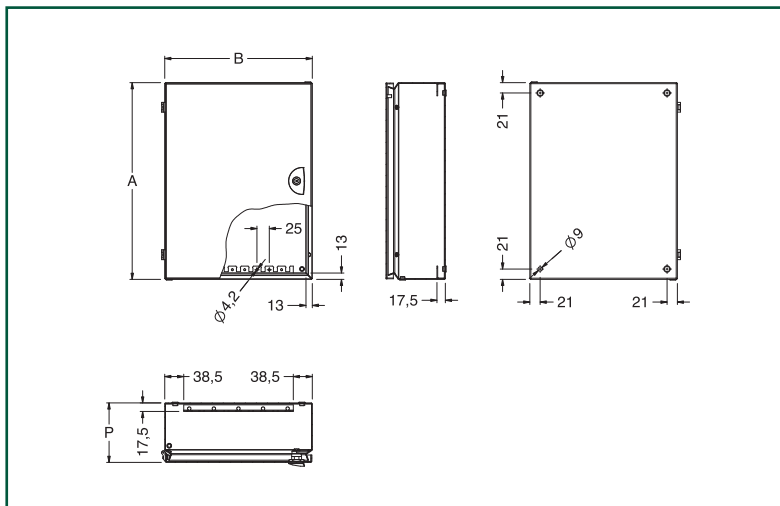
Box manufactured from 1.2 mm thick sheet steel.
Door manufactured from 1.5 mm thick sheet steel with \varnothing 3mm double bar key locking system.

PAINT FINISH

ETA standard epoxy polyester powder coating.
Colour: RAL 7035 textured finish.

PROTECTION RATING

- IP55 complying with IEC EN62208; EN60529
- impact resistance IK10 complying with IEC EN62208; EN62202.



TERMINAL BOXES WITH DOOR

SDP CODE	DIMENSIONS		
	B	A	P
SDP2208	200	200	80
SDP2308	200	300	80
SDP2408	200	400	80
SDP2212	200	200	120
SDP2312	200	300	120
SDP2412	200	400	120
SDP2512	200	500	120
SDP3312	300	300	120
SDP3412	300	400	120

Note: to be ordered separately: mounting plate and/or DIN rails (refer to page 179).

Boxes

MOUNTING PLATE SDPA

CHARACTERISTICS

Manufactured from 2.0 mm thick sendzimir sheet steel.

SUPPLY

Includes 1 piece.



MOUNTING PLATE				
SDPA CODE	BOX DIM.		MOUN. PLATE DIM.	
	WIDTH	HEIGHT	W	H
SDPA-11	150	150	126	120
SDPA-22	200	200	176	170
SDPA-31	300	150	276	120
SDPA-32	300	200	276	170
SDPA-33	300	300	276	270
SDPA-42	400	200	376	170
SDPA-43	400	300	376	270
SDPA-44	400	400	376	370
SDPA-52	500	200	476	170
SDPA-53	500	300	476	270
SDPA-62	600	200	576	170
SDPA-63	600	300	576	270
SDPA-64	600	400	576	370
SDPA-82	800	200	776	170
SDPA-84	800	400	776	370

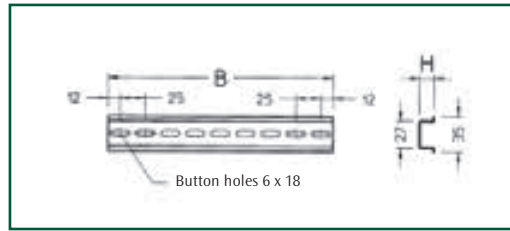
INNER RAILS SDWA

CHARACTERISTICS

Manufactured from sendzimir sheet steel bars.

SUPPLY

Includes 10 pieces.



INNER RAILS			
SDWA CODE	BOX WIDTH	B	H
SDWA-013	150	125	7,5
SDWA-015	200	175	7,5
SDWA-020	300	275	7,5
SDWA-025	400	375	7,5
SDWA-030	500	475	7,5
SDWA-035	600	575	15
SDWA-040	800	775	15

Boxes

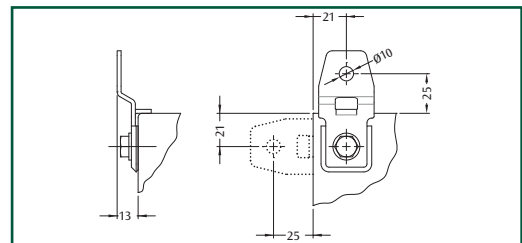
WALL MOUNTING BRACKETS SDWC-010

CHARACTERISTICS

Manufactured from 2.5 mm thick zincpassivated sheet steel.

SUPPLY

Includes 4 pieces.



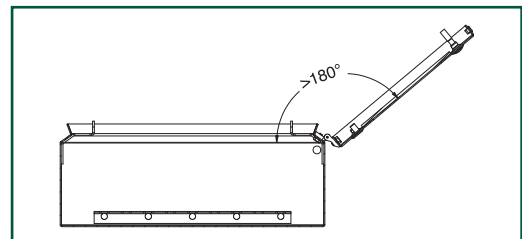
HINGES SDWA-005

CHARACTERISTICS

Manufactured from white zincpassivated alloy.

SUPPLY

Includes 6 pieces with mounting accessories.



CONTROL DESKS

CONTROL DESKS

E NUX DESK CABINETS

MODULAR CONTROL DESKS

MONOBLOC CONTROL DESKS





Control desks

CONTROL DESK SOLUTIONS

FEATURES

Three types of solutions to meet various application needs:

- enclosures with control desk based on E NUX system: with upper and lower door, and an halfway zone for a panel or a front shelf mounting, available assembled or in flat-pack version. This solution proposes the concept of vertical modularity that is typical of E NUX PC solutions: in addition to the E NUX structure, there's the front frame with an height that is contained in 1400 mm to ensure a good visual control of the area that has to be supervised. Available in four widths and in two depths, the range is compatible with the standard accessories of the E NUX system
- modular desks with 400 and 500 mm depth, formed by a series of elements: an AE base, two types of shelf (ME or LE) and an upper part (PE). The flexible use of the components solves the various needs based on usage and final installation
- monobloc desks to be used in easier conditions and for simpler applications: available in two versions – SBA with rear door and an adjustable in depth mounting plate, ZBA with solid rear panel and a mounting plate that is screwed on the inside rear cover – to offer a technical solution, which is always adapted to the needs of the customer.



Control desks

CHARACTERISTICS

E NUX structure and adjustable cable entry bottom manufactured from high-strength low-alloy sheet steel with rear panel with folded sides and removable roof manufactured from sheet steel. Front frame EUAL and roof with extension manufactured from sheet steel. Upper door manufactured from sheet steel with sendimir profiles with mechanical stop and $\varnothing 3$ mm double bar locking system. Lower door manufactured from sheet steel with reinforcing profiles, rod mechanism and $\varnothing 3$ mm double bar locking system.

PAINT FINISH

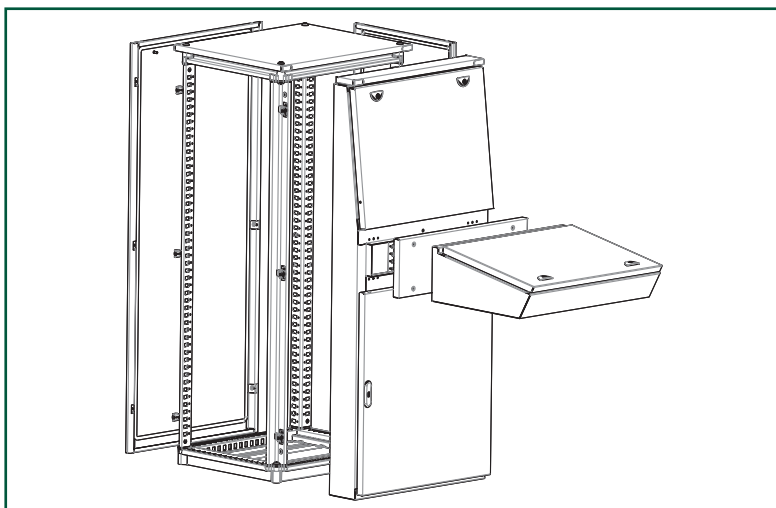
- ETA standard epoxy polyester powder coating
- structure: colour RAL 7035 smooth finish
 - EUAL front, rear door or panel: colour RAL 7035 textured finish
 - roof: colour RAL 5020 textured finish.

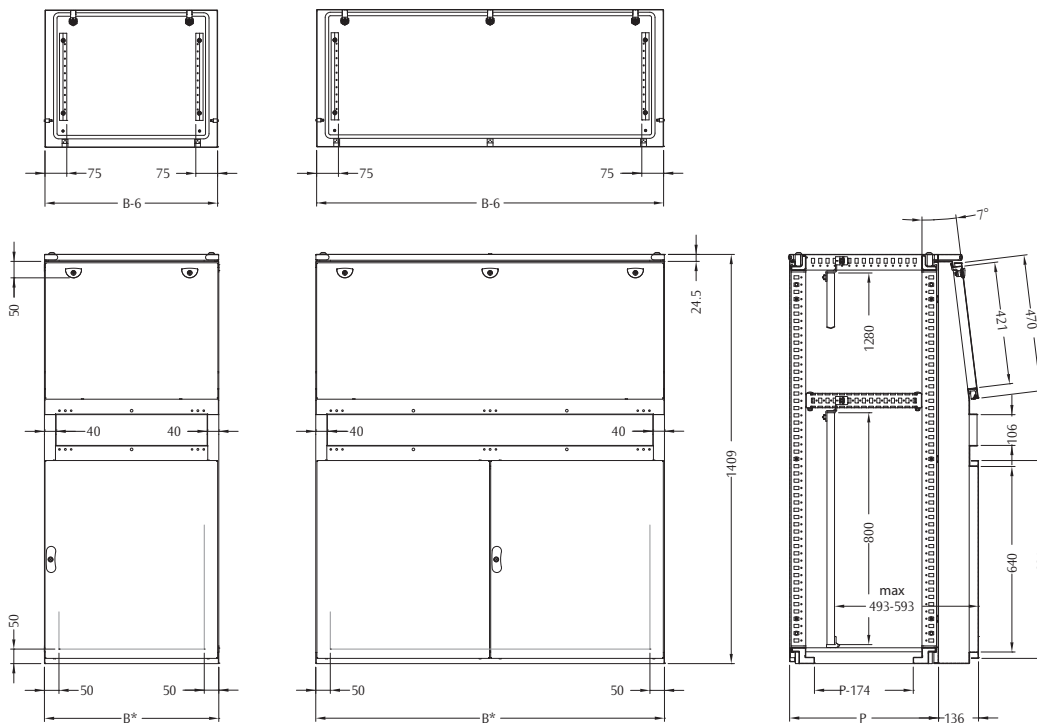
SUPPLY

- E NUX structure with rear door or panel (assembled or in kit) and EUAL front frame complete with upper and lower doors
- to complete the configuration of the front, it shall be ordered separately the EUME shelf or the EUPN front panel
- supply includes adhesive gasket and mounting accessories.

PROTECTION RATING

- IP55 complying with IEC EN62208; EN60529
- impact resistance IK10 complying with IEC EN62208; EN62202.



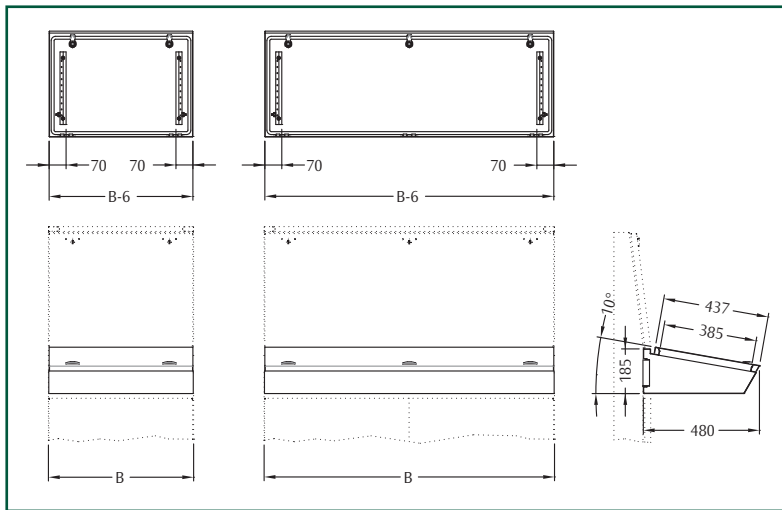


* With side panels mounted, add 12 mm

DESK CABINET E NUX

DIMENSIONS			CABINET DIM.		FLAT-PACK VERSION				ASSEMBLED VERSION	
WIDTH	HEIGHT	DEPTH	B	P	TOP + BOTTOM	EUAL FRONT STR. + STR. UPRIGHTS	REAR DOOR + UPRIGHTS	REAR PANEL + UPRIGHTS	E NUX AL WITH REAR DOOR	E NUX AL WITH REAR PANEL
600	1400	400	600	414	EUTF060040	EUAL060140	EUP0060140	EURE060140	EUAL061404FP	EUAL061404FR
800	1400	400	800	414	EUTF080040	EUAL080140	EUP0080140	EURE080140	EUAL081404FP	EUAL081404FR
1200	1400	400	1200	414	EUTF120040	EUAL120140	EUP0120140	EURE120140	EUAL121404FP	EUAL121404FR
1600	1400	400	1600	414	EUTF160040	EUAL160140	EUP0160140	EURE160140	EUAL161404FP	EUAL161404FR
600	1400	500	600	514	EUTF060050	EUAL060140	EUP0060140	EURE060140	EUAL061405FP	EUAL061405FR
800	1400	500	800	514	EUTF080050	EUAL080140	EUP0080140	EURE080140	EUAL081405FP	EUAL081405FR
1200	1400	500	1200	514	EUTF120050	EUAL120140	EUP0120140	EURE120140	EUAL121405FP	EUAL121405FR
1600	1400	500	1600	514	EUTF160050	EUAL160140	EUP0160140	EURE160140	EUAL161405FP	EUAL161405FR

Control desks



SHELF EUME

CHARACTERISTICS

Structure manufactured from 1.5 mm thick sheet steel. Upper panel manufactured from 1.5 mm thick sheet steel with \varnothing 3 mm double bar locking system, sendzimir rails and gas springs to avoid accidental closing.

PAINT FINISH

ETA standard epoxy polyester powder coating.
Colour: RAL 7035 textured finish.

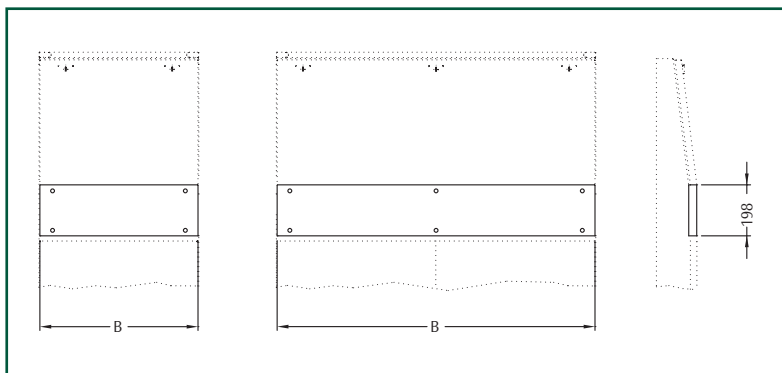
SUPPLY

Enclosure with:

- upper panel
- sealing gasket
- mounting accessories.

SHELF		
EUME CODE	CABINET WIDTH	B
EUME000600AL	600	600
EUME000800AL	800	800
EUME001200AL	1200	1200
EUME001600AL	1600	1600

Control desks



PANEL EUPN

CHARACTERISTICS

Manufactured from 1.5 mm thick sheet steel.

PAINT FINISH

Colour: RAL 7035 textured finish.

SUPPLY

Includes 1 piece with mounting accessories.

PANEL		
EUPN CODE	CABINET WIDTH	B
EUPN000600	600	594
EUPN000800	800	794
EUPN001200	1200	1194
EUPN001600	1600	1594

FRONT INSERTED MOUNTING PLATE EUPR/EUPA

Manufactured from 2.5 mm thick sendzimir sheet steel. For L>1400: Mounting plate manufactured with two parts with horizontal union and stiffening omega.

Note: to be ordered separately: mounting plate kit WTKB-002.

Note: for the mounting plate H=800, in depth profile WTPR and mounting accessories WTSF-001CP have to be ordered separately.

PROFILES

WTPR CODE	CABINET DEPTH
WTPR-050040CP	400
WTPR-050050CP	500



MODULAR PLINTH EUZE

CHARACTERISTICS

Corner pieces manufactured from 2.5 mm thick press bent sheet steel, with PVC front covers caps. Front and side crosspieces manufactured from 2.0 mm thick press bent sheet steel.

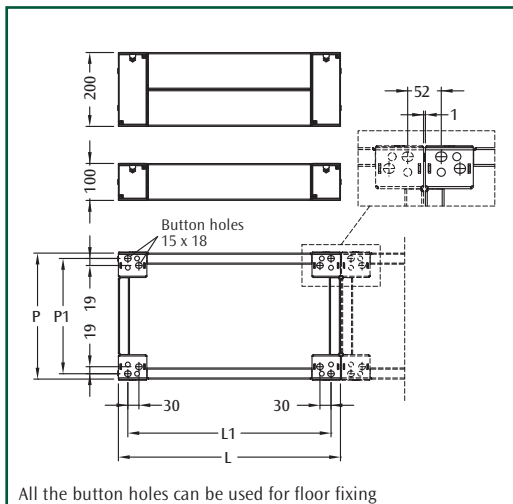
PAINT FINISH

ETA standard epoxy polyester powder coating.
Colour: RAL 5020 textured finish.

SUPPLY

The modular plinth is made up of:

- corner pieces: supply includes 4 pieces complete with front covers and mounting hardware
- front/rear crosspieces: supply includes 2 pieces
- side crosspieces: supply includes 2 pieces.



MOUNTING PLATE

EUPR / EUPA CODE	CABINET WIDTH	MOUNTING PLATE DIMENSIONS	
		L	H
EUPR-060080	600	485	800
EUPR-080080	800	685	800
EUPR-120080	1200	1085	800
EUPR-160080	1600	1485	800
EUPA-060140	600	485	1280
EUPA-080140	800	685	1280
EUPA-120140	1200	1085	1280
EUPA-160140	1600	1485	1280

UNIVERSAL CORNER PIECES

EUZE CODE	DESCRIPTION
EUZE-A100	CORNER PIECES FOR PLINTH H=100
EUZE-A200	CORNER PIECES FOR PLINTH H=200

Note: supply includes 4 pieces with mounting accessories.

SIDE CROSSPIECES FOR E NUX AL

EUZE CODE	DESCRIPTION	CROSS. LENGTH MM
EUZE-T0400T	PLINTH CROSSPIECES D=400	369
EUZE-T0500T	PLINTH CROSSPIECES D=500	469

FRONT CROSSPIECES

EUZE CODE	DESCRIPTION	CROSS. LENGTH MM
EUZE-T0600	PLINTH CROSSPIECES W=600	444
EUZE-T0800	PLINTH CROSSPIECES W=800	644
EUZE-T1200	PLINTH CROSSPIECES W=1200	1044
EUZE-T1600	PLINTH CROSSPIECES W=1600	1444

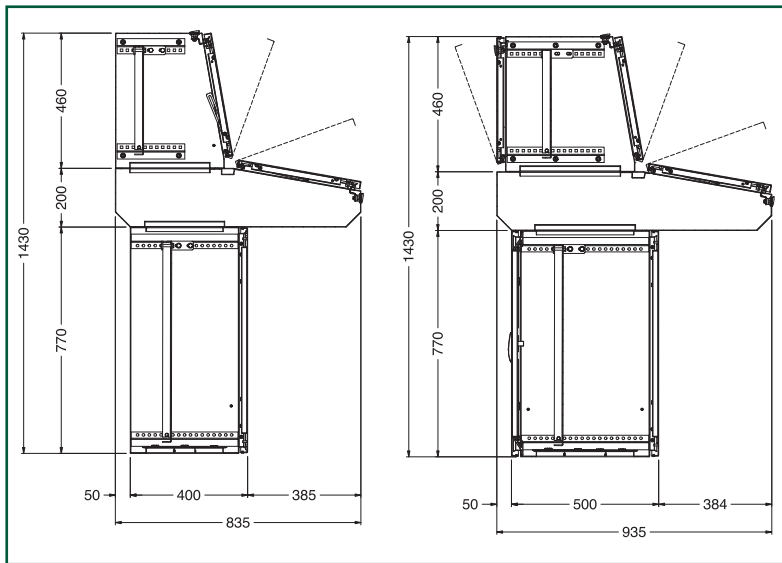
DIMENSIONAL SPECIFICATIONS

CABINET DIM.		PLINTH DIM.		CENT. DISTANCES	
L	P	L	P	L1	P1
600	400	600	503	549	474
600	500	600	603	549	574
800	400	800	503	749	474
800	500	800	603	749	574
1200	400	1200	503	1149	474
1200	500	1200	603	1149	574
1600	400	1600	503	1549	474
1600	500	1600	603	1549	574

Note: to order the front and side crosspieces H=200, add the suffix "D" to the code (i.e.: EUZE-T0400TD).

Note: supply includes 2 pieces.

MODULAR CONTROL DESKS



BOX AE



CHARACTERISTICS

Structure manufactured from 1.5 mm thick press bent sheet steel and door manufactured from 1.5 mm thick sheet steel with lateral stiffening cover and \varnothing 3 mm double bar locking system. Mounting plate manufactured from 2.5 mm thick sendzimir sheet steel.

SUPPLY

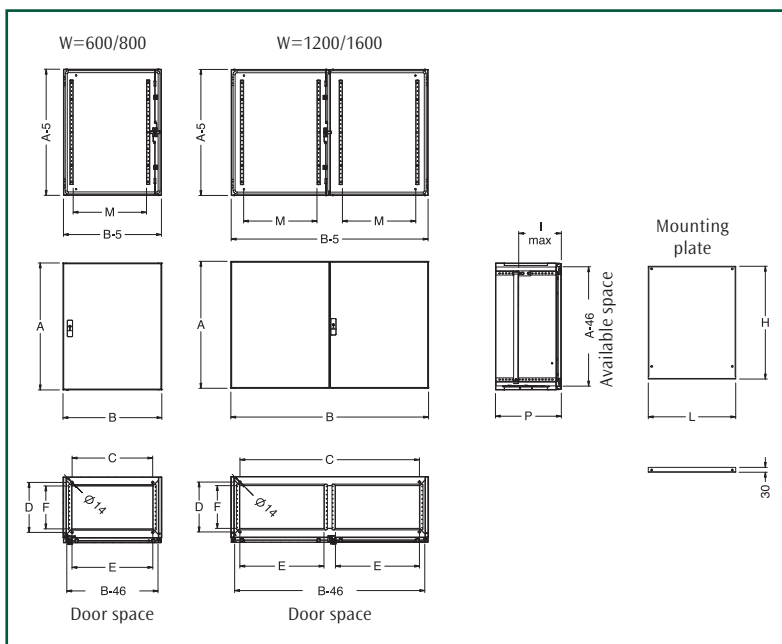
- enclosure
- front door (for base P=500 mm, front and rear door)
- mounting plate
- adjustable cable entry.

PAINT FINISH

ETA standard epoxy polyester powder coating. Colour: RAL 7035 textured finish.

PROTECTION RATING

- IP55 complying with IEC EN62208; EN60529
- NEMA 12 complying with UL508A; UL50
- protection degree guaranteed by the two-component polyurethane foam seal
- impact resistance IK10 complying with IEC EN62208; EN62202.



Control desks

BOX AE

AE CODE	DIMENSIONS			FLOOR FIXING		CABLE ENTRY		DOOR SPACE		MOUNTING PLATE	
	B	A	P	C	D	E	F	M	L	H	I MAX
AE601	600	770	400	489	303	500	270	445	530	684	358
AE802	800	770	400	689	303	700	270	645	730	684	358
AE123	1200	770	400	1089	303	515 (x 2)	270	445	1130	684	358
AE164	1600	770	400	1489	303	715 (x 2)	270	645	1530	684	358
AE8025	800	770	500	689	373	700	340	645	730	684	425
AE1235	1200	770	500	1089	373	515 (x 2)	340	445	1130	684	425
AE1645	1600	770	500	1489	373	715 (x 2)	340	645	1530	684	425

SHELF LE



CHARACTERISTICS

Enclosure manufactured from 1.5 mm press bent sheet steel. Upper panel manufactured from 2.0 mm thick sheet steel with \varnothing 3 mm double bar locking system, sendzimir rails and gas springs to support lid and avoiding accidental closing.

SUPPLY

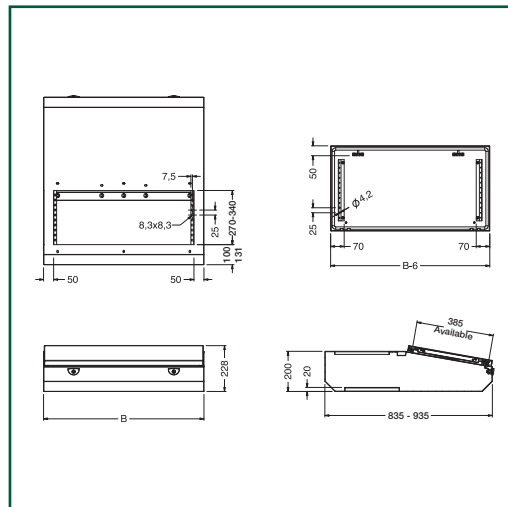
- enclosure
- upper panel
- rails to mount supplementary mounting plate
- sealing gasket
- mounting accessories.

PAINT FINISH

ETA standard epoxy polyester powder coating.
Colour: RAL 7035 textured finish.

PROTECTION

- IP55 complying with IEC EN62208; EN60529
- NEMA 12 complying with UL508A; UL50
- protection degree guaranteed by the two-component polyurethane foam seal
- impact resistance IK10 complying with IEC EN62208; EN62202.



SHELF

LE CODE	B	P	NO. OF LOCKS
LE601	600	400	2
LE802	800	400	2
LE123	1200	400	2
LE164	1600	400	3
LE8025	800	500	2
LE1235	1200	500	2
LE1645	1600	500	3

UPPER PART PE



CHARACTERISTICS

Structure manufactured from 1.5 mm thick press bent sheet steel. Mounting plate manufactured from 2.5 mm thick zincpассивated rails for mounting plate adjustment. Door manufactured from 2.0 mm thick sheet steel complete with sendzimir vertical rails, mechanical stop and \varnothing 3 mm double bar locking system.

SUPPLY

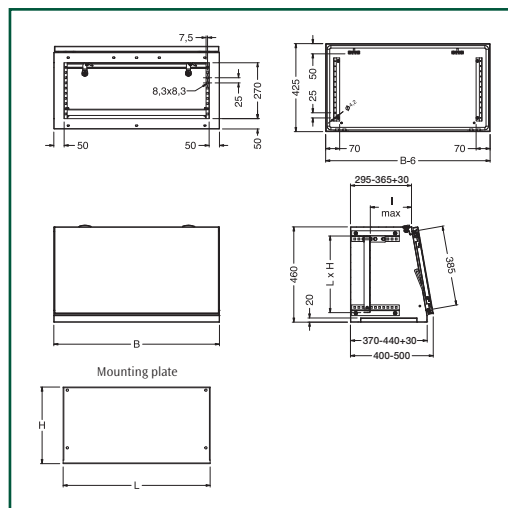
- enclosure
- front door (for upper part P=500 mm, front door and rear cover)
- mounting plate
- sealing gasket
- mounting accessories.

PAINT FINISH

ETA standard epoxy polyester powder coating.
Enclosure, door and panel: colour RAL 7035 textured finish.

PROTECTION RATING

- IP55 complying with IEC EN62208; EN60529
- NEMA 12 complying with UL508A; UL50
- protection degree guaranteed by the two-component polyurethane foam seal
- impact resistance IK10 complying with IEC EN62208; EN62202.



UPPER PART

PE CODE	B	P	L	H	I MAX	NO. OF LOCKS
PE601	600	400	510	370	250	2
PE802	800	400	710	370	250	2
PE123	1200	400	1110	370	250	2
PE164	1600	400	1510	370	250	3
PE8025	800	500	710	370	335	2
PE1235	1200	500	1110	370	335	2
PE1645	1600	500	1510	370	335	3



SHELF ME



CHARACTERISTICS

Enclosure manufactured from 1.5 mm thick press bent sheet steel. Upper panel manufactured from 2.0 mm thick sheet steel with $\varnothing 3$ mm double bar locking system, sendzimir rails and gas springs to avoid accidental closing.

SUPPLY

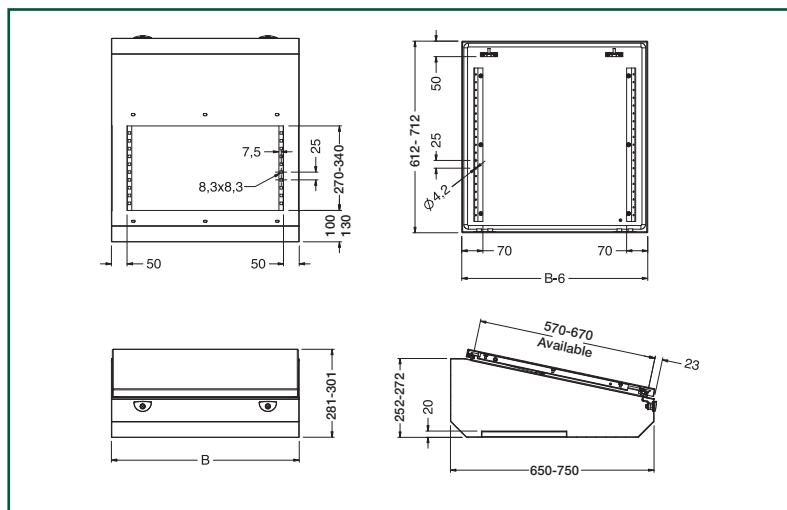
- enclosure
- panel
- sealing gasket
- mounting accessories.

PAINT FINISH

ETA standard epoxy polyester powder coating.
Colour: RAL 7035 textured finish.

PROTECTION RATING

- IP55 complying with IEC EN62208; EN60529
- NEMA 12 complying with UL508A; UL50
- protection degree guaranteed by the two-component polyurethane foam seal
- impact resistance IK10 complying with IEC EN62208; EN62202.



SHELF

ME CODE	B	P	NO. OF LOCKS
ME601	600	400	2
ME802	800	400	2
ME123	1200	400	2
ME164	1600	400	3
ME8025	800	500	2
ME1235	1200	500	2
ME1645	1600	500	3

MODULAR PLINTH EUZE

CHARACTERISTICS

Corner pieces manufactured from 2.5 mm thick press bent sheet steel, with PVC front covers caps. Front and side crosspieces manufactured from 2.0 mm thick press bent sheet steel.

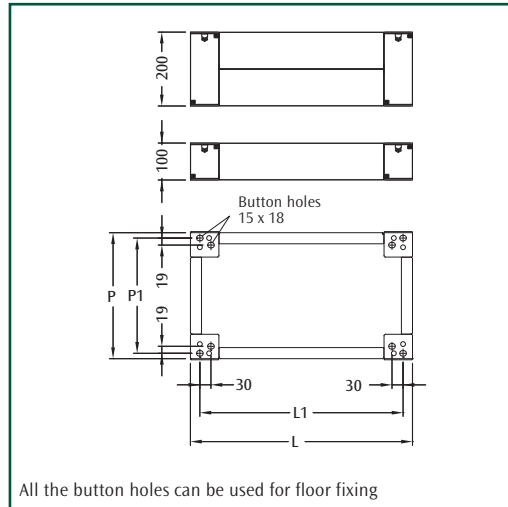
PAINT FINISH

ETA standard epoxy polyester powder coating.
Colour: RAL 5020 textured finish.

SUPPLY

The modular plinth is made up of:

- corner pieces: supply includes 4 pieces complete with front covers and mounting hardware
- front/rear crosspieces: supply includes 2 pieces
- side crosspieces: supply includes 2 pieces.



UNIVERSAL CORNER PIECES

EUZE CODE	DESCRIPTION
EUZE-A100	CORNER PIECES FOR PLINTH H=100
EUZE-A200	CORNER PIECES FOR PLINTH H=200

Note: supply includes 4 pieces with mounting accessories.

FRONT CROSSPIECES

EUZE CODE	DESCRIPTION	CROSS. LENGTH MM
EUZE-T0600	PLINTH CROSSPIECES W=600	444
EUZE-T0800	PLINTH CROSSPIECES W=800	644
EUZE-T1200	PLINTH CROSSPIECES W=1200	1044
EUZE-T1600	PLINTH CROSSPIECES W=1600	1444

Note: supply includes 2 pieces.

Note: to order the front crosspieces H=200, add the suffix "D" to the code (i.e.: EUZE-T0600D).

AE SIDE CROSSPIECES

EUZE CODE	DESCRIPTION	CROSS. LENGTH MM
EUZE-T0400C	PLINTH CROSSPIECES D=400	236
EUZE-T0500B	PLINTH CROSSPIECES D=500	306

Note: supply includes 2 pieces.

Note: to order the side crosspieces H=200, add the suffix "D" to the code (i.e.: EUZE-T0400CD).

DIMENSIONAL SPECIFICATIONS

CONTROL DESK DIM.		PLINTH DIM.		CENT. DISTANCES	
L	P	L	P	L1	P1
600	400	600	370	549	341
800	400	800	370	749	341
800	500	800	440	749	411
1200	400	1200	370	1149	341
1200	500	1200	440	1149	411
1600	400	1600	370	1549	341
1600	500	1600	440	1549	411

MONOBLOC CONTROL DESKS



CHARACTERISTICS

Enclosure manufactured from 1.5 mm thick press bent sheet steel provided with front and rear doors manufactured from 1.5 mm thick sheet steel with lateral stiffening cover, and upper panel manufactured from 1.5 mm thick sheet steel complete with sendzimir rails and gas springs to avoid accidental closing. Adjustable in depth mounting plate manufactured from 2.5 mm thick sendzimir sheet steel.

PAINT FINISH

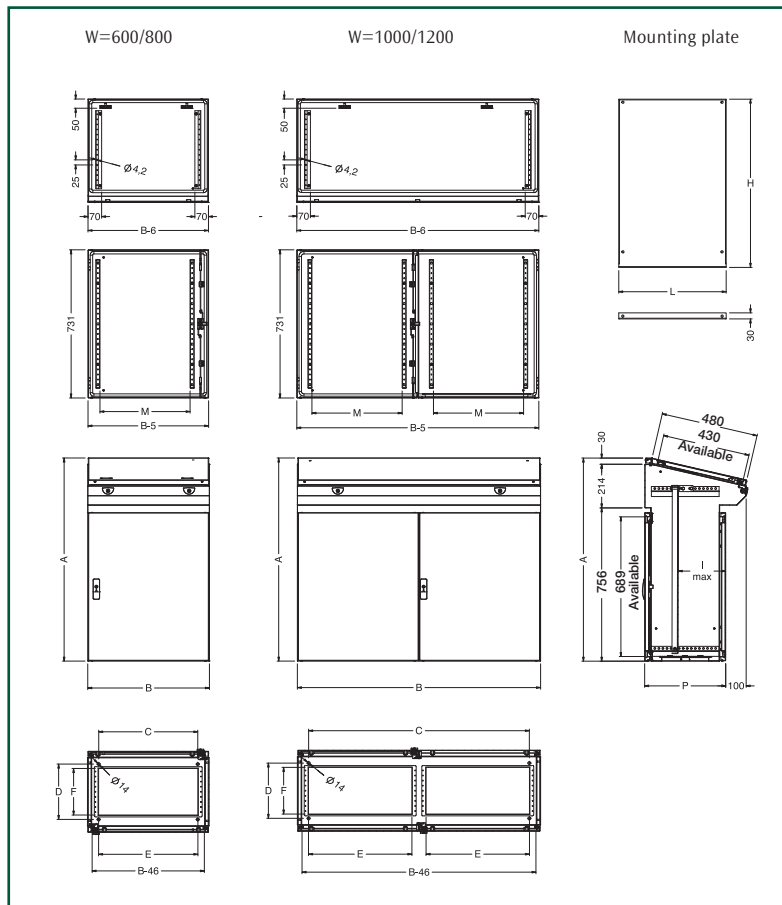
ETA standard epoxy polyester powder coating.
Structure, doors, upper panel: colour RAL 7035 textured finish.

SUPPLY

- control desk
- doors complete with $\varnothing 3$ mm double bar closing system
- upper panel complete with closing system
- mounting plate
- adjustable cable entry.

PROTECTION RATING

- IP55 complying with IEC EN62208; EN60529
- NEMA 12 complying with UL508A, UL50
- impact resistance IK10 complying with IEC EN62208; EN62202.



Control desks

CONTROL DESK

SBA CODE	DIMENSIONS			FLOOR FIXING		CABLE ENTRY		DOOR SPACE	MOUNTING PLATE		
	B	A	P	C	D	E	F	M	L	H	I MAX
SBA601	600	1000	400	489	273	490	230	445	530	830	334
SBA801	800	1000	400	689	273	690	230	645	730	830	334
SBA001	1000	1000	400	889	273	410 (x2)	230	345	930	830	334
SBA201	1200	1000	400	1089	273	510 (x2)	230	445	1130	830	334

MODULAR PLINTH EUZE

CHARACTERISTICS

Corner pieces manufactured from 2.5 mm thick press bent sheet steel, with PVC front covers caps. Front and side crosspieces manufactured from 2.0 mm thick press bent sheet steel.

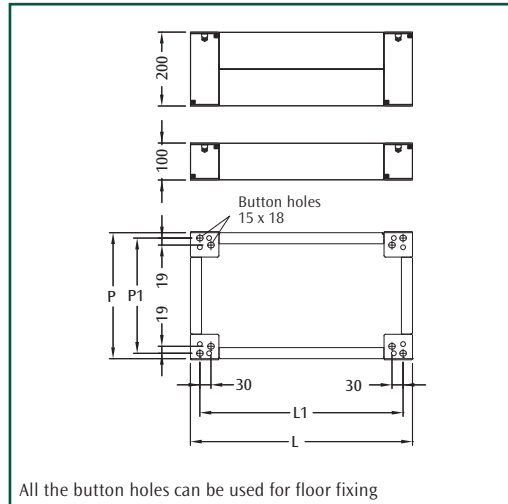
PAINT FINISH

ETA standard epoxy polyester powder coating.
Colour: RAL 5020 textured finish.

SUPPLY

The modular plinth is made up of:

- corner pieces: supply includes 4 pieces complete with front covers and mounting hardware
- front/rear crosspieces: supply includes 2 pieces
- side crosspieces: supply includes 2 pieces.



UNIVERSAL CORNER PIECES

EUZE CODE	DESCRIPTION
EUZE-A100	CORNER PIECES FOR PLINTH H=100
EUZE-A200	CORNER PIECES FOR PLINTH H=200

Note: supply includes 4 pieces with mounting accessories.

UNIVERSAL FRONT CROSSPIECES

EUZE CODE	DESCRIPTION	CROSS. LENGTH MM
EUZE-T0600	FRONT CROSS. FOR PLINTH W=600	444
EUZE-T0800	FRONT CROSS. FOR PLINTH W=800	644
EUZE-T1000	FRONT CROSS. FOR PLINTH W=1000	844
EUZE-T1200	FRONT CROSS. FOR PLINTH W=1200	1044

Note: supply includes 2 pieces.

Note: to order the front crosspieces H=200 add the suffix "D" to the code (i.e.: EUZE-T0600D).

SBA SIDE CROSSPIECES

EUZE CODE	DESCRIPTION	CROSS. LENGTH MM
EUZE-T0400B	SIDE CROSS. PLINTH D=400	206

Note: supply includes 2 pieces.

Note: to order the side crosspieces H=200, add the suffix "D" to the code (i.e.: EUZE-T0400BD).

DIMENSIONAL SPECIFICATIONS

CONTROL DESK DIM.		PLINTH DIM.		CENT. DISTANCES	
L	P	L	P	L1	P1
600	400	600	340	549	311
800	400	800	340	749	311
1000	400	1000	340	949	311
1200	400	1200	340	1149	311

MONOBLOC CONTROL DESKS



CHARACTERISTICS

Enclosure manufactured from 1.5 mm thick press bent sheet steel provided with front door manufactured from 1.5 mm thick sheet steel with lateral stiffening cover, and upper panel manufactured from 1.5 mm thick sheet steel complete with sendzimir rails and gas springs.

Mounting plate manufactured from 2.5 mm thick sendzimir sheet steel mounted on the rear cover.

PAINT FINISH

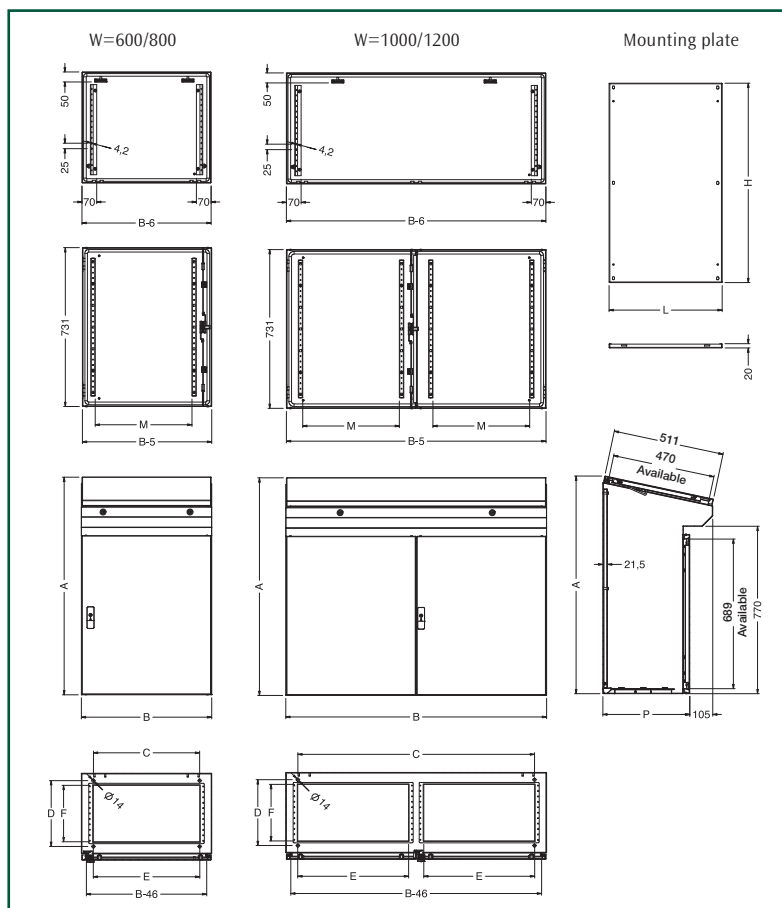
ETA standard epoxy polyester powder coating.
Structure, doors, upper panel: colour RAL 7035 textured finish.

SUPPLY

- control desk
- door complete with \varnothing 3 mm double bar closing system
- upper panel complete with closing system
- mounting plate
- adjustable cable entry.

PROTECTION RATING

- IP55 complying with IEC EN62208; EN60529
- NEMA 12 complying with UL508A, UL50
- impact resistance IK10 complying with IEC EN62208; EN62202.



Control desks

CONTROL DESK

ZBA CODE	DIMENSIONS			FLOOR FIXING		CABLE ENTRY		DOOR SPACE	MOUNTING PLATE	
	B	A	P	C	D	E	F	M	L	H
ZBA601	600	1000	400	489	303	490	260	445	520	918
ZBA801	800	1000	400	689	303	690	260	645	720	918
ZBA001	1000	1000	400	889	303	410 (x2)	260	345	920	918
ZBA201	1200	1000	400	1089	303	510 (x2)	260	445	1120	918

MODULAR PLINTH EUZE

CHARACTERISTICS

Corner pieces manufactured from 2.5 mm thick press bent sheet steel, with PVC front covers caps. Front and side crosspieces manufactured from 2.0 mm thick press bent sheet steel.

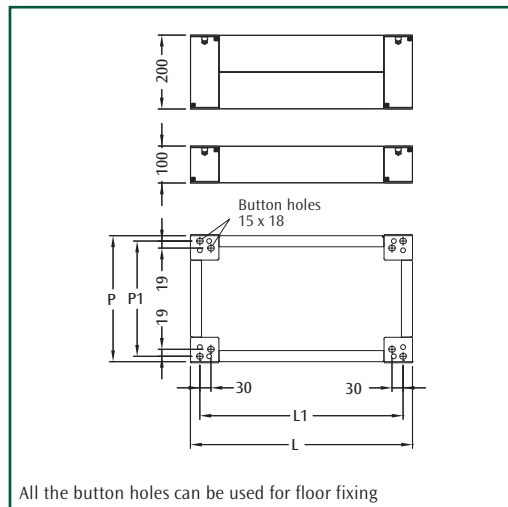
PAINT FINISH

ETA standard epoxy polyester powder coating.
Colour: RAL 5020 textured finish.

SUPPLY

The modular plinth is made up of:

- corner pieces: supply includes 4 pieces complete with front covers and mounting hardware
- front/rear crosspieces: supply includes 2 pieces
- side crosspieces: supply includes 2 pieces.



UNIVERSAL CORNER PIECES

EUZE CODE	DESCRIPTION
EUZE-A100	CORNER PIECES FOR PLINTH H=100
EUZE-A200	CORNER PIECES FOR PLINTH H=200

Note: supply includes 4 pieces with mounting accessories.

UNIVERSAL FRONT CROSSPIECES

EUZE CODE	DESCRIPTION	CROSS. LENGTH MM
EUZE-T0600	FRONT CROSS. FOR PLINTH W=600	444
EUZE-T0800	FRONT CROSS. FOR PLINTH W=800	644
EUZE-T1000	FRONT CROSS. FOR PLINTH W=1000	844
EUZE-T1200	FRONT CROSS. FOR PLINTH W=1200	1044

Note: supply includes 2 pieces.

Note: to order the front crosspieces H=200 add the suffix "D" to the code (i.e.: EUZE-T0600D).

ZBA SIDE CROSSPIECES

EUZE CODE	DESCRIPTION	CROSS. LENGTH MM
EUZE-T0400C	SIDE CROSS. PLINTH D=400	236

Note: supply includes 2 pieces.

Note: to order the side crosspieces H=200, add the suffix "D" to the code (i.e.: EUZE-T0400CD).

DIMENSIONAL SPECIFICATIONS

CONTROL DESK DIM.		PLINTH DIM.		CENT. DISTANCE	
L	P	L	P	L1	P1
600	400	600	370	549	341
800	400	800	370	749	341
1000	400	1000	370	949	341
1200	400	1200	370	1149	341



CASING FOR PE

To be mounted on the 500mm deep PE instead of the rear panel when a greater depth is required.

CHARACTERISTICS

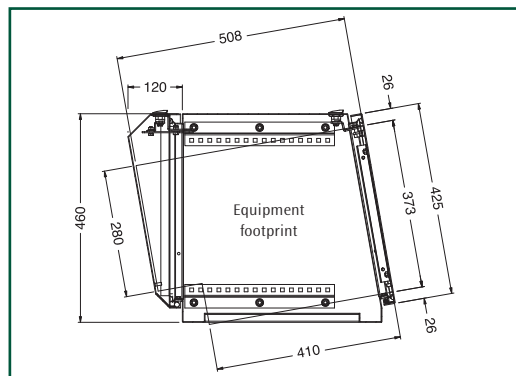
Manufactured from 1.5 mm thick sheet steel.

PAINT FINISH

ETA standard epoxy polyester powder coating.
Colour: RAL 7035 textured finish.

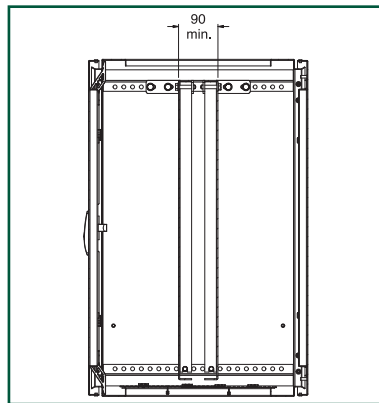
SUPPLY

Includes 1 casing with closing system, sealing gasket and mounting accessories.



CASING PE	
PECF CODE	PE WIDTH
PECF8025	800
PECF1235	1200
PECF1645	1600

Control desks



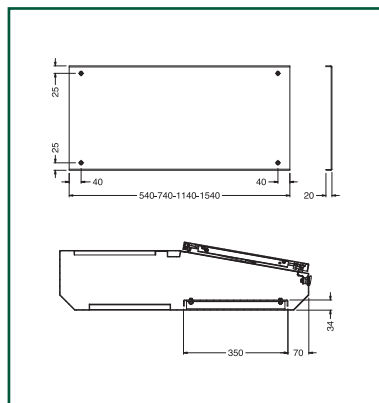
MOUNTING PLATE (ADDITIONAL) FOR BASE AE

Manufactured from 2.5 mm thick sendzimir sheet steel.

SUPPLY

Includes 1 piece complete with mounting accessories.

MOUNTING PLATE FOR AE	
PA4-AE CODE	AE WIDTH
PA4-AE825	800
PA4-AE235	1200
PA4-AE645	1600



MOUNTING PLATE FOR SHELF LE

Manufactured from 2.5 mm thick sendzimir sheet steel.

SUPPLY

Includes 1 piece complete with mounting accessories.

MOUNTING PLATE FOR LE	
PA4-LE CODE	LE WIDTH
PA4-LE015	600
PA4-LE025	800
PA4-LE235	1200
PA4-LE645	1600

COVER TL FOR LE SHELF

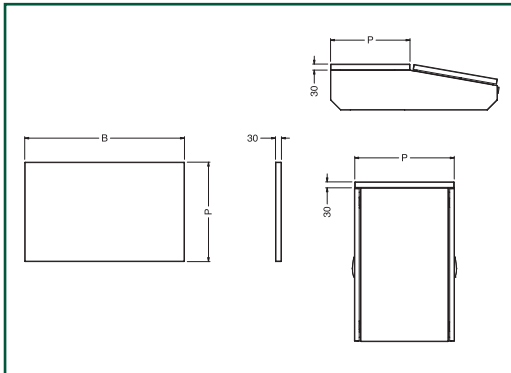
Manufactured from 2.5 mm thick sheet steel.

PAINT FINISH

Colour: RAL 7035 textured finish.

SUPPLY

Includes 1 piece complete with sealing gasket and mounting accessories.



TL FOR LE D=400 MM

TL CODE	DIMENSIONS	
	B	P
TL601	600	398
TL802	800	398
TL123	1200	398
TL164	1600	398

TL FOR LE D=500 MM

TL CODE	DIMENSIONS	
	B	P
TL8025	800	498
TL1235	1200	498
TL1645	1600	498

HANDLE FOR CONTROL DESK

Manufactured from aluminium alloy.

Supply includes 1 piece complete with mounting accessories.

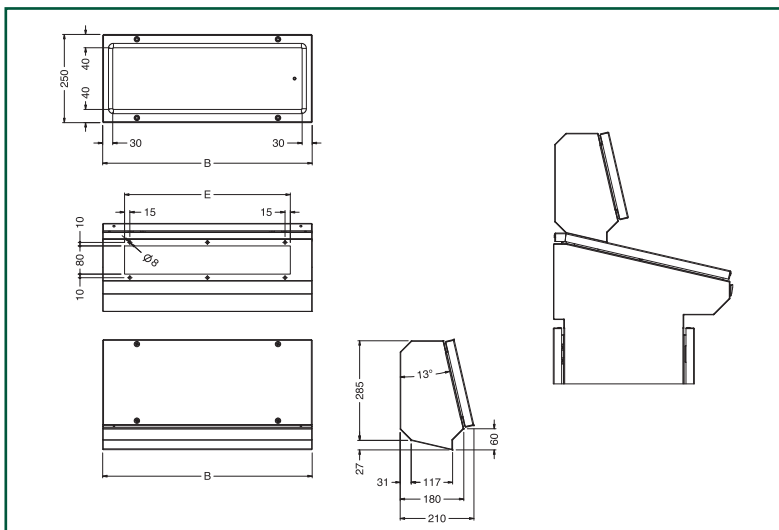


Control desks

HANDLE

WA CODE	DESK WIDTH
WA-400	600
WA-410	800
WA-430	1000
WA-440	1200
WA-450	1600

SPA UPPER PART

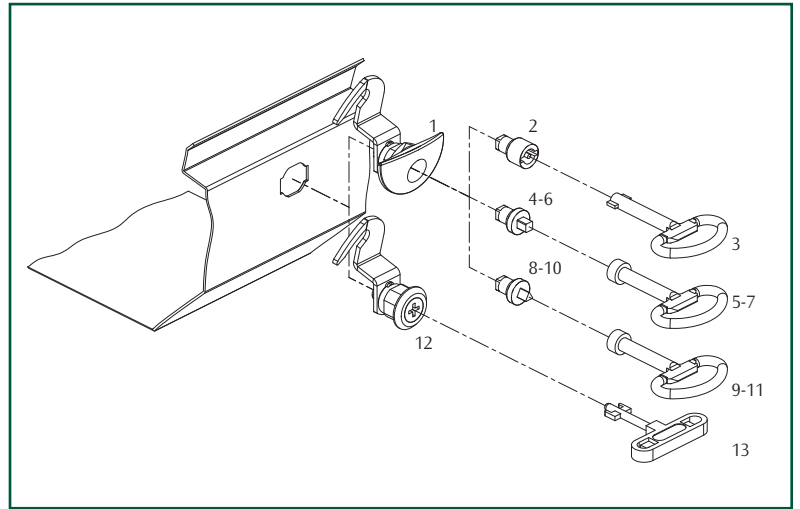


SPA UPPER PART

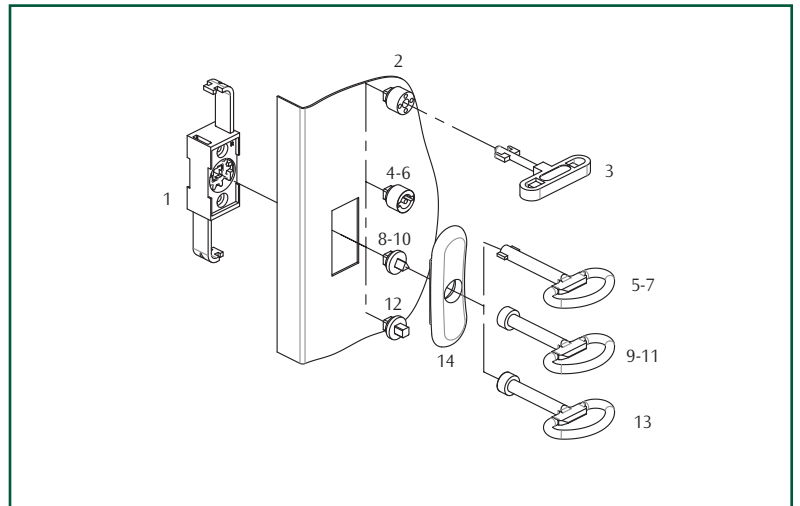
SPA CODE	DIMENSIONS	
	B	E
SPA601	594	470
SPA801	794	670
SPA001	994	870
SPA201	1194	1070

LOCKING SYSTEMS

LOCKING SYSTEMS		
WE CODE	REF.	DESCRIPTION
WE251	1	LOCK
WE255	2	ETA INSERT
WE160	3	ETA KEY
WE260	4	INSERT \varnothing 6 MM
WE263	5	KEY \varnothing 6 MM
WE265	6	INSERT \varnothing 7 MM
WE268	7	KEY \varnothing 7 MM
WE270	8	INSERT \varnothing 6,5 MM
WE273	9	KEY \varnothing 6,5 MM
WE275	10	INSERT \varnothing 8 MM
WE278	11	KEY \varnothing 8 MM
WE209	12	FIAT LOCK
WE210	13	FIAT KEY



LOCKING SYSTEMS		
WE CODE	REF.	DESCRIPTION
WE010	1	ROD SYSTEM
WE080	2	FIAT INSERT
WE210	3	FIAT KEY
WE030	4	ETA INSERT \varnothing 3 MM
WE160	5	ETA KEY \varnothing 3 MM
WE040	6	ETA INSERT \varnothing 5 MM
WE170	7	ETA KEY \varnothing 5 MM
WE050	8	INSERT \varnothing 7 MM
WE180	9	KEY \varnothing 7 MM
WE060	10	INSERT \varnothing 8 MM
WE190	11	KEY \varnothing 8 MM
WE070	12	INSERT \varnothing 7 MM
WE200	13	KEY \varnothing 7 MM
WE021	14	ETA LOCK COVER



SOLUTIONS FOR EXTREME APPLICATIONS

SUITE CABINETS E NUX
MONOBLOC CABINETS E MOX
COMPACT SOLUTIONS E COMP
WALL-MOUNTING BOXES E COR
ELECTRICAL ENCLOSURES
COMPLYING WITH ATEX E COR
TERMINAL BOXES E GRAN
PUSHBUTTON BOXES SHX
SOLUTIONS
WITH SLOPED ROOF E COR
MONOBLOC CONTROL DESKS ZBX
MODULAR CONTROL DESKS
STAINLESS STEEL SOLUTIONS

SINGLE WALL SOLUTIONS E VIS
DOUBLE WALL SOLUTIONS E VIS
OUTDOOR SOLUTIONS

EMC SOLUTIONS

SUITE CABINETS E NUX
WALL MOUNTING BOXES STE
TERMINAL BOXES SDE

STAINLESS STEEL



e nux
STAINLESS STEEL

e mox
STAINLESS STEEL

e comp
STAINLESS STEEL

e cor
STAINLESS STEEL

e GRAN
STAINLESS STEEL

EXTREME PROTECTION FOR HARSH ENVIRONMENTS



- FOOD
- OIL & GAS
- CHEMICAL
- PETRO-CHEMICAL
- IN-SHORE MARINE ENVIRONMENTS
- OFF-SHORE

Stainless steel

For indoor and outdoor applications, where the main requirement is to offer a high resistance to harsh chemical and environmental factors, we propose AISI304L and AISI316L stainless steel solutions.



Stainless steel

S
U
P
E
R

Certified welding process UNI EN15614 WPAR (Welding Procedure Approval Record) and WPS (Welding Procedure Specification).

Certification of the quality management system according to ATEX standard.

Highly qualified & well trained staff.

Customisation with holes, cut-outs, special dimension & professional assistance for special projects.

IMQ

EN13980



ISO 15614-1



ISO 9001

RESEARCH

Use of new silicone seal for the new ranges of stainless steel products.



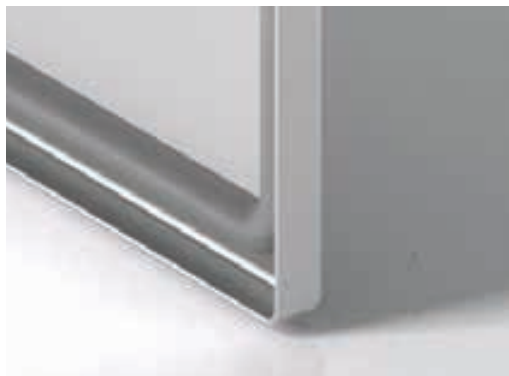
ADDED VALUE

Cabinet E NUX and boxes E COR provided with AISI316L stainless steel hinges. E NUX components: rear panel fixing brackets, side panel fixing brackets, door locking points, everything manufactured from stainless steel AISI316L.



STRENGTH

New E COR, E NUX, E MOX and E COMP front door, produced with formed corners. E NUX structure proposed with the same high-performance constructive concepts of the sheet steel version.



DESIGN

A new locking cover for boxes E COR with a double door, a functional and eye-catching handle used for cabinets: E NUX, E MOX and E COMP.



SUSTAINABILITY

Innovative energy-saving laser technology for high precision welding in order to produce our structure E NUX.

PROTECTION

Boxes E COR, cabinets E NUX and E MOX/E COMP doors manufactured from pre-satinized stainless steel sheet (AISI304L or AISI316L) covered with PVC film for additional protection and provided with new packaging.

FUNCTIONALITY

Front door with a reduced dimension of the door angle, in order to permit the door opening in case of E COR boxes placed side by side. Easy assembly of E NUX suite cabinet thanks to the innovative orthogonal joint.

Stainless steel

EASINESS

Boxes E COR supplied with a mounting plate that is provided with slots in the corner, to allow a simple installation.



CHARACTERISTICS

The profile used for uprights and crosspieces is unique, manufactured from stainless steel AISI304L (AISI316L on request), closed with continuous welding and free of sharp edges. The bottom is a single piece with box-type structure manufactured from press-bent welded profiles (in stainless steel AISI304L (AISI316L on request)), while the frame corners are manufactured with AISI316L stainless steel orthogonal joints laser welded to vertical upright rails and horizontal rails for the roof and bottom. The union of the entire structure is obtained by 8 high-strength screws and positioning pins between the two parts of the orthogonal joint. Hinges in stainless steel AISI316L.

SUPPLY

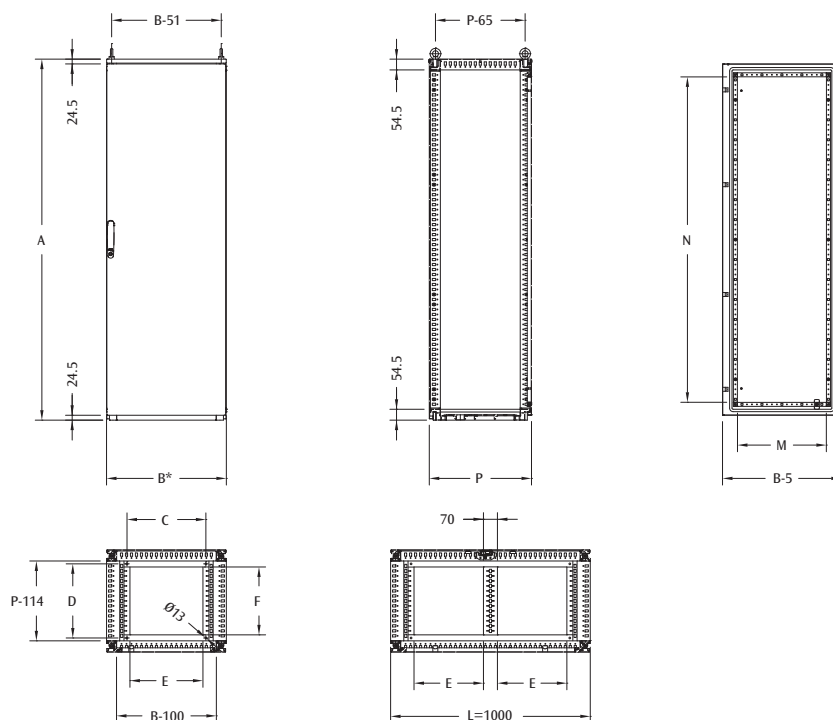
- structure manufactured from stainless steel sheet AISI304L (AISI316L on request)
- roof and rear panel manufactured from pre-satinized stainless steel sheet AISI304L (AISI316L on request)
- door with formed corners manufactured from pre-satinized stainless steel sheet AISI304L (AISI316L on request) provided with a stiffening tubular frame, silicone seal and \varnothing 3 mm double bar lever-operated locking system
- bottom manufactured from stainless steel sheet AISI304L (AISI316L on request) with modular and adjustable cable entry (double cable entry for $L \geq 1000$ mm) and gasket.

PROTECTION RATING

- IP55 complying with IEC EN62208; EN60529
- NEMA 12 complying with UL508A; UL50
- protection degree guaranteed by the two-component silicone foam seal
- impact resistance IK10 complying with IEC EN62208; EN62202.

Note: available on request: single door cabinet and suite cabinets, with protection rating IP56/IP65, NEMA 4X. For more information, see page 69.

Stainless steel

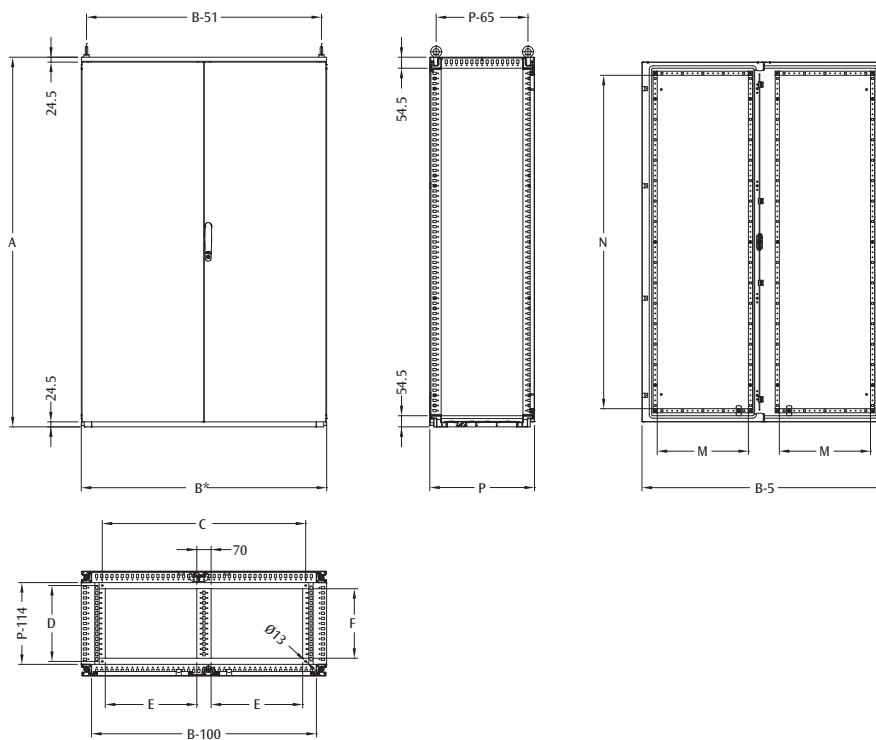


* With side panels mounted, add 12 mm

Note: main accessories to be ordered separately:

- mounting plate EUPA, see page 207
- side panels EUFX, see page 209
- plinth EUZX, see page 210.

Note: available on request: stainless steel modular cabinet E NUX with internal doors and E NUX PC cabinet with sliding shelf.



* With side panels mounted, add 12 mm

Note: main accessories to be ordered separately:

- mounting plate EUPA, see page 207
- side panels EUFX, see page 209
- plinth EUZX, see page 210.

E NUX STAINLESS STEEL WITH SINGLE BLANK DOOR

E NUX CODE	DIMENSIONS			CABINET DIMENSIONS			FLOOR FIXING		CABLE ENTRY		DOOR SPACE	
	WIDTH	HEIGHT	DEPTH	B*	A	P	C	D	E	F	M	N
ENUX-061804PRX	600	1800	400	600	1809	414	395	271	365	240	445	1630
ENUX-061805PRX	600	1800	500	600	1809	514	395	371	365	340	445	1630
ENUX-062005PRX	600	2000	500	600	2009	514	395	371	365	340	445	1830
ENUX-062006PRX	600	2000	600	600	2009	614	395	471	365	440	445	1830
ENUX-081804PRX	800	1800	400	800	1809	414	595	271	565	240	645	1630
ENUX-081805PRX	800	1800	500	800	1809	514	595	371	565	340	645	1630
ENUX-082005PRX	800	2000	500	800	2009	514	595	371	565	340	645	1830
ENUX-082006PRX	800	2000	600	800	2009	614	595	471	565	440	645	1830
ENUX-101805PRX	1000	1800	500	1000	1809	514	795	371	765	340	845	1630
ENUX-101806PRX	1000	1800	600	1000	1809	614	795	471	765	440	845	1630
ENUX-102005PRX	1000	2000	500	1000	2009	514	795	371	765	340	845	1830
ENUX-102006PRX	1000	2000	600	1000	2009	614	795	471	765	440	845	1830

Note: to order a stainless steel enclosure in high grade AISI316L, add the suffix "H" to the code (i.e.:ENUX-061804PRXH).

E NUX STAINLESS STEEL WITH DOUBLE BLANK DOOR

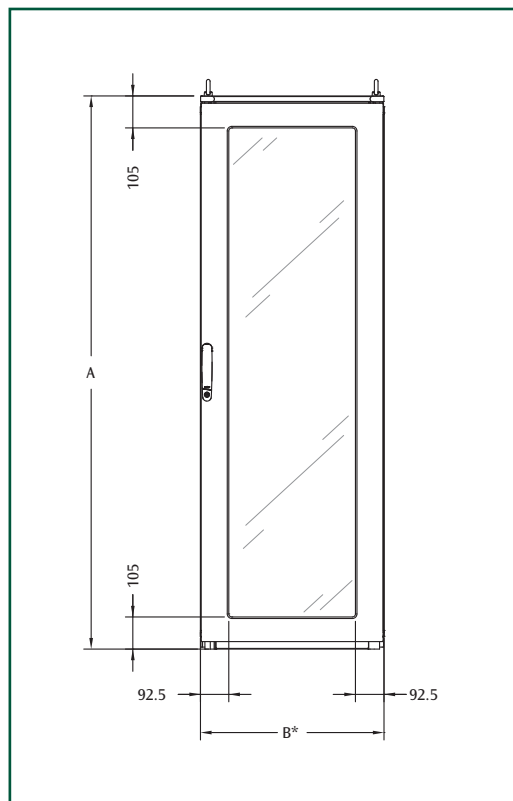
E NUX CODE	DIMENSIONS			CABINET DIMENSIONS			FLOOR FIXING		CABLE ENTRY		DOOR SPACE	
	WIDTH	HEIGHT	DEPTH	B*	A	P	C	D	E	F	M	N
ENUX-121804PRX	1200	1800	400	1200	1809	414	995	271	447	240	445	1630
ENUX-121805PRX	1200	1800	500	1200	1809	514	995	371	447	340	445	1630
ENUX-122005PRX	1200	2000	500	1200	2009	514	995	371	447	340	445	1830
ENUX-122006PRX	1200	2000	600	1200	2009	614	995	471	447	440	445	1830

Note: to order a stainless steel enclosure in high grade AISI316L, add the suffix "H" to the code (i.e.: ENUX-121804PRXH).

Stainless steel



* Product AtEx: Contact the ETA commercial office for cabinet with tempered glass



Stainless steel

CHARACTERISTICS

The profile used for uprights and crosspieces is unique, manufactured from stainless steel AISI304L (AISI316L on request), closed with continuous welding and free of sharp edges. The bottom is a single piece with box-type structure manufactured from press-bent welded profiles (in stainless steel AISI304L (AISI316L on request), while the frame corners are manufactured with AISI316L stainless steel orthogonal joints laser welded to vertical upright rails and horizontal rails for the roof and bottom. The union of the entire structure is obtained by 8 high-strength screws and positioning pins between the two parts of the orthogonal joint. Hinges in stainless steel AISI316L.

SUPPLY

- structure manufactured from stainless steel sheet AISI304L (AISI316L on request)
- roof and rear panel manufactured from pre-satinized stainless steel sheet AISI304L (AISI316L on request)
- door with formed corners manufactured from pre-satinized stainless steel sheet AISI304L (AISI316L on request) provided with a stiffening tubular frame, Plexiglas, silicone seal and \varnothing 3 mm lever-operated double bar locking system
- bottom manufactured from stainless steel sheet AISI304L (AISI316L on request) with modular and adjustable cable entry (double cable entry for W=1000mm) and gasket.

PROTECTION RATING

- IP55 complying with IEC EN62208; EN60529
- NEMA 12 complying with UL508A; UL50
- protection degree guaranteed by the two-component silicone foam seal
- impact resistance IK10 complying with IEC EN62208; EN62202.

E NUX STAIN. STEEL WITH PLEXI DOOR

E NUX CODE	CABINET DIMENSIONS		
	B*	A	P
ENUX-061804PVX	600	1809	414
ENUX-061805PVX	600	1809	514
ENUX-062005PVX	600	2009	514
ENUX-062006PVX	600	2009	614
ENUX-081804PVX	800	1809	414
ENUX-081805PVX	800	1809	514
ENUX-082005PVX	800	2009	514
ENUX-082006PVX	800	2009	614
ENUX-101805PVX	1000	1809	514
ENUX-101806PVX	1000	1809	614
ENUX-102005PVX	1000	2009	514
ENUX-102006PVX	1000	2009	614

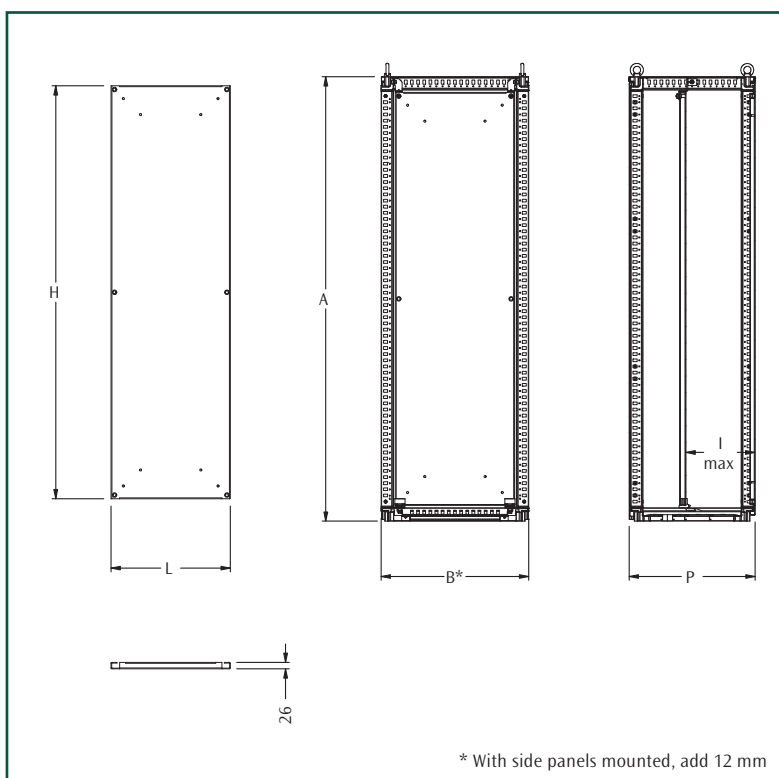
Note: to order a stainless steel enclosure in high grade AISI 316L, add the suffix "H" to the code (i. e.: ENUX-061804PVXH).

FRONT INSERTED MOUNTING PLATE EUPA

CHARACTERISTICS

Manufactured from sendzimir sheet steel:

- thickness 2.5 mm for $L < 1000$
- thickness 3.0 mm for $L \geq 1000$.



MOUNTING PLATE W=600

EUPA CODE	CABINET DIMENSIONS			MOUNTING PLATE DIM.		
	B*	A	P	L	H	I MAX
EUPA-060180	600	1809	414	485	1680	350
EUPA-060180	600	1809	514	485	1680	450
EUPA-060180	600	1809	614	485	1680	550
EUPA-060200	600	2009	414	485	1880	350
EUPA-060200	600	2009	514	485	1880	450
EUPA-060200	600	2009	614	485	1880	550

MOUNTING PLATE W=1000

EUPA CODE	CABINET DIMENSIONS			MOUNTING PLATE DIM.		
	B*	A	P	L	H	I MAX
EUPA-100180	1000	1809	414	885	1680	350
EUPA-100180	1000	1809	514	885	1680	450
EUPA-100180	1000	1809	614	885	1680	550
EUPA-100200	1000	2009	414	885	1880	350
EUPA-100200	1000	2009	514	885	1880	450
EUPA-100200	1000	2009	614	885	1880	550

MOUNTING PLATE W=800

EUPA CODE	CABINET DIMENSIONS			MOUNTING PLATE DIM.		
	B*	A	P	L	H	I MAX
EUPA-080180	800	1809	414	685	1680	350
EUPA-080180	800	1809	514	685	1680	450
EUPA-080180	800	1809	614	685	1680	550
EUPA-080200	800	2009	414	685	1880	350
EUPA-080200	800	2009	514	685	1880	450
EUPA-080200	800	2009	614	685	1880	550

MOUNTING PLATE W=1200

EUPA CODE	CABINET DIMENSIONS			MOUNTING PLATE DIM.		
	B*	A	P	L	H	I MAX
EUPA-120180	1200	1809	414	1085	1680	350
EUPA-120180	1200	1809	514	1085	1680	450
EUPA-120180	1200	1809	614	1085	1680	550
EUPA-120200	1200	2009	414	1085	1880	350
EUPA-120200	1200	2009	514	1085	1880	450
EUPA-120200	1200	2009	614	1085	1880	550

Stainless steel

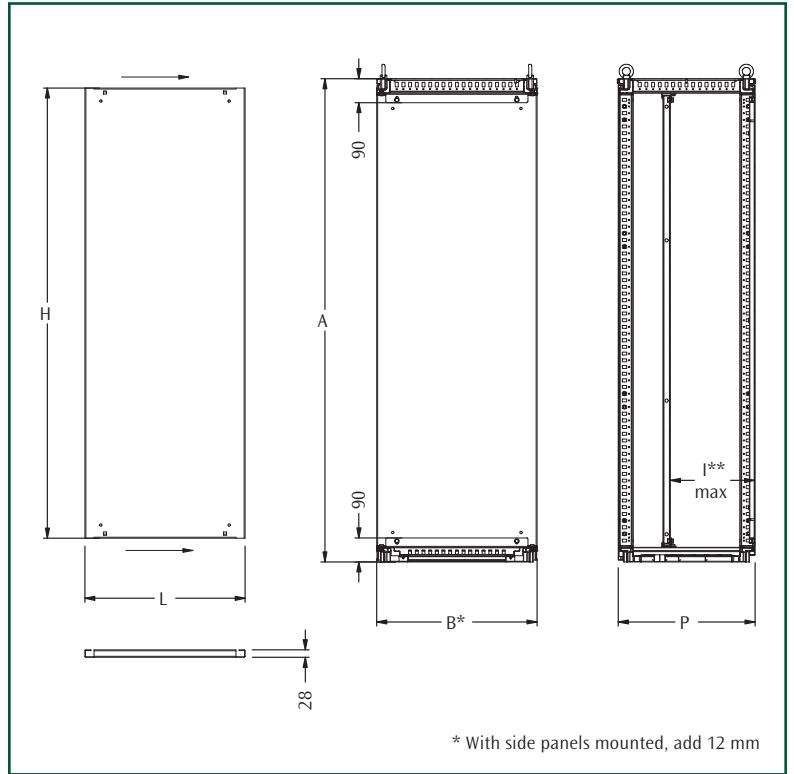
SIDE INSERTED MOUNTING PLATE EUPL

CHARACTERISTICS

Manufactured from 2.5 mm thick sendzimir sheet steel.

SUPPLY

Includes mounting accessories and sliding guides.



Stainless steel

MOUNTING PLATE W=600

EUPL CODE	CABINET DIMENSIONS			MOUNTING PLATE DIM.		
	B*	A	P	L	H	I MAX
EUPL-060180	600	1809	414	600	1685	315
EUPL-060180	600	1809	514	600	1685	415
EUPL-060180	600	1809	614	600	1685	515
EUPL-060200	600	2009	414	600	1885	315
EUPL-060200	600	2009	514	600	1885	415
EUPL-060200	600	2009	614	600	1885	515

MOUNTING PLATE W=1000

EUPL CODE	CABINET DIMENSIONS			MOUNTING PLATE DIM.		
	B*	A	P	L	H	I MAX
EUPL-100180	1000	1809	414	1000	1685	315
EUPL-100180	1000	1809	514	1000	1685	415
EUPL-100180	1000	1809	614	1000	1685	515
EUPL-100200	1000	2009	414	1000	1885	315
EUPL-100200	1000	2009	514	1000	1885	415
EUPL-100200	1000	2009	614	1000	1885	515

MOUNTING PLATE W=800

EUPL CODE	CABINET DIMENSIONS			MOUNTING PLATE DIM.		
	B*	A	P	L	H	I MAX
EUPL-080180	800	1809	414	800	1685	315
EUPL-080180	800	1809	514	800	1685	415
EUPL-080180	800	1809	614	800	1685	515
EUPL-080200	800	2009	414	800	1885	315
EUPL-080200	800	2009	514	800	1885	415
EUPL-080200	800	2009	614	800	1885	515

MOUNTING PLATE W=1200

EUPL CODE	CABINET DIMENSIONS			MOUNTING PLATE DIM.		
	B*	A	P	L	H	I MAX
EUPL-120180	1200	1809	414	1200	1685	315
EUPL-120180	1200	1809	514	1200	1685	415
EUPL-120180	1200	1809	614	1200	1685	515
EUPL-120200	1200	2009	414	1200	1885	315
EUPL-120200	1200	2009	514	1200	1885	415
EUPL-120200	1200	2009	614	1200	1885	515

SIDE PANELS EUFX

CHARACTERISTICS

Manufactured from AISI 304L stainless steel sheet (AISI 316L on request) with rounded folding.

SUPPLY

- two side panels
- rapid fasten couplers
- mounting accessories.

Note: to order the side panels for the mounting of 180° hinges, add the suffix "C" to the code (i.e.: EUFX-040180C).



SIDE PANELS

EUFX CODE	DIMENSIONS	
	HEIGHT	DEPTH
EUFX-040180	1800	400
EUFX-050180	1800	500
EUFX-060180	1800	600
EUFX-050200	2000	500
EUFX-060200	2000	600

Note: to order the item in high grade AISI 316L, add the suffix "H" to the code. (i.e.: EUFX-040180H).

INNER DOOR EUPIX

CHARACTERISTICS

Manufactured from AISI304L stainless steel material (AISI 316L on request) and supplied complete with vertical uprights and horizontal rails.

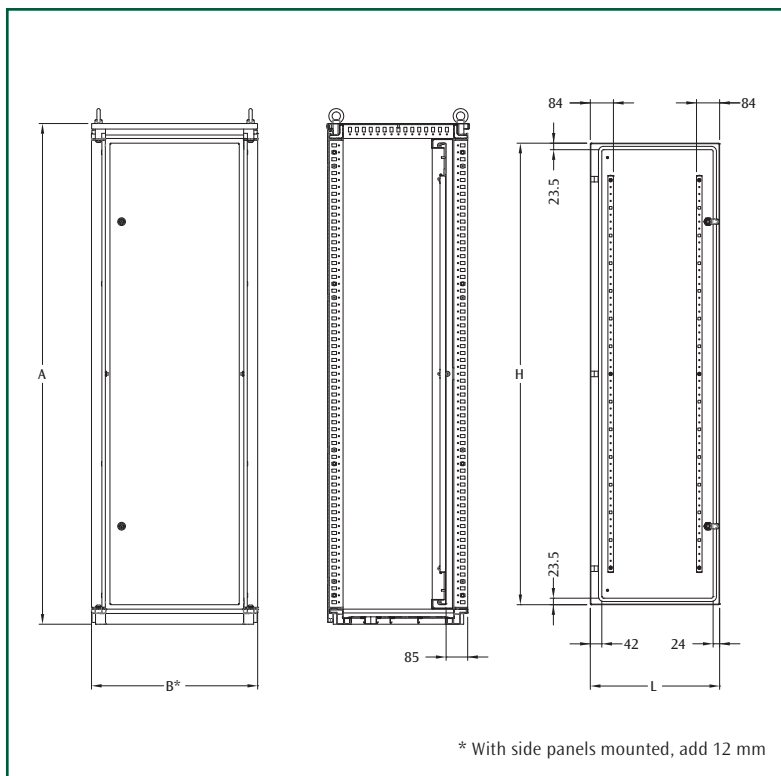
SUPPLY

- door complete with \varnothing 3 mm double bar locking system
- hinges
- vertical uprights and horizontal rails
- mounting accessories.

INNER DOOR

EUPIX CODE	CABINET DIM.		INNER DOOR	
	B*	A	L	H
EUPIX-060180	600	1809	467	1667
EUPIX-060200	600	2009	467	1867
EUPIX-080180	800	1809	667	1667
EUPIX-080200	800	2009	667	1867
EUPIX-100180	1000	1809	867	1667
EUPIX-100200	1000	2009	867	1867

Note: To order the item in high grade AISI 316L, add the suffix "H" to the code. (i.e.: EUPIX-060180H).



Stainless steel



MODULAR PLINTH EUZX

CHARACTERISTICS

Corner pieces manufactured from AISI 304L stainless steel (AISI 316L on request), with front covers made from stainless steel. Front/side crosspieces manufactured from AISI 304L stainless steel (AISI 316L on request).

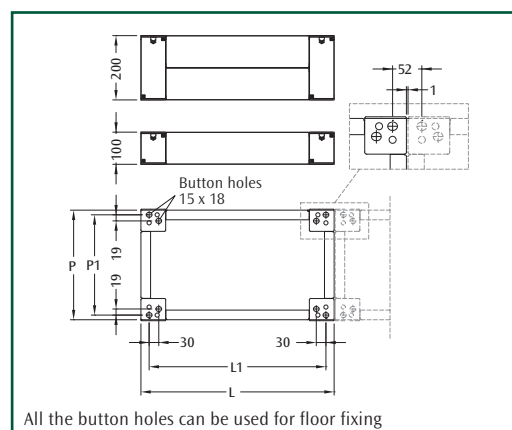
SUPPLY

The modular plinth is made up of:

- corner pieces: supply includes 4 pieces complete with front covers and mounting hardware
- front/rear crosspieces: supply includes 2 pieces
- side crosspieces: supply includes 2 pieces.

Note: to order the item in high grade AISI316L, add the suffix "H" to the code (i.e. EUZX-T0400H).

Note: to order the plinth H=200, add the suffix D to the code (i.e. EUZX-T0400D).



DIMENSIONAL SPECIFICATIONS

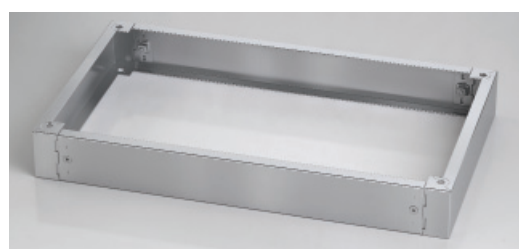
CABINET DIM.		PLINTH DIM.		CENT. DISTANCES	
W	D	L	P	L1	P1
600	400	600	378	549	349
600	500	600	478	549	449
600	600	600	578	549	549
800	400	800	378	749	349
800	500	800	478	749	449
800	600	800	578	749	549
1000	500	1000	478	949	449
1000	600	1000	578	949	549
1200	400	1200	378	1149	349
1200	500	1200	478	1149	449
1200	600	1200	578	1149	549

UNIVERSAL CORNER PIECES

EUZX CODE	DESCRIPTION
EUZX-A100	CORNER PIECES FOR PLINTH H=100
EUZX-A200	CORNER PIECES FOR PLINTH H=200

UNIVERSAL FRONT/SIDE CROSSPIECES

EUZX CODE	DESCRIPTION	CROSS. LENGTH MM
EUZX-T0400	FRONT/SIDE CROSSPIECES FOR PLINTH W=400	244
EUZX-T0500	FRONT/SIDE CROSSPIECES FOR PLINTH W=500	344
EUZX-T0600	FRONT/SIDE CROSSPIECES FOR PLINTH W=600	444
EUZX-T0800	FRONT/SIDE CROSSPIECES FOR PLINTH W=800	644
EUZX-T1000	FRONT/SIDE CROSSPIECES FOR PLINTH W=1000	844
EUZX-T1200	FRONT/SIDE CROSSPIECES FOR PLINTH W=1200	1044



Stainless steel

PLINTH EUZX

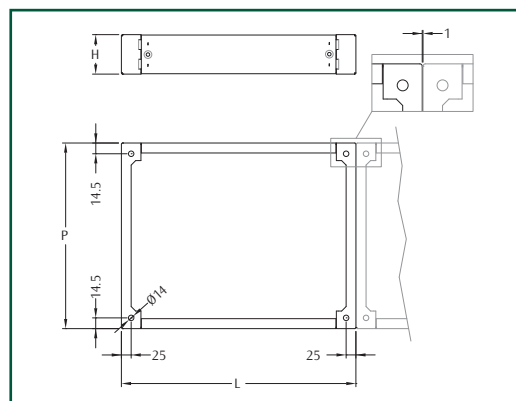
CHARACTERISTICS

Front crosspieces and side crosspieces with integrated corners manufactured from 2.0 mm thick AISI 304L stainless steel (AISI 316L on request).

SUPPLY

The plinth is made up of:

- front crosspieces: supply includes 2 pieces
- side crosspieces with integrated corners: supply includes 2 pieces with mounting screws.



Note: see dimensional specifications above.

Note: to order the plinth H=200mm, order 2 packages of front crosspieces (i.e. Plinth H=200 mm dim. 800x500: 1 x EUZX-P0500D + 2 x EUZX-L0800).

SIDE CROSSPIECES WITH INTEGRATED CORNERS

EUZX CODE	DESCRIPTION	CROSS. H. MM
EUZX-P0400	SIDE CROSSPIECES WITH INTEGRATED CORNERS FOR PLINTH D=400	100
EUZX-P0500	SIDE CROSSPIECES WITH INTEGRATED CORNERS FOR PLINTH D=500	100
EUZX-P0600	SIDE CROSSPIECES WITH INTEGRATED CORNERS FOR PLINTH D=600	100

FRONT CROSSPIECES E NUX

EUZX CODE	DESCRIPTION
EUZX-L0600	FRONT. CROSSPIECES FOR PLINTH W=600
EUZX-L0800	FRONT. CROSSPIECES FOR PLINTH W=800
EUZX-L1000	FRONT. CROSSPIECES FOR PLINTH W=1000
EUZX-L1200	FRONT. CROSSPIECES FOR PLINTH W=1200

Note: to order the item in high grade AISI316L, add the suffix "H" to the code (i.e. EUZX-P0500H).

Note: to order the side crosspieces with integrated corners H=200 mm, add the suffix "D" to the code (i.e. EUZX-P0400D).



180° CHROME HINGES EUCE-180001C

Supply includes 4 pieces (door requires machining to fit).

LEVELLING FEET WTPX-005X

They can be applied on the cabinet structure or plinth. They make easier for floor cleaning and are height adjustable.

SUPPLY

Includes 4 pieces complete with pin in AISI 304L, plastic base, plate and mounting accessories.

(See page 70 for picture).



SHROUD FOR FILTER FANS

Installing a shroud over a filter fan and exhaust filter, the protection degree of the enclosure is maintained.

CHARACTERISTICS

Manufactured from stainless steel AISI 304L.

SUPPLY

Includes 1 piece with mounting accessories.

CONFORMITY AND APPROVAL



PROTECTION RATING

NEMA 3R with fan or filtering grid.

Note: punched panels to be ordered separately.

EYEBOLTS M12 WTGS-001X

M12 lifting eyebolts manufactured from stainless steel.

Supply includes 4 pieces.

(See page 74 for picture).

LIFTING BRACKETS WTSS-001

5 mm zincpassivated sheet steel lifting brackets. Supply includes 4 pieces.

(See page 74 for picture).

SHROUD FOR FILTER FANS		
WTCVX CODE	FAN	FILTER
WTCVX-005	WT300B/WT300VB/WI200B/WI200VB	WT330B
WTCVX-010	WT305B/WT305VB	WT335B
WTCVX-015	WT310B/WT310VB	WT340B

JOINING KIT EUKU-002X

To be used to join two cabinets together. It is better to use lifting brackets WTSS-001 instead of lifting eyebolts.

CHARACTERISTICS

Manufactured from stainless steel AISI 316L.

SUPPLY

Includes union spacers, fixing accessories and gasket to guarantee IP protection degree.

(See page 73 for drawing).



PLAN POCKET

Large size plan manufactured from 1.5 mm thick stainless steel sheet.

SUPPLY

Includes 1 piece complete with mounting screws.

REINFORCING BRACKETS EUKU-003

To be used to grant more rigidity to cabinets joined in a suite.

CHARACTERISTICS

Manufactured from 4.0 mm thick zincpassivated sheet steel.

SUPPLY

Includes 4 pieces with mounting accessories.

(See page 72 for drawing).

PLAN POCKET	
WTSS CODE	DOOR WIDTH
WTSS-000600X	600
WTSS-000800X	800
WTSS-001000X	1000

Stainless steel



CHARACTERISTICS

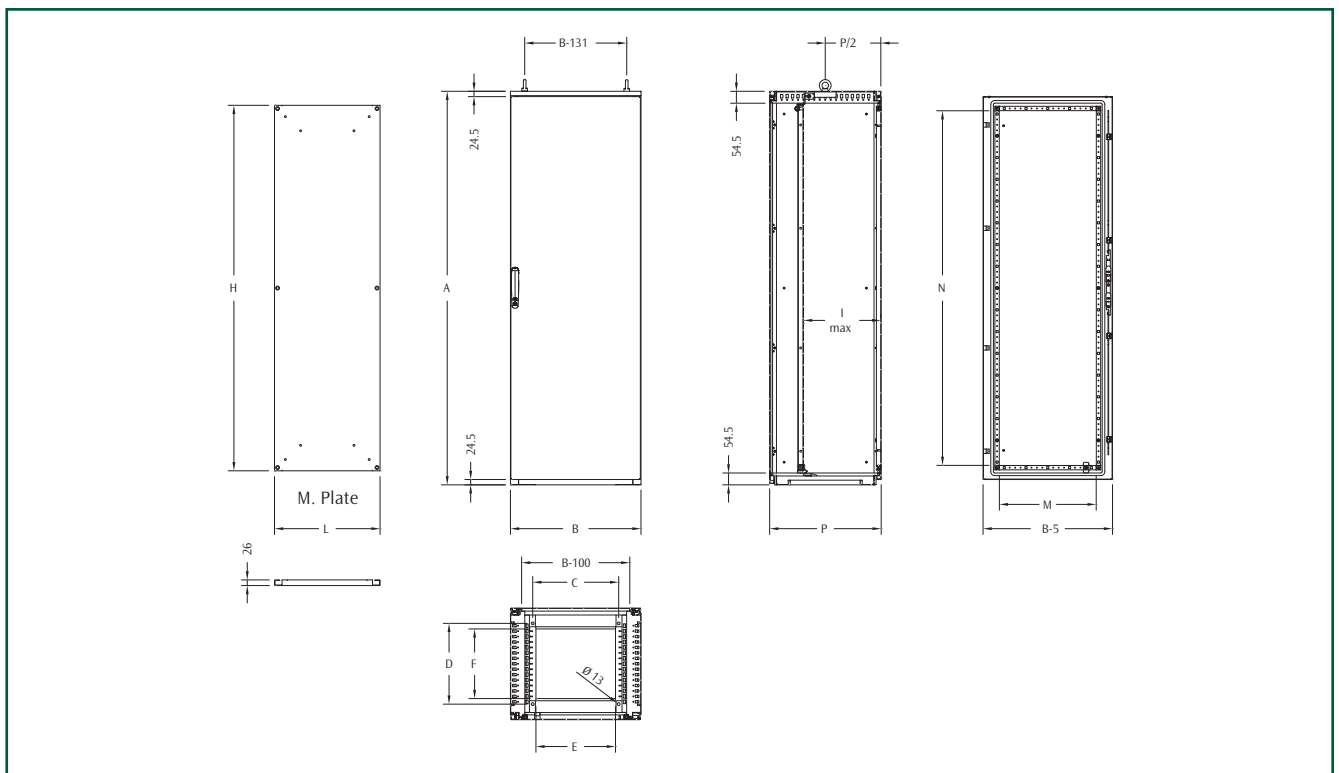
Structure manufactured from 1.5 mm thick AISI304L stainless steel sheet with removable rear panel (AISI 316L on request). Door manufactured from AISI304L stainless steel sheet with stiffening frame (AISI 316L on request). Front inserted mounting plate manufactured from 2.5 mm thick sendzimir sheet steel (for E MOX $W \geq 1000$ mm, EUPA mounting plate 3 mm thick). Hinges in AISI316L stainless steel.

SUPPLY

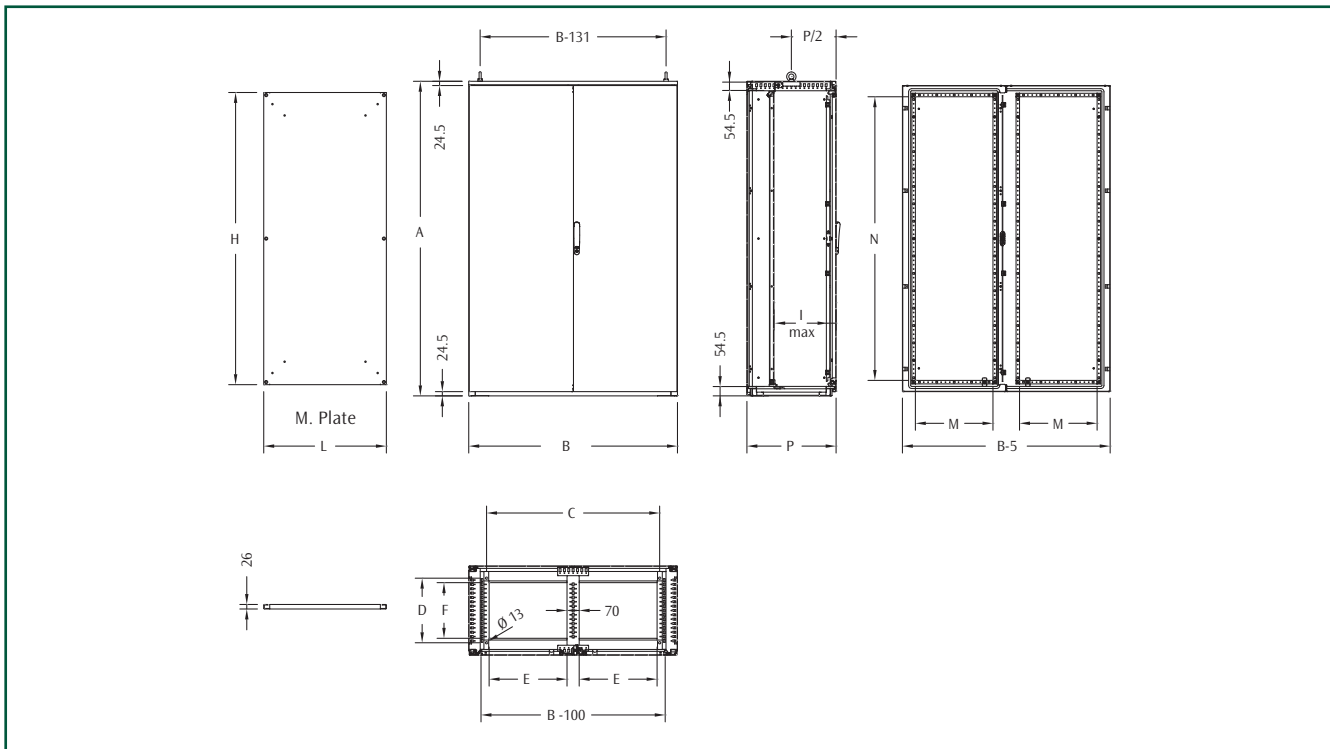
- cabinet structure with upper aesthetic profiles and rear panel
- door with formed corners complete with \varnothing 3 mm lever-operated double bar locking system, silicone seal and tubular stiffening frame
- modular and adjustable cable entry with sealing gasket
- front-inserted mounting plate.

PROTECTION RATING

- IP66 complying with IEC EN62208; EN60529
- NEMA 12 complying with UL508A; UL50
- protection degree guaranteed by the two-component silicone foam seal
- impact resistance IK10 complying with IEC EN62208; EN62202.



Stainless steel



E MOX STAINLESS STEEL WITH SINGLE BLANK DOOR

E MOX CODE	CABINET DIMENSIONS			FLOOR FIXING		CABLE ENTRY		DOOR SPACE		MOUNTING PLATE DIM.		
	B	A	P	C	D	E	F	M	N	L	H	I
EMOX-061604PRX	600	1609	414	550	310	365	220	445	1430	485	1480	350
EMOX-061804PRX	600	1809	414	550	310	365	220	445	1630	485	1680	350
EMOX-061805PRX	600	1809	514	550	410	365	320	445	1630	485	1680	450
EMOX-062004PRX	600	2009	414	550	310	365	220	445	1830	485	1880	350
EMOX-062005PRX	600	2009	514	550	410	365	320	445	1830	485	1880	450
EMOX-081604PRX	800	1609	414	750	310	565	220	645	1430	685	1480	350
EMOX-081804PRX	800	1809	414	750	310	565	220	645	1630	685	1680	350
EMOX-081805PRX	800	1809	514	750	410	565	320	645	1630	685	1680	450
EMOX-082004PRX	800	2009	414	750	310	565	220	645	1830	685	1880	350
EMOX-082005PRX	800	2009	514	750	410	565	320	645	1830	685	1880	450
EMOX-101804PRX	1000	1809	414	950	310	765	220	845	1630	885	1680	350
EMOX-102004PRX	1000	2009	414	950	310	765	220	845	1830	885	1880	350

Stainless steel

Note: to order the item in high grade AISI 316L, add the suffix "H" to the code. (i.e.: EMOX-061604PRXH).

E MOX STAINLESS STEEL WITH DOUBLE BLANK DOOR

E MOX CODE	CABINET DIMENSIONS			FLOOR FIXING		CABLE ENTRY		DOOR SPACE		MOUNTING PLATE DIM.		
	B	A	P	C	D	E	F	M	N	L	H	I
EMOX-121804PRX	1200	1809	414	995	310	447	220	445	1630	1085	1680	350
EMOX-121805PRX	1200	1809	514	995	410	447	320	445	1630	1085	1680	450
EMOX-122004PRX	1200	1809	414	995	310	447	220	445	1830	1085	1880	350

Note: to order the item in high grade AISI 316L, add the suffix "H" to the code. (i.e.: EMOX-121804PRXH).



CHARACTERISTICS

Structure manufactured from 1.5 mm thick AISI304L stainless steel sheet (AISI 316L on request). Door manufactured from 1.5 mm thick AISI304L stainless steel sheet (AISI316L on request). Front inserted mounting plate manufactured from 2.5 mm thick sendzimir sheet steel.

SUPPLY

Enclosure complete with:

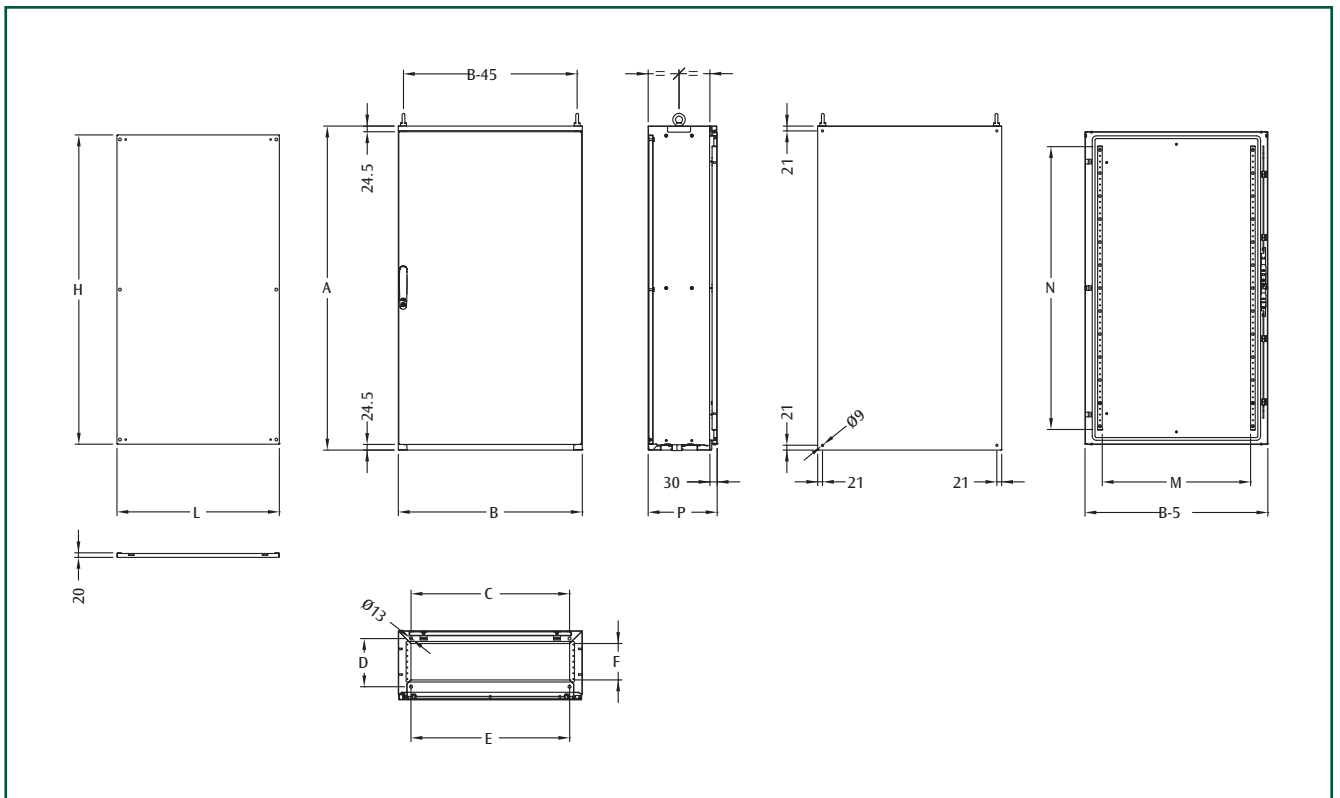
- door with formed corners complete with \varnothing 3 mm lever-operated double bar locking system, 2 stiffening sendzimir profiles and silicone seal
- adjustable cable entry
- front inserted mounting plate.

PROTECTION RATING

- IP55 complying with IEC EN62208; EN60529
- NEMA 12 complying with UL508A; UL50
- protection degree guaranteed by the two-component silicone foam seal
- impact resistance IK10 complying with IEC EN62208; EN62202.

Note: available on request.

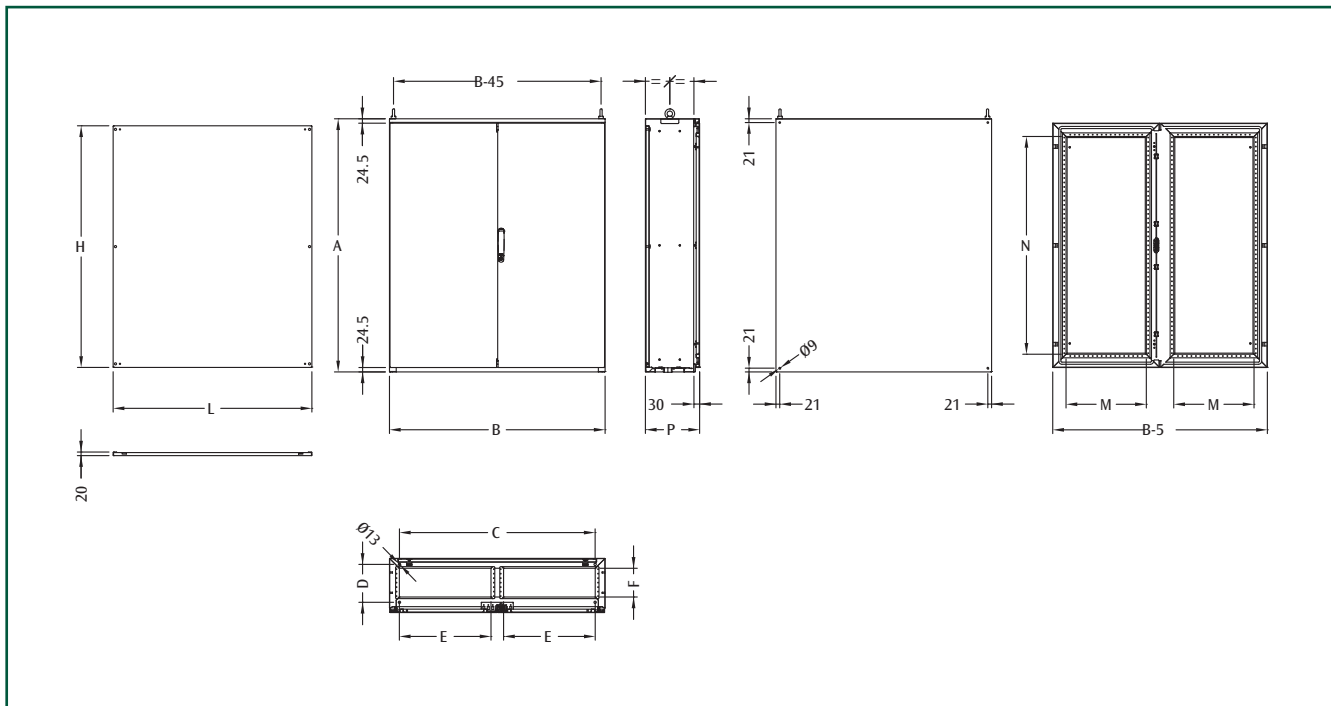
Stainless steel



E COMP STAINLESS STEEL WITH SINGLE DOOR

E COMP CODE	CABINET DIMENSIONS			FLOOR FIXING		CABLE ENTRY		DOOR SPACE		MOUNT. PLATE DIM.	
	B	A	P	C	D	E	F	M	N	L	H
ECOMP6-1240X	600	1209	400	550	320	490	260	445	1030	506	1145
ECOMP6-1430X	600	1409	300	550	220	490	160	445	1230	506	1345
ECOMP6-1440X	600	1409	400	550	320	490	260	445	1230	506	1345
ECOMP8-1240X	800	1209	400	750	320	690	260	645	1030	706	1145
ECOMP8-1430X	800	1409	300	750	220	690	160	645	1230	706	1345
ECOMP8-1440X	800	1409	400	750	320	690	260	645	1230	706	1345

Note: to order the item in high grade AISI 316L, add the suffix "H" to the code. (i.e.: ECOMP6-1240XH).



Stainless steel

E COMP STAINLESS STEEL WITH DOUBLE DOOR

E COMP CODE	CABINET DIMENSIONS			FLOOR FIXING		CABLE ENTRY		DOOR SPACE		MOUNT. PLATE DIM.	
	B	A	P	C	D	E	F	M	N	L	H
ECOMP10-1240X	1000	1209	400	950	320	390	260	345	1030	906	1145
ECOMP10-1430X	1000	1409	300	950	220	390	160	345	1230	906	1345
ECOMP10-1440X	1000	1409	400	950	320	390	260	345	1230	906	1345
ECOMP12-1240X	1200	1209	400	1150	320	490	260	345	1030	1106	1145
ECOMP12-1430X	1200	1409	300	1150	220	490	160	445	1230	1106	1345
ECOMP12-1440X	1200	1409	400	1150	320	490	260	445	1230	1106	1345

Note: to order the item in high grade AISI 316L, add the suffix "H" to the code. (i.e.: ECOMP10-1240XH).

PLINTH EUZX

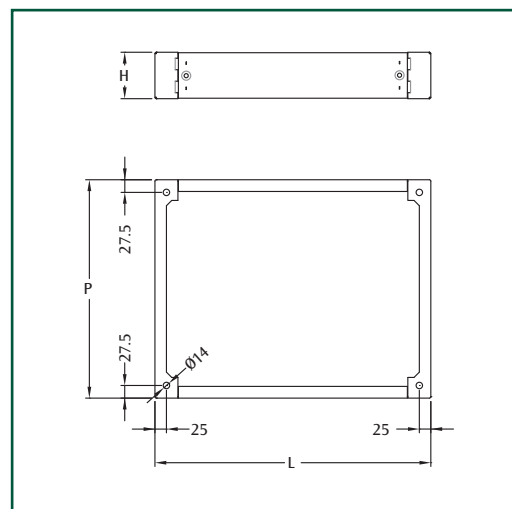
CHARACTERISTICS

Front crosspieces and side crosspieces with integrated corners manufactured from 2.0 mm thick AISI 304L stainless steel (AISI 316L on request).

SUPPLY

The plinth is made up of:

- front crosspieces: supply includes 2 pieces
- side crosspieces with integrated corners: supply includes 2 pieces with mounting screws.



DIMENSIONAL SPECIFICATIONS

CABINET DIMENSIONS		PLINTH DIM.	
WIDTH	DEPTH	L	P
600	400	600	365
600	500	600	465
800	400	800	365
800	500	800	465
1000	400	1000	365
1000	500	1000	465
1200	400	1200	365
1200	500	1200	465

FRONT CROSSPIECES E MOX

EUZX CODE	DESCRIPTION
EUZX-L0600M	FRONT. CROSSPIECES FOR PLINTH W=600
EUZX-L0800M	FRONT. CROSSPIECES FOR PLINTH W=800
EUZX-L1000M	FRONT. CROSSPIECES FOR PLINTH W=1000
EUZX-L1200M	FRONT. CROSSPIECES FOR PLINTH W=1200

Note: to order the plinth H=200mm, order 2 packages of front crosspieces (i.e. Plinth H=200 mm dim. 800 x500: 1 x EUZX-P0500MD + 2 x EUZX-L0800M).

Note: to order the item in higher grade AISI316L, add the suffix "H" to the code (i.e. EUZX-P0500MH).

SIDE CROSSPIECES WITH INTEGRATED CORNERS E MOX

EUZX CODE	DESCRIPTION	CROSS. HEIGHT MM
EUZX-P0400M	SIDE CROSSPIECES WITH INTEGRATED CORNERS FOR PLINTH D=400	100
EUZX-P0400MD	SIDE CROSSPIECES WITH INTEGRATED CORNERS FOR PLINTH D=400	200
EUZX-P0500M	SIDE CROSSPIECES WITH INTEGRATED CORNERS FOR PLINTH D=500	100
EUZX-P0500MD	SIDE CROSSPIECES WITH INTEGRATED CORNERS FOR PLINTH D=500	200

DIMENSIONAL SPECIFICATIONS

CABINET DIMENSIONS		PLINTH DIM.	
WIDTH	DEPTH	L	P
600	300	600	275
600	400	600	375
800	300	800	275
800	400	800	375
1000	300	1000	275
1000	400	1000	375
1200	300	1200	275
1200	400	1200	375

FRONT CROSSPIECES E COMP

EUZX CODE	DESCRIPTION
EUZX-L0600M	FRONT. CROSSPIECES FOR PLINTH W=600
EUZX-L0800M	FRONT. CROSSPIECES FOR PLINTH W=800
EUZX-L1000M	FRONT. CROSSPIECES FOR PLINTH W=1000
EUZX-L1200M	FRONT. CROSSPIECES FOR PLINTH W=1200

Note: to order the plinth H=200 mm, order 2 packages of front crosspieces (i.e. Plinth H=200 mm dim. 600x400: 1 x EUZX-P0400PD + 2 x EUZX-L0600M).

Note: to order the item in higher grade AISI316L, add the suffix "H" to the code (i.e. EUZX-P0500PH).

SIDE CROSSPIECES WITH INTEGRATED CORNERS E COMP

EUZX CODE	DESCRIPTION	CROSS. HEIGHT MM
EUZX-P0300P	SIDE CROSSPIECES WITH INTEGRATED CORNERS FOR PLINTH D=300	100
EUZX-P0300PD	SIDE CROSSPIECES WITH INTEGRATED CORNERS FOR PLINTH D=300	200
EUZX-P0400P	SIDE CROSSPIECES WITH INTEGRATED CORNERS FOR PLINTH D=400	100
EUZX-P0400PD	SIDE CROSSPIECES WITH INTEGRATED CORNERS FOR PLINTH D=400	200



180° HINGES EUCE-180008X

Chrome hinges for 180° opening (door requires machining to fit).

SUPPLY

Includes 3 pieces with mounting screws.



EYEBOLTS WTGS-003

Zincpassivated M12 lifting eyebolts.

SUPPLY

Includes 2 pieces with nuts and washers.

Stainless steel

e mox
STAINLESS STEEL

COMPATIBILITY WITH E NUX SYSTEM AND ETA ACCESSORIES:

- vertical uprights EUMI, see page 99
- rails WTPR H=50 mm
- microswitch WI100
- further ETA accessories for the inner mounting.

e comp
STAINLESS STEEL

WALL MOUNTING BRACKETS SDWCX-010

Manufactured from 2.5 mm thick AISI 316L stainless steel.

SUPPLY

Includes 4 pieces.

FURTHER ACCESSORIES

- vertical rails, see page 108
- fast-fixing brackets WTPR-R, see page 108
- sliding rails CSPP, see page 108.



CHARACTERISTICS

Enclosure and door with formed corners manufactured from 1.5 mm thick pre-satinized AISI 304L stainless steel sheet (AISI 316L on request). Flat mounting plate manufactured from 2.5 mm thick sendzimir sheet steel with slots in the corners. Hinges in stainless steel.

SUPPLY

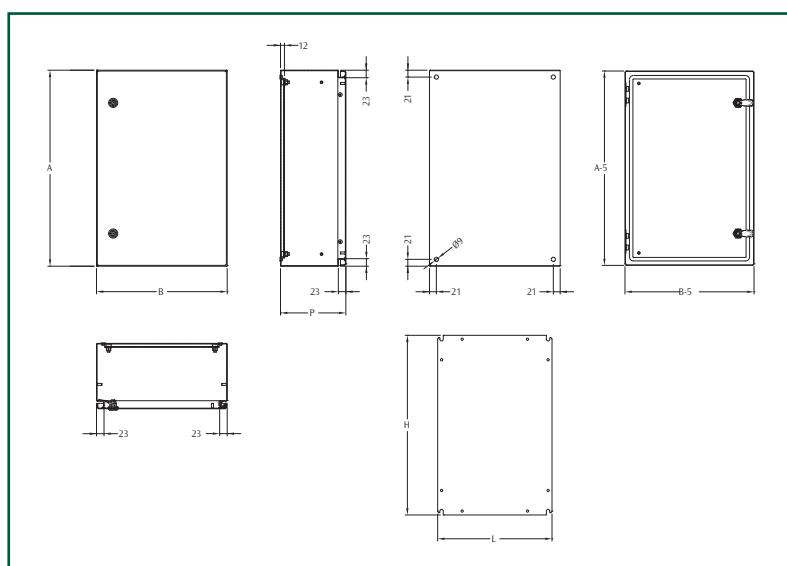
Box complete with:

- mounting plate
- door with locking system body in chromed zinc alloy and lever in stainless steel with \varnothing 3 mm double bar key, and silicone seal
- package with screws for earth connection and mounting plate.

PROTECTION RATING

- IP66 complying with IEC EN62208; EN60529
- NEMA 4X complying with UL508A; UL50
- protection degree guaranteed by the two-component silicone foam seal*
- impact resistance IK10 complying with IEC EN62208; EN62202.

* From size 600x800, box supplied with door rails already mounted.



STAINLESS STEEL BOX WITH SINGLE BLANK DOOR

E COR CODE	BOX DIMENSIONS			MOUNTING PLATE DIM.		NO. OF LOCKS / TYPE
	B	A	P	L	H	
ECOR2-315X	200	300	150	150	250	1
ECOR3-315X	300	300	150	300	300	1
ECOR3-415X	300	400	150	250	350	1
ECOR3-420X	300	400	200	250	350	1
ECOR4-315X	400	300	150	350	250	1
ECOR4-420X	400	400	200	350	350	1
ECOR4-425X	400	400	250	400	400	1
ECOR4-520X	400	500	200	350	450	1
ECOR4-620X	400	600	200	350	550	2
ECOR4-625X	400	600	250	400	600	2
ECOR5-520X	500	500	200	450	450	1
ECOR5-525X	500	500	250	500	500	1
ECOR5-720X	500	700	200	500	700	2
ECOR5-725X	500	700	250	450	650	2
ECOR6-420X	600	400	200	550	350	1
ECOR6-620X	600	600	200	550	550	2
ECOR6-625X	600	600	250	550	550	2
ECOR6-630X	600	600	300	550	550	2
ECOR6-820X	600	800	200	550	750	2
ECOR6-825X	600	800	250	550	750	2
ECOR6-830X	600	800	300	550	750	2
ECOR6-1230X	600	1200	300	550	1150	ROD SYSTEM
ECOR8-830X	800	800	300	750	750	2
ECOR8-1030X	800	1000	300	750	950	2
ECOR8-1230X	800	1200	300	750	1150	ROD SYSTEM

Note: to order the item in high grade AISI 316L, add the suffix "H" to the code. (i.e.: ECOR2-315XH).

CHARACTERISTICS

Enclosure and door with formed corners manufactured from 1.5 mm thick pre-satinized AISI 304L stainless steel sheet (AISI 316L on request). Flat mounting plate manufactured from 2.5 mm thick sendzimir sheet steel provided with slots in the corners. Hinges in stainless steel.

SUPPLY

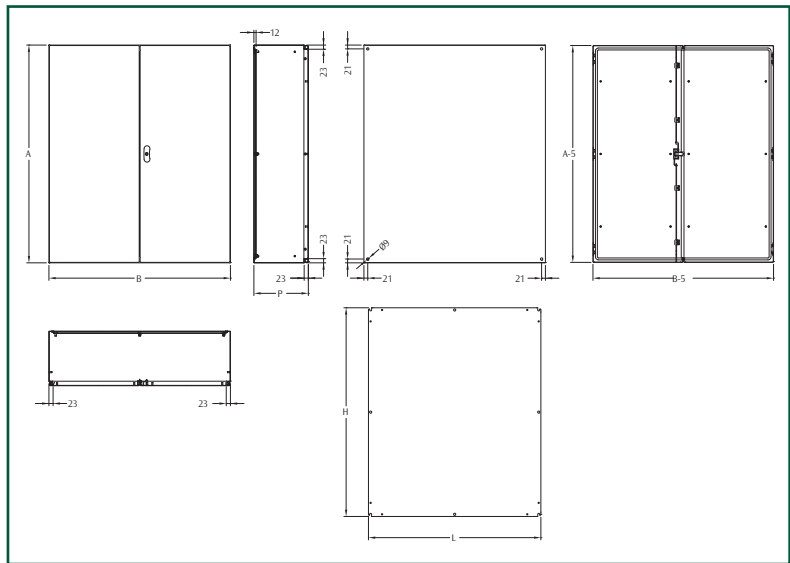
Box complete with:

- mounting plate
- door complete with \varnothing 3 mm double bar locking system and stainless steel lever
- package with screws for earth connection and mounting plate.



PROTECTION RATING

- IP66 complying with IEC EN62208; EN60529
- NEMA 12 complying with UL508A; UL50
- protection degree guaranteed by the two-component silicone foam seal
- impact resistance IK10 complying with IEC EN62208; EN62202.



STAINLESS STEEL BOX WITH DOUBLE BLANK DOOR

E COR CODE	BOX DIMENSIONS			MOUNTING PLATE DIMENSIONS	
	B	A	P	L	H
ECOR10-1030X	1000	1000	300	950	950
ECOR10-1230X	1000	1200	300	950	1150

Note: to order the item in high grade AISI 316L, add the suffix "H" to the code. (i.e.: ECOR10-1030XH).

Stainless steel



The requirements of the enclosures that are intended to be used in explosive atmosphere (ATEX) are high: the wide range of E COR - EEX boxes fully responds to both the standard required by the directive and the need of the market to have a product for increased safety.

CHARACTERISTICS

Structure and door with formed corners manufactured from 1.5 mm thick pre-satinized AISI304L stainless steel sheet (AISI316L on request). Flat mounting plate manufactured from 2.5 mm thick sendzimir sheet steel, with slots in the corners. Hinges in stainless steel. External anti-rotation and anti-slip stud M6 (H=15 mm) in AISI304L stainless steel, welded on the enclosure.

SUPPLY

Enclosure complete with:

- mounting plate
- door with locking system body in zinc alloy and lever in stainless steel with \varnothing 3 mm double bar key
- package with screws for earth connection and mounting plate.

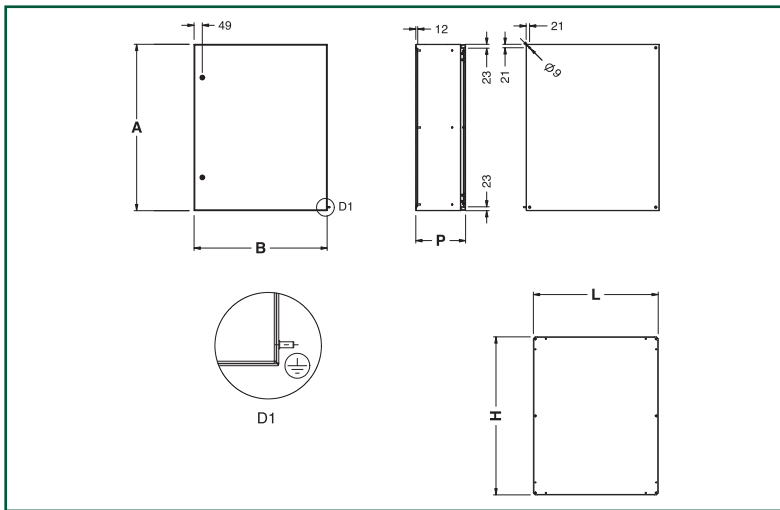
PROTECTION RATING

- IP66 complying with IEC EN62208; EN60529
- NEMA 4X complying with UL508A; UL50
- protection degree guaranteed by the two-component silicone foam seal
- impact resistance IK10 complying with IEC EN62208; EN62202.

CONFORMITY

- Ex II 2GD
- Ex e II T6
- Ex td A21 T85°C.

ETA wall-mounting stainless steel boxes E COR (see page 218) are in compliance with the European Directive 94/9/CE that aims to ensure the free circulation in the EU countries for the products concerned and it is applied to the equipment and protective systems indeed to be used in potentially explosive atmosphere (ATEX), for the presence of flammable substances in the form of gases, vapours, mists or dusts. According to the reference standards EN60079-0; 7 and EN61241-0; 1, boxes E COR - EEX are "electric enclosures" classified for category II and zones 1, 2, 21, 22 for gas and dust (GD) with protection method EX-e, EX-ia. EX-e protection methods are based on the idea of prevention; to comply with that the directive establishes a high structural level and restrictive features of equipments and components, and strict periodic tests of process on the approved products UNI EN13980 and ISO 9001.



ELECTRIC ENCLOSURES

E COR - EEX CODE	BOX DIMENSIONS			MOUNT. PLATE DIM.		NO. OF LOCKS / TYPE
	B	A	P	L	H	
ECOR2-315EEX	200	300	150	150	250	1
ECOR3-415EEX	300	400	150	250	350	1
ECOR3-420EEX	300	400	200	250	350	1
ECOR4-315EEX	400	300	150	350	250	1
ECOR4-420EEX	400	400	200	350	350	1
ECOR4-520EEX	400	500	200	350	450	1
ECOR4-620EEX	400	600	200	350	550	2
ECOR5-520EEX	500	500	200	450	450	1
ECOR5-725EEX	500	700	250	450	750	2
ECOR6-420EEX	600	400	200	550	350	1
ECOR6-620EEX	600	600	200	550	550	2
ECOR6-625EEX	600	600	250	550	550	2
ECOR6-630EEX	600	600	300	550	550	2
ECOR6-820EEX	600	800	200	550	750	2
ECOR6-825EEX	600	800	250	550	750	2
ECOR6-830EEX	600	800	300	550	750	2
ECOR6-1230EEX	600	1200	300	550	1150	ROD SYSTEM
ECOR8-830EEX	800	800	300	750	750	2
ECOR8-1030EEX	800	1000	300	750	950	2
ECOR8-1230EEX	800	1200	300	750	1150	ROD SYSTEM

Note: to order the item in high grade AISI 316L, add the suffix "H" to the code. (i.e.: ECOR6-830EEXH).

WALL MOUNTING BRACKETS SDWCX-010EEX

Special brackets designed for the standard wall-mounting stainless steel boxes E COR, that are already installed on-site and that are requiring compliance with ATEX with increased and intrinsic safety.



CHARACTERISTICS

Manufactured from 2.5 mm thick AISI316L stainless steel sheet.

SUPPLY

Includes 4 standard brackets + 1 bracket with external and welded stud M6.

Note: item available on request.

Stainless steel



* Product AtEx: Contact the ETA commercial office for boxes with tempered glass



CHARACTERISTICS

Enclosure manufactured from 1.5 mm thick pre-patinized AISI 304L stainless steel sheet (AISI 316L on request). Plexi door with formed corners, silicone seal and 4.0 mm thick plexiglass (fixed with a frame). Flat mounting plate manufactured from 2.5 mm thick sendzimir sheet steel with slots in the corners. Hinges in stainless steel.

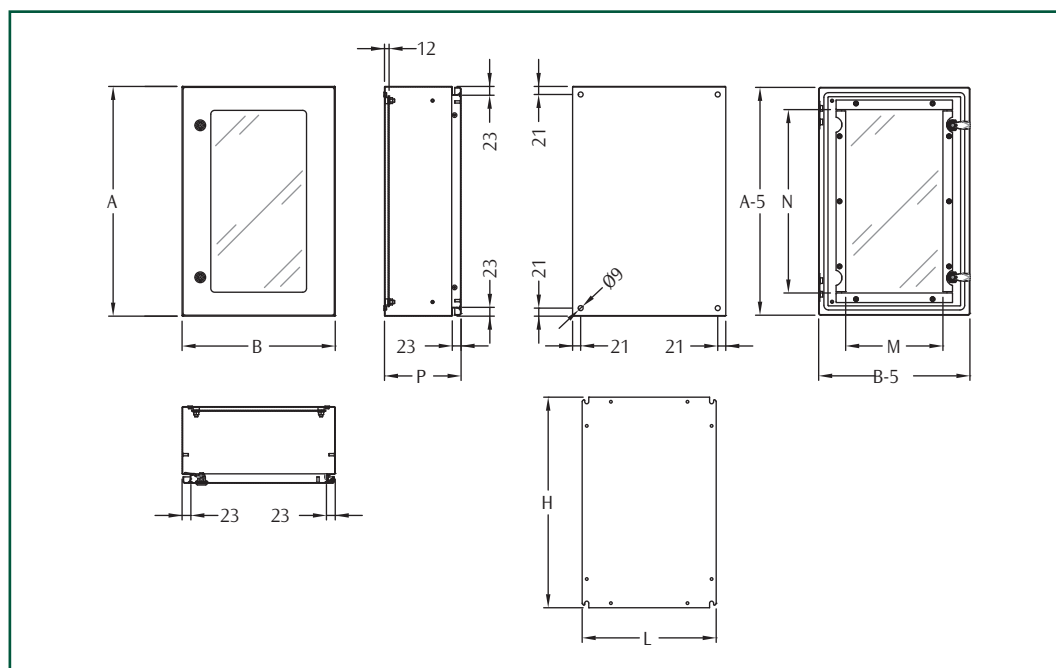
SUPPLY

- Box complete with:
- mounting plate
 - door with locking system body in zinc alloy and lever in stainless steel with \varnothing 3 mm double bar key, and silicone seal
 - package with screws for earth connection and mounting plate.

PROTECTION RATING

- IP66 complying with IEC EN62208; EN60529
- NEMA 12 complying with UL508A; UL50
- protection degree guaranteed by the two-component silicone foam seal.
- impact resistance IK10 complying with IEC EN62208; EN62202.

Note: product ATEX: contact the ETA commercial office for E COR boxes with tempered glass



Stainless steel

STAINLESS STEEL BOX WITH PLEXI DOOR

E COR CODE	BOX DIMENSIONS			DOOR SPACE		MOUNTING PLATE DIM.		NUMBER OF LOCKS
	B	A	P	M	N	L	H	
ECOR3-420PVX	300	400	200	150	275	250	350	1
ECOR4-520PVX	400	500	200	250	375	350	450	1
ECOR4-620PVX	400	600	200	250	475	350	550	2
ECOR5-725PVX	500	700	250	350	575	450	650	2
ECOR6-820PVX	600	800	200	450	675	550	750	2
ECOR6-825PVX	600	800	250	450	675	550	750	2
ECOR8-1030PVX	600	800	250	450	675	550	750	2

Note: to order the item in high grade AISI 316L, add the suffix "H" to the code. (i.e.: ECOR4-620PVXH).

FUNCTIONAL FRAME ECMI

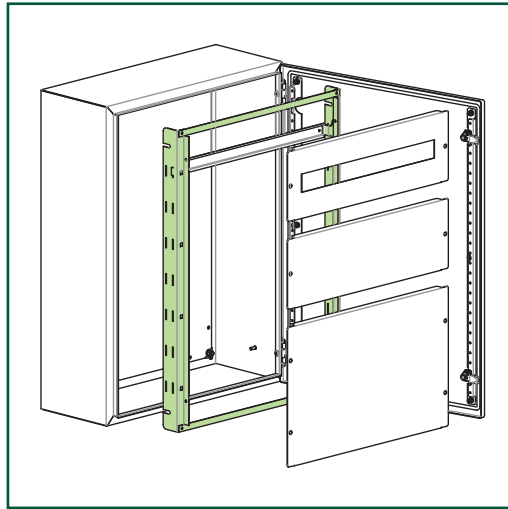
CHARACTERISTICS

Internal frame for the assembly of modular panels and DIN rails. Manufactured from 1.5 mm thick stainless steel sheet AISI304L (on request AISI316L).

SUPPLY

Includes 1 piece with mounting accessories.

* For boxes with D=150 mm, the functional frame is not used



FUNCTIONAL FRAME

ECMI CODE	DIMENSIONS		DESCRIPTION
	WIDTH	HEIGHT	
ECMI-040060X	400	600	3 rows for 14 DIN modules
ECMI-060080X	600	800	4 rows for 14 DIN modules
ECMI-080100X	800	1000	5 rows for 14 DIN modules

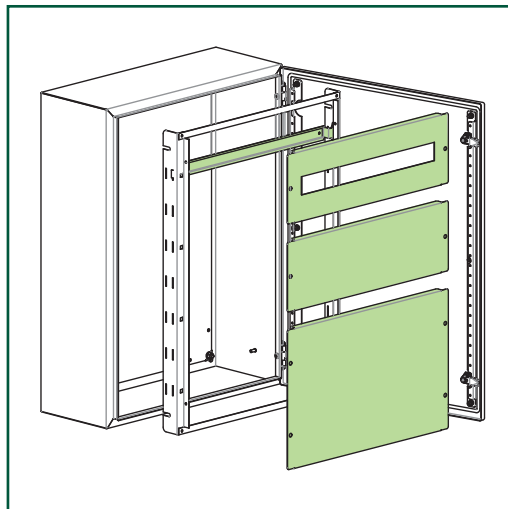
MODULAR PANELS ECPM/ECAV

CHARACTERISTICS

Modular panels manufactured from 1.5 mm thick stainless steel sheet AISI304L (AISI 316L on request). Available in blank version or for DIN rail, they can be easily mounted on E COR boxes using the functional frame ECMI.

SUPPLY

Includes 1 piece with mounting accessories (ECPM panel including 2 brackets and DIN rail).



Stainless steel

MODULAR PANELS FOR DIN RAILS*

ECPM CODE	DIMENSIONS		NO. OF MODULES
	WIDTH	HEIGHT	
ECPM-040180X	400	180	14
ECPM-060180X	600	180	25
ECPM-080180X	800	180	36

* DIN rails and brackets included

MODULAR BLANK PANELS

ECAV CODE	DIMENSIONS	
	WIDTH	HEIGHT
ECAV-040180X	400	180
ECAV-060180X	600	180
ECAV-060360X	600	360
ECAV-080180X	800	180
ECAV-080360X	800	360

DIN RAIL WITH BRACKETS

ECDI CODE	DIMENSIONS		NO. OF MODULES
	WIDTH	HEIGHT	
ECDI-014040	400	140	14
ECDI-025060	600	250	25
ECDI-036080	800	360	36

INNER DOOR ECPO

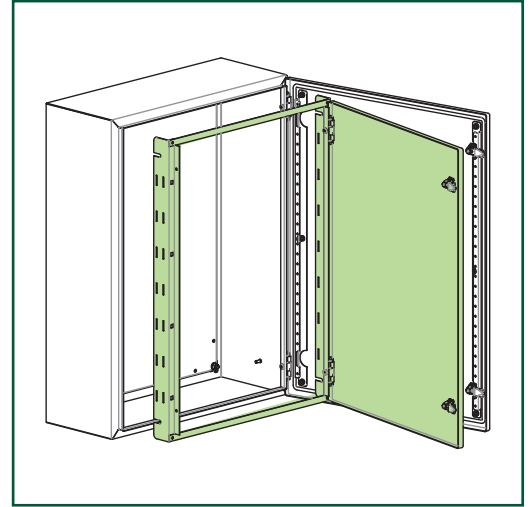
CHARACTERISTICS

Manufactured from 1.5 stainless steel sheet AISI304L (on request AISI316L).

SUPPLY

Includes 1 piece with ECMI frame, hinges, closing systems and screws.

INNER DOOR		
ECPO CODE	DIMENSIONS	
	WIDTH	HEIGHT
ECPO1-34X	300	400
ECPO1-45X	400	500
ECPO1-46X	400	600
ECPO1-57X	500	700
ECPO1-68X	600	800
ECPO1-810X	800	1000



LOCK WE001X

For food industry or special applications in harsh environments where high hygienic standards are required, a specific locking system is available.



Stainless steel

RAIN CANOPY ECTT

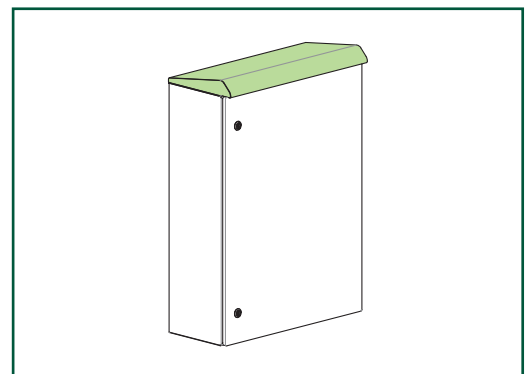
Particularly suitable for outdoor installations where it is required an additional protection against atmospheric agents.

CHARACTERISTICS

Manufactured from 1.5 mm thick AISI 304L stainless steel sheet (AISI 316L available on request).

SUPPLY

Includes 1 piece with mounting accessories.



CANOPY		
ECTT CODE	DIMENSIONS	
	WIDTH	HEIGHT
ECTT1-04X	400	200
ECTT1-05X	500	200
ECTT2-05X	500	250
ECTT1-06X	600	250
ECTT2-08X	800	300

PLINTH EUZX

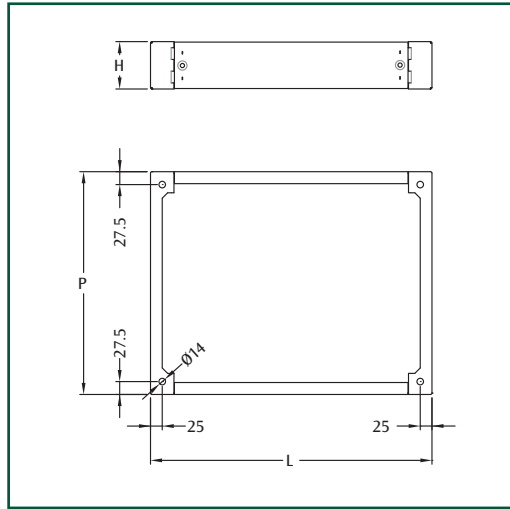
CHARACTERISTICS

Front crosspieces and side crosspieces with integrated corners manufactured from 2.0 mm thick AISI 304L stainless steel (AISI 316L on request).

SUPPLY

The plinth is made up of:

- front crosspieces: supply includes 2 pieces
- side crosspieces with integrated corners: supply includes 2 pieces with mounting screws.



DIMENSIONAL SPECIFICATIONS

BOX DIMENSIONS		PLINTH DIM.	
L	P	L	P
600	300	600	275
800	300	800	275
1000	300	1000	275

SIDE CROSSPIECES WITH INTEGRATED CORNERS E COR

EUZX CODE	DESCRIPTION	CROSS. HEIGHT
		MM
EUZX-P0300P	SIDE CROSSPIECES WITH INTEGRATED CORNERS FOR PLINTH D=300	100
EUZX-P0300PD	SIDE CROSSPIECES WITH INTEGRATED CORNERS FOR PLINTH D=300	200

FRONT CROSSPIECES E COR

EUZX CODE	DESCRIPTION
EUZX-L0600M	FRONT CROSSPIECES FOR PLINTH W=600
EUZX-L0800M	FRONT CROSSPIECES FOR PLINTH W=800
EUZX-L1000M	FRONT CROSSPIECES FOR PLINTH W=1000

Note: to order the plinth H=200 mm, order 2 packages of front crosspieces (i.e. Plinth H=200 mm dim. 600x300: 1 x EUZX-P0300PD + 2 x EUZX-L0600M).

Note: to order the item in higher grade AISI316L, add the suffix "H" to the code (i.e. EUZX-P0400PH).

WALL MOUNTING BRACKETS SDWCX-010

Manufactured from 2.5 mm thick AISI316L stainless steel.

SUPPLY

Includes 4 pieces.

Note: SDWCX-010EEX brackets available for compliance with ATEX (with intrinsic and increased safety).



Stainless steel

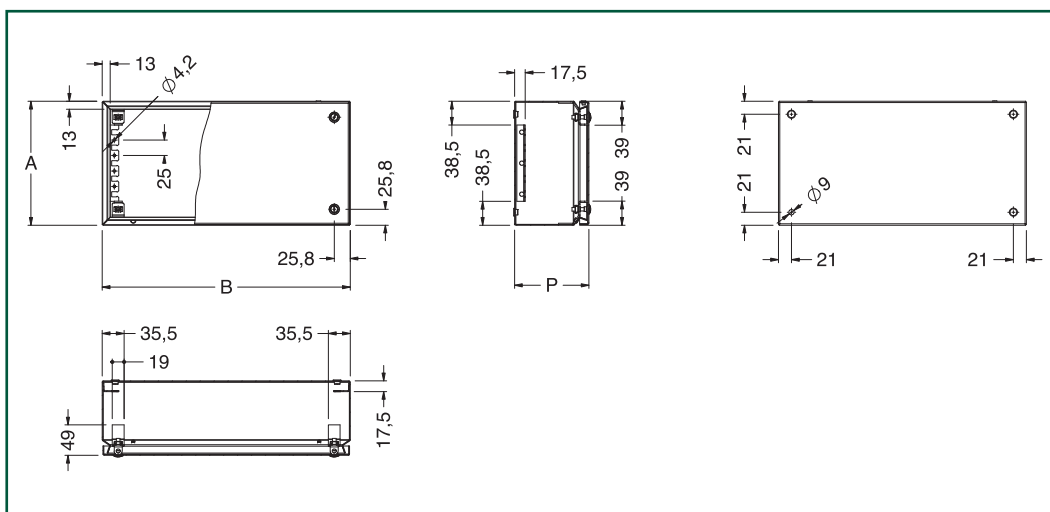


CHARACTERISTICS

Boxes and door manufactured from 1.2 mm thick AISI 304L stainless steel sheet (AISI 316L on request). Lid provided with stainless steel captive screws, silicone seal and formed corners for improved aesthetics.

PROTECTION RATING

- P66 / IP69K complying with IEC EN62208; EN60529
- NEMA 4X complying with UL508A; UL50
- protection degree guaranteed by the two-component silicone foam seal
- impact resistance IK10 complying with IEC EN62208; EN62202.



STAINLESS STEEL TERMINAL BOXES

E GRAN CODE	BOX DIMENSIONS		
	B	A	P
EGRAN1-108X	150	150	80
EGRAN2-208X	200	200	80
EGRAN3-208X	300	200	80
EGRAN1-112X	150	150	120
EGRAN4-212X	400	200	120
EGRAN3-312X	300	300	120

Note: to be ordered separately: mounting plate and/or DIN rails (for DIN rails see page 179).

Note: to order the item in high grade AISI 316L, add the suffix "H" to the code. (i.e.: EGRAN1-108XH).

MOUNTING PLATE SDPA

Manufactured from 2 mm thick sendzimir sheet steel.

SUPPLY

Includes 1 piece.



MOUNTING PLATE				
SDPA CODE	BOX DIMENSIONS		B	A
	WIDTH	HEIGHT		
SDPA-11	150	150	140	140
SDPA-22	200	200	176	170
SDPA-32	300	200	276	170
SDPA-33	300	300	276	270
SDPA-42	400	200	376	170



CHARACTERISTICS

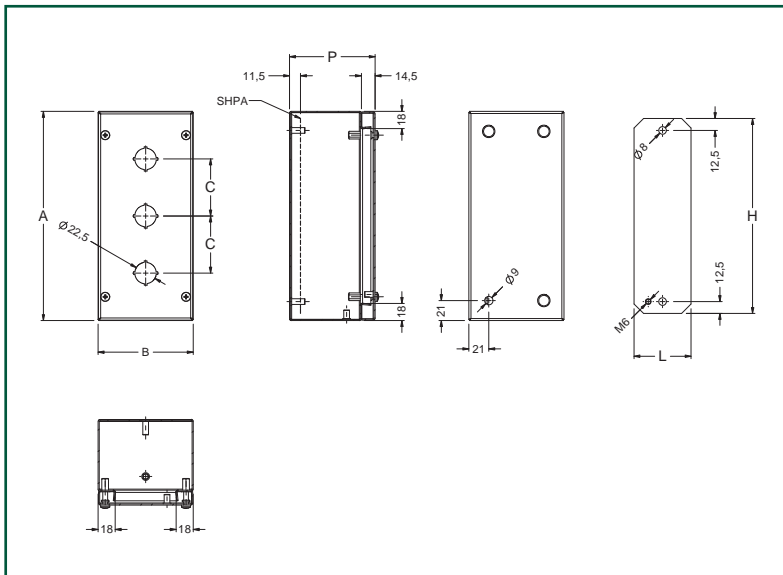
Structure and lid manufactured from 1.2 mm thick satin AISI304L stainless steel sheet.
 Lid fixed in four points (placed outside the gasket) with captive screw and available in 2 versions: punched for the fixation of push buttons \varnothing 22.5 mm or blank. Wall-mounting from the inner part of the box or from the external part with fixing brackets.

PROTECTION RATING

- IP66 / IP69K complying with IEC EN62208; EN60529
- NEMA 4X complying with UL508A; UL50
- impact resistance IK10 complying with IEC EN62208; EN62202.

Note: to be ordered separately: mounting plate and/or DIN profiles (for DIN profile see page 179).

Note: to order the item in high grade AISI 316L, add the suffix "H" to the code (i.e.: SHX1-109FH).



PUSHBUTTON WITH PUNCHED LID

SHX CODE	DESCRIPTION			HOLES \varnothing 22,5 MM	
	B	A	P	C	N
SHX1-109F	100	100	90	-	1
SHX1-169F	100	160	90	60	2
SHX1-229F	100	220	90	60	3
SHX1-289F	100	280	90	60	4

PUSHBUTTON WITH BLANK LID

SHX CODE	DESCRIPTION		
	B	A	P
SHX1-109C	100	100	90
SHX1-169C	100	160	90
SHX1-229C	100	220	90
SHX1-289C	100	280	90

Stainless steel

MOUNTING PLATE SHPA

CHARACTERISTICS

Manufactured from 2.0 mm thick sendzimir sheet steel.

SUPPLY

Includes 1 piece.

MOUNTING PLATE

PUSHBUTTON CODE	MOUNT. PLATE CODE	DIMENSIONS	
		L	H
SHX1-109F	-	-	-
SHX1-169F	SHPA-16	60	145
SHX1-229F	SHPA-22	60	205
SHX1-289F	SHPA-28	60	265

WALL MOUNTING BRACKETS SHWCX-010

CHARACTERISTICS

Manufactured from 2.5 mm thick stainless steel sheet.

SUPPLY

Includes 4 pieces.



CHARACTERISTICS

Enclosure and door manufactured from 1.5 mm thick AISI 304L stainless steel sheet (AISI 316L upon request). Mounting plate manufactured from 2.5 mm thick sendzimir sheet steel. Stainless steel hinges.

SUPPLY

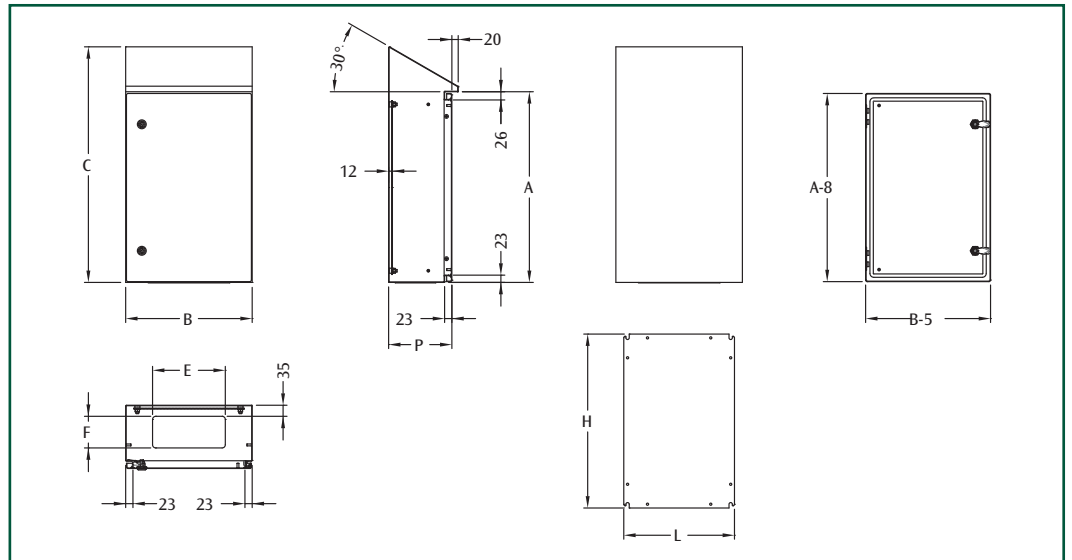
The enclosure is supplied with:

- mounting plate
- door with locking system body in chromed zinc alloy and lever in stainless steel with \varnothing 3 mm double bar key
- set of screws for grounding and mounting plate assembling
- cable entry plate.

PROTECTION RATING

- P66 / IP69K complying with IEC EN62208; EN60529
- NEMA 4X complying with UL508A; UL50
- impact resistance IK10 complying with IEC EN62208; EN62202.

Note: available upon request.



STAINLESS STEEL BOXES WITH SLOPED ROOF

E COR CODE	BOX DIMENSIONS				CABLE ENTRY		MOUNTING PLATE		NO. OF LOCKS / TYPE
	B	A	P	C	E	F	L	H	
ECOR4-515TX	400	503	150	617	230	50	350	450	1
ECOR4-620TX	400	603	200	745	230	100	350	550	2
ECOR5-730TX	500	703	300	903	330	100	450	650	2
ECOR6-825TX	600	803	250	974	530	100	550	750	2
ECOR8-1025TX	800	1003	250	1174	530	100	750	950	2
ECOR8-1030TX	800	1003	300	1203	530	100	750	950	2
ECOR8-1230TX	800	1203	300	1403	530	100	750	1150	ROD SYSTEM

Note: to order the item in AISI 316L, add the suffix "H" to the code (i.e.: ECOR6-825TXH).



CHARACTERISTICS

Enclosure manufactured from 1.5 mm thick AISI 304L press bent stainless steel material. Mounting plate manufactured from 2.5 mm thick sendzimir sheet steel mounted on the rear cover. Upper cover manufactured from 1.5 mm thick AISI 304L material with sendzimir profiles and mechanical stop. Adjustable cable entry. Item in AISI 316L available on request.

SUPPLY

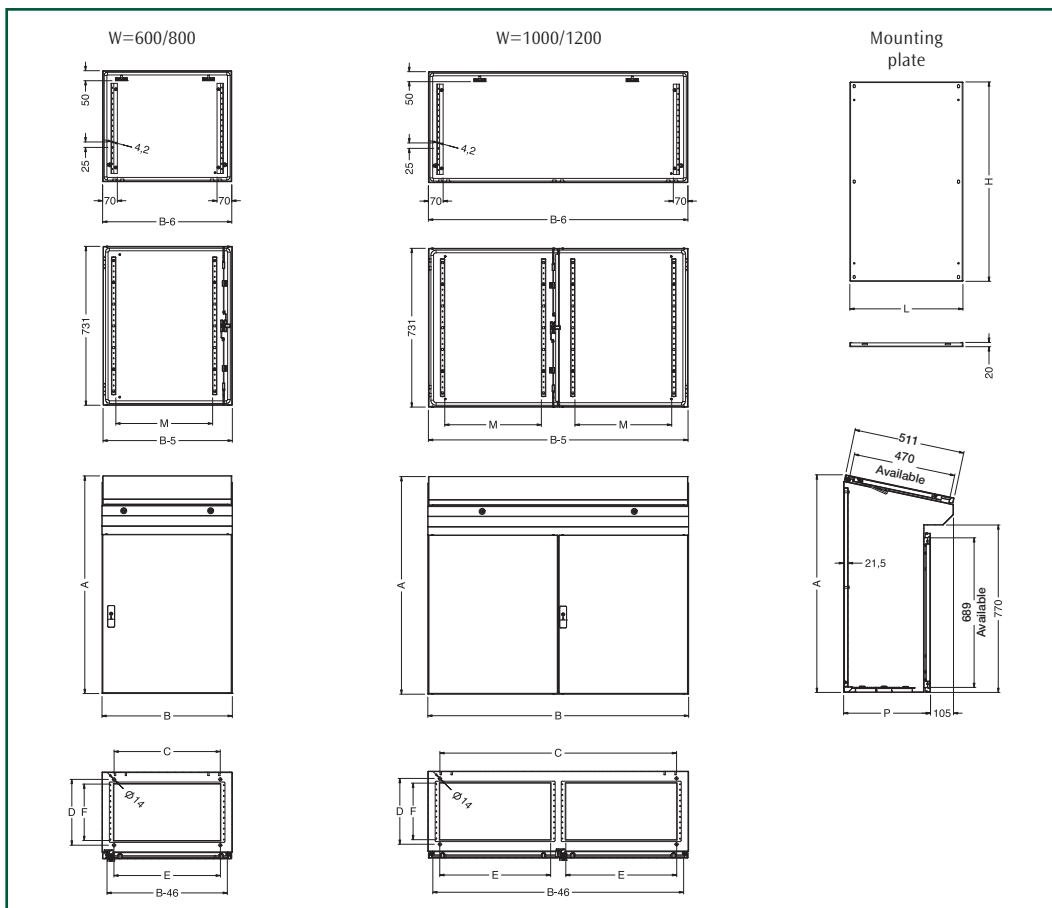
- control desk
- doors complete with \varnothing 3 mm double bar key locking system
- mounting plate
- upper cover complete with locking system
- adjustable cable entry.

PROTECTION RATING

- IP55
- NEMA 12 complying with UL508A; UL50.

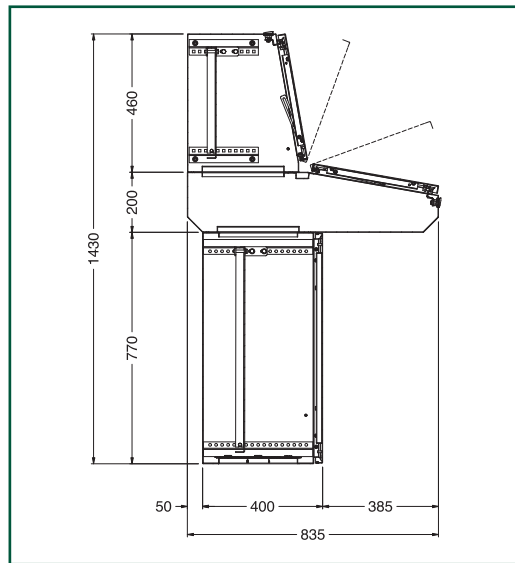
STAINLESS STEEL CONTROL DESKS

ZBX CODE	DIMENSIONS			FLOOR FIXING		CABLE ENTRY		DOOR SPACE	MOUNTING PLATE	
	B	A	P	C	D	E	F	M	L	H
ZBX6-01	600	1000	400	550	310	490	260	445	520	918
ZBX8-01	800	1000	400	750	310	690	260	645	720	918
ZBX0-01	1000	1000	400	950	310	410 (x2)	260	345	920	918
ZBX2-01	1200	1000	400	1150	310	510 (x2)	260	445	1120	918



Note: to order the item in high grade AISI 316L, add the suffix "H" to the code. (i.e.: ZBX6-01H).

Stainless steel



BOX AEX



CHARACTERISTICS

Enclosure manufactured from 1.5 mm thick AISI 304L press bent stainless steel sheet. Mounting plate manufactured from 2.5 mm thick sendzimir sheet steel. Door manufactured from 1.5 mm thick AISI 304L stainless steel sheet with lateral stiffening cover. Item in AISI 316L available on request.

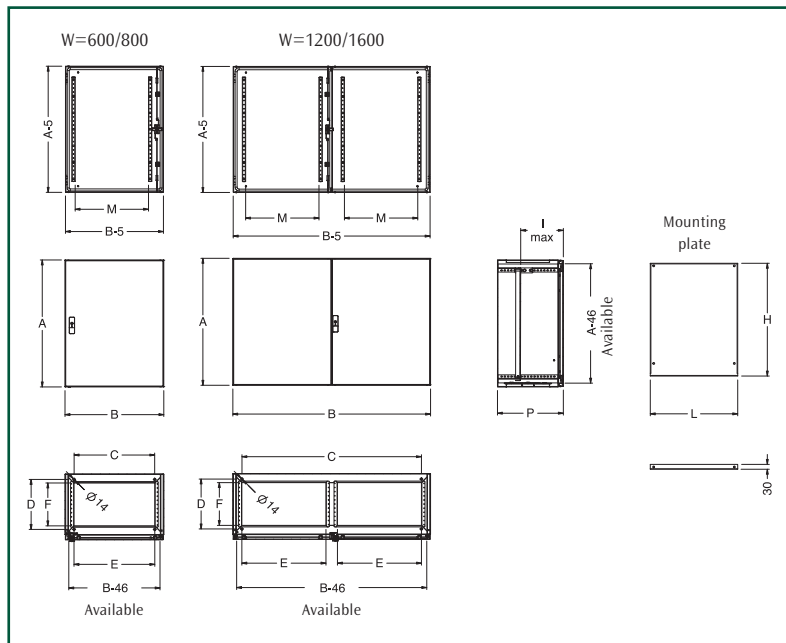
SUPPLY

Box includes:

- door complete with \varnothing 3 mm double bar closing system
- mounting plate
- adjustable cable entry.

PROTECTION RATING

- IP55
- NEMA 12 complying with UL508A; UL50.



Stainless steel

STAINLESS STEEL BOX

AEX CODE	DIMENSIONS			FLOOR FIXING		CABLE ENTRY		DOOR SPACE	MOUNTING PLATE		
	B	A	P	C	D	E	F	M	L	H	I MAX
AEX6-01	600	770	400	550	310	500	270	445	530	684	358
AEX8-02	800	770	400	750	310	700	270	645	730	684	358
AEX1-23	1200	770	400	950	310	515 (x2)	270	445	1130	684	358
AEX1-64	1600	770	400	1150	310	715 (x2)	270	645	1530	684	358

Note: to order the item in high grade AISI 316L, add the suffix "H" to the code (i.e.: AEX6-01H).

SHELF LEX



CHARACTERISTICS

Structure manufactured from 1.5 mm thick AISI 304L press bent stainless steel sheet. Upper panel manufactured from 2.0 mm thick AISI 304L stainless steel sheet with sendzimir rails and gas springs to support lid and avoid accidental closing. Item in AISI 316L available on request.

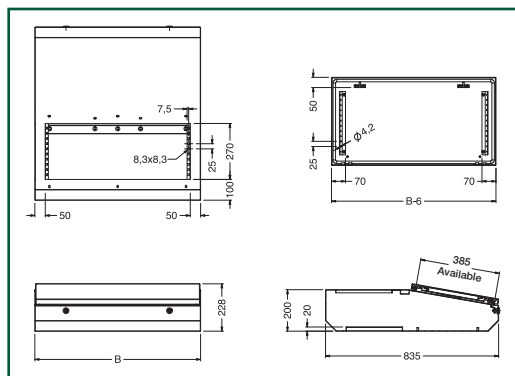
SUPPLY

Shelf includes:

- lid complete with \varnothing 3 mm double bar closing system
- rails to mount supplementary mounting plate
- sealing gasket
- mounting accessories.

PROTECTION RATING

IP55.



UPPER PART PEX



CHARACTERISTICS

Structure manufactured from 1.5 mm thick AISI 304L press bent stainless steel sheet. Mounting plate manufactured from 2.5 mm thick sendzimir sheet steel with 2.0 mm zincpassivated rails for mounting plate adjustment. Hinged front panel manufactured from 2.0 mm AISI 304L stainless steel sheet complete with sendzimir vertical rails and mechanical stop. Item in AISI 316L available on request.

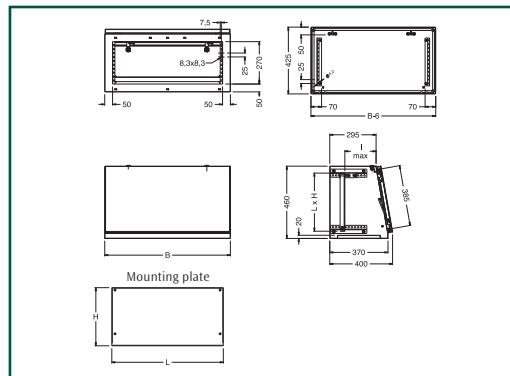
SUPPLY

Upper part includes:

- hinged front cover with \varnothing 3 mm double bar locking system
- mounting plate
- sealing gasket
- mounting accessories.

PROTECTION RATING

IP55.



STAINLESS STEEL SHELF

LEX CODE	B	NUMBER OF LOCKS
LEX6-01	600	2
LEX8-02	800	2
LEX1-23	1200	2
LEX1-64	1600	3

Note: to order the item in high grade AISI 316L, add the suffix "H" to the code (i.e.: LEX6-01H).

STAINLESS STEEL UPPER PART

PEX CODE	B	MOUNTING PLATE DIM.		
		L	H	I MAX
PEX6-01	600	510	370	250
PEX8-02	800	710	370	250
PEX1-23	1200	1110	370	250
PEX1-64	1600	1510	370	250

Note: to order the item in high grade AISI 316L, add the suffix "H" to the code (i.e.: PEX6-01H).

Stainless steel

SHELF MEX



CHARACTERISTICS

Structure manufactured from 1.5 mm thick AISI 304L press bent stainless steel sheet. Upper panel manufactured from 2.0 mm thick AISI 304L material with sendzimir rails and gas springs to support lid and avoid accidental closing. Item in AISI 316L available on request.

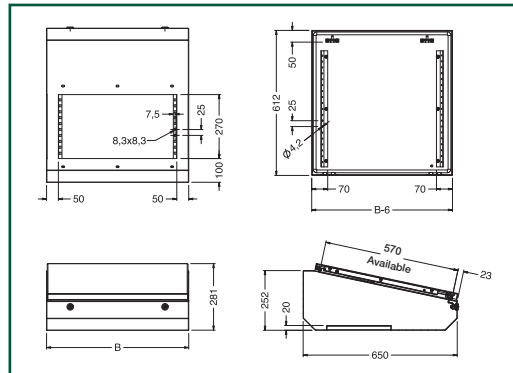
SUPPLY

Shelf includes:

- lid complete with \varnothing 3 mm double bar closing system
- sealing gasket
- mounting accessories.

PROTECTION RATING

- IP55
- NEMA 12 complying with UL508A; UL50.



STAINLESS STEEL SHELF

MEX CODE	B	NUMBER OF LOCKS
MEX6-01	600	2
MEX8-02	800	2
MEX1-23	1200	2
MEX1-64	1600	3

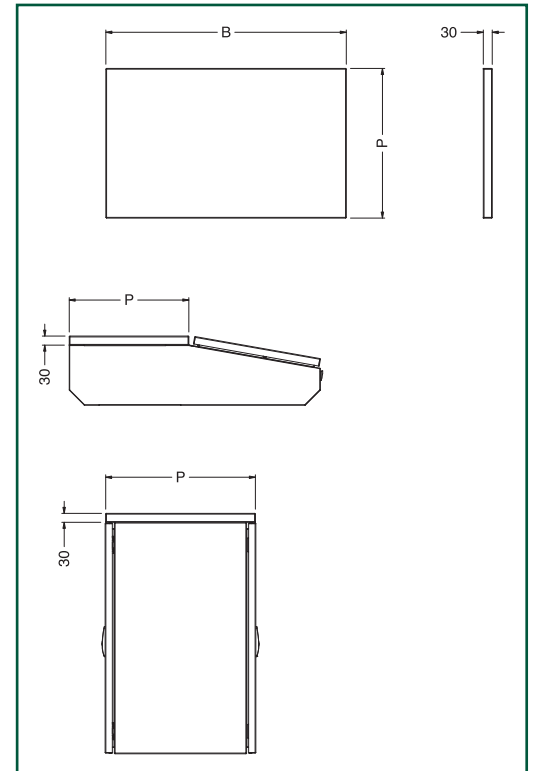
Note: to order the item in AISI 316L, add the suffix "H" to the code (i.e.: MEX6-01H).

COVER TLX

Manufactured from 1.5 mm thick AISI 304L stainless steel sheet (AISI 316L on request). To be used as top cover of the LEX shelf.

SUPPLY

Includes single piece with mounting accessories.



STAINLESS STEEL COVER

TLX CODE	B	P
TLX6-01	600	398
TLX8-02	800	398
TLX1-23	1200	398
TLX1-64	1600	398

Note: to order the item in AISI 316L, add the suffix "H" to the code (i.e.: TLX6-01H).

PLINTH EUZX

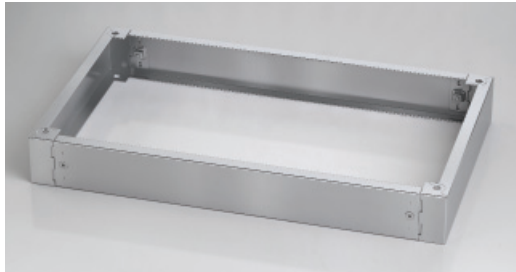
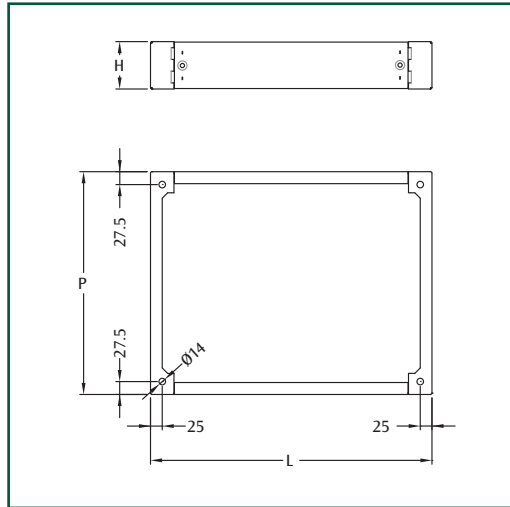
CHARACTERISTICS

Front crosspieces and side crosspieces with integrated corners manufactured from 2.0 mm thick AISI 304L stainless steel (AISI 316L on request).

SUPPLY

The plinth is made up of:

- front crosspieces: supply includes 2 pieces
- side crosspieces with integrated corners: supply includes 2 pieces with mounting screws.



DIMENSIONAL SPECIFICATIONS

CONTROL DESK DIM.		PLINTH DIM.	
W	D	L	P
600	400	600	365
800	400	800	365
1000	400	1000	365
1200	400	1200	365
1600	400	1600	365

SIDE CROSSPIECES WITH INTEGRATED CORNERS

EUZX CODE	DESCRIPTION	CROSS. HEIGHT MM
EUZX-P0400M	SIDE CROSSPIECES WITH INTEGRATED CORNERS FOR PLINTH D=400	100
EUZX-P0400MD	SIDE CROSSPIECES WITH INTEGRATED CORNERS FOR PLINTH D=400	200

FRONT CROSSPIECES

EUZX CODE	DESCRIPTION
EUZX-L0600M	FRONT CROSSPIECES FOR PLINTH W=600
EUZX-L0800M	FRONT CROSSPIECES FOR PLINTH W=800
EUZX-L1000M	FRONT CROSSPIECES FOR PLINTH W=1000
EUZX-L1200M	FRONT CROSSPIECES FOR PLINTH W=1200
EUZX-L1600M	FRONT CROSSPIECES FOR PLINTH W=1600

Note: to order the plinth H=200 mm, order 2 packages of front crosspieces (i.e. Plinth H=200 mm dim. 800 x 400: 1 x EUZX-P0400MD + 2 x EUZX-L0800M).

Note: to order the item in higher grade AISI316L, add the suffix "H" to the code (i.e. EUZX-P0400MH).

Stainless steel

SOLUTIONS FOR OUTDOOR APPLICATIONS



ETA QUALITY, FOR OUTDOOR

Thanks to the specific constructive concept, high quality materials and resistant finishes, the range of outdoor solutions E VIS provides the perfect protection of the framework internal components by environmental factors, extreme temperatures, direct sunlight, harsh environment, vandalism and atmospherical, chemical and mechanical agents.

For these reasons, E VIS product design provides an exceptional protection for your outdoor applications.

BENEFITS

New manufacturing concepts	Innovation
Natural ventilation	Functionality
Resistant materials and finishes for outdoor applications	Strength
Quick assembly and easy wiring	Easiness
Anti-vandalism design and protection of the inner components	Safety

Outdoor



e vis

SOLUTIONS FOR OUTDOOR APPLICATIONS

FEATURES

- 1 Available in two versions: single-walled or double walled with coverings.
- 2 Available in two materials: steel sheet and aluminium alloy.
- 3 Supplied with a special painting process, with a unique of polyester powder with zinc base, ideal for outdoor applications.
- 4 Monobloc cabinets with a vandal-resistant silhouette that is inaccessible when the door is closed.
- 5 Rain canopy screwed on the structure.
- 6 Door provided with a locking system with key and with the possibility to install different inserts or lockable closures.
- 7 Natural ventilation around the monobloc cabinet, due to the “double-walled” system of the side and rear panels, the ventilated roof and the plinth.
- 8 Quick and easy installation wiring, combined with the maximum safety and security.
- 9 It can be equipped internally with ETA standard accessories.

Outdoor





INNOVATION

Innovative product concept.



DESIGN

Thanks to the new design, the side covers are assembled without the aid of screws.

Outdoor

S
PLUS
P

FLEXIBILITY

Possibility to design solutions with special dimensions, different finishes, special insulations, silicone seal or completely customised solutions according to customers' requirements.



THERMAL MANAGEMENT

Double-layer front door and ventilation openings on the roof for a simple thermal management of the solution.



FUNCTIONALITY

Only 3 screws to assemble the hinged roof and fix the side covers to the monobloc structure.



STRENGTH AND SAFETY

With the door closed there are no points of access from the outside. Locking system with key.



EASINESS

Large cable entry and quick assembly of the front plinth crosspiece for an easy wiring.

Outdoor



CHARACTERISTICS

Monobloc enclosure, roof, door and rear panel manufactured from 2.0 mm thick aluminium alloy AlMg3 or 1.5 mm thick sheet steel.

- welded monobloc structure with removable rear panel
- roof with ventilation slots and screwed to the monobloc enclosure
- exclusive frontal access with a door provided with a two-component polyurethane foam seal, 3 points lever-operated locking system and key lock
- 40 mm high rain canopy with a 20 mm overhang on all sides
- removable and screwed cable entry plates
- available with the double door for L=1200 mm
- plinth H=100/200 available with front blank or ventilated crosspieces. *

* Plinth to be ordered separately

PAINT FINISH

Special painting process with a single polyester powder coating with zinc base.

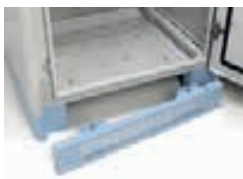
- enclosure, rear panel and door: RAL 7035 smooth finish
- roof: Pantone 2717U smooth finish.

PROTECTION RATING

- IP56 (single door) and IP55 (double door) complying with IEC EN62208; EN60529
- NEMA 3R (sheet steel version) and NEMA 4X (aluminium version) complying with UL508A; UL50
- protection degree guaranteed by the two-component polyurethane foam seal **
- impact resistance IK 10 complying with IEC EN62208; EN62202.

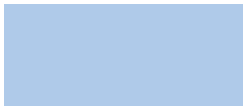
** Solution with two-component silicone foam seal available upon request.

Note: For further information, see the Technical section on page 307.

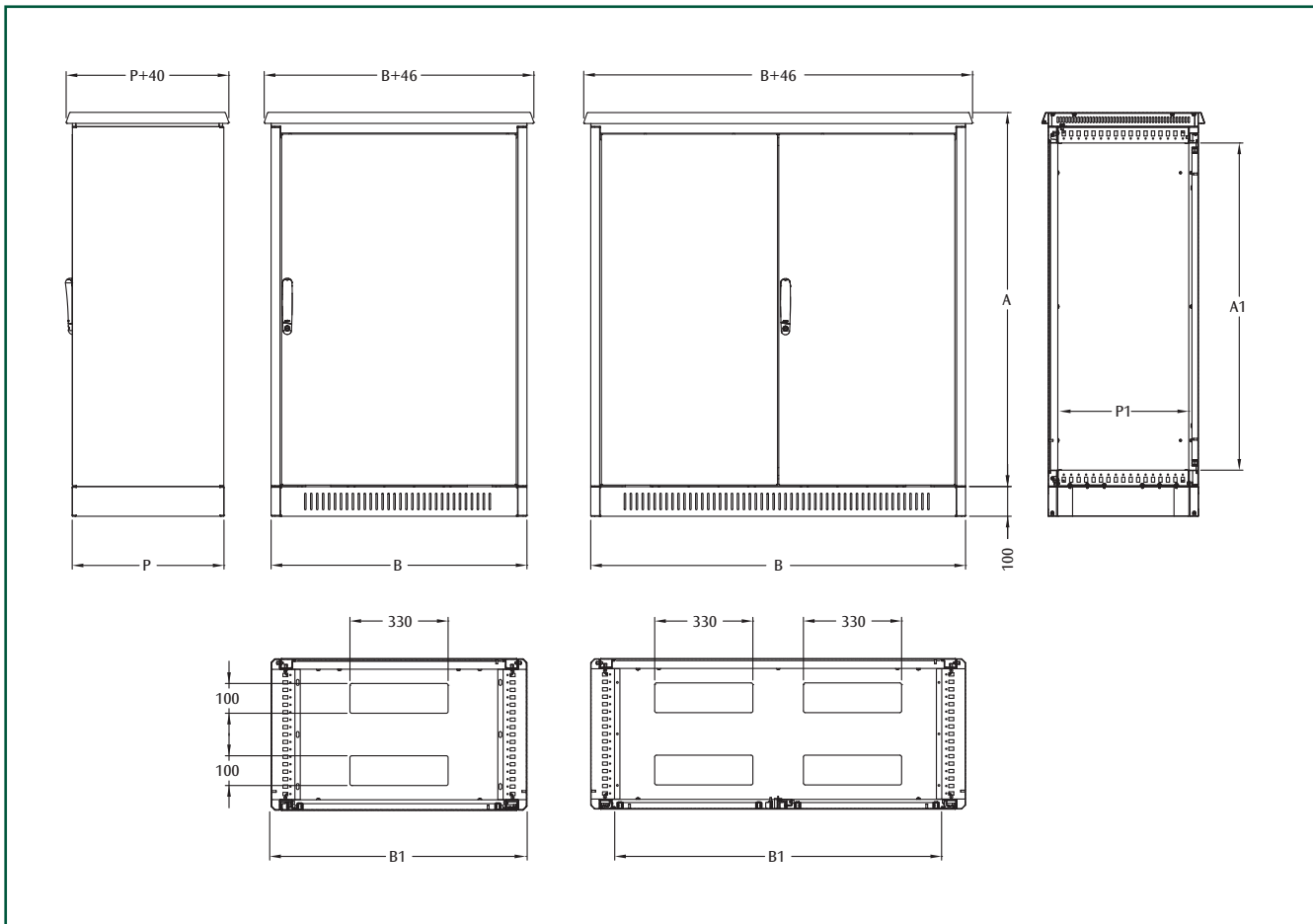


Accessories, see page 242

Outdoor



Pantone 2717U



DIMENSIONAL SPECIFICATIONS

E VIS CODE	DIMENSIONS			CABINET DIMENSIONS			AVAILABLE SPACE		
	WIDTH	HEIGHT	DEPTH	B	A	P	B1	A1	P1
EVIS060804SA	600	800	400	660	858	410	500	700	340
EVIS061204SA	600	1200	400	660	1258	410	500	1100	340
EVIS061205SA	600	1200	500	660	1258	510	500	1100	440
EVIS061404SA	600	1400	400	600	1458	410	500	1300	340
EVIS080804SA	800	800	400	860	858	410	700	700	340
EVIS081204SA	800	1200	400	860	1258	410	700	1100	340
EVIS081205SA	800	1200	500	860	1258	510	700	1100	440
EVIS081404SA	800	1400	400	860	1458	410	700	1300	340
EVIS120804SA	1200	800	400	1260	858	410	1100	700	340
EVIS121204SA	1200	1200	400	1260	1258	410	1100	1100	340
EVIS121205SA	1200	1200	500	1260	1258	510	1100	1100	440
EVIS121404SA	1400	1400	400	1260	1458	410	1100	1300	340

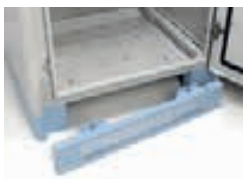
Note: codes are referring to the single-walled solution manufactured from aluminium alloy. To order the single-walled sheet steel version, replace the suffix "A" with the suffix "M" (i.e.: EVIS060804SM).

Note: dimensions for floor fixing on page 243.

Note: further dimensions available upon request.

Note: standard door hinged on the right; to have a left hinged door, add a Note when ordering.

Outdoor



Accessories, see page 242

Outdoor



Pantone 2717U

CHARACTERISTICS

Monobloc enclosure, roof, door, rear panel and covers manufactured from 2.0 mm thick aluminium alloy AlMg3 or 1.5 mm thick sheet steel.

- welded monobloc structure with removable rear panel and provided with external covers
- rear and side covers fixed to the monobloc structure without the aid of screws, with a pre-defined mounting sequence and a logical system of joints
- hinged roof with ventilation slots frontally screwed to the frame of the monobloc enclosure
- exclusive frontal access with a double-wall door provided with a two-component polyurethane foam seal, 3 points lever-operated locking system and key lock
- 40 mm high rain canopy with a 20 mm overhang on all sides
- removable and screwed cable entry plates
- available with the double door for L=1200 mm
- plinth H=100/200 available with front blank or ventilated crosspieces.*

* Plinth to be ordered separately

PAINT FINISH

Special painting process with a single polyester powder coating with zinc base.

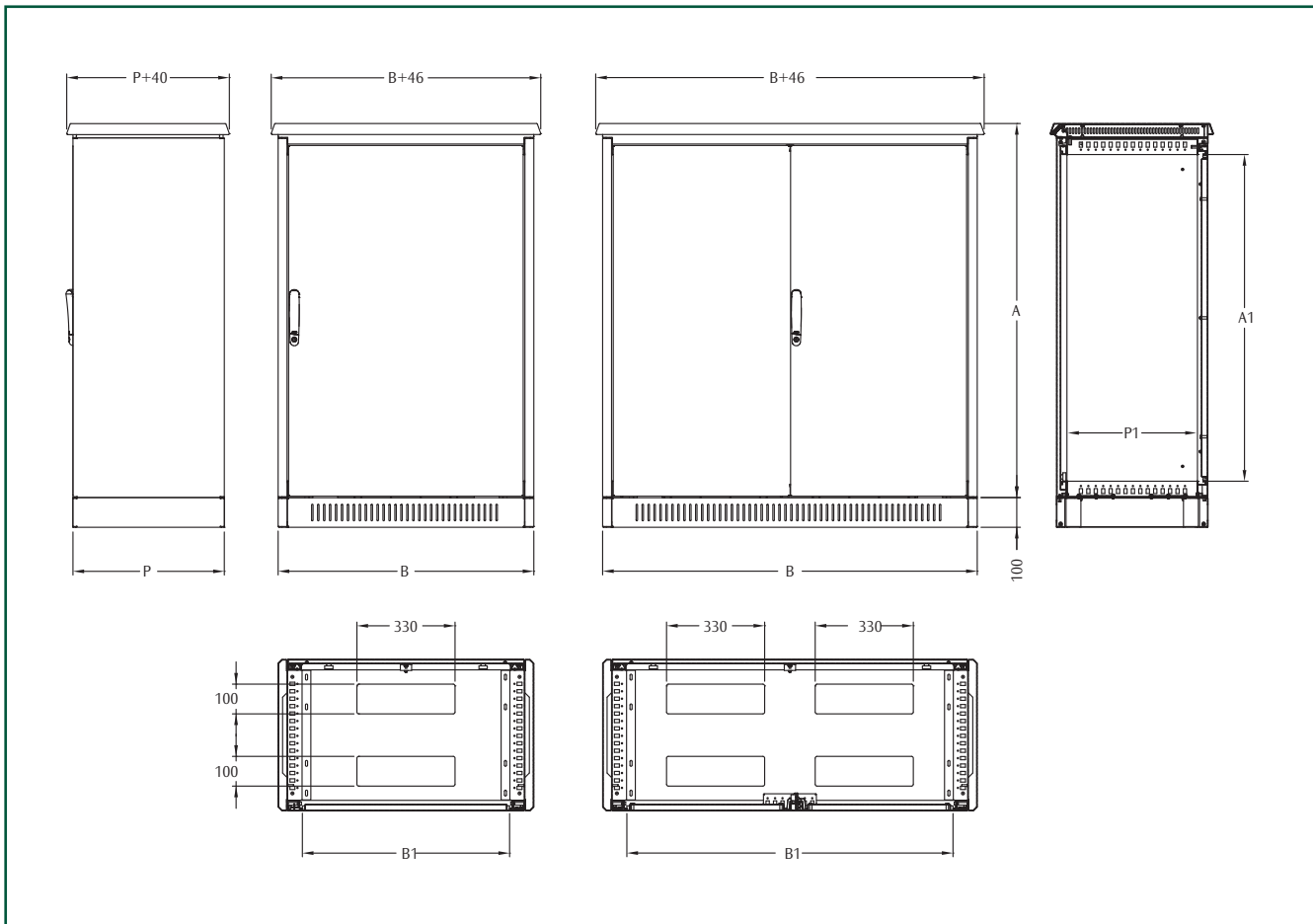
- enclosure, rear panel and door: RAL 7035 smooth finish
- roof: Pantone 2717U smooth finish.

PROTECTION RATING

- IP56 (single door) and IP55 (double door) complying with IEC EN62208; EN60529
- NEMA 3R (sheet steel version) and NEMA 4X (aluminium version) complying with UL508A; UL50
- protection degree guaranteed by the two-component polyurethane foam seal**
- impact resistance IK 10 complying with IEC EN62208; EN62202.

** Solution with two-component silicone foam seal available upon request

Note: for further information, see the Technical section on page 307.



DIMENSIONAL SPECIFICATIONS

E VIS CODE	DIMENSIONS			CABINET DIMENSIONS			AVAILABLE SPACE		
	WIDTH	HEIGHT	DEPTH	B	A	P	B1	A1	P1
EVIS060804DA	600	800	400	660	858	410	500	700	340
EVIS061204DA	600	1200	400	660	1258	410	500	1100	340
EVIS061205DA	600	1200	500	660	1258	510	500	1100	440
EVIS061404DA	600	1400	400	600	1458	410	500	1300	340
EVIS080804DA	800	800	400	860	858	410	700	700	340
EVIS081204DA	800	1200	400	860	1258	410	700	1100	340
EVIS081205DA	800	1200	500	860	1258	510	700	1100	440
EVIS081404DA	800	1400	400	860	1458	410	700	1300	340
EVIS120804DA	1200	800	400	1260	858	410	1100	700	340
EVIS121204DA	1200	1200	400	1260	1258	410	1100	1100	340
EVIS121205DA	1200	1200	500	1260	1258	510	1100	1100	440
EVIS121404DA	1400	1400	400	1260	1458	410	1100	1300	340

Note: codes are referring to the double-walled solution manufactured from aluminium alloy. To order the double-walled sheet steel version, replace the suffix "A" with the suffix "M" (i.e.: EVIS060804DM).

Note: dimensions for floor fixing on page 243.

Note: further dimensions available upon request.

Note: standard door hinged on the right; to have a left hinged door, add a Note when ordering.

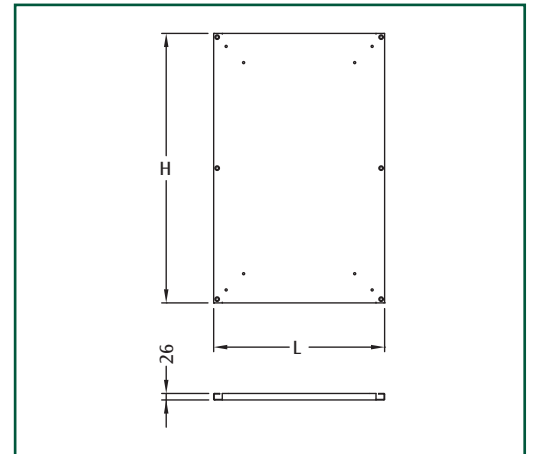
Outdoor



FRONT INSERTED MOUNTING PLATE EVPA

Manufactured from 2.0 mm thick sendzimir sheet steel.

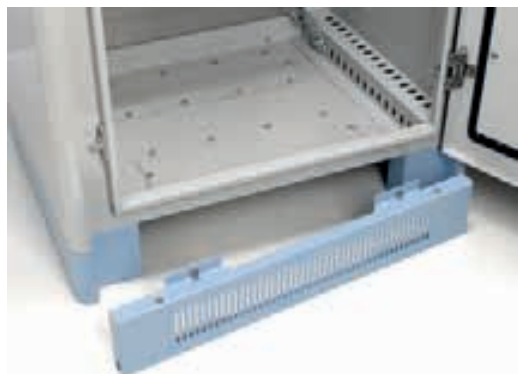
Note: to be ordered separately: mounting accessories WTAC-002.



MOUNTING PLATE

EVPA CODE	CABINET DIM.		M. PLATE DIM.	
	B	A	L	H
EVPA-060080	600	800	485	680
EVPA-060120	600	1200	485	1080
EVPA-060140	600	1400	485	1280
EVPA-080080	800	800	685	680
EVPA-080120	800	1200	685	1080
EVPA-080140	800	1400	685	1280
EVPA-120080	1200	800	1085	680
EVPA-120120	1200	1200	1085	1080
EVPA-120140	1200	1400	1085	1280

Outdoor



MODULAR PLINTH EVZE

CHARACTERISTICS

Front and lateral crosspieces with integrated corners manufactured from 2.0 mm thick aluminium alloy AlMg3 or 2.0 mm thick sheet steel.

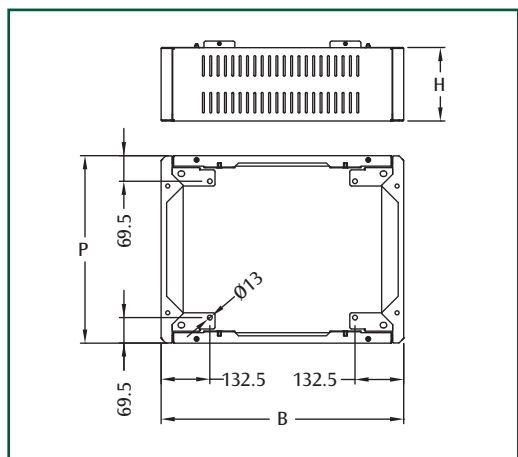
PAINT FINISH

Special painting process with a single polyester powder coating with zinc base.
Colour: Pantone 2717U smooth finish.

SUPPLY

The plinth is composed by:

- two lateral blank crosspieces with integrated corners
- two front blank or ventilated crosspieces.



LATERAL CROSSPIECES WITH CORNERS

EVZE CODE	DESCRIPTION	P
EVZE-T0400A	LATERAL CROSSPIECES WITH INTEGRATED CORNERS H=100	410
EVZE-T0500A	LATERAL CROSSPIECES WITH INTEGRATED CORNERS H=100	510

FRONT CROSSPIECES

EVZE CODE	DESCRIPTION	B
EVZE-T0600A	FRONT BLANK CROSSPIECES H=100	660
EVZE-T0800A	FRONT BLANK CROSSPIECES H=100	860
EVZE-T1200A	FRONT BLANK CROSSPIECES H=100	1260

Note: codes are referring to the plinth in aluminium alloy.

Note: to order the plinth in the sheet steel version, replace the suffix "A" with the suffix "M" (i.e.: EVZE-T0400M).

Note: to order the frontal crosspieces with ventilation slots, add the suffix "V" to the code (i.e.: EVZE-T0400AV or EVZE-T0400MV).

Note: to order crosspieces with H=200, add the suffix "D" to the code (i.e.: EVZE-T0400AD or EVZE-T0400AVD).

WTPR RAIL H=50 MM

Only one type of rail for all the applications (in width and height).

CHARACTERISTICS

Manufactured from 1.5 mm thick sendzimir sheet steel, properly punched each 25 mm. To be mounted on the structure with the aid of fixing brackets WTSF-001.

SUPPLY

Includes 4 pieces.

Note: fixing brackets WTSF-001 to be ordered separately.



RAILS H=50 MM		
WTPR CODE	CABINET DIM.	RAIL LENGTH
WTPR-050040	400	300
WTPR-050050	500	400
WTPR-050060	600	500
WTPR-050080	800	700
WTPR-050120	1200	1100
WTPR-050140	1400	1300

BRACKETS FOR RAILS FIXING WTSF-001

CHARACTERISTICS

Manufactured from 2.5 mm thick zinc-passivated sheet steel.

SUPPLY

Includes 8 pieces with mounting accessories.



19" SYSTEM PLUS RAILS WTMK

Designed for the assembly of 19" products or modular electric equipment with DIN rail mounting, for E VIS solutions W=600 mm.

CHARACTERISTICS

Manufactured from 1.5 mm thick press bent sheet steel.

PAINT FINISH

ETA standard epoxy polyester powder coating. Colour: RAL 7035 textured finish.

SUPPLY

Includes 2 pieces with mounting accessories.

Note: for E VIS solutions W=800 mm, add WTK000800.

19" SYSTEM PLUS RAILS		
WTMK CODE	CABINETS HEIGHT	HE
WTMK150800	800	15
WTMK241200	1200	24
WTMK291400	1400	29

Outdoor

EYEBOLTS WTGS-004

Zincpassivated M12 lifting eyebolts.

SUPPLY

Includes 4 pieces with nuts, washers and brackets.

WE LOCKING SYSTEMS

For WE locking systems and inserts that are different from the standard solutions with the key, see page 64.



THERMAL MANAGEMENT

Outdoor applications, that are exposed to different temperature gradients and to a continuous solar irradiation, need a good conditioning to constantly ensure the proper functioning of the electrical and electronic equipment installed.

In order to handle these issues in an appropriate way, in addition to the standard items for ventilation and heating, we offer a choice of specific outdoor conditioners, to be installed inside or outside the cabinet and a wide range of accessories (anti-condensation heaters etc.)

Note: for further information, see Thermal Management section (page 279).



EMC SOLUTIONS

The EC Directive 2004/108/CE on electromagnetic compatibility applies to equipment and units that can generate/receive electromagnetic waves and liable to cause interferences, altering the correct functioning of electronic equipment installed in the cabinets.

Our products, not being a source of electromagnetic waves, go beyond the dispositions of the Directive, but they can act as a barrier of the electromagnetic waves which propagate from the internal and external source: this allows a significant damping of the electromagnetic field strength (both the electric and the magnetic components of the field) and, as a consequence, of the disturbance that they cause to the equipment.

BENEFITS

Structural features	High protection
Constructive concepts and performing materials	Customer support to comply with the Directive
Variety of solutions, cabinets and boxes	Flexibility
Compliance to the industry standards	Safety



CHARACTERISTICS

The profile used for uprights and crosspieces is unique, manufactured from high-strength low-alloy sheet steel, closed with continuous welding and free of sharp edges. The bottom is a single piece with box type structure manufactured from press-bent welded profiles of high-strength low-alloy sheet steel. The frame corners are manufactured in a special steel with orthogonal joints laser welded to vertical upright rails and horizontal rails for the roof and bottom. Only 8 high-strength low-alloy screws are necessary to mount the structure, while two position pins allow the easy mounting of the two parts of the joint.

PAINT FINISH

ETA standard epoxy polyester powder coating.

- door and rear panel (external): RAL 7035 textured finish
- roof (external): RAL 5020 textured finish.

ASSEMBLED E NUX CABINET

- structure manufactured from high-strength low-alloy galvanized sheet steel
- door manufactured from sheet steel, galvanized on both sides and painted only externally, with stiffening frame, complete with \varnothing 3 mm lever-operated double bar locking system
- rear panel and removable roof galvanized on both sides and painted only externally
- bottom manufactured from high-strength low-alloy galvanized sheet steel, provided with a single galvanised base plate
- shielding and conductive gasket positioned on the structure and the bottom.

E NUX CABINET

ASSEMBLED CABINET CODE	DIMENSIONS		
	WIDTH	HEIGHT	DEPTH
ENUX062006PRZ	600	2000	600
ENUX082006PRZ	800	2000	600
ENUX062008PRZ	600	2000	800
ENUX082008PRZ	800	2000	800

Note: further dimensions available on request.

Note: for plexi door version, it is available on request a window manufactured from polycarbonate or methacrylate, with the internal part manufactured from a wire mesh that allows the vision of the internal instrumentation without altering significantly the offered shielding values.

EMC cabinets tested at the Nemko SpA laboratory. For more details, refer to the Technical section on page 319.

PROTECTION RATING

NEMA 1 complying with UL508, UL50.

SIDE PANELS EUFI

CHARACTERISTICS

Manufactured from sheet steel with folded sides, galvanized on both sides and painted only externally.

PAINT FINISH

ETA standard epoxy polyester powder coating.
Colour: RAL 7035 textured finish.

SUPPLY

- two side panels
- rapid fasten couplers
- mounting accessories.

Note: further dimensions are available upon request.

SIDE PANELS		
EUFI CODE	DIMENSIONS	
	HEIGHT	DEPTH
EUFI060200EMC	2000	600
EUFI080200EMC	2000	800

EMC



JOINING KIT EUKU-002EMC

Used to join together E NUX EMC cabinets.

SUPPLY

Includes:

- 8 connection blocks
- conductive, shielding and adhesive gasket
- mounting accessories.



ST EMC BOXES

Enclosure and reversible door manufactured from 1.5 mm thick sheet steel. Flat mounting plate manufactured from 2.5 mm thick galvanized sheet steel.

SUPPLY

The box includes:

- galvanized enclosure, painted only externally
- galvanized mounting plate
- galvanized door, painted only externally, complete with locking system body in chromed zinc alloy and lever in stainless steel with \varnothing 3 mm double bar key
- conductive and shielding gasket
- set of screws for grounding and mounting plate assembling.

PAINT FINISH

ETA standard epoxy polyester powder coating.
Colour: RAL 7035 textured finish.

PROTECTION RATING

NEMA 1 complying with UL508; UL50.



ST BOXES

STE CODE	BOX DIMENSIONS		
	WIDTH	HEIGHT	DEPTH
STE4420	400	400	200
STE4620	400	600	200
STE6630	600	600	300



SD EMC TERMINAL BOXES

Enclosure and cover manufactured from 1.2 mm thick sheet steel.

SUPPLY

The box includes:

- galvanized enclosure, painted only externally
- galvanized cover, painted only externally, fixed with captive screws and provided with holes for the application of hinges
- conductive and shielding gasket
- set of screws for cover fixing.

PAINT FINISH

ETA standard epoxy polyester powder coating.
Colour: RAL 7035 textured finish.

PROTECTION RATING

NEMA 1 complying with UL508; UL50.



SD BOXES

SDVE CODE	BOX DIMENSIONS		
	WIDTH	HEIGHT	DEPTH
SDVE3312	300	300	120
SDVE5312	500	300	120

COMPLETE SYSTEM

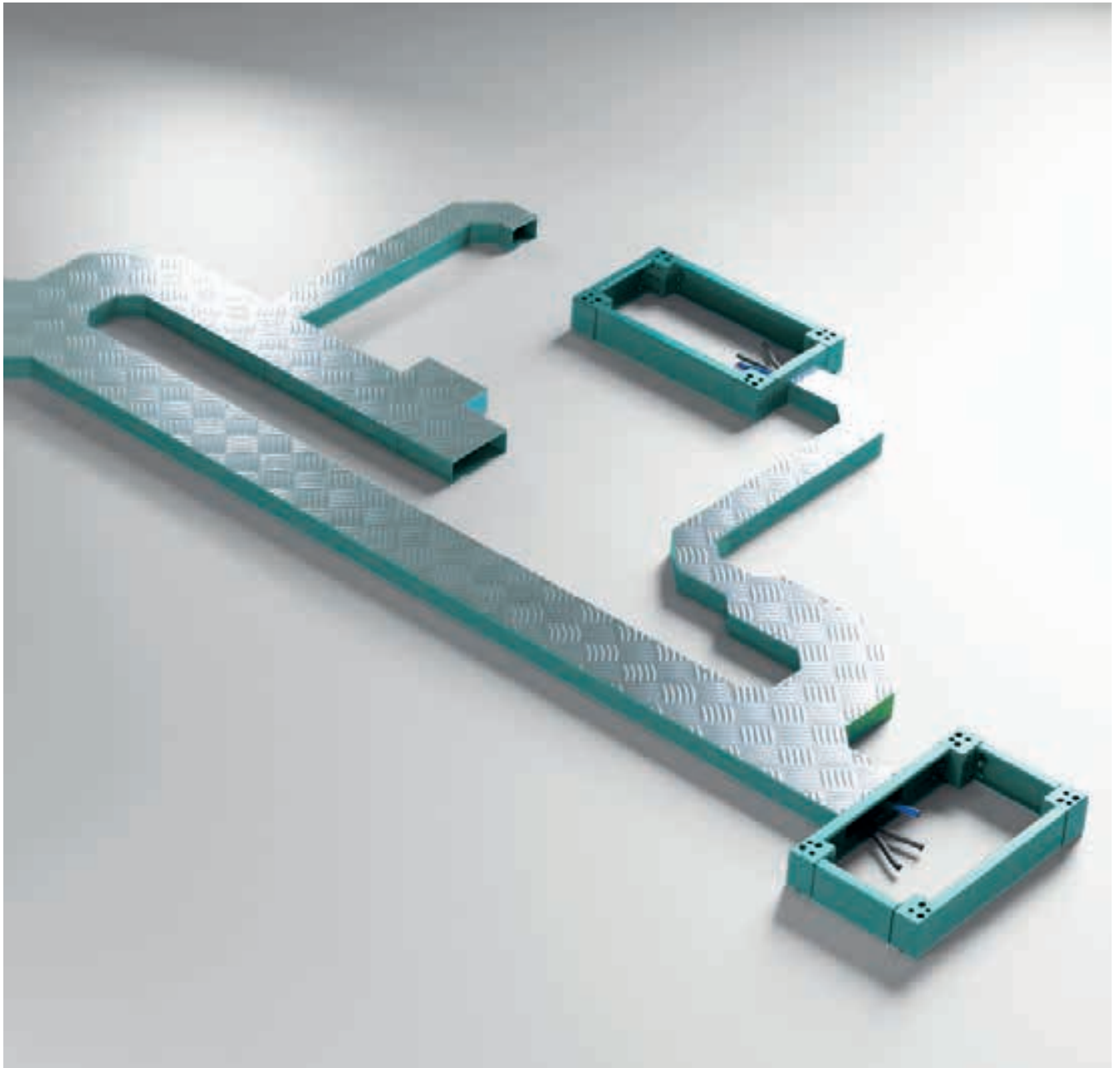
BIONIQ

BIONIQ LIGHT

PENDANT ARM SYSTEM

CABLE TRAY SYSTEM
E RIVI

THERMAL MANAGEMENT ETHERMO



e rivi

CABLE TRAY SYSTEM

The efficiency and operation of a plant depend on the quality of its constituent elements: in this respect, and in order to deliver a real “complete system”, ETA offers a system of walk-able cable conduits for floor installation.

STURDY construction based on the use of 2.0 mm thick sheet steel for the manufacturing of elements.

SAFETY guaranteed by the 3.0 mm thick checkerplate alloyed aluminium coating, non-slipping and walk-able.

PROTECTION of the cabling system from the conduit and crosspiece front system of the plinth.

MODULAR composition based on elements of different lengths that build up the system and allow to create different combinations.

FLEXIBLE system composition with different modules and connections (star, T-shaped, L-shaped, etc) to meet different installation requirements.

EASY assembling thanks to the element hanging system with quick snap-in mechanism.

Cable tray

PLINTH FRONT CROSSPIECE FOR CABLE CONDUIT EUZE

CHARACTERISTICS

Manufactured from 2.0 mm thick press bent sheet steel.

PAINT FINISH

ETA epoxy polyester powder coating.
Colour: RAL 5020 textured finish.

SUPPLY

One front crosspiece for cable conduit and one blank front crosspiece

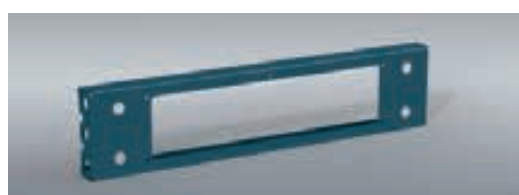
- Type 1: a drilled crosspiece for flanges (flanges to be ordered separately, see codes on page 252) and a blank crosspiece
- Type 2: one crosspiece with adjustable flange and one blank crosspiece.

To complete the modular plinth, please order:

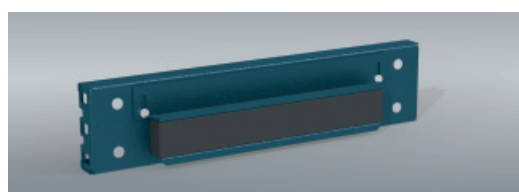
- corner pieces: supply includes 4 pieces complete with front covers and mounting hardware
- side crosspieces: supply includes 2 pieces.

Note: to complete the plinth, see page 65.

DIMENSIONAL SPECIFICATIONS			
CABINET WIDTH	B	NO. OF FLANGES	C
600	444	1	—
800	644	1	—
1000	844	1	—
1200	1044	2	520
1400	1244	2	620
1600	1444	2	720



DIMENSIONAL SPECIFICATIONS			
CABINET WIDTH	B	NO. OF FLANGES	C
600	444	1	—
800	644	1	—
1000	844	1	—
1200	1044	2	520
1400	1244	2	620
1600	1444	2	720

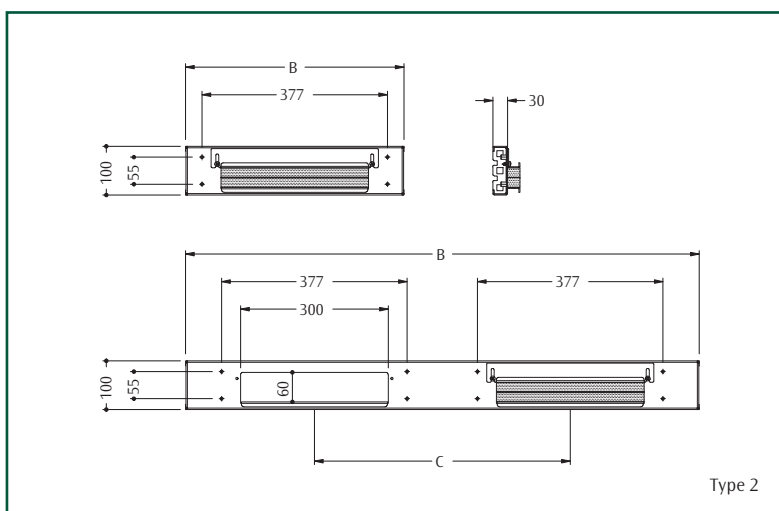
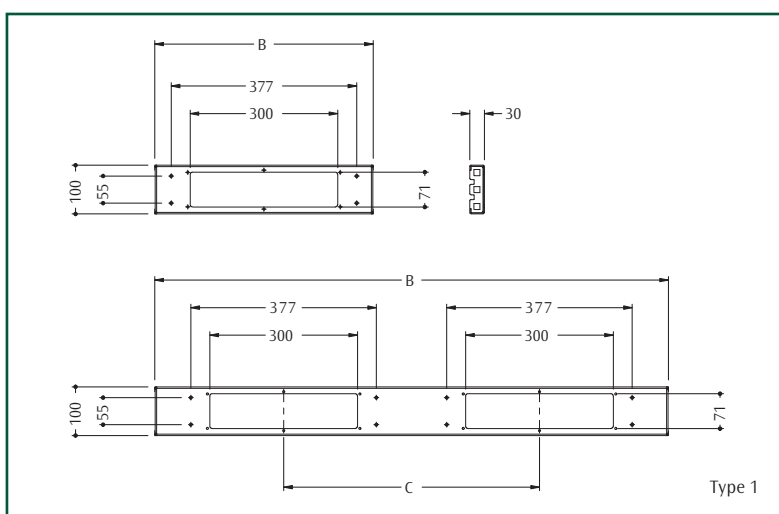


PLINTH CROSSPIECE FOR CABLE CONDUIT

EUZE CODE	DESCRIPTION
EUZE-T0600CN1	PLINTH CROSSPIECES TYPE 1 W=600
EUZE-T0800CN1	PLINTH CROSSPIECES TYPE 1 W=800
EUZE-T1000CN1	PLINTH CROSSPIECES TYPE 1 W=1000
EUZE-T1200CN1	PLINTH CROSSPIECES TYPE 1 W=1200
EUZE-T1400CN1	PLINTH CROSSPIECES TYPE 1 W=1400
EUZE-T1600CN1	PLINTH CROSSPIECES TYPE 1 W=1600

PLINTH CROSSPIECE FOR CABLE CONDUIT

EUZE CODE	DESCRIPTION
EUZE-T0600CN2	PLINTH CROSSPIECES TYPE 2 W=600
EUZE-T0800CN2	PLINTH CROSSPIECES TYPE 2 W=800
EUZE-T1000CN2	PLINTH CROSSPIECES TYPE 2 W=1000
EUZE-T1200CN2	PLINTH CROSSPIECES TYPE 2 W=1200
EUZE-T1400CN2	PLINTH CROSSPIECES TYPE 2 W=1400
EUZE-T1600CN2	PLINTH CROSSPIECES TYPE 2 W=1600



Cable tray

FLANGE FOR CROSSPIECES TYPE 1

CHARACTERISTICS

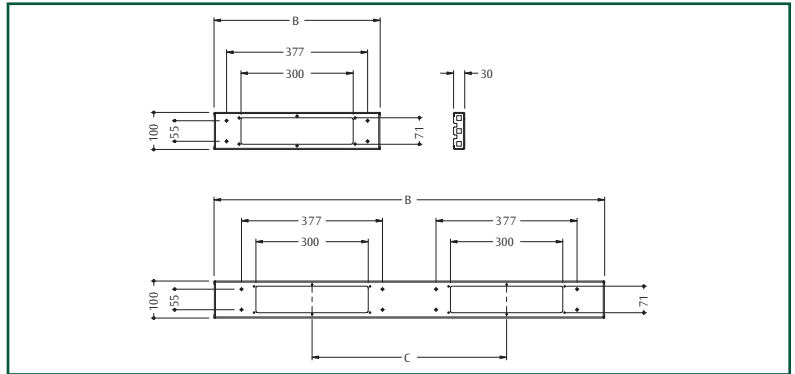
Manufactured from 2.0 mm thick sheet steel.

PAINT FINISH

ETA epoxy polyester powder coating.
Colour: RAL 5020 textured finish.

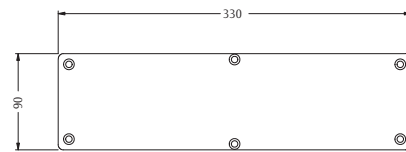
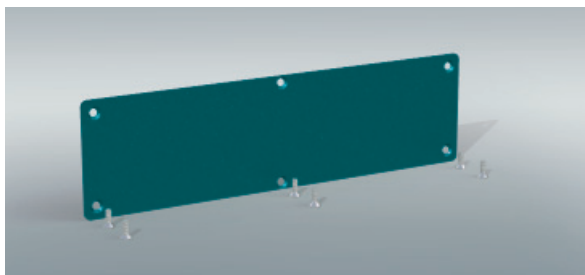
SUPPLY

Includes 1 piece complete with mounting accessories.



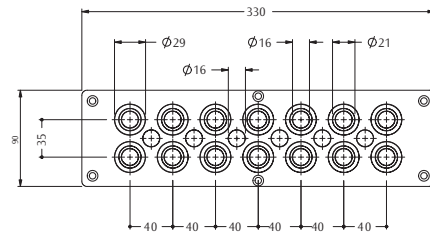
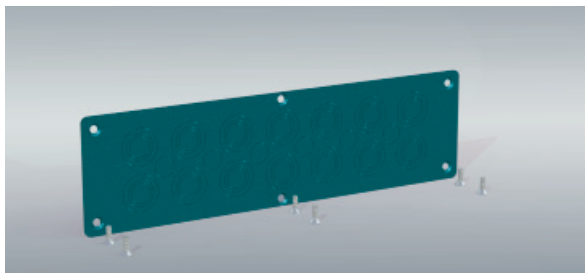
EUZE-FA001

BLANK
FLANGE



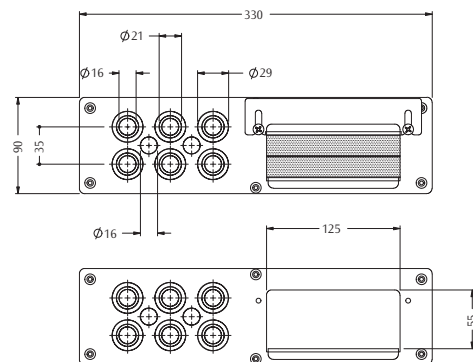
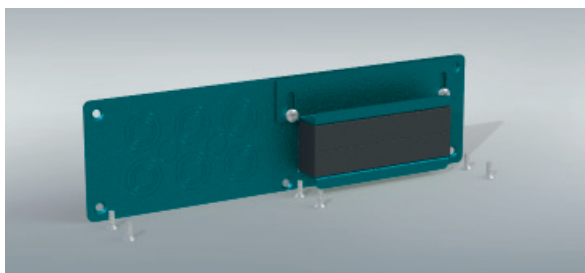
EUZE-FB001

PRE-
DRILLED
FLANGE
FOR CABLE
GLAND



EUZE-FC001

PRE-
DRILLED
FLANGE
FOR CABLE
GLAND
+ CABLE
SPONGE



CONDUIT-PLINTH CONNECTION EUCN200CZ

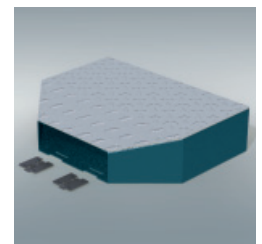
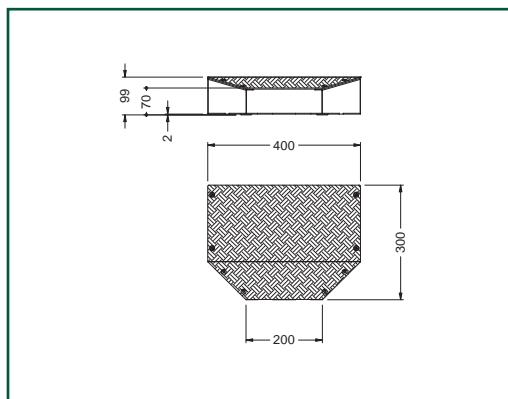
To simplify the installation of incoming and outgoing cables and the connection of cables inside the cabinet.

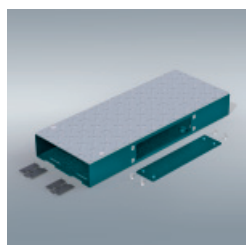
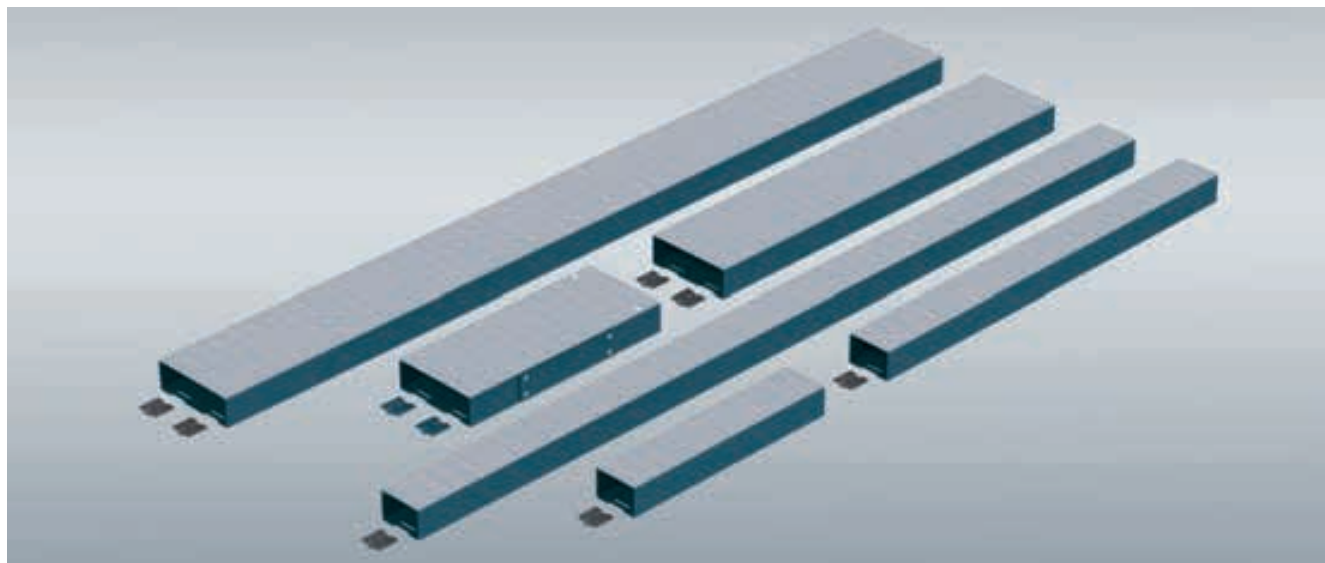
CHARACTERISTICS/SUPPLY

Manufactured from 2.0 mm thick sheet steel with M6x15 stud and 3.0 mm thick checkerplate alloyed aluminium coating. Supply includes one piece with mounting accessories.

PAINT FINISH

Parts manufactured from sheet steel: ETA epoxy polyester powder coating.
Colour: RAL 5020 textured finish.





CONDUIT BASE EUCN

Available in 100 and 200 mm widths, it is delivered in three standard lengths of 500, 1000 and 2000 mm to meet different application requirements (blank, with flanges EUCN - F or for joining with cable bundling EUCN - C).

CHARACTERISTICS/SUPPLY

Manufactured from 2.0 mm thick sheet steel with M6x15 stud and 3.0 mm thick checkerplate alloyed aluminium coating.

Supply includes one piece with mounting accessories. Conduit base supplied in a single piece, covers manufactured from checkerplate alloyed aluminium coating L= 500 mm.

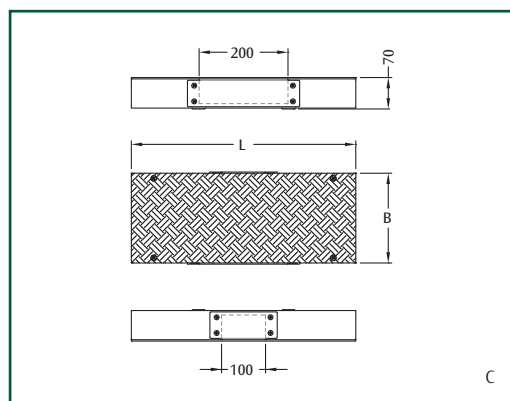
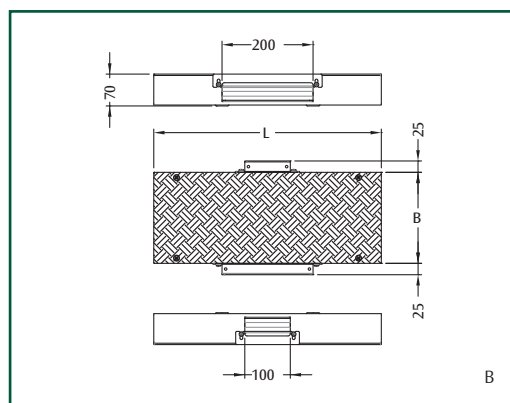
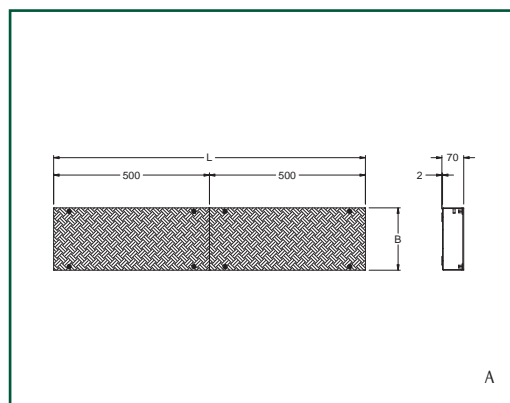
PAINT FINISH

Parts manufactured from sheet steel: ETA epoxy polyester powder coating.

Colour: RAL 5020 textured finish.

CONDUIT BASE

	EUCN CODE	DIMENSIONS		NO. FLANGES
		L	B	
A	EUCN05010	500	100	-
A	EUCN05020	500	200	-
A	EUCN10010	1000	100	-
A	EUCN10020	1000	200	-
A	EUCN20010	2000	100	-
A	EUCN20020	2000	200	-
B	EUCN05010F	500	100	2
B	EUCN05020F	500	200	2
C	EUCN05010C	500	100	2
C	EUCN05020C	500	200	2



Cable tray



CONDUIT BASE CLOSING MODULE

CHARACTERISTICS/SUPPLY

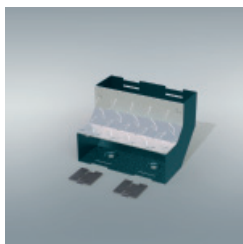
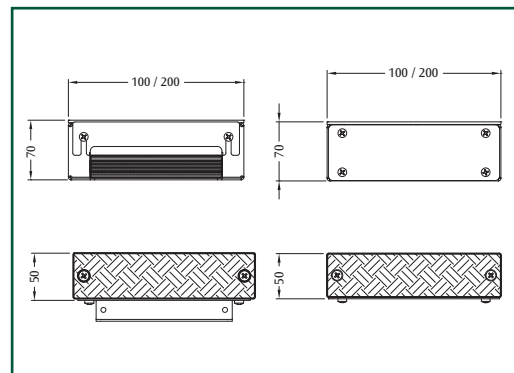
Manufactured from 2.0 mm thick sheet steel, with a 3.0 mm thick checkerplate alloyed aluminium coating, available in blank version or with cable entry. Supply includes one piece with mounting accessories.

PAINT FINISH

Parts manufactured from sheet steel: ETA epoxy polyester powder coating.
Colour: RAL 5020 textured finish.

CONDUIT BASE CLOSING MODULE

EUCN CODE	WIDTH	VERSION
EUCN100CC	100	BLANK
EUCN100CF	100	WITH CABLE ENTRY
EUCN200CC	200	BLANK
EUCN200CF	200	WITH CABLE ENTRY



90-DEGREE WALL FLANGE EUCN200PA

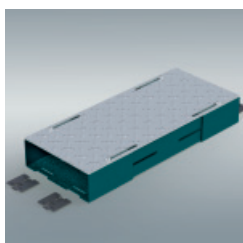
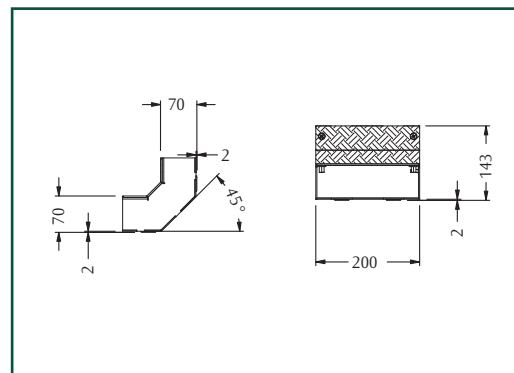
For simplified cable rise to the machine or to the wall.

CHARACTERISTICS/SUPPLY

Manufactured from 2.0 mm thick sheet steel with M6x15 stud and 3.0 mm thick checkerplate alloyed aluminium coating. Supply includes one piece with mounting accessories.

PAINT FINISH

Parts manufactured from sheet steel: ETA epoxy polyester powder coating.
Colour: RAL 5020 textured finish.



TELESCOPIC ELEMENT

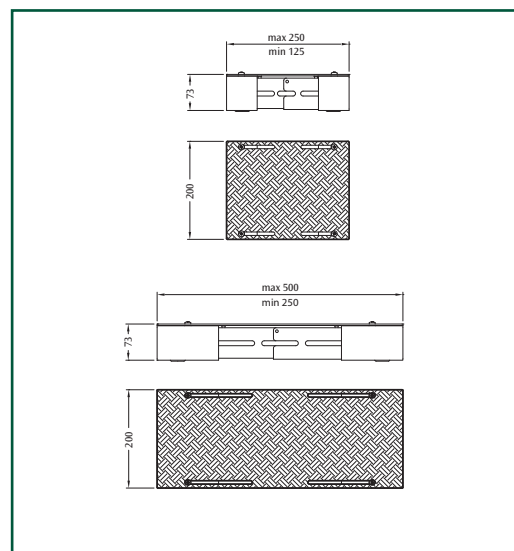
CHARACTERISTICS/SUPPLY

Manufactured from 2.0 mm thick sheet steel with M6x15 stud and 3.0 mm thick checkerplate alloyed aluminium coating. Supply includes one piece with mounting accessories.

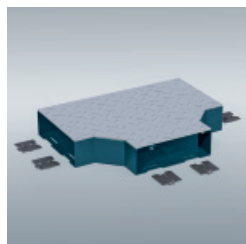
PAINT FINISH

Parts manufactured from sheet steel: ETA epoxy polyester powder coating.
Colour: RAL 5020 textured finish.

TELESCOPIC ELEMENT	
EUCN CODE	WIDTH
EUCN200TLA	125-250
EUCN200TLB	250-500



Cable tray



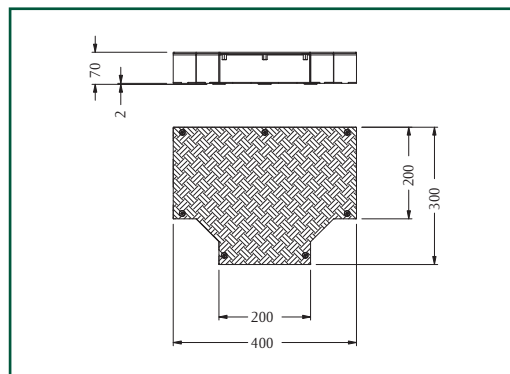
T-JOINT EUCN200RT

CHARACTERISTICS/SUPPLY

Manufactured from 2.0 mm thick sheet steel with 2 studs M6x15 and 3.0 mm thick checkerplate alloyed aluminium coating. Supply includes one piece with mounting accessories.

PAINT FINISH

Parts manufactured from sheet steel: ETA epoxy polyester powder coating. Colour: RAL 5020 textured finish.



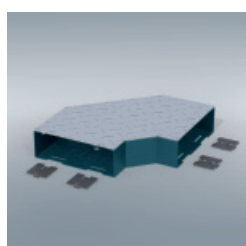
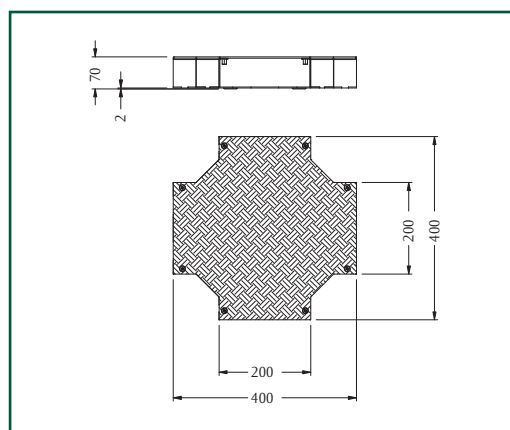
STAR JOINT EUCN200RS

CHARACTERISTICS/SUPPLY

Manufactured from 2.0 mm thick sheet steel with 2 studs M6x15 and 3.0 mm thick checkerplate alloyed aluminium coating. Supply includes one piece with mounting accessories.

PAINT FINISH

Parts manufactured from sheet steel: ETA epoxy polyester powder coating. Colour: RAL 5020 textured finish.



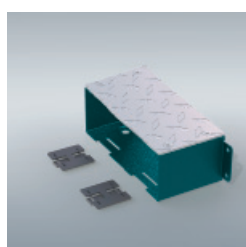
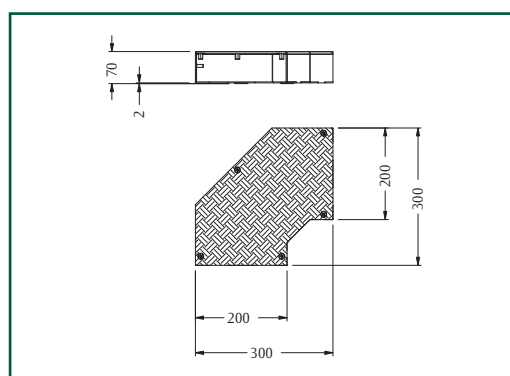
90-DEGREE JOINT W=200 EUCN200RA

CHARACTERISTICS/SUPPLY

Manufactured from 2.0 mm thick sheet steel with 2 studs M6x15 and 3.0 mm thick checkerplate alloyed aluminium coating. Supply includes one piece with mounting accessories.

PAINT FINISH

Parts manufactured from sheet steel: ETA epoxy polyester powder coating. Colour: RAL 5020 textured finish.



CABLE BUNDLING W=200 EUCN200CO

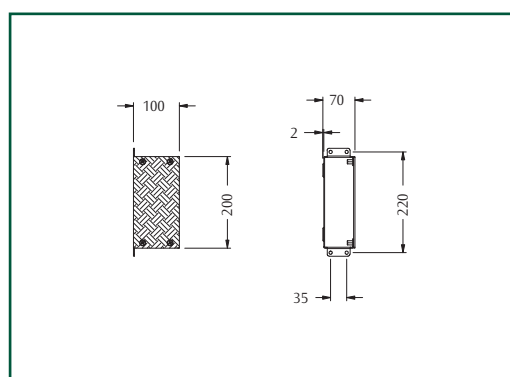
To allow the cable exit from the plinth. Punched plinth crosspieces are available upon request.

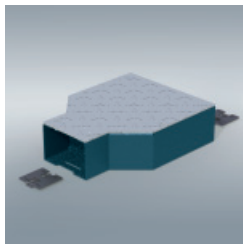
CHARACTERISTICS/SUPPLY

Manufactured from 2.0 mm thick sheet steel and 3.0 mm thick checkerplate alloyed aluminium coating. Supply includes one piece with mounting accessories.

PAINT FINISH

Parts manufactured from sheet steel: ETA epoxy polyester powder coating. Colour: RAL 5020 textured finish.





CONDUIT 200/100 REDUCER JOINT EUCN200RC

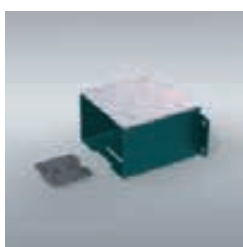
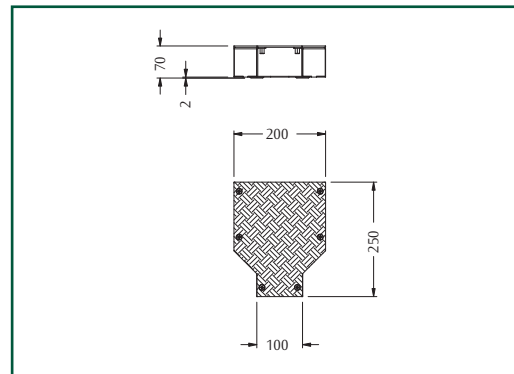
CHARACTERISTICS/SUPPLY

Manufactured from 2.0 mm thick sheet steel with M6x15 stud and 3.0 mm thick checkerplate alloyed aluminium coating.

Supply includes one piece with mounting accessories.

PAINT FINISH

Parts manufactured from sheet steel: ETA epoxy polyester powder coating.
Colour: RAL 5020 textured finish.



CABLE BUNDLING W=100 EUCN100CO

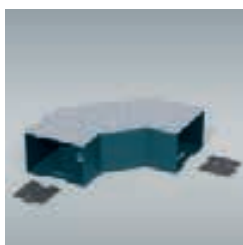
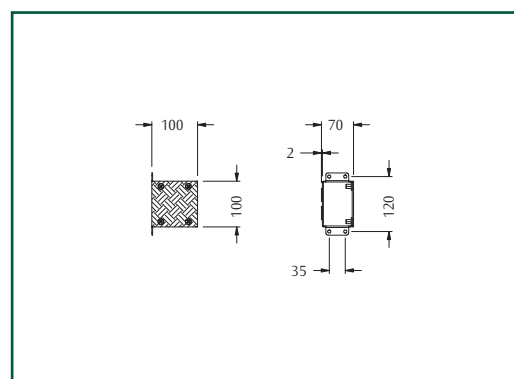
To allow the cable exit from the plinth. Punched plinth crosspieces are available upon request.

CHARACTERISTICS/SUPPLY

Manufactured from 2.0 mm thick sheet steel and 3.0 mm thick checkerplate alloyed aluminium coating.
Supply includes one piece with mounting accessories.

PAINT FINISH

Parts manufactured from sheet steel: ETA epoxy polyester powder coating.
Colour: RAL 5020 textured finish.



90-DEGREE JOINT W=100 EUCN100RA

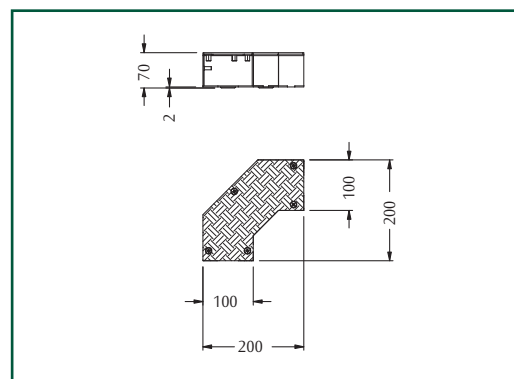
CHARACTERISTICS/SUPPLY

Manufactured from 2.0 mm thick sheet steel with 2 studs M6x15 and 3.0 mm thick checkerplate alloyed aluminium coating.

Supply includes one piece with mounting accessories.

PAINT FINISH

Parts manufactured from sheet steel: ETA epoxy polyester powder coating.
Colour: RAL 5020 textured finish.



HOW TO ORDER THE CABLE TRAY SYSTEM

Evaluate the area on the side of the machine that is available for the cable system.

Identify the dimension of the front/rear plinth crosspiece (EUZE-T...CN...) and the type (CN1 or CN2).

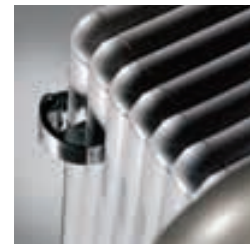
I.e. L=EUZE-T0600CN1 – A front crosspiece for each conduit with 1 flange and a rear blank crosspiece.

In case you order type 1, you have to complete the order with one of the three types of closing flanges EUZE-F (flange doesn't change with different plinth width).

Order the conduit-plinth joint EUCN200CZ (which is compatible with any plinth width because the flange opening is the same).

Complete your order by choosing among the alternatives of the conduit base EUCN (available in various length and in 100 mm or 200 mm width) and the standard joints.

Please remind that the standard width of the joints is 200 mm; it is available the conduit 200/100 reducer joint EUCN200RC to join together the conduit base L=100 and the other elements.



SUSPENSION ARM SYSTEM

FEATURES

Bioniq is the pendant system for control interfaces that is presented to combine design and technology. It is designed as a real “system”, manufactured from aluminium alloy and uses its modularity on the three dimensional axes.

- The BQC operator panel enclosure and the BQK keyboard enclosure are customizable in width, height and depth, on the base of the man-machine interface that have to be inserted.

- The BQPA pendant arm system can be composed on the base of the type of application (it can be fixed on the roof, on the wall or on pedestal).
- Wide range of accessories.



CHARACTERISTICS

Structure made from alloyed aluminium with extruded profiles joined by means of die-cast angular pieces.

PAINT FINISH

Thermosetting epoxy polyester powder for aluminium coating (RAL 9006 silver).

PROTECTION RATING

NEMA 1 in compliance with UL508A; UL50.

SELECTION

To select the operator panel enclosure, indicate the generic family code, classified according to depth as in the table hereunder, and simply indicate the width and height dimensions. When ordering, also specify if the suspension arm shall be fixed to the roof (T) or bottom (B) of the enclosure or if it is a desk version (P).

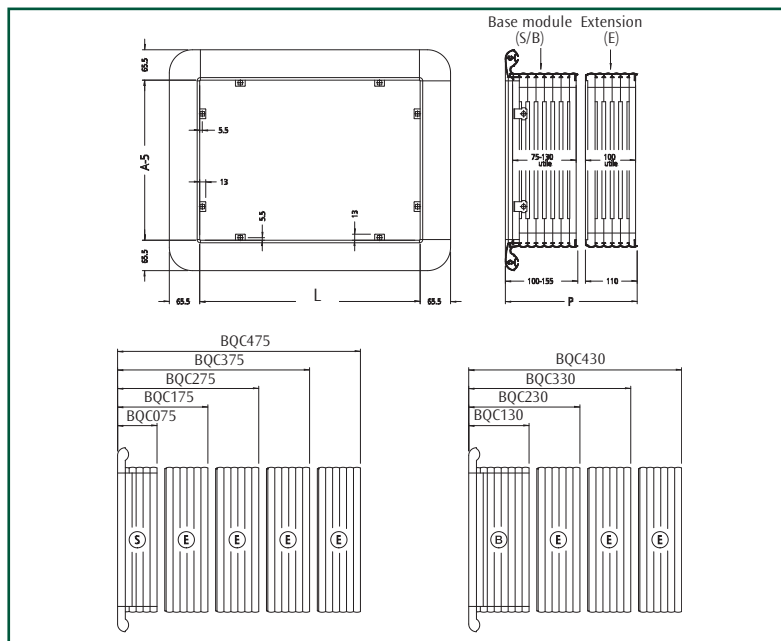
WIDTH AND HEIGHT

Thanks to a high degree of customization, you can choose the width (L) and the height (A) of the operator panel on the base of the equipment that have to be inserted.

DEPTH

The enclosure depth must be selected from the base modules with two different depths, as follows:

- small module (S) with useful internal depth of 75 mm
 - big module (B) with useful internal depth of 130 mm.
- The base modules can be expanded with extensions (E) with useful internal depth of 100 mm.



SELECTION PROCEDURE

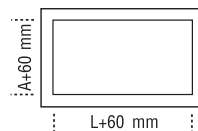
					W+60 mm	H+60 mm	T/B/P
S	B	Q	C	0 7 5			
B	B	Q	C	1 3 0			
S + E	B	Q	C	1 7 5			
B + E	B	Q	C	2 3 0			
S + 2E	B	Q	C	2 7 5			
B + 2E	B	Q	C	3 3 0			
S + 3E	B	Q	C	3 7 5			
B + 3E	B	Q	C	4 3 0			
S + 4E	B	Q	C	4 7 5			

T = fixing of BQPA pendant arm system on BQC enclosure roof

B = fixing of BQPA pendant arm system on BQC enclosure bottom

P = fixing of BQC enclosure on the desk.

- All dimensions are given in mm
- For dimensions above 999 mm, please contact the ETA sales office
- Complete the configuration with BQBP rear panel, BQWA-003 hinges and BQFR front panel if necessary
- The minimum depth of the BQC operator panel enclosure shall be 130 mm (if the BQPA pendant arm system is used)





CHARACTERISTICS

Structure made from alloyed aluminium with extruded profiles joined by means of die-cast angular pieces.

PAINT FINISH

Thermosetting epoxy polyester powder for aluminium coating (RAL 9006 silver).

PROTECTION RATING

NEMA 1 in compliance with UL508A; UL50.

SELECTION

To select the keyboard enclosure, indicate the generic family code, classified according to depth, and indicate the width and height dimensions.

WIDTH AND HEIGHT

Thanks to a high degree of customization, you can choose the width (L) and the height (A) of the operator panel on the base of the equipment that have to be inserted.

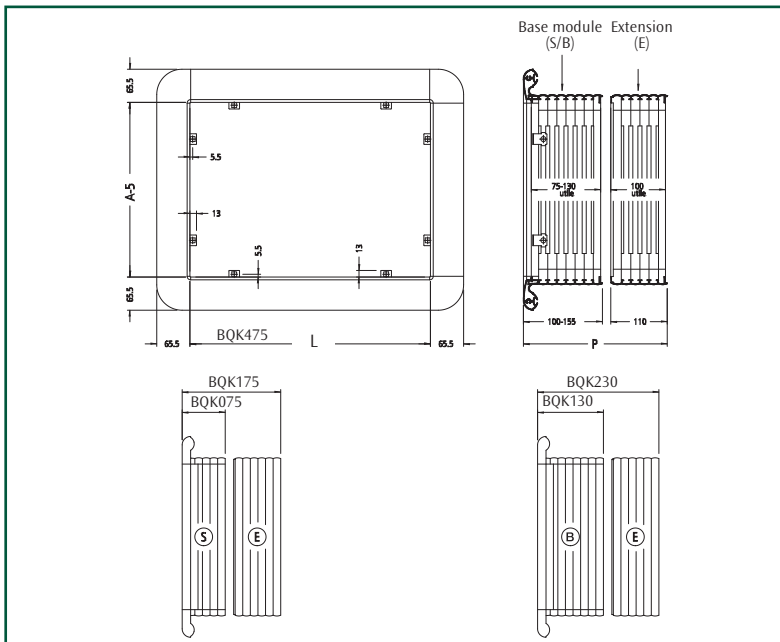
DEPTH

The enclosure depth must be selected from the base modules with two different depths, as follows:

- small module (S) with useful internal depth of 75 mm
- big module (B) with useful internal depth of 130 mm.

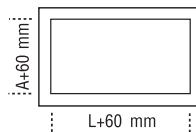
The base modules can be expanded with extensions (E) with useful internal depth of 100 mm.

Note: to be ordered separately the joining profile to the operator panel enclosure BQPU-001 and the rubber sleeve BQM-001 for cable passage (as an alternative to BQPU-001, order the 90-degree connection bracket BQKU-003, see page 265).

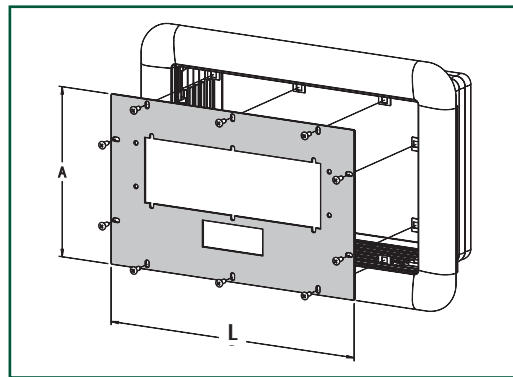


SELECTION PROCEDURE

		W+60 mm	H+60 mm
S	B Q K 0 7 5		
B	B Q K 1 3 0		
S + E	B Q K 1 7 5		
B + E	B Q K 2 3 0		



- All dimensions are given in mm
- Complete the configuration with BQBP rear panel, BQWA-003 hinges and BQFR front panel if necessary (see page 260)



Note: if required, specify the size of the holes to be drilled in the panel.

Note: fixing kit BQFK-001 for the front panel assembly to be ordered separately.

FRONT PANEL BQFR-001

CHARACTERISTICS

Panel manufactured from 3.0 mm thick sheet aluminium, it can be screwed from outside through special holes.

PAINT FINISH

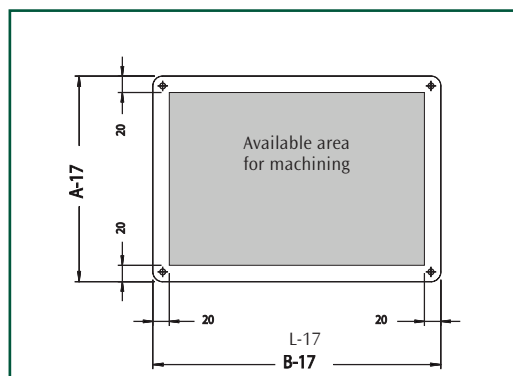
Thermosetting epoxy polyester powder for aluminium coating (RAL 9006 silver).

SUPPLY

Panel complete with mounting accessories.

SELECTION

According to customer specifications, with dimensions given in millimeters, ETA manufactures the drilled front panel and the corresponding operator panel enclosure BQC.



Note: if a hinged panel is required, specify this option in the order and order the BQWA-003 hinges separately (see page 265).

Note: for the desk configuration with direct fixing, order the rear panel BQBP-002.

REAR PANEL BQBP-001 / BQBP-002

CHARACTERISTICS

Panel manufactured from 3.0 mm thick sheet aluminium, it can be screwed from outside through special holes.

PAINT FINISH

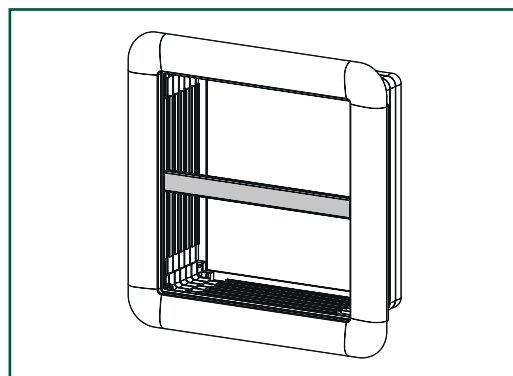
Thermosetting epoxy polyester powder for aluminium coating (RAL 9006 silver).

SUPPLY

Single panel complete with mounting accessories.

SELECTION

According to customer specifications, with dimensions given in millimeters, ETA manufactures the rear panel.



SEPARATION PROFILE BQPR-001

It allows to divide the operator panel enclosure into two areas and it can be installed vertically and horizontally.

CHARACTERISTICS

Manufactured from 1.5 mm thick sheet steel.

PAINT FINISH

Thermosetting epoxy polyester powder for aluminium coating (RAL 9006 silver).

SUPPLY

Single piece complete with mounting accessories.

SELECTION

The separation profile dimensions match the BQFR front panel dimensions.



SUSPENSION ARM SYSTEM

FEATURES

Bioniq light is the pendant system for control interfaces with a sober and essential design: a flexible system with a high quality/price ratio and fully modular on the three dimensional axes.

- The BQLC operator panel enclosure and the BQLK keyboard enclosure are customizable in width, height and depth, on the base of the man-machine interface that have to be inserted.

- The BQPA pendant arm system can be composed on the base of the type of application (it can be fixed on the roof, on the wall or on pedestal).
- Wide range of accessories.

Suspension
arm system



CHARACTERISTICS

Structure manufactured from anodized aluminium from extruded profiles, joined by means of die-cast and painted angular pieces.

PROTECTION RATING

NEMA 1 in compliance with UL508A; UL5 0.

SELECTION

To select the light operator panel enclosure BQLC, indicate the generic family code, classified according to depth as in the table hereunder, and simply indicate the width and height dimensions. When ordering, also specify if the suspension arm shall be fixed to the roof (T) or bottom (B) of the enclosure or if it is a desk version (P).

WIDTH AND HEIGHT

Thanks to a high degree of customization, you can choose the width (L) and the height (A) of the operator panel on the base of the equipment that have to be inserted.

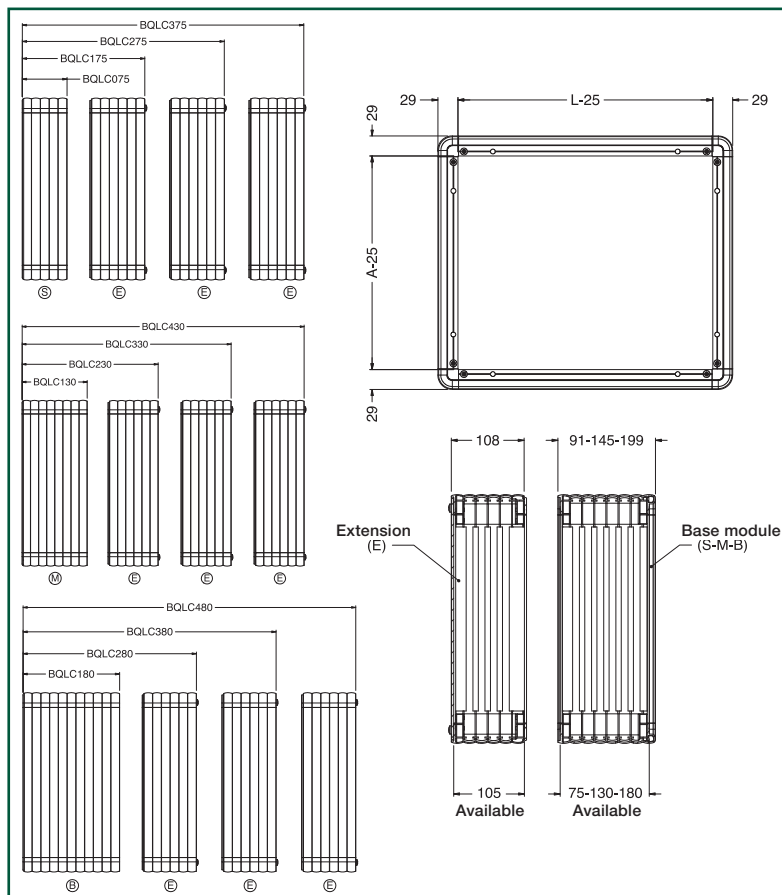
DEPTH

The enclosure depth must be selected among modules with three different depths:

- small module (S) with useful internal depth of 75 mm
- medium module (M) with useful internal depth of 130 mm
- big module (B) with useful internal depth of 180 mm.

The base modules can be expanded with extensions (E) with useful internal depth of 100 mm.

Note: BQLH handles to be ordered separately (see page 264).



SELECTION PROCEDURE

		W+60 mm	H+60 mm	T/B/P
S	B Q L C 0 7 5			
M	B Q L C 1 3 0			
B	B Q L C 1 8 0			
S + E	B Q L C 1 7 5			
M + E	B Q L C 2 3 0			
B + E	B Q L C 2 8 0			
S + 2E	B Q L C 2 7 5			
M + 2E	B Q L C 3 3 0			
B + 2E	B Q L C 3 8 0			
S + 3E	B Q L C 3 7 5			
M + 3E	B Q L C 4 3 0			
B + 3E	B Q L C 4 8 0			

T = fixing of BQPA pendant arm system on BQLC enclosure roof

B = fixing of BQPA pendant arm system on BQLC enclosure bottom

P = fixing of BQLC enclosure on the desk

- All dimensions are given in mm
- For dimensions above 999 mm, please contact the ETA sales office
- Complete the configuration with BQLBP rear panel, and if needed with BQWA-003 hinges and BQFR front panel if the unit is not fixed directly to the enclosure
- The minimum depth of the BQLC operator panel enclosure shall be 130 mm (if a pendant arm system is used)

Suspension arm system



CHARACTERISTICS

Structure manufactured from anodized aluminium from extruded profiles, joined by means of die-cast and painted angular pieces.

PROTECTION RATING

NEMA 1 in compliance with UL508A; UL50.

SELECTION

To select the keyboard housing BQLK, indicate the generic family code, classified according to depth as in the table hereunder, and simply indicate the width and height dimensions.

WIDTH AND HEIGHT

Thanks to a high degree of customization, you can chose the width (L) and the height (A) of the operator panel on the base of the equipment that have to be inserted.

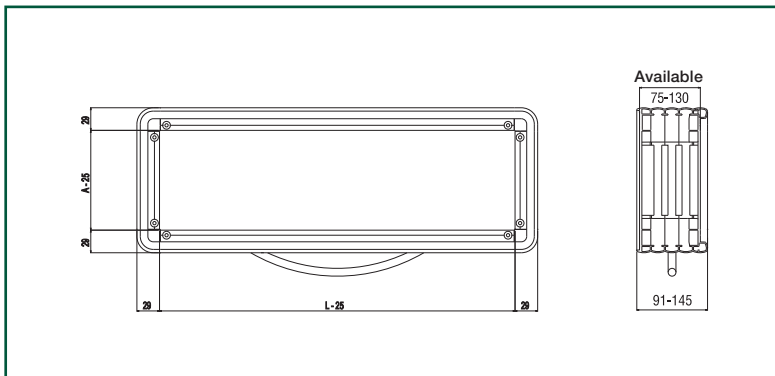
DEPTH

The enclosure depth must be selected among modules with two different depths:

- small module (S) with useful internal depth of 75 mm
- medium module (M) with useful internal depth of 130 mm.

In this case, the extension modules cannot be used.

Note: to be ordered separately the joining profile, the operator panel enclosure BQLKU-001, the rubber sleeve BQLM-001 for cable passage and the handles BQLH, see page 264. As an alternative to BQLKU-001, order the 90-degree connection bracket BQLKU-004, see page 265.



SELECTION PROCEDURE

		W+60 mm	H+60 mm					
B	Q	L	K	0	7	5		
B	Q	L	K	1	3	0		

- All dimensions are given in mm
- For dimensions above 999 mm, please contact the ETA sales office
- Complete the configuration with BQLBP rear panel, and if needed with BQWA-003 hinges and BQFR front panel if the unit is not fixed directly to the enclosure

FRONT PANEL BQLFR-001

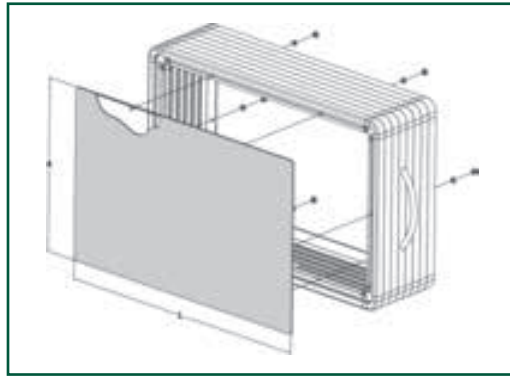
CHARACTERISTICS

Panel manufactured from 3.0 mm thick aluminium sheet, it can be screwed from inside through the studs welded on the panel.

SUPPLY

Includes 1 panel complete with mounting accessories.

Note: fixing kit BQFK-001 for the front panel assembly to be ordered separately.



SELECTION

According to customer specifications, with dimensions given in millimeters, ETA manufactures the drilled front panel and the corresponding operator panel housing BQLC.

Note: if required, specify the size of the holes to be drilled in the panel.

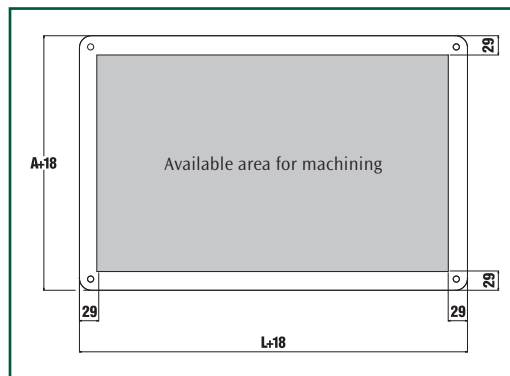
REAR PANEL BQLBP-001/BQLBP-002

CHARACTERISTICS

Panel manufactured from 3.0 mm thick aluminium sheet, it can be screwed from inside through the studs welded on the panel.

SUPPLY

Includes 1 panel complete with mounting accessories.



SELECTION

According to customer specifications, with dimensions given in millimeters, ETA manufactures the rear panel.

Note: if a hinged panel is required, specify this option in the order and order the BQWA-003 hinges separately.

Note: for the desk configuration with direct fixing, order the rear panel BQLBP-002.

SEPARATION PROFILE BQLPR-001

It allows to divide the operator panel enclosure into two areas; it can be installed vertically and horizontally.

CHARACTERISTICS

Manufactured from 1.5 mm thick sheet steel.

PAINT FINISH

Epoxy polyester powder for aluminium coating (RAL 9006 silver).

SUPPLY

Includes 1 piece complete with mounting accessories.



SELECTION

The separation profile dimensions match the BQLFR front panel dimensions.

BQLH HANDLE

CHARACTERISTICS

Handle made from alloyed steel.

PAINT FINISH

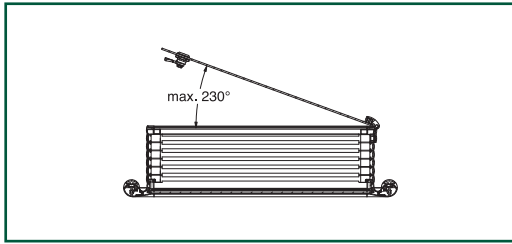
Aluminium (RAL 9006 silver).

SUPPLY

Includes 1 piece with mounting accessories:

- BQLH-001 handle L=150 mm
- BQLH-002 handle L=225 mm
- BQLH-004 handle L=360 mm.





HINGE BQWA-003

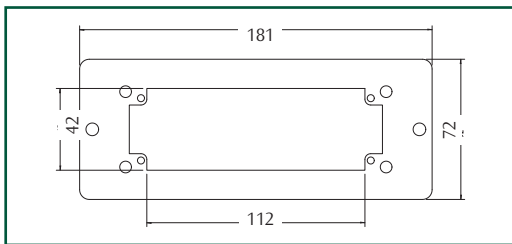
It allows to open the rear panel BQPB and BQLBP.

CHARACTERISTICS

Manufactured from alloyed zinc, it opens at 230°.

SUPPLY

Includes 1 piece complete with mounting accessories.

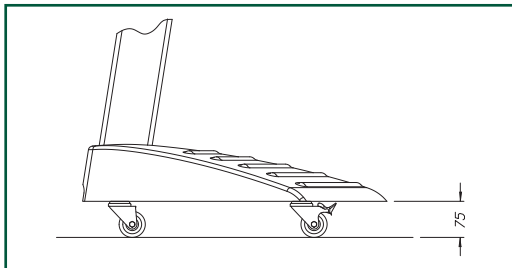


FLANGE FOR FLOPPY DISK DOOR SIEMENS BQFD-002

Flange manufactured from 3.0 mm thick sheet aluminium to contain the Siemens CNC. It allows to lodge the device on the side of the enclosure.

SUPPLY

Includes 1 piece.



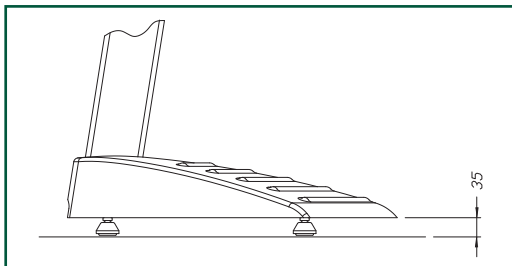
CASTOR FOR BIONIQ DESK BQRU-001

CHARACTERISTICS

Support of pressed sheet metal with chrome-plated zinc details; high-quality polyamide castor.

SUPPLY

Includes 1 piece complete with mounting hardware.



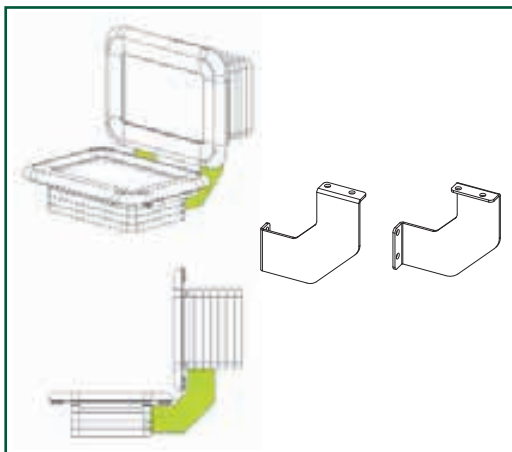
FOOT FOR BIONIQ DESK BQPL-001

CHARACTERISTICS

Swivelling foot consisting of a polyamide base and a galvanized steel support.

SUPPLY

Includes 1 piece.



SQUARE-ANGLE CONNECTION BRACKET FOR BIONIQ BQKU-003 FOR BIONIQ LIGHT BQLKU-004

It allows to fix a keyboard to the operator panel enclosure of the bioniq/bioniq light system at 90°.

CHARACTERISTICS

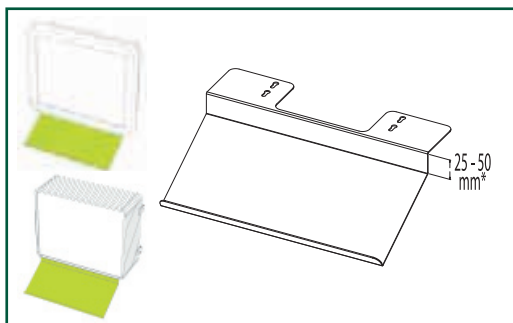
Bracket made from 3.0 mm thick sheet steel.

PAINT FINISH

Thermosetting epoxy polyester powder for aluminium coating RAL 9006.

SUPPLY

Includes 2 pieces complete with mounting hardware.



KEYBOARD SUPPORT FOR BIONIQ BQSK-001 FOR BIONIQ LIGHT BQLSK-001

It allows to fix a keyboard to the operator panel enclosure of the bioniq/bioniq light system.

CHARACTERISTICS

Manufactured from 2.0 mm thick sheet steel.

PAINT FINISH

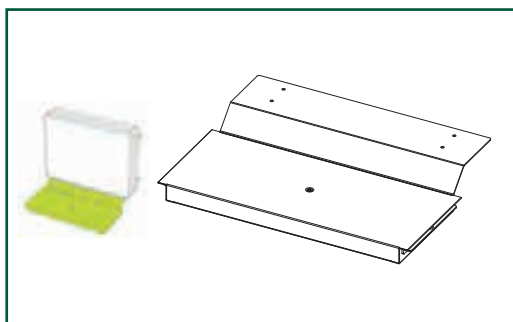
Thermosetting epoxy polyester powder for aluminium coating RAL 9006.

SUPPLY

Includes 1 piece complete with screws to fix to the enclosure.

Note: when ordering, indicate the keyboard footprint (WxD in mm).

* Height of profile for bioniq light 25 mm, height of profile for bioniq 50 mm



KEYBOARD SHELF WITH MOUSE PAD FOR BIONIQ BQRM-001 FOR BIONIQ LIGHT BQLRM-001

CHARACTERISTICS

Keyboard shelf with mouse pad manufactured from 1.0 mm thick sheet steel, fixing bracket manufactured from 2.0 mm thick sheet steel.

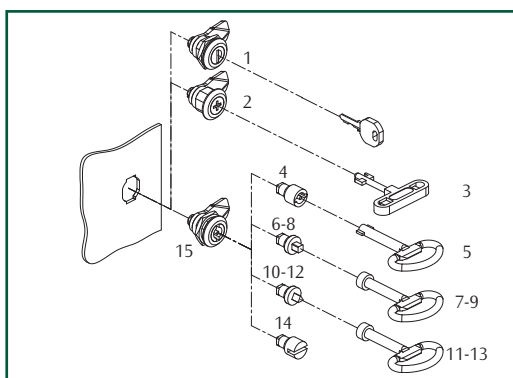
PAINT FINISH

Thermosetting epoxy polyester powder for aluminium coating RAL 9006.

SUPPLY

Includes 1 piece complete with screws to fix to the enclosure.

Note: when ordering, indicate the keyboard footprint (WxD in mm).



LOCKING SYSTEMS

The locking systems for bioniq and bioniq light are conceived for the secure locking of the rear panel.

SUPPLY

Each lock consists of a key, an insert and a block with fixing lever.

LOCKING SYSTEM		
LOCKSET CODE FOR PANEL FIXING BWE	REF.	DESCRIPTION
BWE030	1	LOCK WITH KEY
BWE050	2	FIAT LOCK
BWE210	3	FIAT KEY
BWE010	4	ETA INSERT
BWE096	5	ETA KEY
BWE060	6	INSERT ∇ 6 MM
BWE260	7	KEY ∇ 6 MM
BWE070	8	INSERT ∇ 7 MM
BWE268	9	KEY ∇ 7 MM
BWE080	10	INSERT ∇ 6.5 MM
BWE273	11	KEY ∇ 6.5 MM
BWE090	12	INSERT ∇ 8 MM
BWE278	13	KEY ∇ 8 MM
BWE100	14	SCREW DRIVER INSERT
BWE140	15	LOCK WITHOUT INSERT



The bioniq/bioniq light pendant arm system must be made up according to the type of arm to be assembled, as projection from above or from a wall require a different combination of elements.

CHARACTERISTICS

Tubular structure manufactured from extruded aluminium; other elements made from die-cast pieces.

PAINT FINISH

Section and connection tube painted with thermosetting epoxy polyester powder for aluminium coating (RAL 9006 silver). Rotary turret, enclosure coupling, flanges and angular piece, medium grey painting.

SELECTION

The suspension system is composed of elements (wall flange, turning turret, angular pieces, joints) and customizable modular segments (segment A and final tube T), whose codes are given in the table.

The arm must then be assembled with the operator panel enclosure, and with the keyboard enclosure if available.

LENGTH

The modular sections of the arm (BQAA segment or BQEC tube) are available in fixed lengths (see the table) or can be customized.

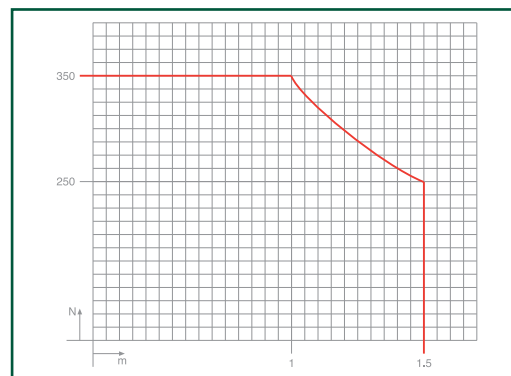
Note: the suspension system must be fixed to the base.

SELECTION PROCEDURE

DESCRIPTION	CODE
ROTARY TURRET "11"	B Q R 0 1 1
WALL FLANGE "10"	B Q F 0 1 0
WALL COUPLING "15"	B Q R 0 1 5
ANGULAR PIECE "30"	B Q E 0 3 0
ANGULAR PIECE "35"	B Q E 0 3 5
ENCLOSURE COUPLING BQC AND BQLC "40"	B Q J 0 4 0
COUPLING FOR SIMPLE ENCLOSURE BST/BSTF "50"	B Q J 0 5 0
SECTION "A" L=500 MM	B Q A A 0 5 0 0
SECTION "A" L=750 MM	B Q A A 0 7 5 0
SECTION "A" L=1000 MM	B Q A A 1 0 0 0
SECTION "A" L=1500 MM	B Q A A 1 5 0 0
SECTION "A" L=	B Q A A
Note: max length for section "A"=1500 mm.	
TUBE "T" L=250 MM	B Q E C 0 2 5 0
TUBE "T" L=500 MM	B Q E C 0 5 0 0
TUBE "T" L=750 MM	B Q E C 0 7 5 0
TUBE "T" L=1000 MM	B Q E C 1 0 0 0
TUBE "T" L=	B Q E C

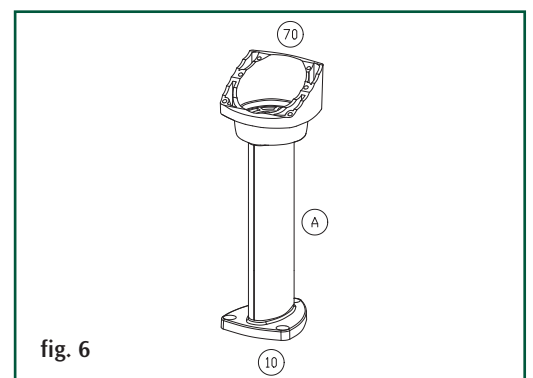
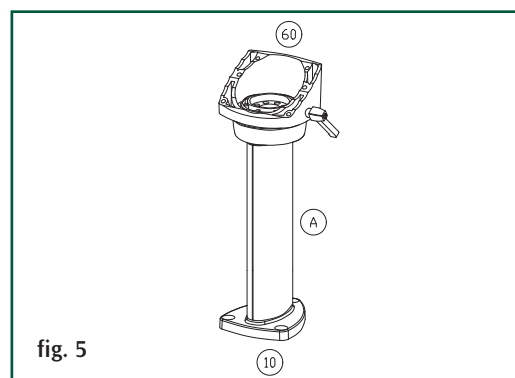
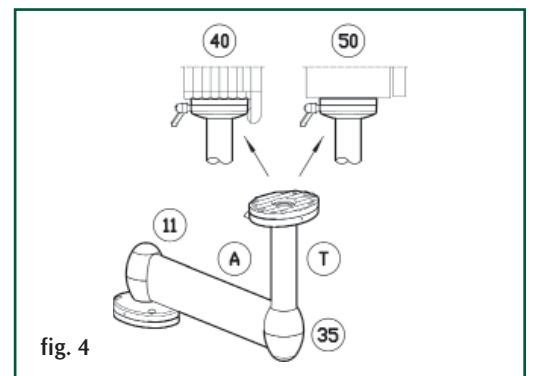
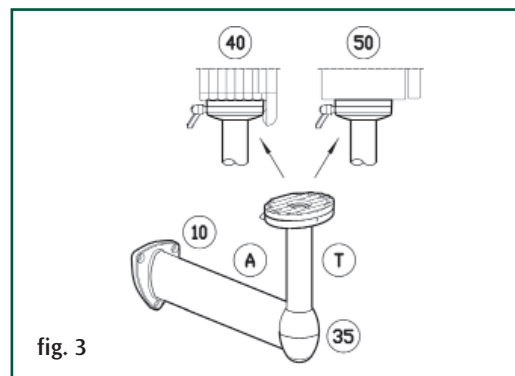
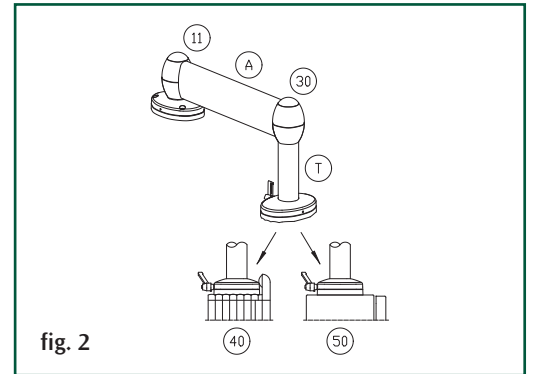
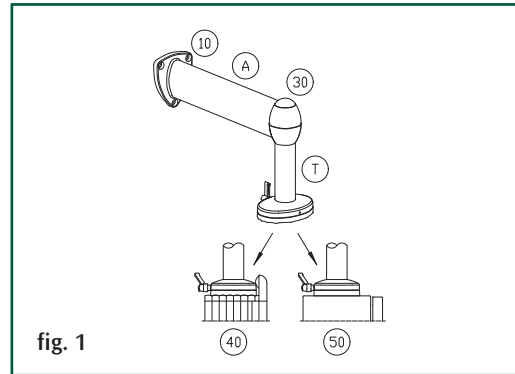
LOAD DIAGRAM

The basic parameter for the selection of the pendant arm system is the mechanical load it must bear in different situations, which depends on the weight of enclosures and the protruding arm length. The following diagram provides a correct identification of the mechanical load capacity of the pendant arm system, based on its size and the weight of all enclosure and arm components.



Suspension arm system

FIXING SOLUTIONS FOR THE PENDANT ARM SYSTEM



ELEMENTS AND SEGMENTS

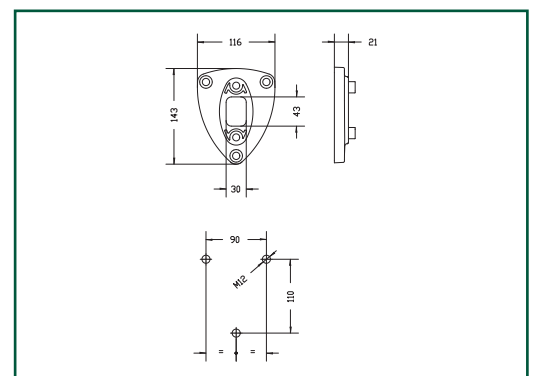


WALL MOUNT FLANGE "10" BQF010

Weight: kg. 0.251.

SUPPLY

Includes 1 piece with mounting and fixing accessories.



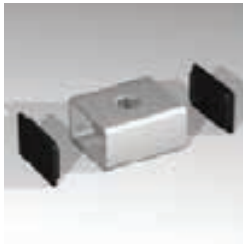
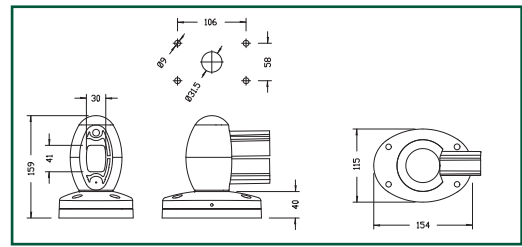


TOP MOUNTED SWIVEL "11" BQR011

Weight: kg. 1.780.
Rotation 300°.

SUPPLY

Includes 1 piece with mounting accessories.

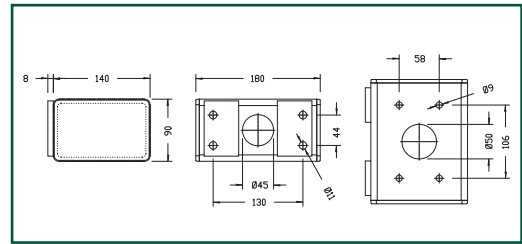


WALL COUPLING "15" BQR015

Weight: kg. 4.850.

SUPPLY

Includes 1 piece with mounting accessories.



INTERMEDIATE ELBOW "30" BQE030

Weight: kg. 0.630.

SUPPLY

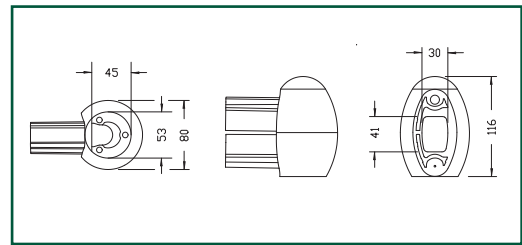
Includes 1 piece with mounting accessories.

INTERMEDIATE ELBOW "35" BQE035

Weight: kg. 0.630.

SUPPLY

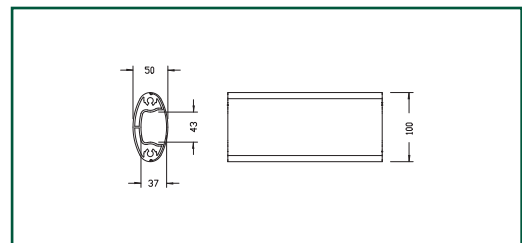
Includes 1 piece with mounting accessories.



HORIZONTAL ARM "A" BQAA

SUPPLY

Includes 1 piece complete with cover to fix the arm to the top mounted swivel BQR011 and to the intermediate elbow BQE030/BQE035.



HORIZONTAL ARM "A"

BQAA CODE	LENGTH MM	WEIGHT KG
BQAA0500	400	1.789
BQAA0750	750	2.684
BQAA1000	1000	3.578
BQAA1500	1500	5.367



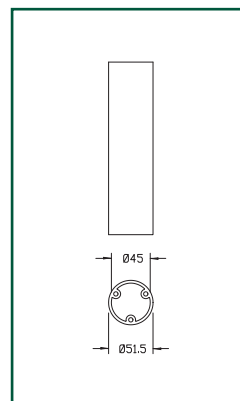
VERTICAL TUBE "T" BQEC

SUPPLY

Includes 1 piece with mounting accessories.

VERTICAL TUBE "T"

BQEC CODE	LENGTH MM	WEIGHT KG
BQEC0250	250	0.441
BQEC0500	500	0.883
BQEC0750	750	1.324
BQEC1000	1000	1.765



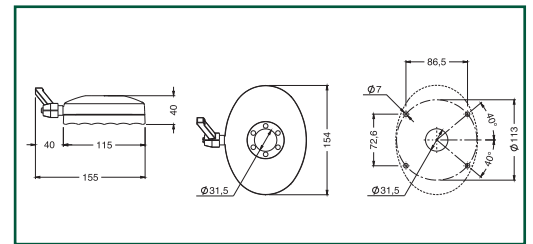


ENCLOSURE COUPLING FOR BQC "40" BQJ040

Weight: kg. 0.930.
Rotation 300°.

SUPPLY

Includes 1 piece with mounting accessories.

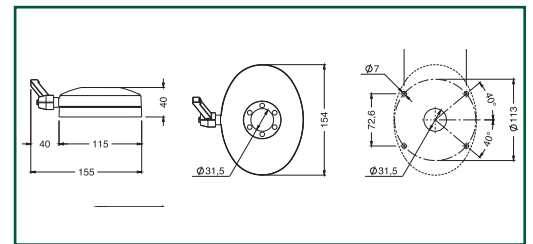


ENCLOSURE COUPLING FOR BST "50" BQJ050

Weight: kg. 0.930.
Rotation 300°.

SUPPLY

Includes 1 piece with mounting accessories.

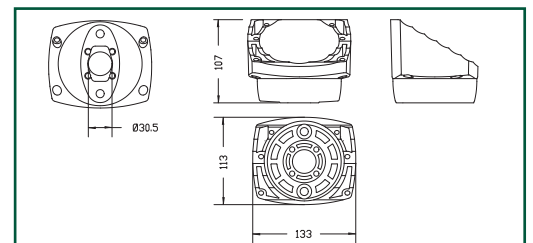


FIXED FLANGE FOR ENCLOSURE SUPPORT BQFC001

Weight: kg. 1.066.

SUPPLY

Includes 1 piece with mounting accessories.

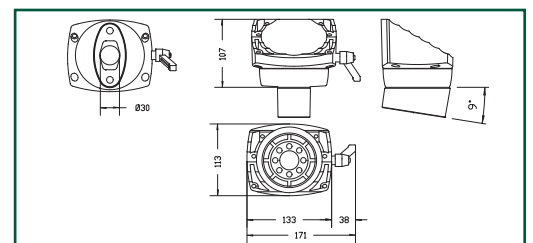


ROTATING FLANGE FOR ENCLOSURE SUPPORT BQFC002

Weight: kg. 1.228.
Rotation 300°.

SUPPLY

Includes 1 piece with mounting accessories.



ADJUSTABLE COUPLING BQGR-001

It allows to orientate the operator panel enclosure optimally.

CHARACTERISTICS

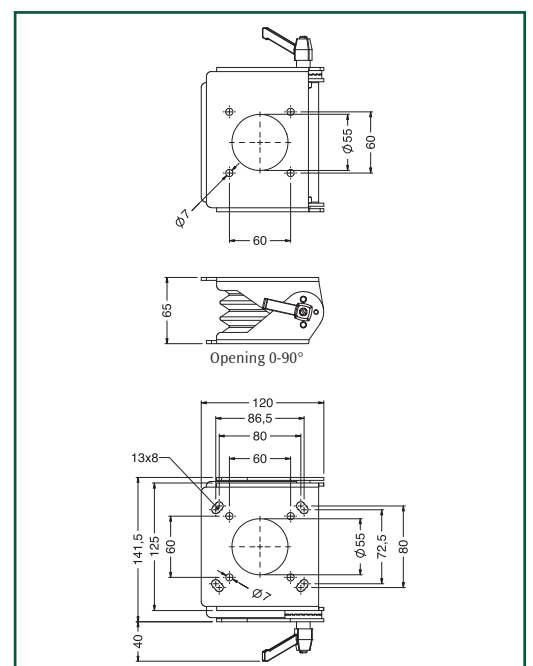
Coupling made from 3.0 mm thick sheet steel with adjustment rings. Neoprene bellows with PVC flanges and locking lever.

PAINT FINISH

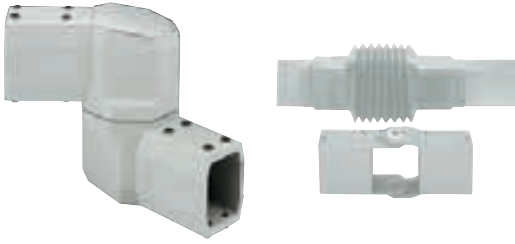
Colour: medium grey.

SUPPLY

Includes 1 piece complete with mounting hardware.



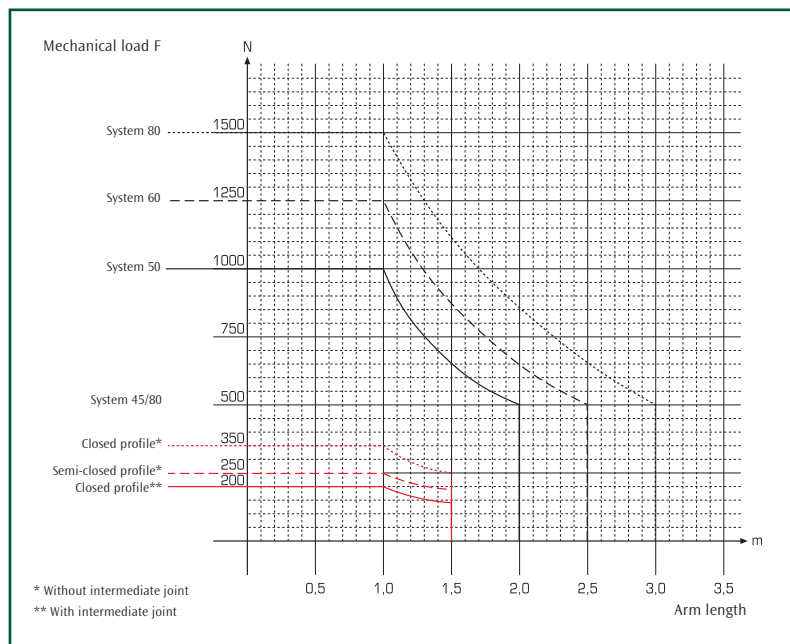
PENDANT ARM SYSTEM FOR MEDIUM LOADS



In addition to the suspension system BQPA, ETA is able to provide adequate systems to a large variety of loading needs and cable passing: from the system for medium loads (closed profiles 45/60, 50, 60, 80) to the suspension system B70/90 characterized by an ergonomic design and the ability to obtain various combinations.

LOAD DIAGRAM

The load diagram indicates the maximum load allowed for each size of the pendant arm system. The system dimensions also allow the application of an addition 75 kg load for 5 seconds without any plastic deformation.



SYSTEM 45/60

CLOSED PROFILE SYSTEM 45/60	
BP45 CODE	DESCRIPTION
BP456025	CLOSED PROFILE 45 x 60 x 250
BP456050	CLOSED PROFILE 45 x 60 x 500
BP456075	CLOSED PROFILE 45 x 60 x 750
BP4560100	CLOSED PROFILE 45 x 60 x 1000
BP4560125	CLOSED PROFILE 45 x 60 x 1250
BP4560150	CLOSED PROFILE 45 x 60 x 1500
BP4560200	CLOSED PROFILE 45 x 60 x 2000

SYSTEM COMPONENTS 45/60	
B45 CODE	DESCRIPTION
B45001	FLANGE COUPLING
B45002	TILTED FLANGE COUPLING
B45003	ANGULAR FLANGE COUPLING
B45004	ANGULAR TILTED FLANGE COUPLING
B45005	BASE COUPLING
B45006	TILTED BASE COUPLING
B45007	TILTED SWIVELING COUPLING
B45008	ANGULAR TILTED SWIVELING COUPLING
B45009	ANGULAR PIECE
B45010	STRENGTHENED ANGULAR PIECE
B45011	QUICK-MOUNT COUPLING
B45012	INTERMEDIATE COUPLING
B45013	ROTARY TURRET
B45014	WALL COUPLING FOR HORIZONTAL ENCLOSURE
B45015	WALL COUPLING FOR VERTICAL ENCLOSURE
B45016	ROTARY BASE
B45017	SUPPORTING BASE/WALL FLANGE
B45018	BASE FOR MOVABLE POLE

Suspension arm system

SYSTEM 50

Available on request.

SYSTEM 50 PROFILES	
BP50 CODE	DESCRIPTION
BP505025	PROFILE L=250 MM
BP505050	PROFILE L=500 MM
BP505075	PROFILE L=750 MM
BP5050100	PROFILE L=1000 MM
BP5050125	PROFILE L=1250 MM
BP5050150	PROFILE L=1500 MM
BP5050200	PROFILE L=2000 MM
BP5050300	PROFILE L=3000 MM

ADDITIONAL SYSTEM 50 COMPONENTS

B50 CODE	DESCRIPTION
B50001	ANGULAR PIECE
B50002	STRENGTHENED ANGULAR PIECE
B50003	WALL FLANGE
B50004	WALL COUPLING
B50005	WALL COUPLING
B50006	ANGULAR COUPLING
B50007	TILTED SWIVELING COUPLING
B50008	STANDARD COUPLING, FLANGE
B50009	INTERMEDIATE COUPLING
B50010	ROTARY TURRET
B50608001	15° TILTING ADAPTER
B50608002	30° TILTING ADAPTER
B50608003	60° TILTING ADAPTER

SYSTEM 60

Available on request.

SYSTEM 60 PROFILES	
BP60 CODE	DESCRIPTION
BP606025	PROFILE L=250 MM
BP606050	PROFILE L=500 MM
BP606075	PROFILE L=750 MM
BP6060100	PROFILE L=1000 MM
BP6060125	PROFILE L=1250 MM
BP6060150	PROFILE L=1500 MM
BP6060200	PROFILE L=2000 MM
BP6060300	PROFILE L=3000 MM

ADDITIONAL SYSTEM 60 COMPONENTS

B60 CODE	DESCRIPTION
B60001	ANGULAR PIECE
B60002	STRENGTHENED ADAPTER
B60003	BASE FOR MOVABLE POLE
B60004	WALL FLANGE
B60005	WALL COUPLING
B60006	WALL COUPLING
B60007	ANGULAR COUPLING, FLANGE
B60008	TILTED SWIVELING COUPLING
B60009	STANDARD COUPLING, FLANGE
B60010	INTERMEDIATE COUPLING
B60011	ROTARY TURRET
B50608001	15° TILTING ADAPTER
B50608002	30° TILTING ADAPTER
B50608003	60° TILTING ADAPTER

SYSTEM 80

Available on request.

SYSTEM 80 PROFILES	
BP80 CODE	DESCRIPTION
BP808025	PROFILE L=250 MM
BP808050	PROFILE L=500 MM
BP808075	PROFILE L=750 MM
BP8080100	PROFILE L=1000 MM
BP8080125	PROFILE L=1250 MM
BP8080150	PROFILE L=1500 MM
BP8080200	PROFILE L=2000 MM
BP8080300	PROFILE L=3000 MM

ADDITIONAL SYSTEM 80 COMPONENTS

B80 CODE	DESCRIPTION
B80001	ANGULAR PIECE
B80002	STRENGTHENED ANGULAR PIECE
B80003	BASE FOR MOVABLE POLE
B80004	WALL FLANGE
B80005	WALL COUPLING FOR CABLE ENTRY
B80006	WALL COUPLING FOR CABLE ENTRY
B80007	ANGULAR COUPLING
B80008	TILTED SWIVELING COUPLING
B80009	STANDARD COUPLING, FLANGE
B80010	INTERMEDIATE COUPLING
B80011	ROTARY TURRET
B50608001	15° TILTING ADAPTER
B50608002	30° TILTING ADAPTER
B50608003	60° TILTING ADAPTER

ADDITIONAL ACCESSORIES

B98 CODE	DESCRIPTION
B9805129	ROTATION ANGLE LIMITER FOR COUPLINGS SIZE 45/60
B9805176	ROTATION ANGLE LIMITER FOR COUPLINGS 50, 60, 80
B9805063	ROTATION ANGLE LIMITER FOR SYSTEMS 50 AND 60
B9805062	ROTATION ANGLE LIMITER FOR SYSTEMS 80
B9805130	ROTATION ANGLE LIMITER FOR TILTED SWIVELING COUPLINGS SIZE 45/60, 50, 60, 80
B9805132	ROTATION ANGLE LIMITER FOR ARTICULATED COMPONENTS SIZE 45/60
B9805177	ROTATION ANGLE LIMITER FOR ARTICULATED COMPONENTS 50, 60, 80

PENDANT ARM SYSTEM B 70/90



The modular system B 70/90, characterized by an advanced design and an incredibly easiness of assembling and cable passing, allows the creation of numerous combinations and the obtaining of multiple system solutions and variations.

The pipes in anodized aluminium, the absence of corners and the junction linearity ensure the system resistance over time, while the modular prosecution of the various coupling with the adapter joints ensure its flexibility.

CHARACTERISTICS

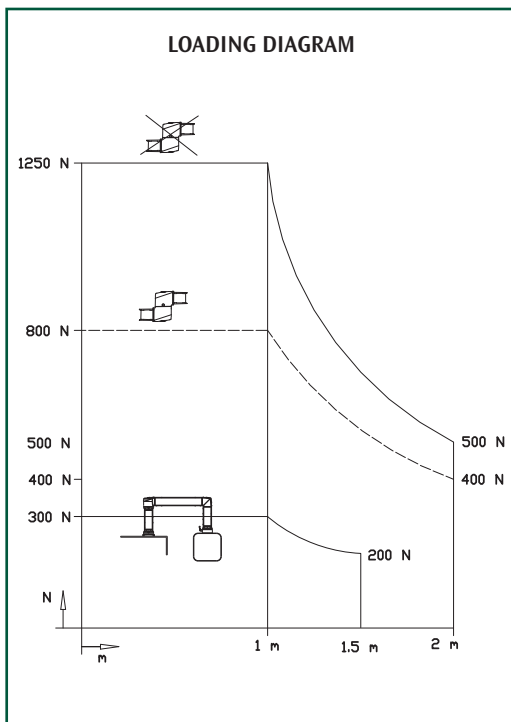
- anodized aluminium pipes
- die-cast aluminium components
- POM bearings
- neoprene seals.

PAINT FINISH

- couplings, supports anthracite gray RAL 7016
- connection pipes: anodized aluminium.

PROTECTION RATING

IP65.



SYSTEM COMPONENTS B 70/90

B CODE	DESCRIPTION
B70001	FLANGE
B70002	FLANGE WITH ANGULAR PIECE
B70003	15° TILTED FLANGE (REAR TILTING)
B70004	15° TILTED FLANGE (FRONT TILTING)
B70005	TILTED FLANGE WITH ANGLE (REAR TILTING)
B70006	TILTED FLANGE WITH ANGLE (FRONT TILTING)
B70007	BASE COUPLING
B70008	15° TILTED BASE COUPLING (REAR TILTING)
B70009	15° TILTED BASE COUPLING (FRONT TILTING)
B70010	FLANGE 48
B70011	ANGULAR REDUCER RD48
B70012	ANGULAR PIECE
B70013	ROTARY ANGULAR PIECE
B70014	MAX. 30° TILTING ADAPTER
B70015	ADAPTER (NARROW PROFILES)
B70016	ROTARY TURRET
B70017	S WALL COUPLING
B70018	W WALL COUPLING
B70019	W INTERMEDIATE COUPLING
B70020	WALL FLANGE FOR POLE BASE
B70021	ROTARY BASE
B70022	BASE FOR MOVABLE POLE

RECTANGULAR PIPES

BP CODE	DESCRIPTION
BP709025	RECTANGULAR PIPES OF ANODIZED ALUMINUM, LENGTH 70 x 90 x 250 MM
BP709050	RECTANGULAR PIPES OF ANODIZED ALUMINUM, LENGTH 70 x 90 x 500 MM
BP709075	RECTANGULAR PIPES OF ANODIZED ALUMINUM, LENGTH 70 x 90 x 750 MM
BP7090100	RECTANGULAR PIPES OF ANODIZED ALUMINUM, LENGTH 70 x 90 x 1000 MM
BP7090125	RECTANGULAR PIPES OF ANODIZED ALUMINUM, LENGTH 70 x 90 x 1250 MM
BP7090150	RECTANGULAR PIPES OF ANODIZED ALUMINUM, LENGTH 70 x 90 x 1500 MM
BP7090175	RECTANGULAR PIPES OF ANODIZED ALUMINUM, LENGTH 70 x 90 x 1750 MM
BP7090200	RECTANGULAR PIPES OF ANODIZED ALUMINUM, LENGTH 70 x 90 x 2000 MM
BP709038	RECTANGULAR PIPES OF ALUMINUM, LENGTH 70 x 90 x 380 MM
BP709063	RECTANGULAR PIPES OF ALUMINUM, LENGTH 70 x 90 x 630 MM
BP709088	RECTANGULAR PIPES OF ALUMINUM, LENGTH 70 x 90 x 880 MM
BP7090113	RECTANGULAR PIPES OF ALUMINUM, LENGTH 70 x 90 x 1130 MM
BP7090138	RECTANGULAR PIPES OF ALUMINUM, LENGTH 70 x 90 x 1380 MM
BP7090100B	OPEN PROFILE 70 x 90 x 1000 MM FI X ED ON THE SIDE
BP7090200B	OPEN PROFILE 70 x 90 x 2000 MM FI X ED ON THE SIDE

CYLINDRICAL PIPES

BP CODE	DESCRIPTION
BP4825	CYLINDRICAL PIPES LENGTH 48 x 4 x 250 MM
BP4875	CYLINDRICAL PIPES LENGTH 48 x 4 x 500 MM
BP4850	CYLINDRICAL PIPES LENGTH 48 x 4 x 750 MM
BP48100	CYLINDRICAL PIPES LENGTH 48 x 4 x 1000 MM

ADDITIONAL ACCESSORIES

B CODE	DESCRIPTION
B9806590000	PLUG SET
B9805296000	ROTATION ANGLE LIMITER
B9808012800	INDUSTRIAL WHEELS
B9808015300	WHEELS FOR ELECTRICAL EQUIPMENT
B9808012900	ADJUSTABLE FEET
B9808014100	FLOOR BRACKETS



The elegant, innovative and functional design concepts of bioniq are available also in the pedestal system, a solution that allows to fix the operator panel and keyboard enclosure to the pedestal for both standard and light options.

The fixing can be:

- direct (fig. B for the standard option and D for the light option)
- on the profile through a flange (fig. A for the standard option and C for the light option).

CHARACTERISTICS

The pedestal is manufactured from the following materials:

- base of sheet steel
- base cover of thermoformed material
- pedestal section of extruded aluminium.

SUPPLY

For the composition of the pedestal system, see selection method for:

- operator panel enclosure (BQC or BQLC)
- optional keyboard enclosure (BQK or BQLK)
- pedestal base BQBA-001 (with feet) or BQBA-002 (with wheels) and pedestal section BQSU (see page 276).

Note: for applications as the ones showed in pictures A and C, order separately the pedestal flange BQFC-002.

Note: for application as the ones showed in pictures B and D, order separately the flange BQF010 and the adapter panel BQBP-002 or BQLBP-002 (see page 276).



BIONIQ LIGHT PEDESTAL SYSTEM

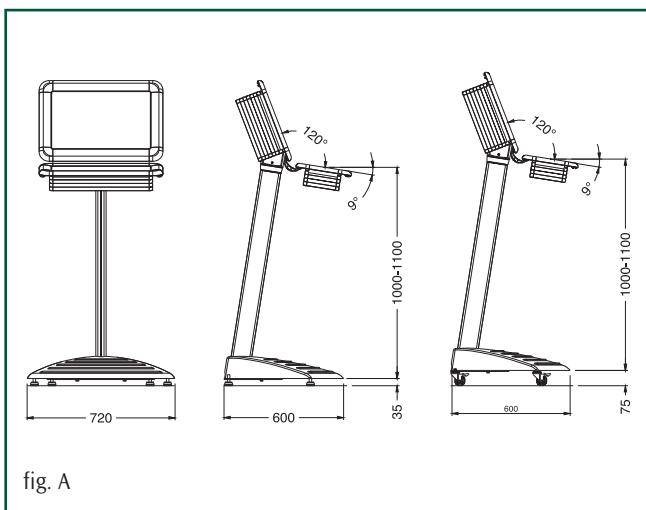


fig. A

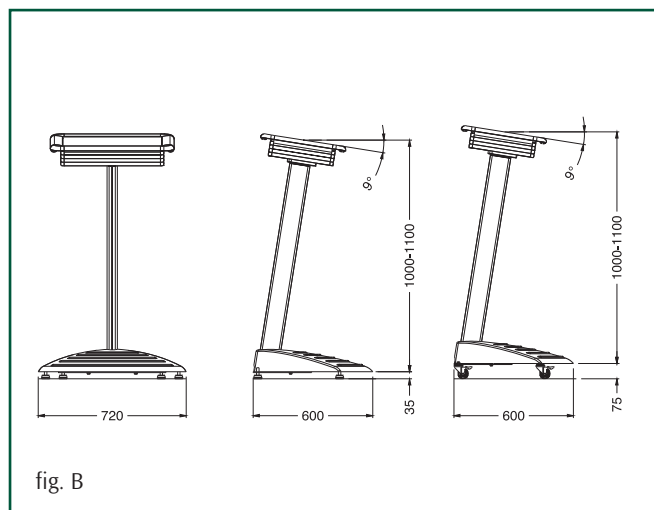
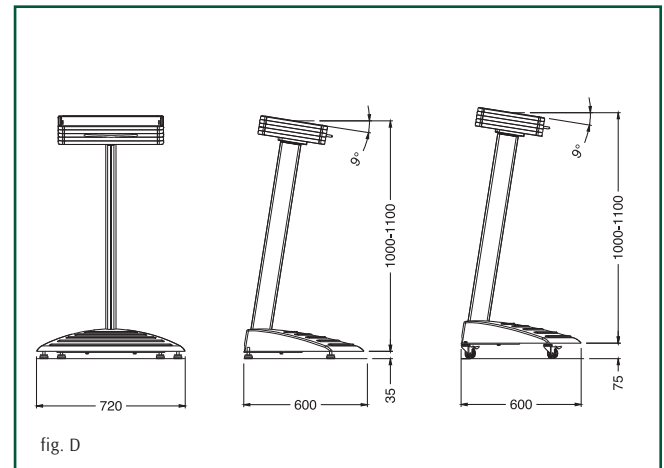
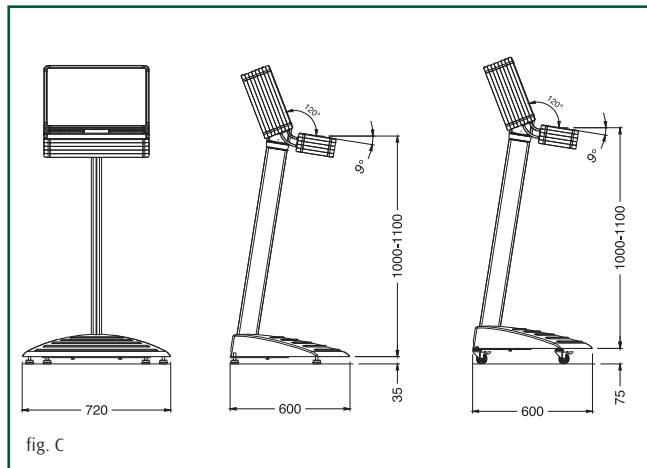


fig. B

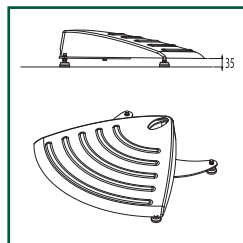
Note: dimensions of the height do not include castors or feet (for these components see the drawings on page 276).

Suspension arm system

BIONIQ LIGHT PEDESTAL SYSTEM



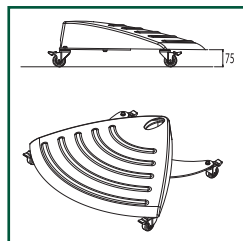
Note: dimensions of the height do not include castors or feet (for these components see the drawings below).



PEDESTAL BASE BQBA

The base for bioniq on pedestal is available in two alternative versions:

- desk base complete with 3 levelling feet
- desk base complete with 3 castors.



DESK BASE BQBA

BQBA CODE	DESCRIPTION
BQBA-001	DESK BASE FOR PEDESTAL WITH FEET
BQBA-002	DESK BASE FOR PEDESTAL WITH CASTORS

Note: to replace 1 foot order 1 BQBL-001 (see page 265); to replace 1 wheel without block order 1 BQRU-001 (see page 265); to replace 1 wheel with block order 1 BQRU-002.

PEDESTAL SECTION BQSU

The bioniq pedestal section is available in two different heights.

PEDESTAL SECTION BQSU

BQSU CODE	HEIGHT FROM BASE TO KEYBOARD ENCLOSURE
BQSU-001	1000
BQSU-002	1100

Note: supports with different heights available upon request. For fixing as shown in Fig. A/C, complete the order with the desk flange BQFC (see page 270). Instead, for direct fixing as shown in Fig. B/D, order the adapter panel BQBP-002 and the corresponding flange BQF010 (see page 268).

REAR PANEL FOR SECTION FIXING BQBP-002/BQLBP-002

The rear panel, properly drilled, allows to fix the pedestal section directly to the enclosure (as shown in Fig. B/D).

REAR PANEL BQBP/BQLBP

BQBP/BQLBP CODE	DESCRIPTION
BQBP-002	REAR PANEL FOR DIRECT FIXING ON BIONIQ
BQLBP-002	REAR PANEL FOR DIRECT FIXING ON BIONIQ LIGHT

Note: for more information about the panel, please check on page 260 and 264.

Note: complete the order with the corresponding flange BQF010 (check on page 268).

PEDESTAL FLANGE BQFC

Designed to guide cables from the support to the operator panel enclosure BQC, it is made from cast aluminium.



fig. 1



fig. 2

Note: for product codes and further technical details, check on page 270.



Sol. 1



Sol. 2



Sol. 3



Sol. 4

The operator interface housing based on ST is designed to meet the requirements of convenience combined with easy use.

Four solutions are available:

- simple enclosure with handles fixed on the door (Sol. 1)
- simple enclosure with handles fixed on the enclosure structure (Sol. 2)
- simple enclosure with optional application of the BQFR front panel on the door (Sol. 3)
- simple enclosure with optional application of the BQFR front panel on the enclosure structure (Sol. 4).

CHARACTERISTICS

Enclosure and door manufactured from 1.5 mm thick sheet steel. The upper part of the enclosure is provided with a hole to fix the pendant arm system.

SUPPLY

Housing supplied with:

- enclosure and door complete with \varnothing 3 mm double bar locking system
- two handles complete with mounting accessories
- mounting screws.

PAINT FINISH

Epoxy polyester powder coating.

Enclosure and door: colour RAL 7035 textured finish.

Handle colour: gun barrel grey.

PROTECTION RATING

- IP55 complying with IEC EN62208; EN60529.
- NEMA 1 complying with UL508A; UL50.

SOLUTION 1

BST CODE	DIMENSIONS (W x H x D)		
	B	A	P
BST3-420F	300	400	200
BST4-320F	400	300	200
BST4-420F	400	400	200
BST5-420F	500	400	200
BST5-520F	500	500	200
BST6-620F	600	600	200

Note: order the BQPA pendant arm system separately (see page 268). For solution 1, the locking system is fixed on the side wall of the simple enclosure.

SOLUTION 2

BST CODE	DIMENSIONS (W x H x D)		
	B	A	P
BST3-420B	300	400	200
BST4-320B	400	300	200
BST4-420B	400	400	200
BST5-420B	500	400	200
BST5-520B	500	500	200
BST6-620B	600	600	200

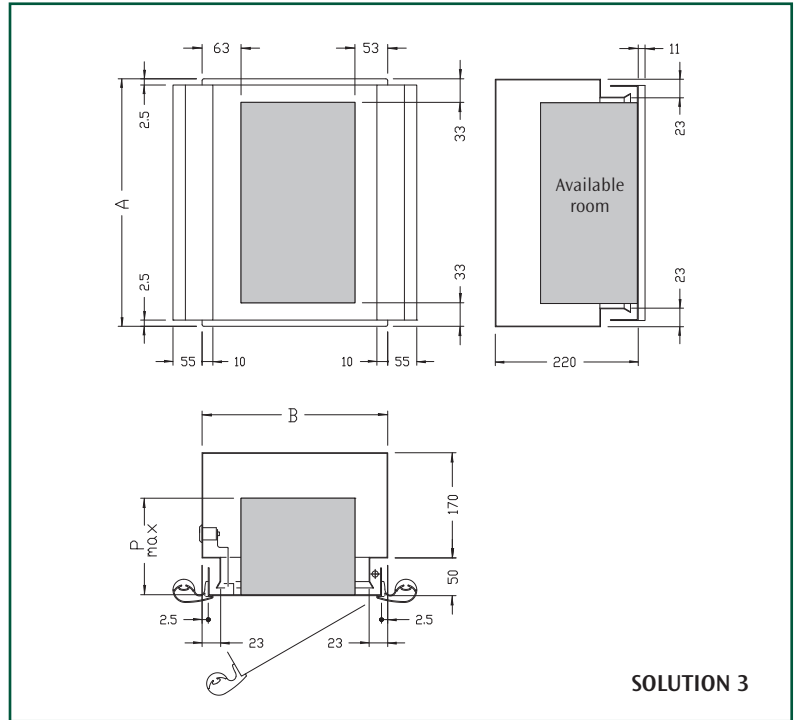
Note: order the BQPA pendant arm system separately (see page 268). For solution 2, the locking system is fixed on the door of the simple enclosure.

Suspension arm system

SOLUTION 3

BSTF CODE	DIMENSIONS (W x H x D)		
	B	A	P
BSTF3-420F	300	400	200
BSTF4-320F	400	300	200
BSTF4-420F	400	400	200
BSTF5-420F	500	400	200
BSTF5-520F	500	500	200
BSTF6-620F	600	600	200

Note: the blank locking panel is included; order the BQPA pendant arm system separately (see page 268). For solution 3, the locking system is fixed on the side wall of the simple enclosure.

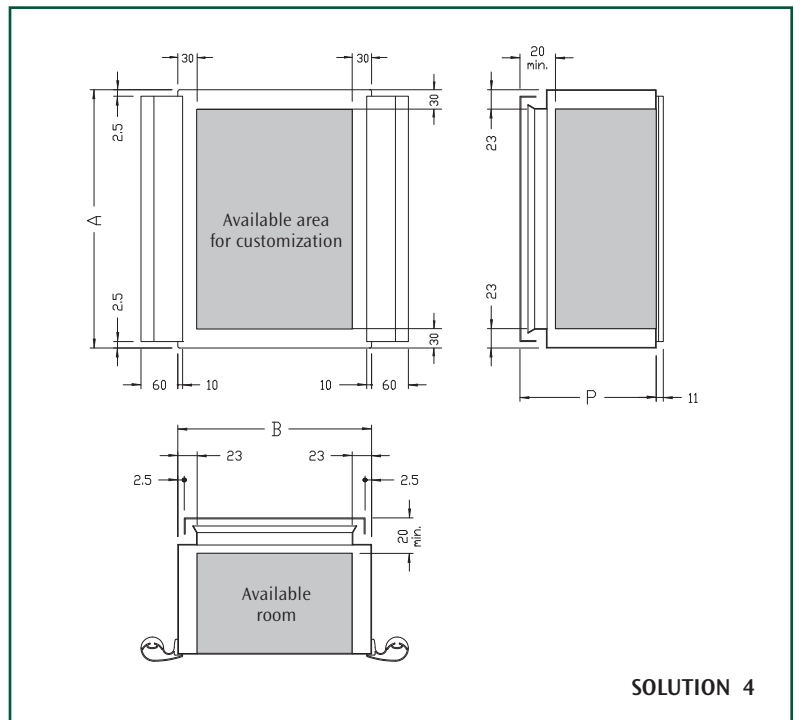


SOLUTION 3

SOLUTION 4

BSTF CODE	DIMENSIONS (W x H x D)		
	B	A	P
BSTF3-420B	300	400	200
BSTF4-320B	400	300	200
BSTF4-420B	400	400	200
BSTF5-420B	500	400	200
BSTF5-520B	500	500	200
BSTF6-620B	600	600	200

Note: the blank locking panel is included; order the BQPA pendant arm system separately (see page 268). For solution 4, the locking system is fixed on the door of the simple enclosure.



SOLUTION 4

DOOR STOP WA060

See page 166.



LOCKING SYSTEMS

See page 168.





THERMAL MANAGEMENT

The electronic components contained in cabinets require adequate measures against dust, pollutants and high temperatures.

Providing an adequate cabinet conditioning or air circulation permit to optimizes costs and time, thus granting the optimal functioning of the equipment.

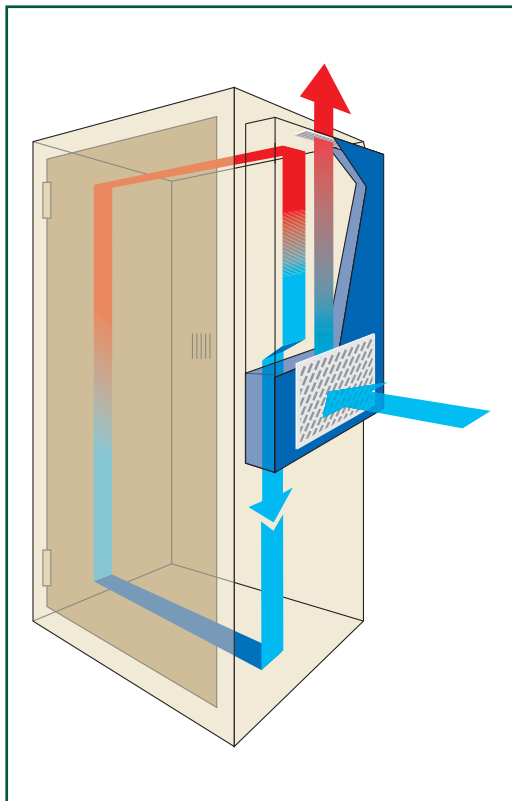
Ethermo is the ETA complete range of items for the thermal management of the cabinets:

- compact and ultra-thin conditioners (for wall applications, roof applications and joined cabinets)
- air conditioners for outdoor applications
- air-to-water and air-to-air heat exchangers
- climate control doors
- fans and filter grids "click and fit"
- ventilation hoods
- anti-condensation heaters, controllers and thermostats.





* Check the templates for further details



Designed with the aim of ensuring optimal functioning conditions for electric and electronic equipment, they represent the ideal solution for applications where it is required a set point temperature lower than the ambient one. Available with a range from 330W to 10000W (L35L35) and several power supply. Do not require any routine maintenance.

TECHNICAL FEATURES

- functioning up to +55°C (environment)
- refrigerant Gas R134a
- self cleaning hydrophilic condenser
- 5 sizes
- cooling capacity 330-4000W
- sheet cover, painted in RAL 7035 textured finish
- no filter
- condensate dissipating device from 1050 W
- quick connections (except 330 W)
- digital thermostat ECB (except 330 W)
- protection rating on the cabinet side: IP54.

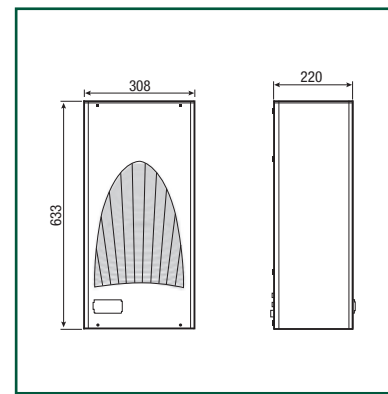
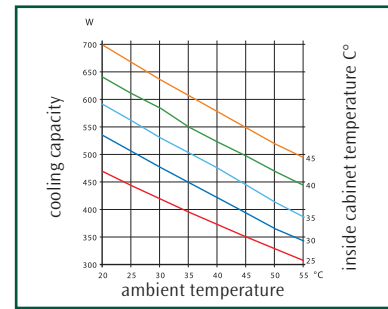
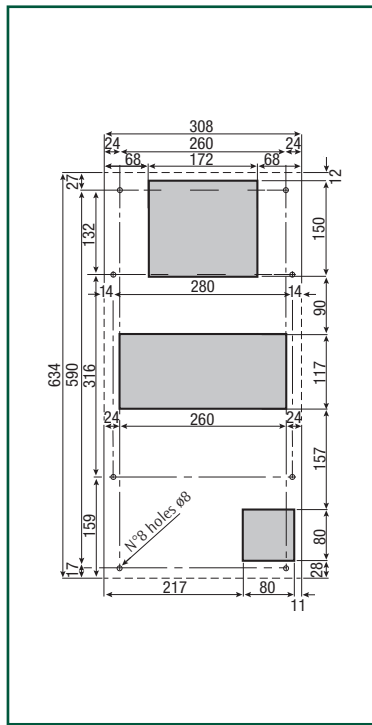
OPTIONAL

- special RAL colours
- covers manufactured from AISI304 stainless steel sheet
- deflector.

WALL MOUNTED AIR CONDITIONERS

WICP CODE	COOLING CAPACITY L35L35 DIN 3168	POWER SUPPLY V-ph-Hz	EXTERNAL DIMENSIONS			CERTIFICATIONS
			WIDTH	HEIGHT	DEPTH	
WICP3323CW	330 W	230-1-50/60	320	436	180	-
WICP3311CW	330 W	115-1-60	320	436	180	-
WICP5023CW *	500 W	230-1-50/60	308	634	221	-
WICPU5023CW	500 W	230-1-50/60	308	634	221	cRUus
WICPU5011CW	500 W	115-1-60	308	634	221	cRUus
WICP8523CW *	850 W	230-1-50/60	308	634	221	-
WICPU8523CW	850 W	230-1-50/60	308	634	221	cRUus
WICPU8511CW	850 W	115-1-60	308	634	221	cRUus
WICP9023CW	900 W	230-1-50/60	322	784	220	-
WICP1123CW *	1050 W	230-1-50/60	406	934	244	-
WICP1140CW	1050 W	400-2-50/440-2-60	406	934	244	-
WICP1423CW *	1400 W	230-1-50/60	406	934	244	-
WICPU1423CW	1400 W	230-1-50/60	406	934	244	cRUus
WICPU1411CW	1400 W	115-1-60	406	934	244	cRUus
WICP1440CW *	1400 W	400-2-50/440-2-60	406	934	244	-
WICP2023CW *	2000 W	230-1-50/60	406	934	244	-
WICPU2023CW	2000 W	230-1-50/60	406	934	244	cRUus
WICPU2011CW	2000 W	115-1-60	406	1004	244	cRUus
WICP2040CW	2000 W	400-3-50 460-3-60	406	1004	244	-
WICP2723CW	2700 W	230-1-50/60	508	1234	375	-
WICPU2723CW	2700 W	230-1-50/60	508	1234	375	cRUus
WICP2740CW	2700 W	400-3-50 460-3-60	508	1234	375	-
WICP4023CW	4000 W	230-1-50/60	508	1234	375	-
WICPU4023CW	4000 W	230-1-60	508	1234	375	cRUus
WICP4040CW	4000 W	400-3-50 / 460-3-60	508	1234	375	-

* Item available on stock



AIR CONDITIONERS WICP 500 W FOR WALL AND DOOR MOUNTING

		WICP5023CW	WICPU5023CW	WICPU5011CW
VOLTAGE/PHASE/FREQUENCY	V-ph-Hz	230-1 50/60	230-1 50/60	115-1-60
COOLING CAPACITY L35L35-DIN 3168	W	500	500	500
COOLING CAPACITY L35L50-DIN 3168	W	410	410	410
WIDTH/HEIGHT/DEPTH	mm	308x634x221	308x634x221	308x634x221
MAX RUNNING CURRENT	A	2	2	4
STARTING CURRENT	A	15	15	30
PRE-FUSE T	A	6	6	6
POWER CONSUMPTION L35L50-DIN 3168	W	324	370	370
SIDE CABINET FAN FLOW, FREE BLOWING	m ³ /h	290	320	320
REGULATION TEMPERATURE LIMITS	°C	25-45	25-45	25-45
SIDE AMBIENT TEMPERATURE LIMITS	°C	20-55	20-55	20-55
NOISE LEVEL	dB(A)	65	65	65
WEIGHT	kg	23	23	23
CERTIFICATIONS		-	cURus	cURus

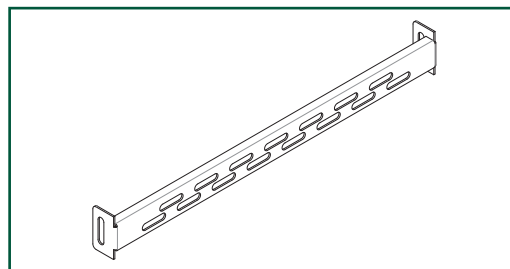
REINFORCEMENT CROSSPIECES FOR CONDITIONERS FIXING EUTC

CHARACTERISTICS

Manufactured from sendzimir 1.5 mm sheet steel, with slots to allow the fixing of Ethermo air conditioners on E NUX side panels.

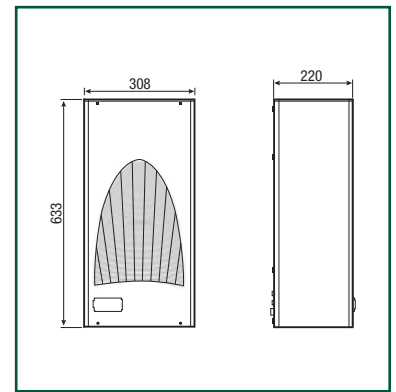
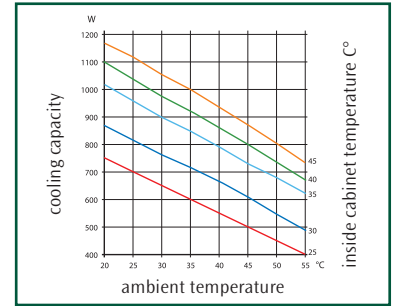
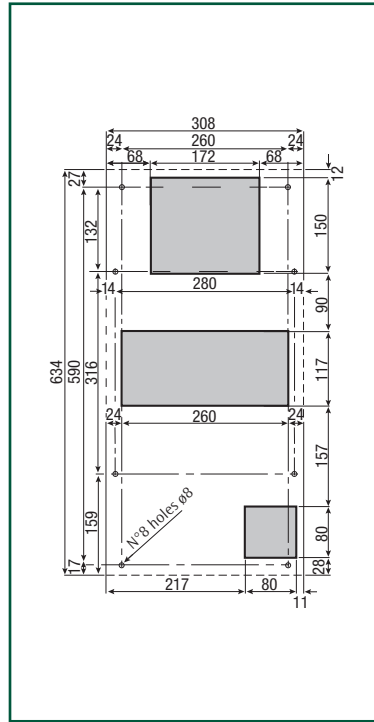
SUPPLY

Includes: 2 pieces with mounting accessories .



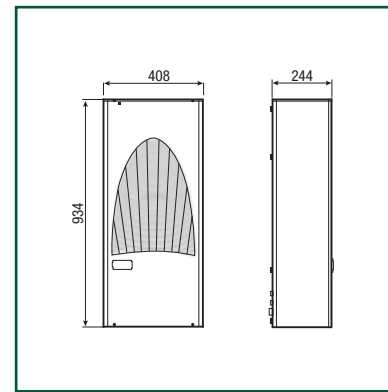
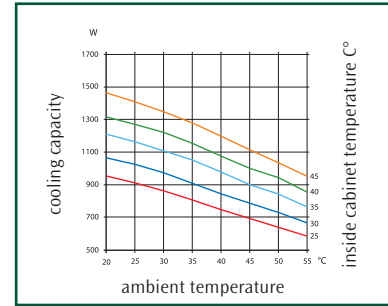
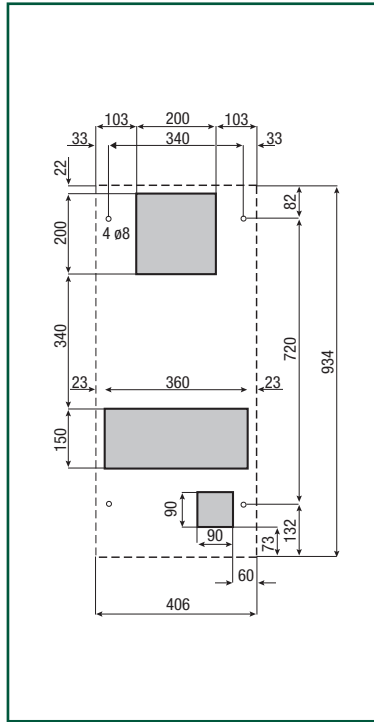
REINFORCEMENT CROSSPIECES FOR CONDITIONERS FIXING

EUTC CODE	CABINET DEPTH
EUTC-000500	500
EUTC-000600	600
EUTC-000800	800
EUTC-001000	1000



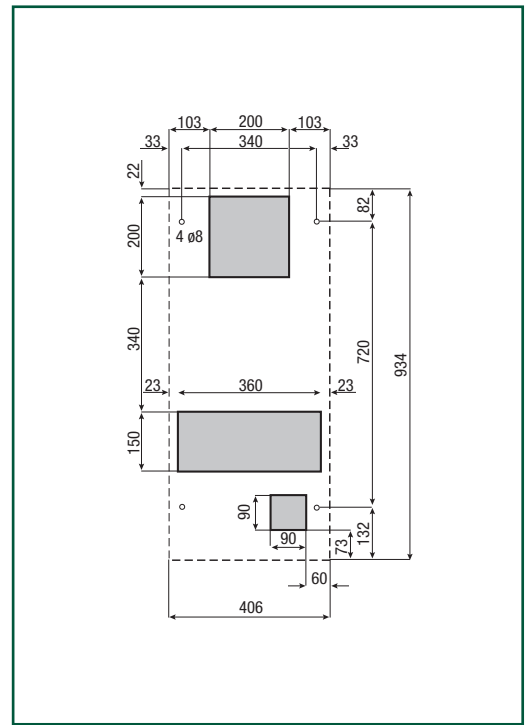
AIR CONDITIONERS WICP 850 W FOR WALL AND DOOR MOUNTING

		WICP8523CW	WICPU8523CW	WICPU8511CW
VOLTAGE/PHASE/FREQUENCY	V-ph-Hz	230-1 50/60	230-1 50/60	115-1-60
COOLING CAPACITY L35L35-DIN 3168	W	850	850	850
COOLING CAPACITY L35L50-DIN 3168	W	620	620	620
WIDTH/HEIGHT/DEPTH	mm	308x634x221	308x634x221	308x634x221
MAX RUNNING CURRENT	A	2,8	2,7	5,2
STARTING CURRENT	A	15	15	29
PRE-FUSE T	A	6	6	8
POWER CONSUMPTION L35L50-DIN 3168	W	415	420	510
SIDE CABINET FAN FLOW, FREE BLOWING	m ³ /h	330	330	330
REGULATION TEMPERATURE LIMITS	°C	25-45	25-45	25-45
SIDE AMBIENT TEMPERATURE LIMITS	°C	20-55	20-55	20-55
NOISE LEVEL	dB(A)	65	65	65
WEIGHT	kg	26	26	26
CERTIFICATIONS		-	cURus	cURus



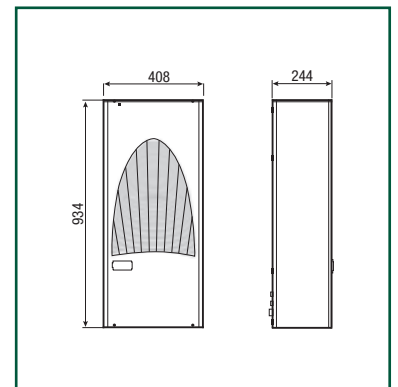
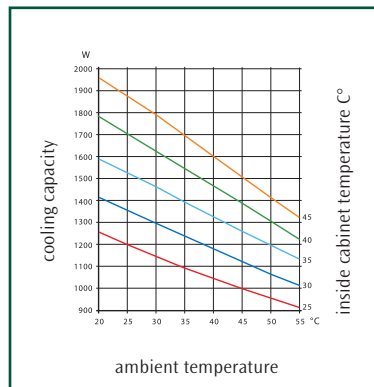
AIR CONDITIONERS WICP 1050 W FOR WALL AND DOOR MOUNTING

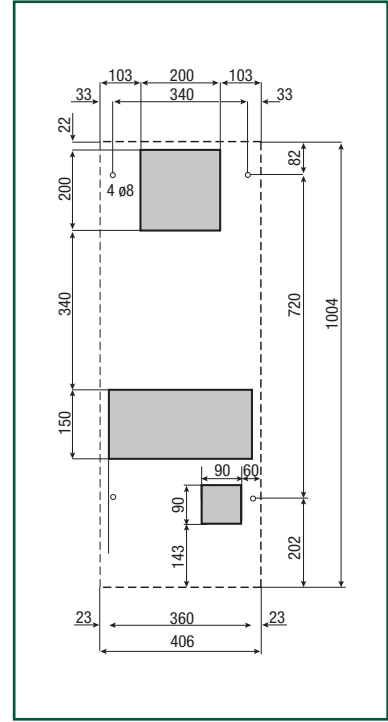
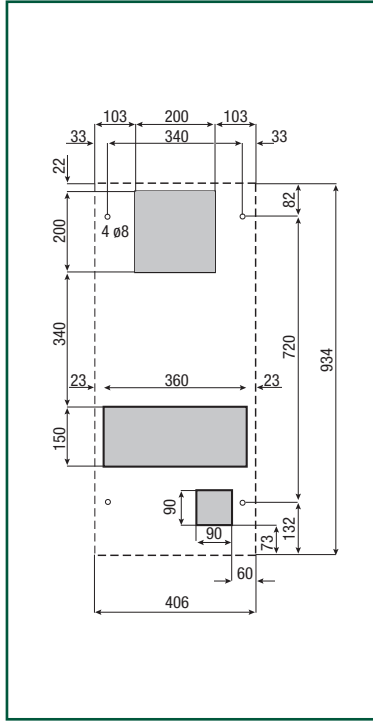
		WICP1123CW	WICP1140CW
VOLTAGE/PHASE/FREQUENCY	V-ph-Hz	230-1 50/60	400-2-50 440-2-60
COOLING CAPACITY L35L35-DIN 3168	W	1050	1050
COOLING CAPACITY L35L50-DIN 3168	W	840	840
WIDTH/HEIGHT/DEPTH	mm	406x934x244	406x934x244
MAX RUNNING CURRENT	A	2,8	1,6
STARTING CURRENT	A	16	31
PRE-FUSE T	A	8	6
POWER CONSUMPTION L35L50-DIN 3168	W	506	506
SIDE CABINET FAN FLOW, FREE BLOWING	m ³ /h	575	575
REGULATION TEMPERATURE LIMITS	°C	25-45	25-45
SIDE AMBIENT TEMPERATURE LIMITS	°C	20-55	20-55
NOISE LEVEL	dB(A)	65	65
WEIGHT	kg	42	52



AIR CONDITIONERS WICP 1400 W FOR WALL AND DOOR MOUNTING

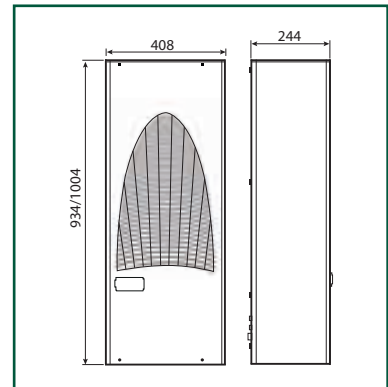
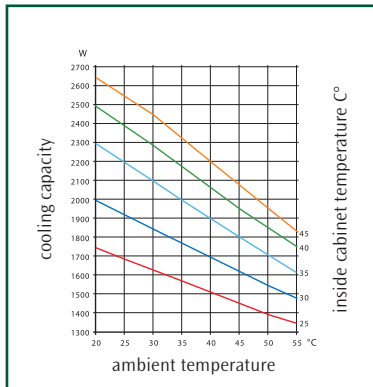
		WICP1423CW	WICPU1423CW	WICPU1411CW	WICP1440CW
VOLTAGE/PHASE/FREQUENCY	V-ph-Hz	230-1 50/60	230-1 50/60	115-1-60	400-2-50 440-2-60
COOLING CAPACITY L35L35-DIN 3168	W	1400	1400	1400	1400
COOLING CAPACITY L35L50-DIN 3168	W	1170	1170	1170	1170
WIDTH/HEIGHT/DEPTH	mm	406x934x244	406x934x244	406x934x244	406x934x244
MAX RUNNING CURRENT	A	5	4,2	9,5	3,3
STARTING CURRENT	A	17	17	32	31
PRE-FUSE T	A	8	8	14	8
POWER CONSUMPTION L35L50-DIN 3168	W	939	939	860	939
SIDE CABINET FAN FLOW, FREE BLOWING	m ³ /h	575	575	575	575
REGULATION TEMPERATURE LIMITS	°C	25-45	25-45	25-45	25-45
SIDE AMBIENT TEMPERATURE LIMITS	°C	20-55	20-55	20-55	20-55
NOISE LEVEL	dB(A)	65	65	65	65
WEIGHT	kg	42	42	46	50
CERTIFICATIONS		-	cURus	cURus	-





AIR CONDITIONERS WICP 2000 W FOR WALL AND DOOR MOUNTING

		WICP2023CW	WICPU2023CW	WICPU2011CW	WICP2040CW
VOLTAGE/PHASE/FREQUENCY	V-ph-Hz	230-1 50/60	230-1 60	115-1-60	400-3-50 460-3-6
COOLING CAPACITY L35L35-DIN 3168	W	2000	2000	2000	2000
COOLING CAPACITY L35L50-DIN 3168	W	1700	1700	1700	1700
WIDTH/HEIGHT/DEPTH	mm	406x934x244	406x934x244	406x1004x244	406x1004x244
MAX RUNNING CURRENT	A	5,5	7,3	11,5	2,5
STARTING CURRENT	A	20	22	38	10
PRE-FUSE T	A	8	12	16	6
POWER CONSUMPTION L35L50-DIN 3168	W	1200	1200	1200	1200
SIDE CABINET FAN FLOW, FREE BLOWING	m ³ /h	860	575	575	860
REGULATION TEMPERATURE LIMITS	°C	25-45	25-45	25-45	25-45
SIDE AMBIENT TEMPERATURE LIMITS	°C	20-55	20-55	20-55	20-55
NOISE LEVEL	dB(A)	65	65	65	65
WEIGHT	kg	44	44	44	72
CERTIFICATIONS		-	cURus	cURus	-





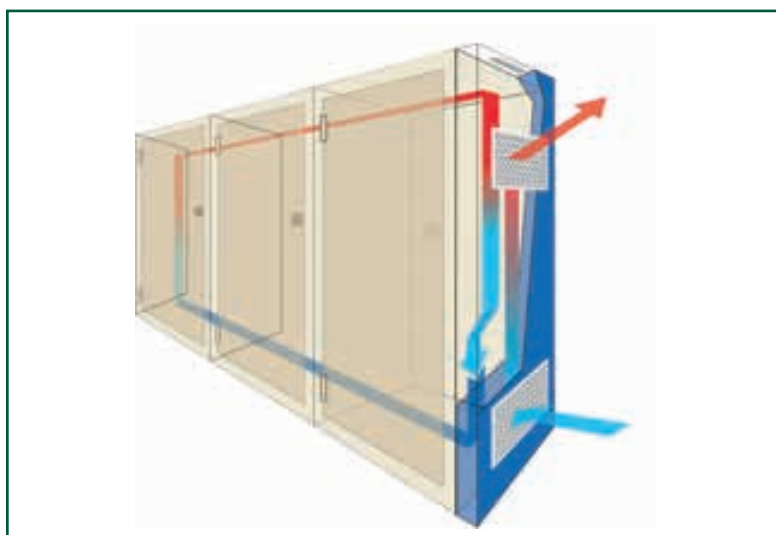
Designed with the aim of ensuring optimal functioning conditions for electric and electronic equipment, they represent the ideal solution for applications where it is required a set point temperature lower than the ambient one. Air conditioners for suite cabinets available in two sizes (600 or 800 mm width), cooling capacity from 5800 to 10000W and several power supply. Do not require any routine maintenance.

TECHNICAL FEATURES

- functioning up to +55°C (environment)
- refrigerant Gas R134a
- digital thermostat ECB
- sheet cover, painted in RAL 7035 textured finish
- scroll compressor.

OPTIONAL

- special RAL colours
- covers manufactured from AISI304 stainless steel sheet.



AIR CONDITIONERS FOR SUITE CABINETS

WICE CODE	COOLING CAPACITY L35L35 DIN 3168	POWER SUPPLY V-ph-Hz	DIMENSIONS		
			WIDTH	HEIGHT	DEPTH
WICE5840CW	5800 W	400-3-50 / 460-3-60	600	2000	384
WICE8040CW	8000 W	400-3-50 / 460-3-60	800	2000	384
WICE10040CW	10000 W	400-3-50 / 460-3-60	800	2000	384

AIR DUCT

For suite cabinets, we propose an air duct manufactured from press bent sheet steel.

PAINT FINISH

ETA standard epoxy polyester powder coating.
Colour: RAL 5020.

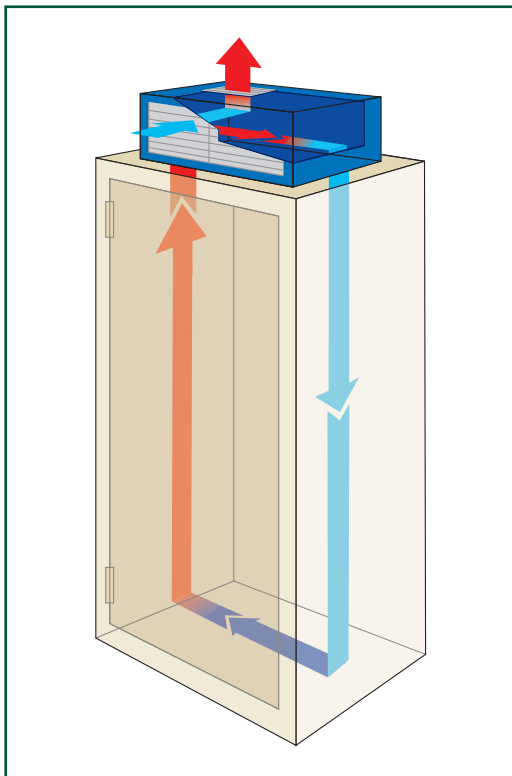
SUPPLY

Modular element based on the dimensions of the joined cabinets, including punching on the roof and adjustment of the air flow.

Note: available on request.



* Check the templates for further details



Designed with the aim of ensuring optimal functioning conditions for electric and electronic equipment, they represent the ideal solution for applications where it is required a set point temperature lower than the ambient one. Top mounting air conditioners, available in 5 sizes, cooling capacity from 330 to 5200W and several power supply. Do not require any routine maintenance.

TECHNICAL FEATURES

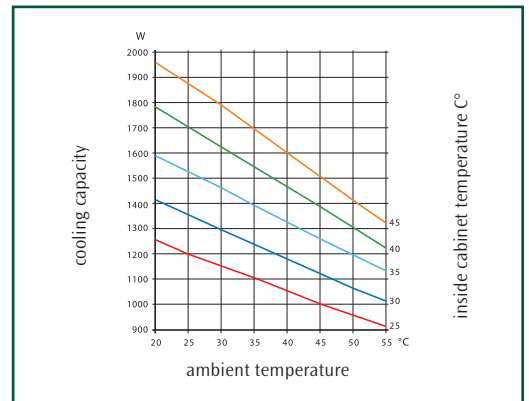
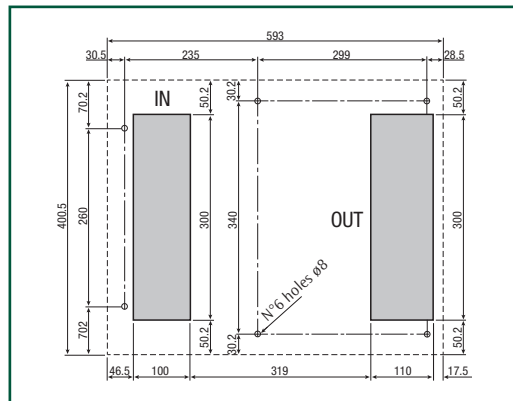
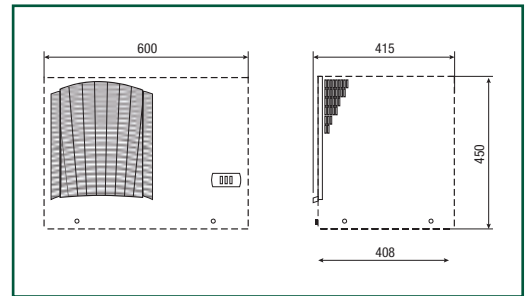
- functioning up to +55°C (environment)
- refrigerant Gas R134a
- self cleaning condenser
- hydrophilic evaporator
- condensate dissipating device from WICT-1423CW model
- quick connections (except 330W)
- digital thermostat ECB (except 330W)
- sheet cover, painted in RAL 7035 textured finish
- protection rating on the cabinet side: IP54.

OPTIONAL

- special RAL colours
- covers manufactured from AISI304 stainless steel sheet .

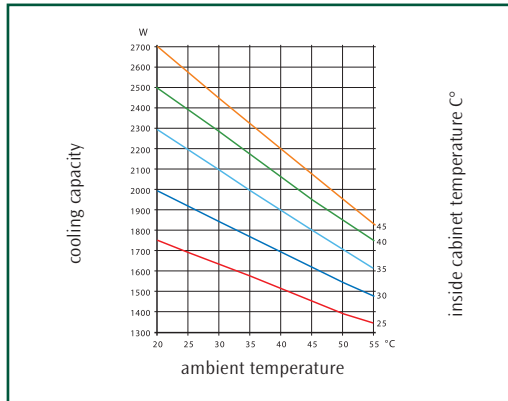
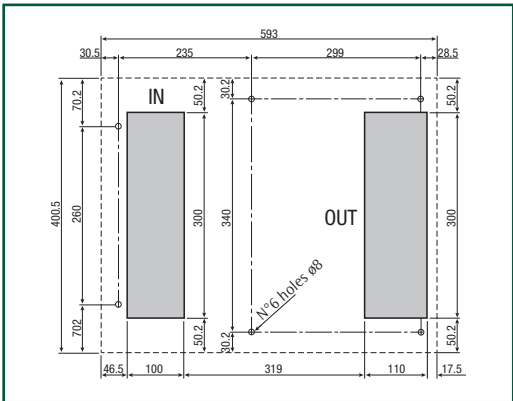
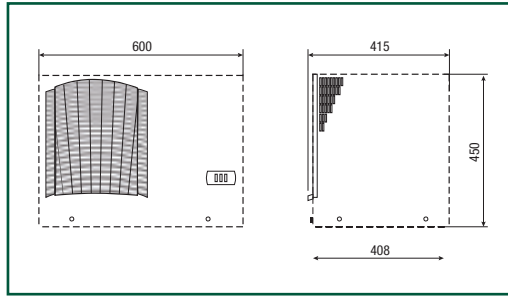
TOP MOUNTING AIR CONDITIONERS						
WICT	COOLING CAPACITY	POWER SUPPLY	EXTERNAL DIMENSIONS			CERTIFICATIONS
CODE	L35L35 DIN 3168	V-ph-Hz	WIDTH	HEIGHT	DEPTH	
WICT3323CW	330 W	230-1-50/60	476	180	324	-
WICT3311CW	330 W	115-1-60	476	180	324	-
WICTU5023CW	600 W	230-1-50/60	600	335	325	cRUus
WICTU5011CW	600 W	115-1-60	600	335	325	cRUus
WICT6023CW	600 W	230-1-50/60	600	335	325	-
WICT6040CW	600 W	400-2-50 460-2-60	600	335	325	-
WICT9023CW	900 W	230-1-50/60	600	335	325	-
WICTU1023CW	900 W	230-1-50/60	600	335	325	cRUus
WICTU1011CW	900 W	115-1-60	600	335	325	cRUus
WICT1423CW	1400 W	230-1-50/60	600	450	400	-
WICTU1423CW*	1400 W	230-1-50/60	600	450	400	cRUus
WICTU1411CW	1400 W	115-1-60	600	450	400	cRUus
WICT1440CW	1400 W	400-2-50 460-2-60	600	450	400	-
WICT2023CW*	2000 W	230-1-50/60	600	450	400	-
WICT2040CW	2000 W	400-2-50 460-2-60	600	450	400	-
WICT2723CW	2700 W	230-1-50/60	800	480	450	-
WICT2740CW	2700 W	400-3-50 460-3-60	800	480	450	-
WICT3823CW	3800 W	230-1-50/60	800	480	450	-
WICTU3823CW	3800 W	230-1-50/60	800	480	450	cRUus
WICT3840CW	3800 W	400-3-50 460-3-60	800	480	450	-
WICT5240CW	5200 W	400-3-50 460-3-60	800	550	600	-

* Available on request.



TOP MOUNTING AIR CONDITIONERS WICT 1400 W

		WICT1423CW	WICTU1423CW	WICTU1411CW	WICT1440CW
VOLTAGE/PHASE/FREQUENCY	V-ph-Hz	230-1 50/60	230-1 50/60	115-1-60	400-2-50 460-2-60
COOLING CAPACITY L35L35-DIN 3168	W	1400	1400	1400	1400
COOLING CAPACITY L35L50-DIN 3168	W	1170	1170	1170	1170
WIDTH/HEIGHT/DEPTH	mm	600x450x400	600x450x400	600x450x400	600x450x400
MAX RUNNING CURRENT	A	5,2	5,5	10	2,8
STARTING CURRENT	A	17	17	34	31
PRE-FUSE T	A	8	8	16	10
POWER CONSUMPTION L35L50-DIN 3168	W	950	950	950	950
SIDE CABINET FAN FLOW, FREE BLOWING	m ³ /h	575	575	575	575
REGULATION TEMPERATURE LIMITS	°C	25-45	25-45	25-45	25-45
SIDE AMBIENT TEMPERATURE LIMITS	°C	20-55	20-55	20-55	20-55
NOISE LEVEL	dB(A)	58	58	58	58
WEIGHT	kg	48	48	48	53
CERTIFICATIONS			cURus	cURus	-



TOP MOUNTING AIR CONDITIONERS WICT 2000 W

		WICT2023CW	WICT2040CW
VOLTAGE/PHASE/FREQUENCY	V-ph-Hz	230-1 50/60	400-2-50 460-2-60
COOLING CAPACITY L35L35-DIN 3168	W	2000	2000
COOLING CAPACITY L35L50-DIN 3168	W	1700	1700
WIDTH/HEIGHT/DEPTH	mm	600x450x400	600x450x400
MAX RUNNING CURRENT	A	5,7	3,3
STARTING CURRENT	A	22	31
PRE-FUSE T	A	8	10
POWER CONSUMPTION L35L50-DIN 3168	W	1200	1200
SIDE CABINET FAN FLOW, FREE BLOWING	m ³ /h	860	860
REGULATION TEMPERATURE LIMITS	°C	25-45	25-45
SIDE AMBIENT TEMPERATURE LIMITS	°C	20-55	20-55
NOISE LEVEL	dB(A)	62	62
WEIGHT	kg	51,5	58,5



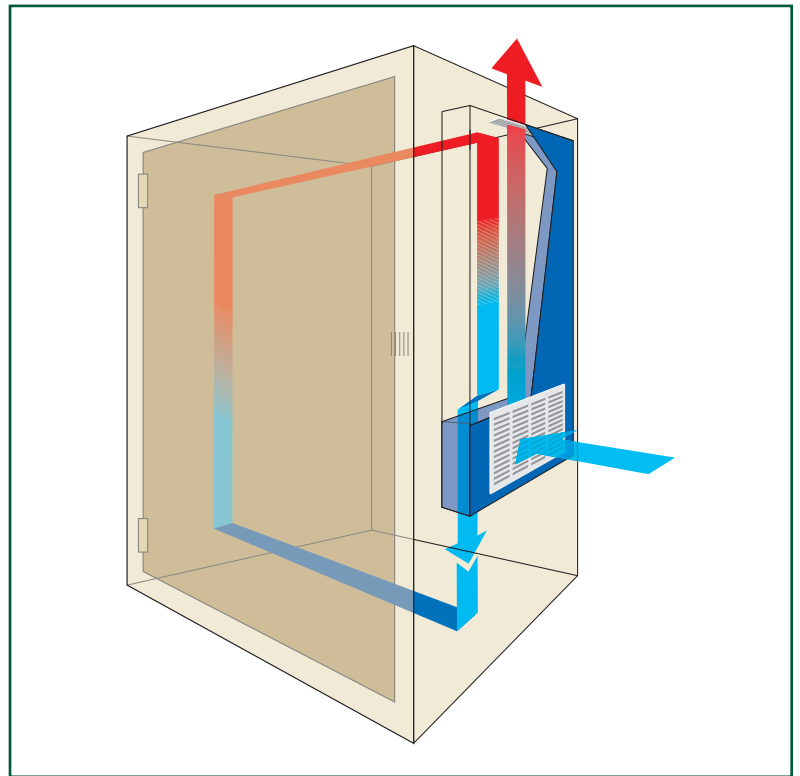
Designed for outdoor applications, available in double version for external and internal installation, in three sizes and with a cooling capacity from 950 to 4000W.

TECHNICAL FEATURES

- mechanical thermostat
- conditioner self-cleaning
- protection rating: IP54.

OPTIONAL

- special RAL colours
- covers manufactured from AISI304 stainless steel sheet
- copper-copper condenser
- common alarm contact
- fan speed controller
- resistance.

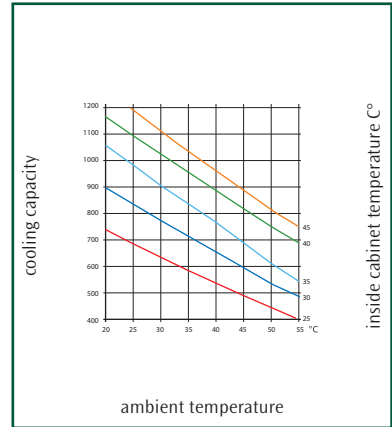
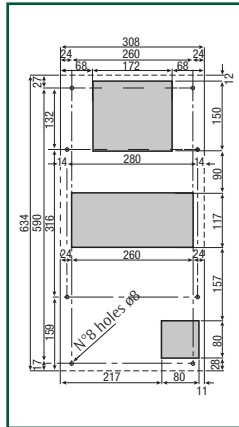
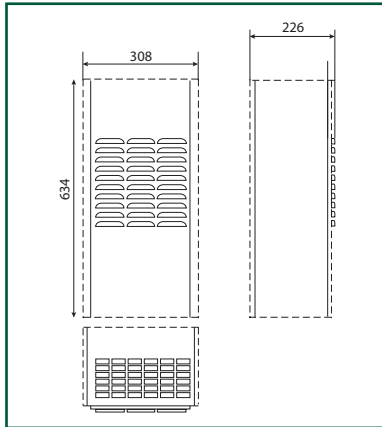


OUTDOOR AIR-CONDITIONERS

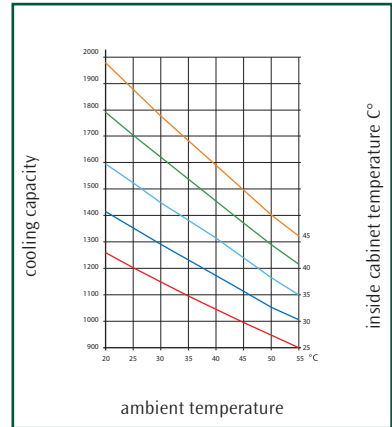
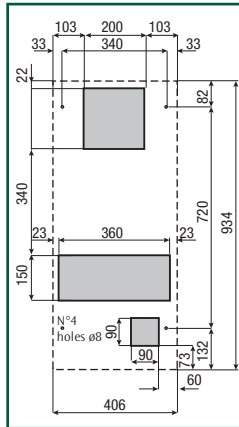
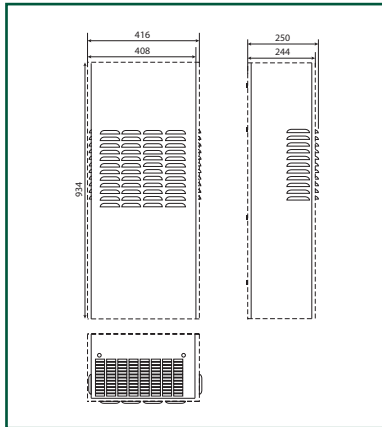
		WICO8523CW	WICO1423CW	WICO2023CW	WICO4023CW	WICO4040CW
VOLTAGE/PHASE/FREQUENCY	V-ph-Hz	230-1-50/60	230-1-50/60	230-1-50/60	230-1-50/60	400-3N-50
COOLING CAPACITY L35L35-DIN 3168	W	850	1400	2000	4000	4000
COOLING CAPACITY L35L50-DIN 3168	W	620	1170	1700	2900	2900
WIDTH/HEIGHT/DEPTH	mm	308x634x221	409x934x244	409x934x244	508x1234x375	508x1234x375
MAX RUNNING CURRENT	A	2	5	5,5	9,2	3,5
STARTING CURRENT	A	15	17	20	46,5	18
PRE-FUSE T	A	4	8	10	16	16
POWER CONSUMPTION L35L50-DIN 3168	W	415	939	1150	1780	1780
SIDE CABINET FAN FLOW, FREE BLOWING	m ³ /h	330	575	860	1450	1450
REGULATION TEMPERATURE LIMITS	°C	25-45	25-45	25-45	25-45	25-45
SIDE AMBIENT TEMPERATURE LIMITS	°C	-20 +55	-20 +55	-20 +55	-20 +55	-20 +55
NOISE LEVEL	dB(A)	65	65	65	75	75
WEIGHT	kg	26	42	44	81	86

Thermal

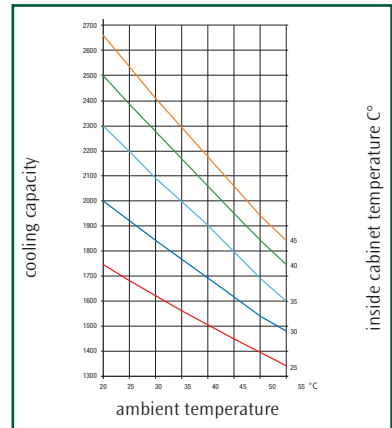
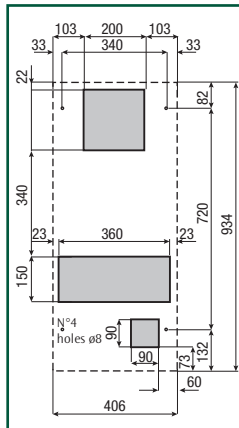
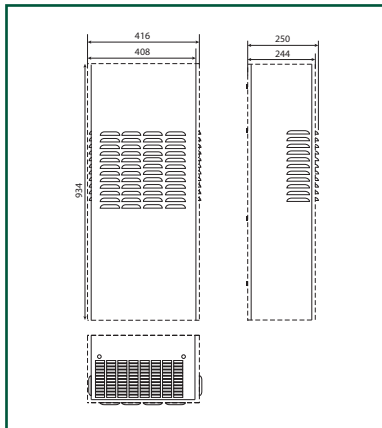
WICO8523CW



WICO1423CW

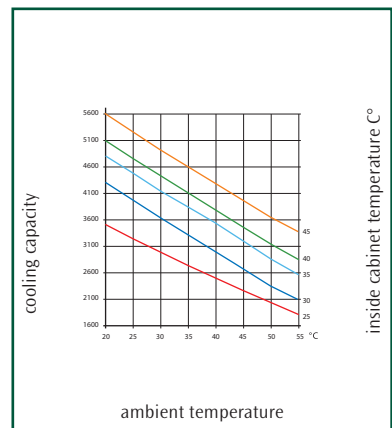
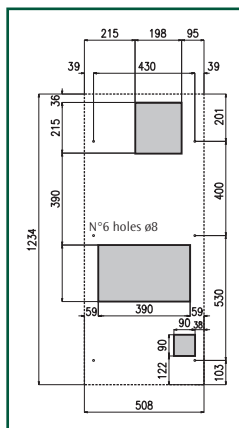
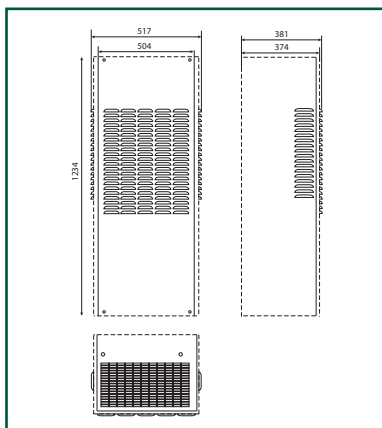


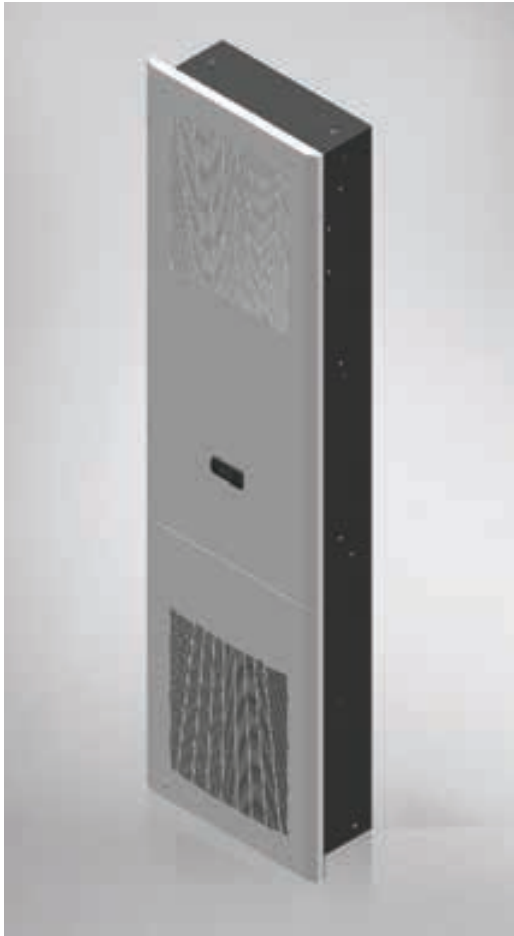
WICO2023CW



WICO4023CW

WICO4040CW





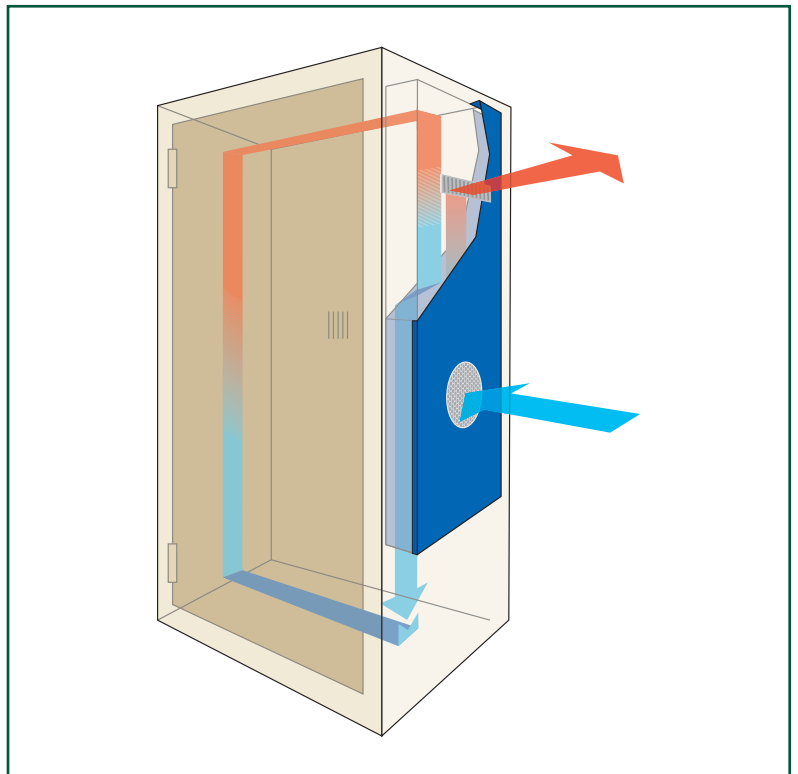
Range of slim air conditioners suitable for door mounting. Designed for total recessed mounting (external installation with accessories supplied separately), the conditioners are available in 3 sizes. Cooling capacity from 1000 to 3000 W.

TECHNICAL FEATURES

- digital thermostat ECB
- quick connections (CE version)
- integrated Filter
- condenser (from WIDC-1423CW) allows the correct functioning also without filter (except hard working conditions)
- condensate dissipating device from WIDC-1423CW model
- sheet cover, painted in RAL 7035 textured finish
- protection rating on the cabinet side: IP54.

OPTIONAL

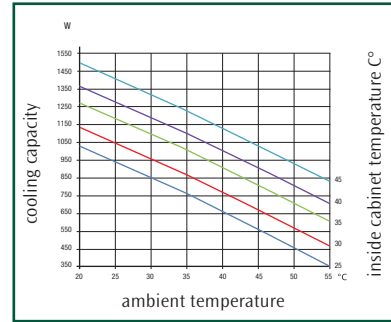
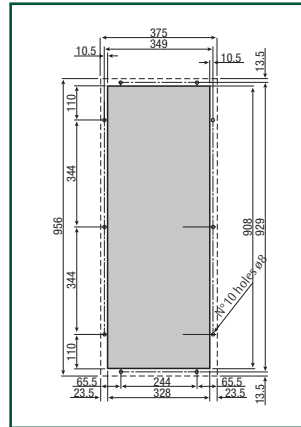
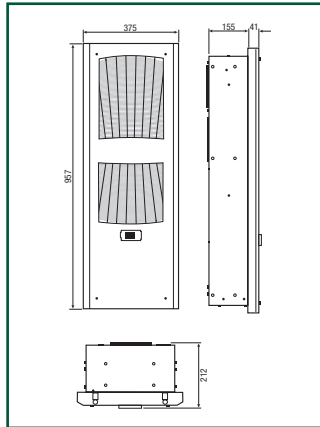
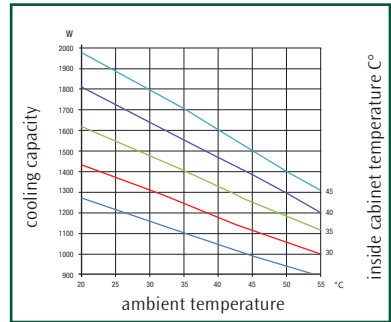
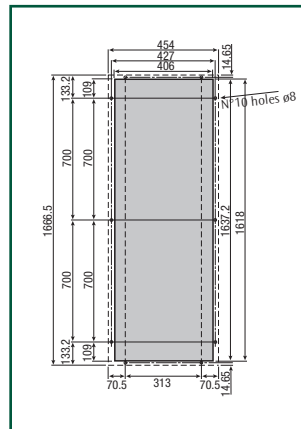
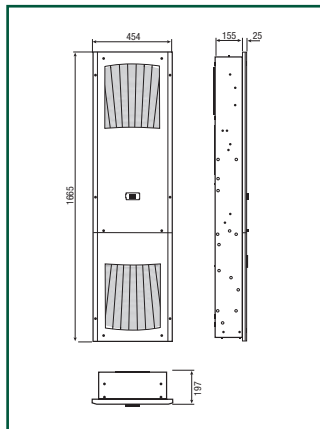
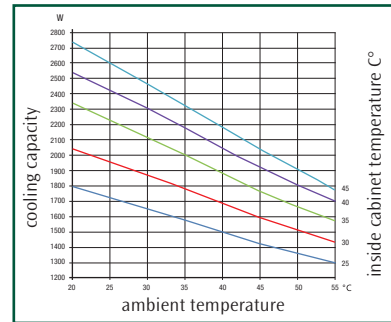
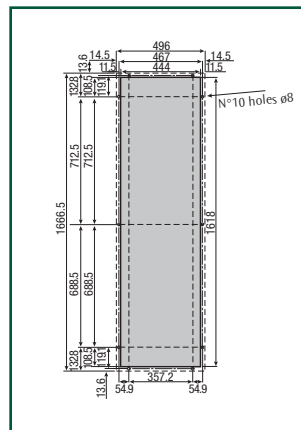
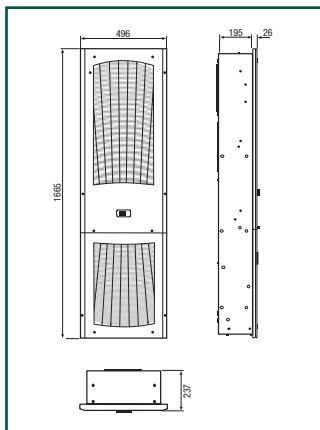
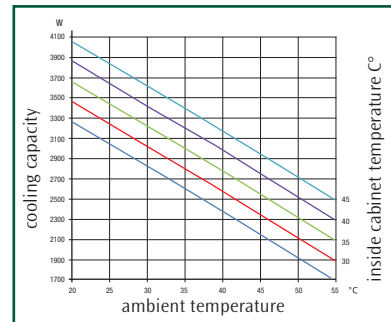
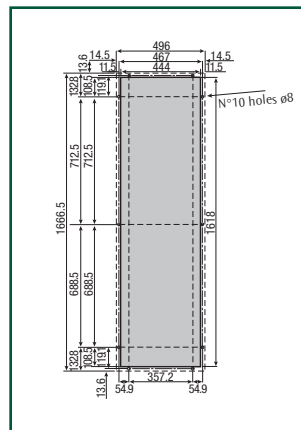
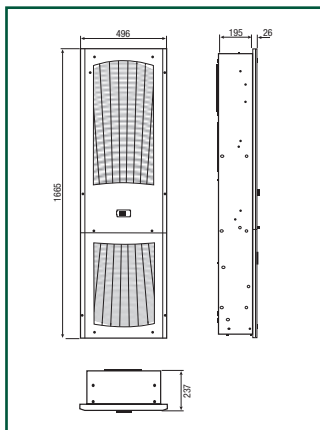
- special RAL colours
- covers manufactured from AISI304 stainless steel sheet
- frame for external mounting.



EXTRA-SLIM AIR-CONDITIONERS FOR DOOR MOUNTING

WIDC CODE	COOLING CAPACITY L35L35 DIN 3168	POWER SUPPLY V-ph-Hz	DIMENSIONS		
			WIDTH	HEIGHT	DEPTH
WIDC-1023CW	1000 - 1150 W	230 V	375	957	212
WIDC-1423CW	1400 - 1500 W	230 V	454	1665	197
WIDC-2040CW	2000 - 2200 W	400 V	454	1665	197
WIDC-3040CW*	3000 - 3200 W	400 V	496	1665	237

* For mounting on doors W=600 mm or H=1800, please specify when ordering

WIDC-1023CW

WIDC-1423CW

WIDC-2040CW

WIDC-3040CW

EXTRA-SLIM AIR-CONDITIONERS FOR DOOR MOUNTING

		WIDC-1023CW	WIDC-1423CW	WIDC-2040CW	WIDC-3040CW
VOLTAGE/PHASE/FREQUENCY	V-ph-Hz	230/1/50-60	230/1/50-60	400/3/50 460/3/60	400/3/50 460/3/60
COOLING CAPACITY L35L35-DIN 3168	W	1000 - 1150	1400 - 1500	2000 - 2200	3000 - 3200
COOLING CAPACITY L35L50-DIN 3168	W	700 - 800	1170 - 1250	1650 - 1800	2300 - 2500
WIDTH/HEIGHT/DEPTH	mm	375x957x212	454x1665x197	454x1665x197	496x1665x237
MAX RUNNING CURRENT	A	3,4 - 3,7	3,6 - 3,8	2,7 - 2,9	2,8 - 3
STARTING CURRENT	A	12,5	20,5	18	15
PRE-FUSE T	A	6	8	8	8
POWER CONSUMPTION L35L50-DIN 3168	W	640 - 750	710 - 880	1190 - 1400	1430 - 1800
SIDE CABINET FAN FLOW, FREE BLOWING	m ³ /h	330	575	860	860
REGULATION TEMPERATURE LIMITS	°C	25 - 45	25 - 45	25 - 45	25 - 45
SIDE AMBIENT TEMPERATURE LIMITS	°C	20 - 55	20 - 60**	20 - 55	20 - 55
NOISE LEVEL	dB(A)	58	57	65	65
WEIGHT	kg	34	50,5	55	69

** Only 50 Hz, max T=55°C at 60 Hz



* Indoor only



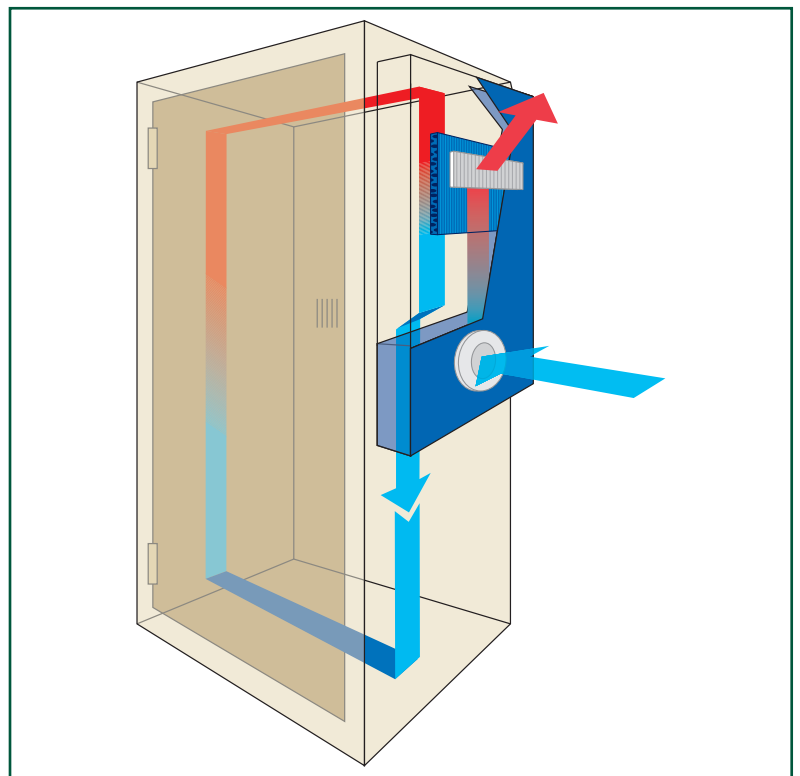
Available in 4 sizes and with several power supply, for proper working favourable conditions are needed (10°C). The standard version is for external wall mounting (version for internal wall mounting available on request).

TECHNICAL FEATURES

- maintenance free
- patented heat exchange core manufactured from aluminium, to ensure high efficiency with compact dimensions
- specific heat transmission 16-85 W/K
- sheet cover, painted in RAL 7035 textured finish
- protection rating on the cabinet side: IP55.

OPTIONAL

- special RAL colours
- covers manufactured from AISI304 stainless steel sheet.



AIR TO AIR HEAT EXCHANGERS

WISC CODE	SPECIFIC HEAT TRANSMISSION	POWER SUPPLY V-ph-Hz	DIMENSIONS			CERTIFICATIONS
			WIDTH	HEIGHT	DEPTH	
WISC1623CW	16 W/K	230-1-50/60	204	410	109	-
WISCU1611CW	16 W/K	115-1-60	204	410	109	cULus
WISC3523CW	35 W/K	230-1-50/60	254	780	90	-
WISCU3523CW	35 W/K	230-1-60	254	780	90	cULus
WISCU3511CW	35 W/K	115-1-60	254	780	90	cULus
WISC5023CW	50 W/K	230-1-50/60	312	780	90	-
WISCU5023CW	50 W/K	230-1-60	312	780	90	cULus
WISCU5011CW	50 W/K	115-1-60	312	780	90	cULus
WISC8023CW	80 W/K	230-1-50/60	311	1250	108	-
WISCU8023CW	80 W/K	230-1-60	311	1250	108	cULus
WISCU8011CW	80 W/K	115-1-60	311	1250	108	cULus
WISC8523CW	85 W/K	230-1-50/60	311	1250	108	-



* Indoor only



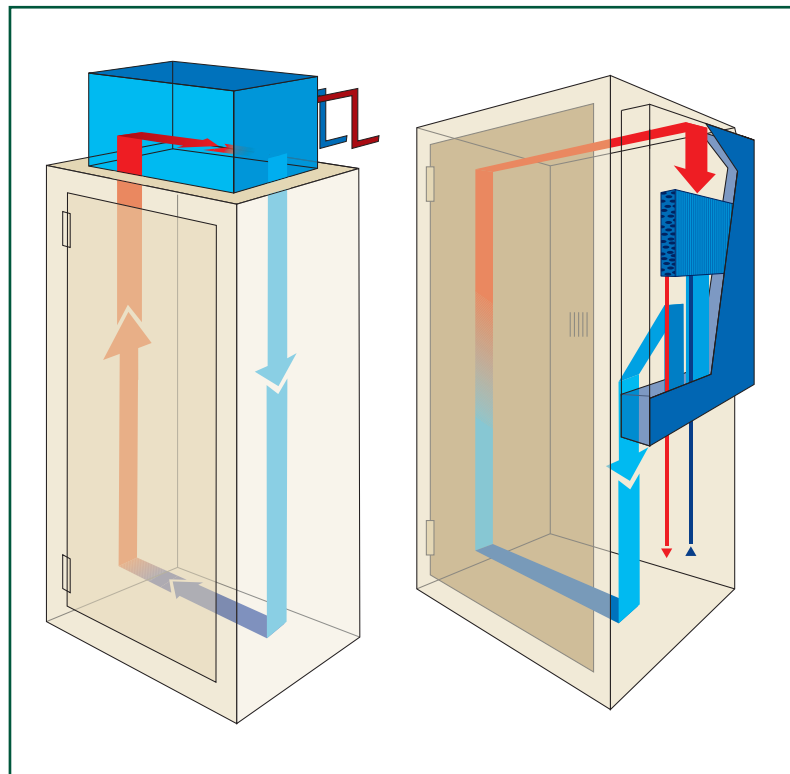
Available in 7 sizes and with several power supply, for proper working favourable conditions are needed (10°C), there are 2 possibilities for mounting (wall or top mounting).

TECHNICAL FEATURES

- roof mounting 2 versions
- cooling capacity 870-25000 W
- maintenance free
- sheet cover, painted in RAL 7035 textured finish
- protection rating on the cabinet side: IP55.

OPTIONAL

- special RAL colours
- covers manufactured from AISI304 stainless steel sheet
- Solenoid valve + Thermostat.



AIR TO WATER HEAT EXCHANGERS

WISW CODE	SPECIFIC HEAT TRANSMISSION	POWER SUPPLY V-ph-Hz	DIMENSIONS			CERTIFICATIONS
			WIDTH	HEIGHT	DEPTH	
WISW87230CW	870 W	230-1-50/60	306	403	113	–
WISW87115CW	870 W	115-1-60	306	403	113	cULus
WISW220230CW	2200 W	230-1-50/60	402	916	206	–
WISW220115CW	2200 W	115-1-60	400	925	205	cULus
WISW220230CWH*	2200 W	230-1-50/60	800	200	400	–
WISW220115CWH*	2200 W	230-1-50/60	800	200	400	–
WISW310230CW	3100 W	230-1-50/60	402	916	206	–
WISW310115CW	3100 W	115-1-60	400	925	205	cULus
WISW670230CW	6700 W	230-1-50/60	503	1091	293	–
WISW1250230CW	12500 W	230-1-50/60	800	2000	400	–
WISW1250400CW	12500 W	400-2-50 440-2-60	800	2000	400	–
WISW1750400CW	17500 W	400-2-50 440-2-60	800	2000	600	–
WISW1750230CW	17500 W	230-1-50/60	800	2000	600	–
WISW2500230CW	25000 W	230-1-50/60	800	2000	600	–

* Top mounting



TECHNICAL FEATURES

- Air Flow 37-831 m³/h
- Reversible air flow, push/pull (except WT315B – WT315VB)*
- Easy maintenance and filter substitution

CHARACTERISTICS

Grids and supports manufactured from thermoplastic material:

- heat resistance (-35°C +80°C)
- IEC/DIN 53480 KA 3 sliding currents resistance
- colour similar to RAL 7035
- sealing gasket to guarantee IP54

Filtering panel manufactured from mixed polyester-modacrylic fibres:

- high filtering capacity
- max working temperature 130°C
- easily removed
- good reutilization.

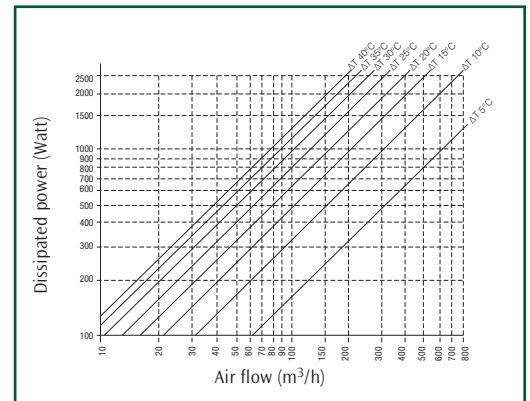
FAN SIZING

- The diagram shows how to choose the ventilation units.
- Select the heat to be dissipated on the Y axis, the intersection point obtained on the required ΔT line gives the necessary air flow on the X-axis.

PROTECTION RATING

- IP54
- NEMA 12 complying with UL508A; UL50.

* WT315B and WT315VB available in pull version as standard; for push version, please contact the ETA sales team.

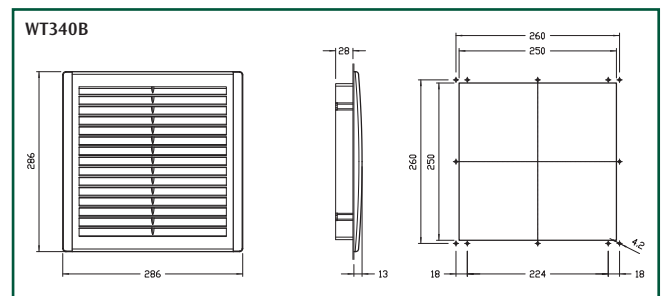
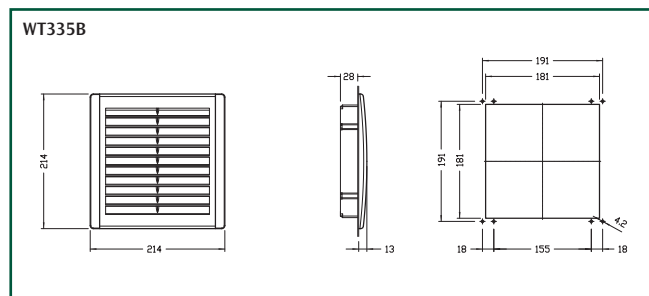
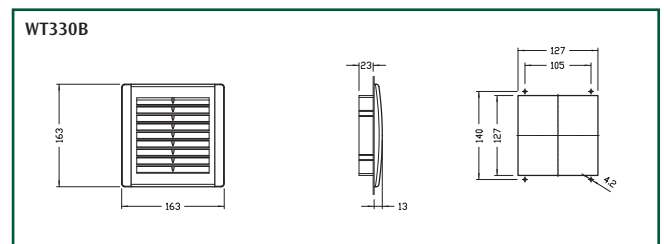
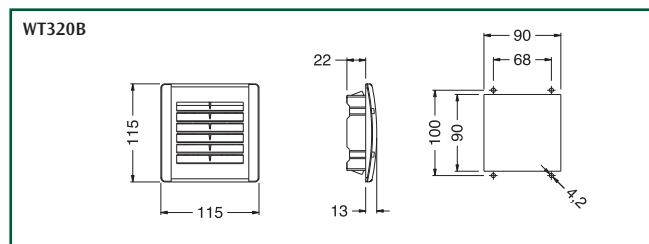


Example:
 P = 500 Watt, ΔT = 20°C, V = 80 m³/h
 A WI 205 fan with V = 97 m³/h is required

Formula
 $V = 3.1 \frac{P}{\Delta T}$

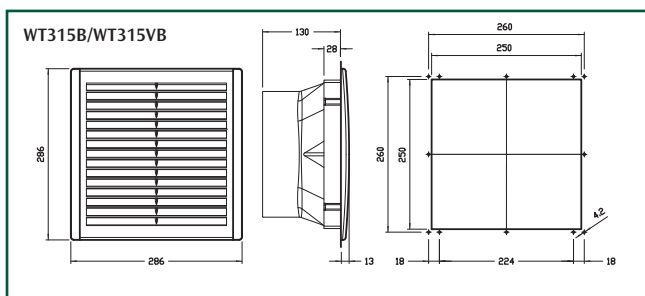
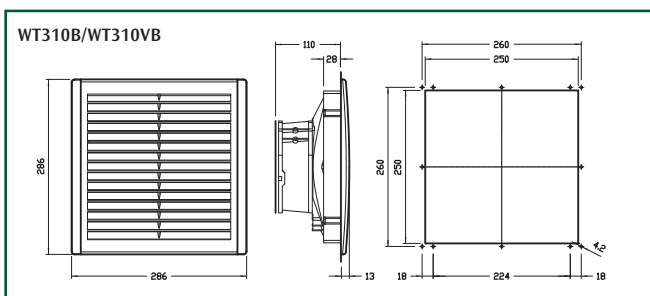
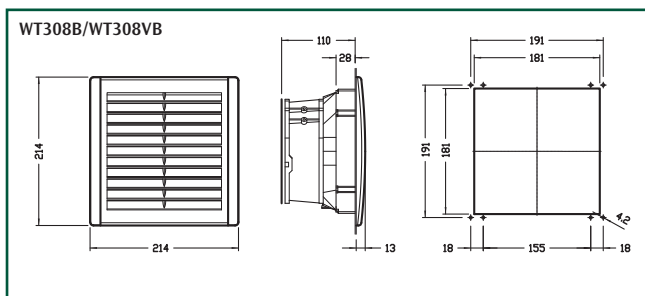
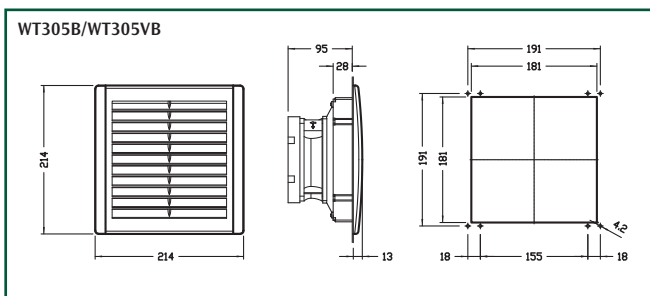
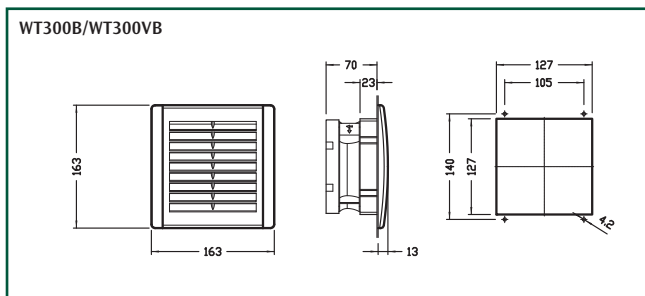
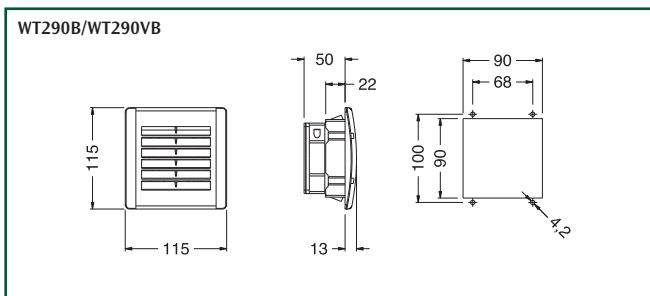
where:

- V = air flow m³/h
- P = dissipated power Watt
- ΔT = (Ti - Te)
- Te = external temperature °C
- Ti = temperature requested inside the cabinet °C



FILTER GRIDS CLICK & FIT		
WT CODE	DIMENSIONS	
WT320B	115	115
WT330B	163	163
WT335B	214	214
WT340B	286	286

REPLACEMENT FILTERING PANELS CLICK & FIT			
WT CODE	DIMENSIONS		FOR
WT329	82	83	WT320B
WT333	120	120	WT330B / WT300B
WT338	170	170	WT335B / WT305B / WT308B
WT343	235	235	WT340B / WT310B / WT315B



FAN WITH FILTER CLICK & FIT

WT	NOMINAL VOLTAGE	POWER	AIR FLOW WITH FILTER	UNHINDERED AIR FLOW	NOISE LEVEL	CERTIFICATIONS
CODE	V/HZ	WATT	m ³ /H	m ³ /H	dB(A)	
WT290B	230/50-60	14/13,5	14	37	30	cURus
WT290VB	115/50-60	12/11	14	37	30	cURus
WT300B	230/50-60	22/21	44	65	45	cURus
WT300VB	115/50-60	22/20	50	72	45	cURus
WT305B	230/50-60	22/21	97	140	45	cURus
WT305VB	115/50-60	22/20	115	155	45	cURus
WT308B	230/50-60	36	205	240	52	cURus
WT308VB	115/50-60	36	225	256	51	cURus
WT310B	230/50-60	36	295	345	52	cURus
WT310VB	115/50-60	36	330	360	51	cURus
WT315B	230/50-60	84	485	831	65	-
WT315VB	115/50-60	84	568	831	68	-



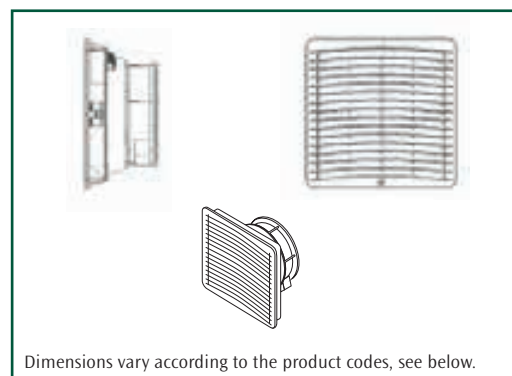
These ventilation systems ensure protection from electromagnetic interference through the combined use of a special paint and a metal net on the conductive sealing grid.

TECHNICAL FEATURES

- screwless
- designed in ABS BLEND (RAL 7035)
- air flow 35 – 990 m³/h
- reversible air flow, push/pull
- easy maintenance and filter substitution
- electrical connections with springs terminals
- MBTF: 40000 hours.

PROTECTION RATING

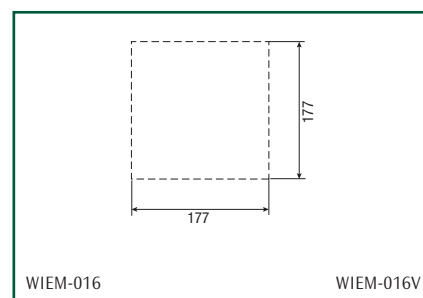
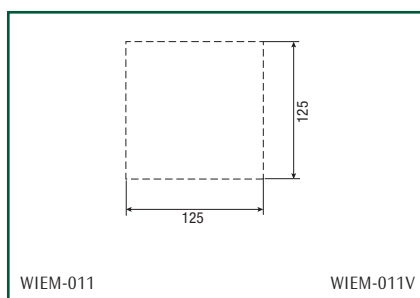
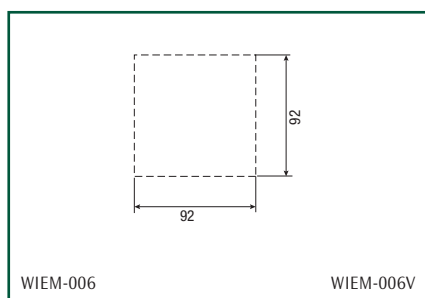
IP54 (IP55 available on request).



Dimensions vary according to the product codes, see below.

EMC FILTERING GRIDS

WIEM CODE	DIMENSIONS	
	WIDTH	HEIGHT
WIEM-031	119	119
WIEM-036	152	152
WIEM-041	204	204



EMC FANS

		WIEM-006	WIEM-006V	WIEM-011	WIEM-011V	WIEM-016	WIEM-016V
VOLTAGE/PHASE/FREQUENCY	V-ph-Hz	230-1-50/60	115/1-50/60	230-1-50/60	115/1-50/60	230-1-50/60	115/1-50/60
WIDTH/HEIGHT/DEPTH	mm	119x119x101	119x119x101	152x152x89	152x152x89	204x204x121,5	204x204x121,5
POWER CONSUMPTION L35L50-DIN 3168	W/A	13/0,07	13/0,13	22/0,14	22/0,26	22/0,14	22/0,26
PRE-FUSE T	A	0,5	1	0,5	1	0,5	1
TEMPERATURE LIMITS	°C	- 10 / + 60	- 10 / + 60	- 10 / + 60	- 10 / + 60	- 10 / + 60	- 10 / + 60
NOISE LEVEL	dB(A)	35	35	49	49	49	49
FAN FLOW	M ³ /h	35	35	67	67	108	108
FAN FLOW + FILTER	M ³ /h	24/27	24/27	50/58	50/58	75/88	75/88

ROOF MOUNTING FAN WA250B/WA250VB

Structure, roof and fan ventilator manufactured from 1.5 mm thick sheet steel.

PAINT FINISH

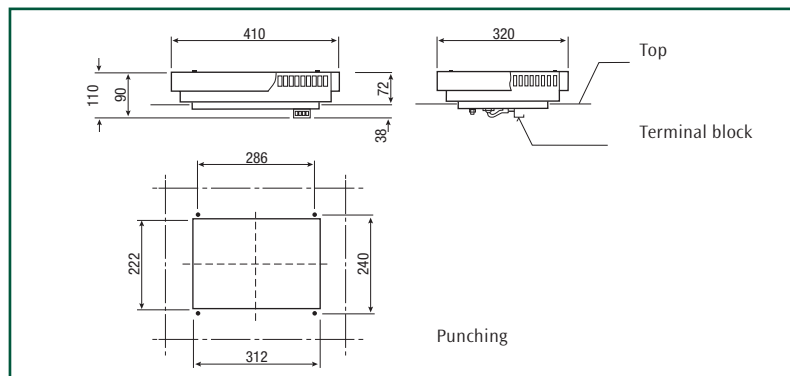
ETA standard epoxy polyester powder coating.
Colour: RAL 7035 textured finish.

PROTECTION RATING

IP23

SUPPLY

- structure, roof and fan support with sealing gasket and mounting accessories
- radial fan
- finger guard
- capacitor
- terminal block.



ROOF MOUNTING FAN

WA CODE	NOMINAL V/Hz	POWER W	AIR FLOW m ³ /H	MAX HEAD Pa	CONDENSER	NOISE dB(A)
WA250B	220/50-60	75	550	320	2	62
WA250VB	110/50-60	75	550	320	2	62



ROOF MOUNTING FAN WA255B

Structure and roof manufactured from 1.5 mm thick sheet steel.

PAINT FINISH

ETA standard epoxy polyester powder coating.
Colour: RAL 7035 textured finish.

PROTECTION RATING

IP23.

SUPPLY

- structure and roof with sealing gasket
- mounting accessories.



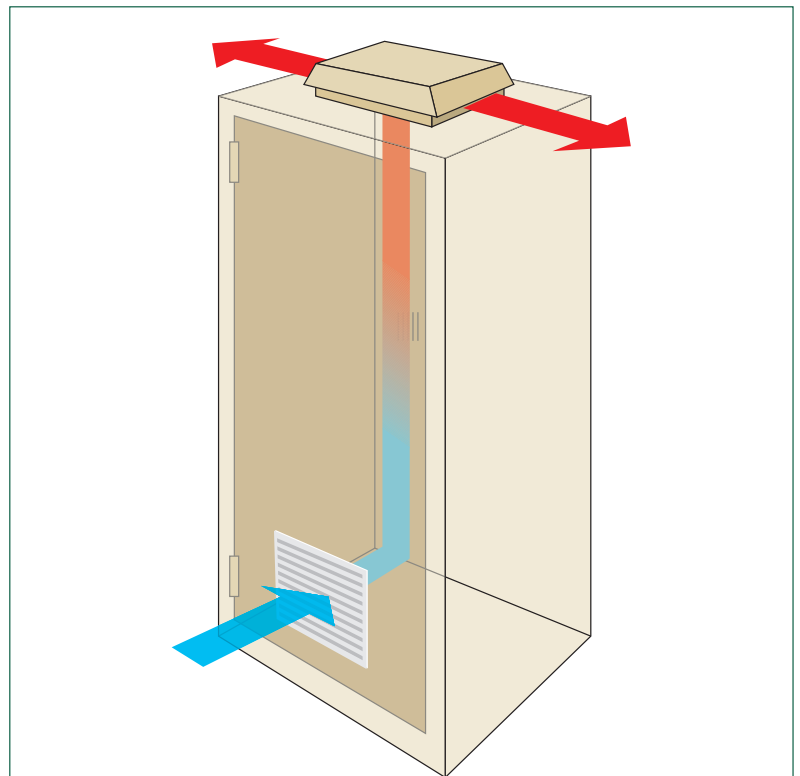
Available in 4 sizes, air flow: 575-2365 m³/h.

TECHNICAL FEATURES

- radial fans with high external static pressure
- available without fans for applications
- sheet cover, painted in RAL 7035 textured finish
- protection rating: IP44 (IP54 available on request) for ventilation fan
- protection rating: IP22 for aeration fan.

OPTIONAL

- special RAL colours
- covers manufactured from AISI304 stainless steel sheet.

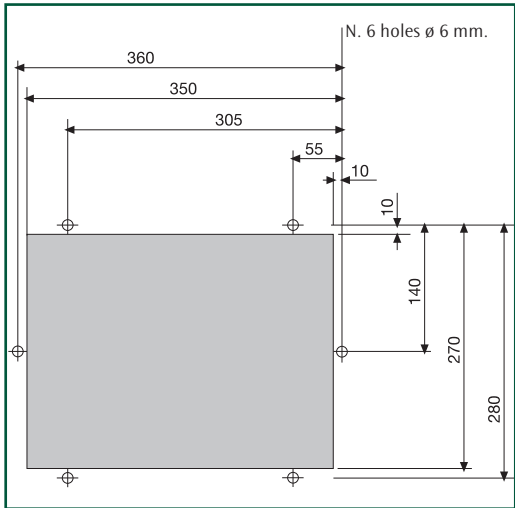
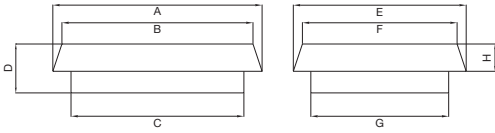


EXHAUST FAN			
WT CODE	DIMENSIONS		
	WIDTH	HEIGHT	DEPTH
WT220CW	460	108	380
WT225CW	540	160	400
WT230CW	600	300	550

EXHAUST FAN							
		WT200CW	WT200VCW	WT205CW	WT205VCW	WT210CW	WT215CW
VOLTAGE/PHASE/FREQUENCY	V-ph-Hz	203-1-50/60	115-1-50/60	203-1-50/60	115-1-50/60	203-1-50/60	203-1-50/60
WIDTH/HEIGHT/DEPTH	mm	460x108x380	460x108x380	460x108x380	460x108x380	540x160x400	600x300x550
FAN FLOW, FREE AIR	m ³ /h	575	575	860	860	1450	2365
ABSORBED CURRENT	A	0,34	0,8	0,4	1	0,95	1,1
PROTECTIVE FUSES	A	2	4	4	4	4	4
ABSORBED POWER	W	75	90	85	115	215	170
TEMPERATURE LIMITS	°C	-20/+55	-20/+55	-20/+55	-20/+55	-20/+55	-20/+55
NOISE LEVEL	dB(A)	80	80	80	80	82	82
WEIGHT	kg	5,8	5,8	8	8	12	20
WEIGHT/VOLUME SHIPMENT	kg/m ³	7/0,03	7/0,03	9/0,03	9/0,03	13/0,047	21/0,25

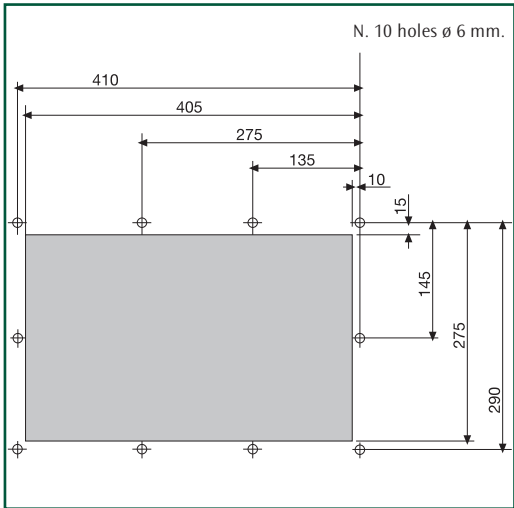
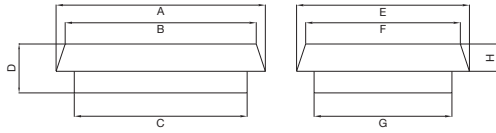
WT200CW - WT200VCW - WT220CW

A	B	C	D	E	F	G	H
460	420	380	108	380	340	300	72



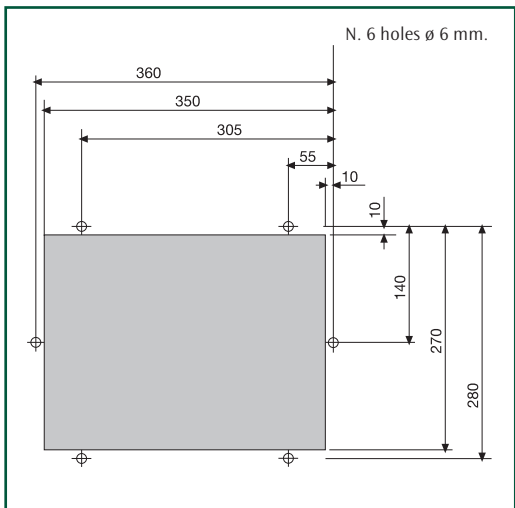
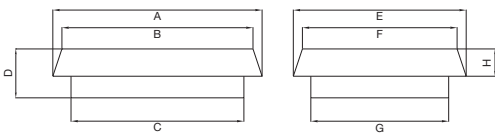
WT210CW - WT225CW

A	B	C	D	E	F	G	H
540	500	440	160	400	360	320	100



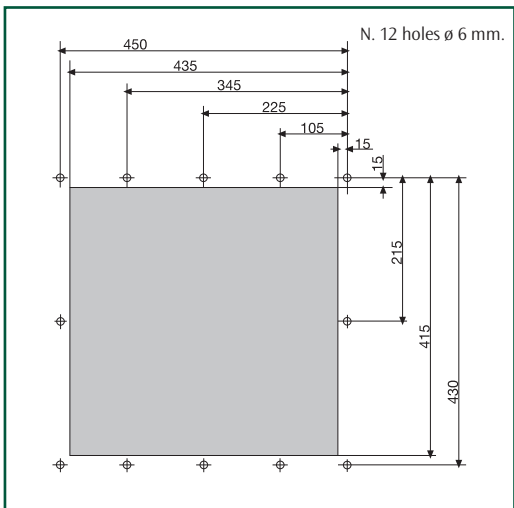
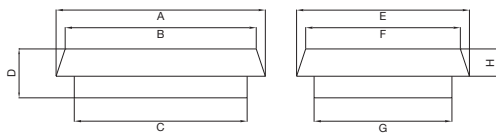
WT205CW - WT205VCW

A	B	C	D	E	F	G	H
460	420	380	108	380	340	300	72



WT215CW - WT230CW

A	B	C	D	E	F	G	H
600	540	480	300	550	490	470	190





In order to choose the most suitable heating element, please refer to the Technical section on page 315.



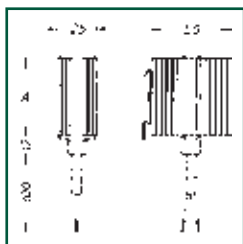
HEATING ELEMENT WI271 WI273 WI274



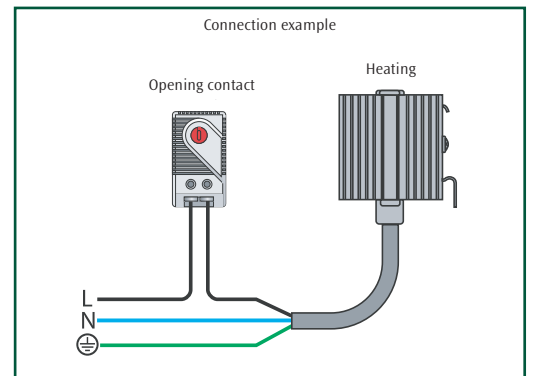
HEATING ELEMENT
PTC (semiconductor).

PROTECTION RATING
IP44.

PROTECTION CLASS
I (protection wire to earth).



HEATER			
WI CODE	POWER WATT	TENSION V AC/DC	DIM. A
WI271	10	120/240	52
WI273	20	120/240	60
WI274	30	120/240	70



HEATING ELEMENT WI250 WI255 WI260 WI265 WI270

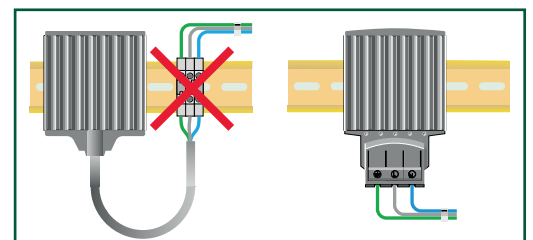
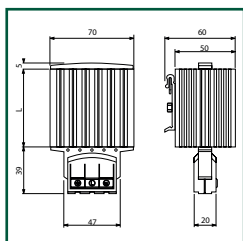


HEATING ELEMENT
PTC (semiconductor).

PROTECTION RATING
IP20.

PROTECTION CLASS
I (protection wire to earth).

Note: supply does not include the cable.



HEATER			
WI CODE	POWER WATT	TENSION V AC/DC	DIM. A
WI250	15	120/240	65
WI255	30	120/240	65
WI260	45	120/240	65
WI265	75	120/240	140
WI270	150	120/240	220

HEATING ELEMENT WI277 WI279



TECHNICAL FEATURES

Air flow: 45 m³/h (50 Hz) and/or 54 m³/h (60 Hz).
 Surface temperature: Max 75°C.
 Time capacity: 50.000 hours to 25°C.

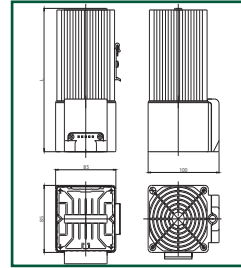
PROTECTION RATING

IP20.

PROTECTION CLASS

I (protection wire to earth).

HEATER			
WI CODE	POWER WATT	TENSION V AC	DIM. A
WI277	250	230/50-60	182
WI279	400	230/50-60	222



HEATER WITH FAN AND THERMOSTAT WIRV



HEATER

PTC (semiconductor).

TEMPERATURE ADJUSTMENT

0-60°.

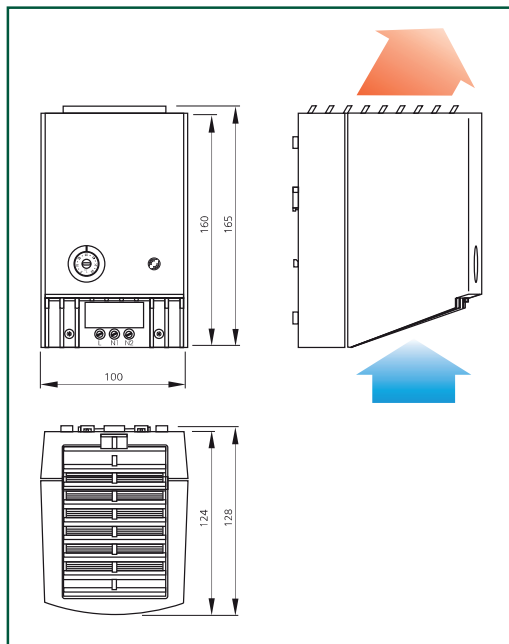
PROTECTION RATING

IP20.

PROTECTION CLASS

I (double insulation).

HEATER			
WIRV CODE	POWER WATT	TENSION V AC	AIR FLOW m ³ /h
WIRV-010	475 W (50 Hz) - 550 W (60 Hz)	230 V AC 50/60 Hz	35
WIRV-010V	400 W (50 Hz) - 550 W (60 Hz)	110 V AC 50/60 Hz	35
WIRV-020	550 W (50 Hz) - 550 W (60 Hz)	230 V AC 50/60 Hz	45
WIRV-020V	510 W (50 Hz) - 550 W (60 Hz)	110 V AC 50/60 Hz	45





TEMPERATURE REGULATOR WI280

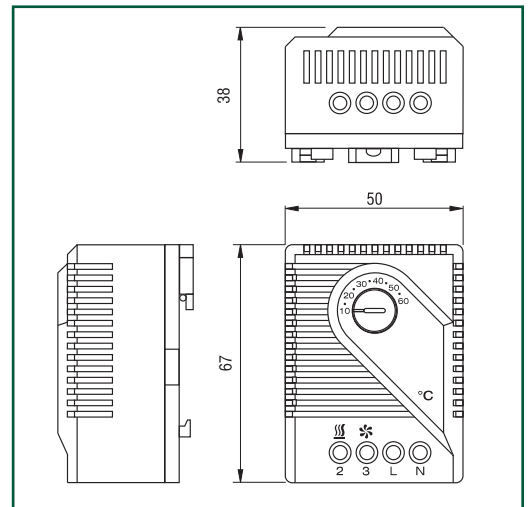
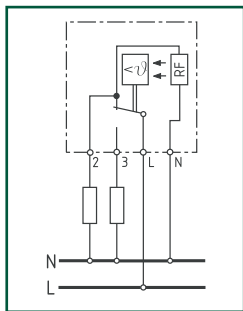


TECHNICAL FEATURES

Voltage: 230 V AC
 Adjustment range: +5 +60°C
 Contact capacity:
 • close 5A/250 V AC
 • open 10A/250 V AC
 Connections 2,5 mm² 4 poles
 Fixing: clip fixing on 35 mm DIN rails
 Housing: UL 94 VO thermoplastic material
 Dimensions: 67 x 50 x 38 mm.

PROTECTION RATING

IP20.



ELECTRONIC TEMPERATURE/HUMIDITY CONTROLLER WI290



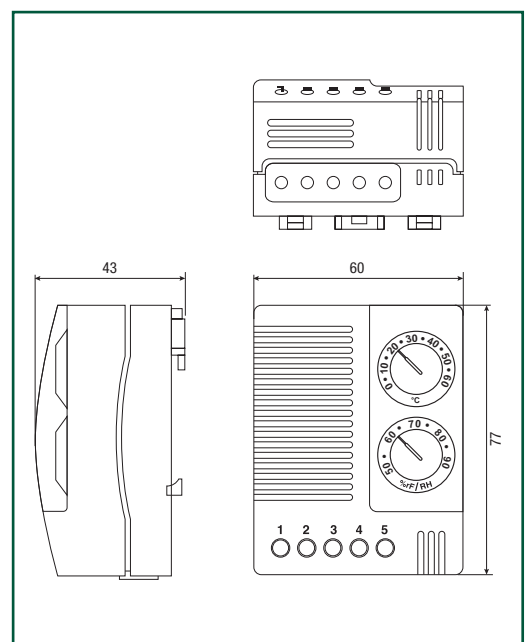
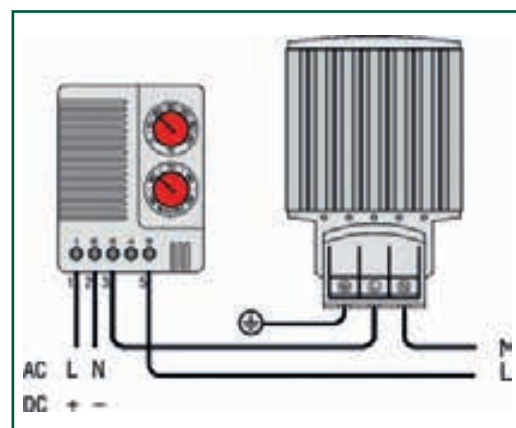
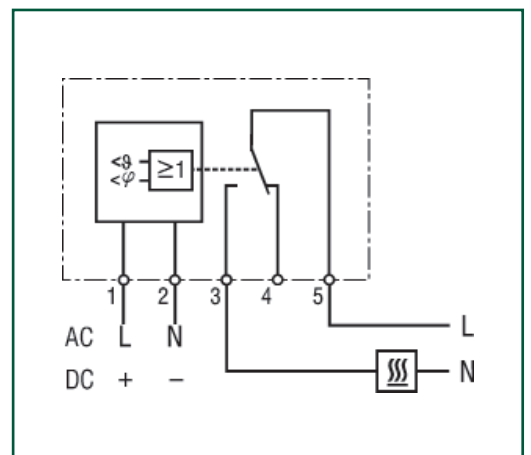
TECHNICAL FEATURES

Voltage: 100 – 240 V AC
 Temperature regulation: 0° ÷ 60°C
 Intervention sensitivity: + 2°C
 Respective humidity regulation: 50% ÷ 90%
 Response time: about 5 sec
 Contact capacity: Max: 240 V 10 A
 ON indicator: LED
 Fixing: clip fixing on 35 mm DIN rail
 Dimensions: 60 x 77 x 43 mm
 Housing: UL 94 VO thermoplastic material.

PROTECTION RATING

IP20

* Available upon request: 120V version



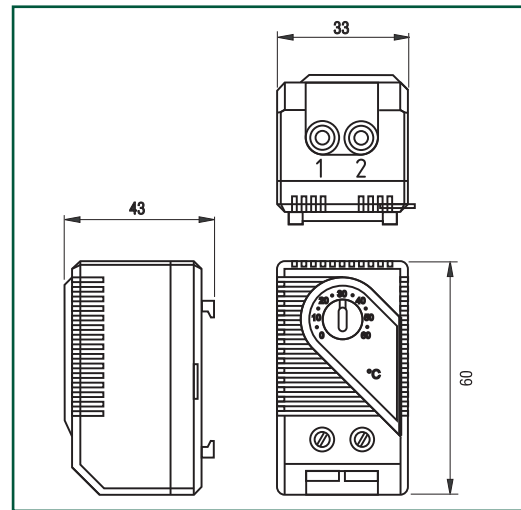


TECHNICAL FEATURES

Adjustment range: 0° ÷ 60°C
 Sensitive element: Bimetallic
 Intervention sensitivity: + 2°C
 Maximum opening capacity: 250 V AC, 10 (2) A / 120 V AC, 15 A
 Working life: > 100.000 cycles
 Connections: 2,5 mm², 2 poles
 Fixing: clip fixing on 35 mm DIN rails
 Dimensions: 60 x 33 x 43 mm.

PROTECTION RATING

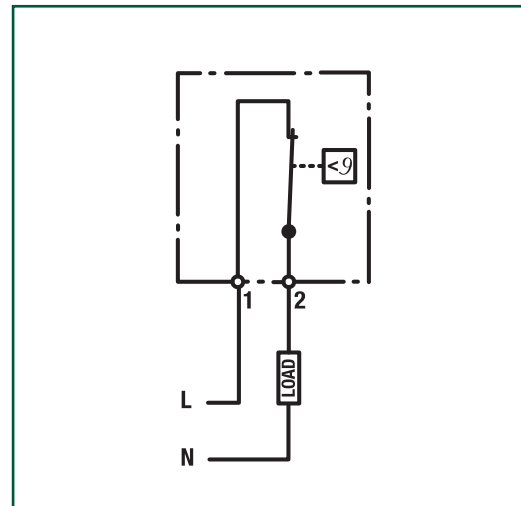
IP20.



THERMOSTAT WITH OPENING CONTACT NC W1282

When the temperature increases there's the contact opening. To be used to control air temperature inside cabinets:

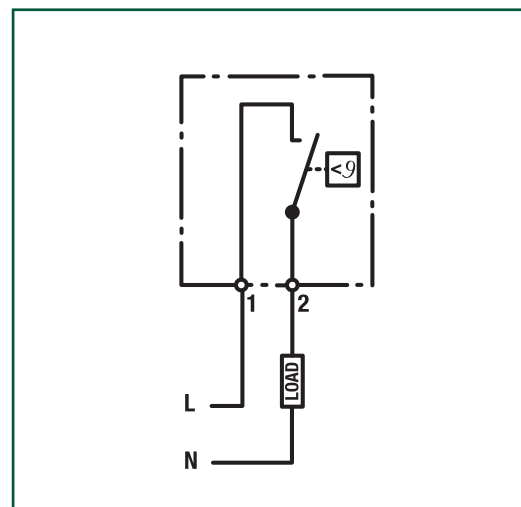
- heating
- ventilation
- signal transmissions.



THERMOSTAT WITH CLOSING CONTACT NO W1284

When the temperature increases there's the contact closing. To be used to control air temperature inside cabinets:

- heating
- ventilation
- signal transmissions.





THERMOSTAT WI286

Two thermostats in one casing:

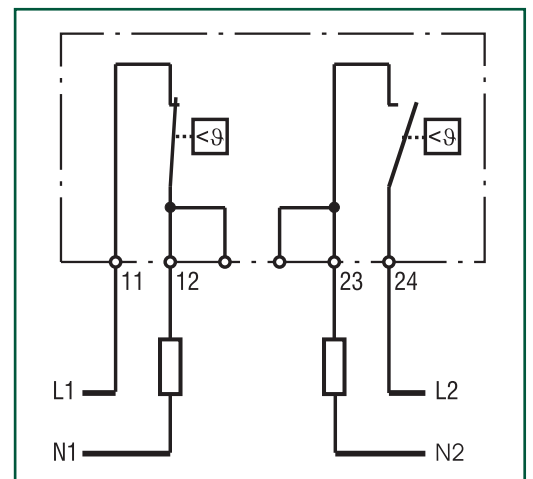
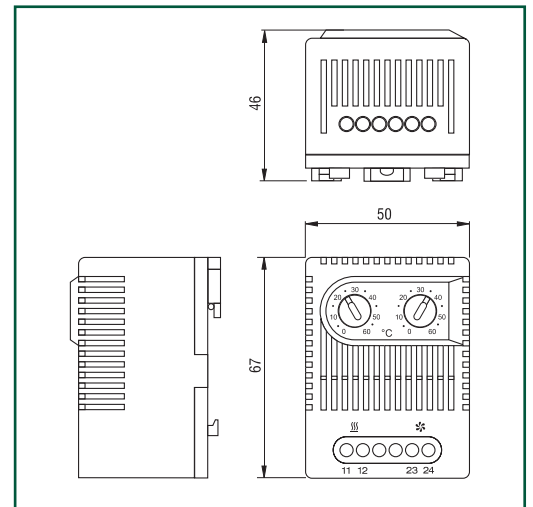
- thermostat (contact breaker, normally closed) for regulation heaters
- thermostat (contact breaker, normally open) for regulation filter fans and heat exchangers or switching signal devices when temperature limit has been exceeded.

TECHNICAL FEATURES

Adjustment range (NC – NO): $0^{\circ} \div 60^{\circ}\text{C}$
 Maximum opening capacity: 250 V AC, 10 (2) A / 120 V AC, 10 (2) A – DC 30 W
 Working life: > 100.000 cycles
 Connections: 2,5 mm², 4 poles
 Fixing: clip fixing on 35 mm DIN rails
 Housing: UL 94 VO thermoplastic material
 Dimensions: 50 x 67 x 46 mm.

PROTECTION RATING

IP20.



TECHNICAL SECTION

PRACTICAL GUIDANCE ON THE GENERAL SAFETY REQUIREMENTS FOR ENCLOSURES AND SWITCHGEAR AND CONTROLGEAR ASSEMBLIES

In an electrical panel (assembly) the following parts can be distinguished: an ENCLOSURE (support and protection of components housed inside it) and ELECTRICAL EQUIPMENT (devices, connections and terminals).

- **Primary distribution boards (Power Center – PC):** generally installed in the substation downstream of the MV/LV transformers or generators. Primary distribution boards have a high design current and short circuit withstand capability. The Power Center board represents the first level of LV distribution and includes one or more input units, bar connectors and is generally divided into functional units.
- **Secondary distribution boards:** the design current and short circuit withstand capability are lower than those of Power Centers. They represent the second level of energy distribution and include a wide category of assemblies.
- **Motor control center – MCC:** designed for the centralised control and protection of motors, they include the related switching and protection equipment and the auxiliary control and signalling equipment. Unlike the Power Center, each compartment does not contain just one switch/device, but all of the protection, control and signalling components intended for the control of each motor.
- **Control, measurement and protection boards:** they mainly contain equipment designed for the command, control and measurement of industrial plants and processes.
- **On board assemblies:** similar to those above from a functional point of view, these allow the machine to interface with the power supply source and with the operator.

All of these components must be designed and assembled to meet the safety requirements and be suitable for the specific physical ENVIRONMENT and OPERATING conditions of its intended use.

The assemblies are constructed in according to best practices if they comply with the requirements described in the product standards:

- EN61439 part 1 and part 2
- EN60204 part 1
- EN62208

harmonised, i.e. recognised, by European Directives:

- LV Dir.: 2006/95/EC
- MV Boards Dir.: 2006/95/EC
- EMC Dir.: 2004/108/EC
- ATEX Dir.: 94/9/EC .

The operating conditions are specified in terms of:

- 1 Corrosive agents, atmospheric agents (corrosion resistance)
- 2 Solar radiation (resistance to UV rays)
- 3 Strength of materials (lifting, IK mechanical impact, short circuit)
- 4 IP protection rating
- 5 Electromagnetic sources (EMC compatibility)
- 6 Over-temperatures and condensation
- 7 Presence of gas, dust and mists that can create potentially explosive atmospheres (ATEX).

PRODUCT CERTIFICATIONS

ENUX ENUXINOX	IP55 IK10	NEMA 1,12		●		●		●		●		●		●		●		●		●	
BIONIQ	IP55 IK10	NEMA1		●						●										●	●
ST / E COR INOX	IP66 IK10	NEMA * 1,12,4,4x	zone 1,2,21,22 II2GDc	●		●		●		●		●		●						●	●
E COR-EEEX	IP66 IK10	NEMA 1,12,4,4x	zone 1,2,21,22 II2ctDe T6	●		●		●		●		●		●		●				●	●
E COMP	IP55 IK10	NEMA 1,12	zone 1,2,21,22 II2GDc tx	●		●		●		●										●	●
SDV SDF E GRAN	IP66 / IP69K**/ IK10/	NEMA 1,12,4,4x	zone 1,2,21,22 II2GDc tx	●		●		●		●		●		●						●	●
SHX	IP66 IP69K IK10	NEMA 1,12,4, 4x		●		●		●		●										●	●
E COR TX	IP66 IK10	NEMA 1,12,4x								●										●	●
AE AEX ME MEX	IP55 IK10	NEMA 1,12		●						●										●	●
ZBA ZBX SBA SBX	IP55 IK10	NEMA 1,12		●						●										●	●
E MOX E MOX INOX	IP66 (1 door) / IP55 / IK10	NEMA 1,12	zone 1,2,21,22 II2GDc tx	●		●		●		●		●		●						●	●
E VIS	IP56 (1 door) / IP55 / IK10							●		●										●	●
EUPC	IP55									●										●	●
CR	IP55									●										●	●
ENUX STE SDVE	IP55 IK10	NEMA 1		●						●										●	●
WT	IP54	NEMA 1,3R,12				●				●										●	●

* Nema 4x only for E COR Stainless steel with single blank door
Nema 1,12 for double door/plexi door
** IP69K only for E GRAN stainless steel



	Usa Canada	Germany	Italy		Europe World		Italy/World	Italy
--	---------------	---------	-------	--	-----------------	--	-------------	-------

UL
International

TUV
Rheinland

CE

Atex

GOST

IMQ

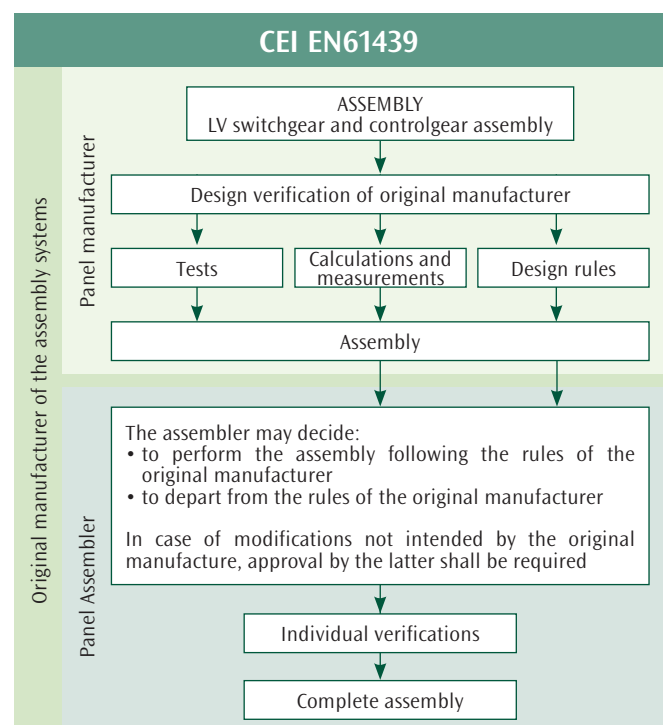
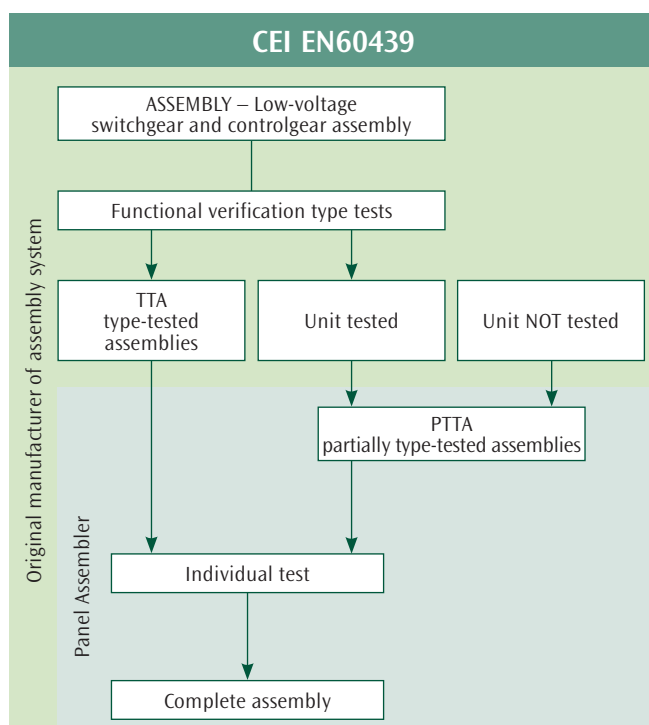
Istituto
italiano di
saldatura

UL508A UL50 C22.2 n° 14-95 e CAN/CSA-C22.2 N°94 - M91	IEC EN62208 / DIN 40050 (IP69k)	Naval Certification	EN62280	Atex Explosive Cert.	Gost-R- 51321.1- 2000 Russian Standard	EN 13980	UNI EN ISO9001	UNI EN ISO15614-1 cert.n. LB0017/10
--	---	------------------------	---------	----------------------------	---	-------------	-------------------	--

FOCUS ON TESTS (TYPE TESTING) ACCORDING TO THE NEW EN61439-1

N°	CHARACTERISTICS TO BE VERIFIED	CLAUSES OR SUBCLAUSES	VERIFICATION OPTIONS			
			VERIFICATION BY TESTING	VERIFICATION BY CALCULATION	VERIFICATION BY DESIGN RULES	
1	Strength of materials and parts of the ASSEMBLY	10.2				
	Resistance to corrosion	10.2.2	YES	NO	NO	
	Properties of insulating materials	10.2.3				
	Thermal stability	10.2.3.1	YES	NO	NO	
	Resistance of insulating material to normal heat	10.2.3.2	YES	NO	NO	
	Resistance of insulating material to abnormal heat and fire due to internal electric effects	10.2.3.3	YES	NO	NO	
	Resistance to ultra-violet (UV) radiation	10.2.4	YES	NO	NO	
	Lifting	10.2.5	YES	NO	NO	
	Mechanical impact	10.2.6	YES	NO	NO	
	Marking	10.2.7	YES	NO	NO	
	2	Degree of protection of enclosures	10.3	YES	NO	YES
	3	Clearance and creepage distances	10.4	YES	YES	YES
4	Protection against electric shock and integrity of protection circuits	10.5	YES			
	Effective continuity between the exposed conductive parts of the assembly and the protective circuit	10.5.2	YES	NO	NO	
	Effectiveness of the assembly for external faults	10.5.3		YES	YES	
5	Installation of switching devices and components	10.6	NO	NO	YES	
6	Internal electrical circuits and connections	10.7	NO	NO	YES	
7	Terminals for external conductors	10.8	NO	NO	YES	
8	Dielectric properties	10.9				
	Power frequency withstand voltage	10.9.2	YES	NO	NO	
9	Impulse withstand voltage	10.9.3	YES	NO	YES	
	Temperature-rise limits	10.10	YES	YES	YES	
10	Short-circuit withstand	10.11	YES	YES	YES	
11	Electromagnetic compatibility (EMC)	10.12	YES	NO	YES	
12	Mechanical operation	10.13	YES	NO	NO	

The verifications listed in point 1 do not need to be repeated by the assembly manufacturer if the enclosure has already been verified by the manufacturer in accordance with EN62208 (a benefit - in terms of costs and time - to take into consideration when selecting the enclosure manufacturer).



FOCUS ON THE TEST REQUIREMENTS OF EN62208

TESTS	CLAUSE	REQUIREMENT APPLIED BY ETA	SEE ON PAGE
Marking	9.3	•	311
Static loads	9.4	•	322 and 324
Lifting	9.5	•	324
Axial loads of metal inserts	9.6	•	
Degree of protection against mechanical impacts (IK code)	9.7	•	313
Degree of protection (IP code)	9.8	•	312
Thermal stability	9.9.1	•	
Resistance to normal heat	9.9.2	•	
Resistance to abnormal heat and to fire	9.9.3	•	
Dielectric strength	9.10	•	316
Continuity of the protective circuit	9.11	•	316
Resistance to ultra-violet (UV) radiation	9.12	•	321 and 323
Resistance to corrosion	9.13	•	321 and 323
Thermal power dissipation capability	9.13	•	

CE MARKING (FOR THE EUROPEAN MARKET)

The manufacturer (or the party bearing responsibility for the wired assembly) is required to affix a clearly visible plate during installation and operation of the assembly. The enclosure, in turn, must be identified by a plate or marking that permits the manufacturer of the assembly to obtain information on the type of enclosure and the manufacturer. The manufacturer's plate may be inserted inside it and should not be confused with the plate for the wired assembly. ETA products are equipped with internal marking indicating the trademark, model and the logos of the third party certification bodies. CE Marking, compulsory for the EU market, is the "visual sign of conformity of a product to the requirements of applicable directives". The other certifications represent voluntary and responsible compliance to the minimum requirements of product standards.






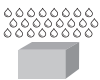





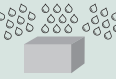






DEGREE OF PROTECTION IP (EN60529)

Protection against direct contact with live parts of the assembly must be guaranteed. The enclosure is designed to ensure protection of equipment against specific external influences and protection in all directions from direct contact, with a protection rating of at least IP2X. Protection against indirect contacts (i.e. protection against faults) is achieved using insulation. The enclosure manufacturer guarantees the protection rating of its product as sold, i.e. empty. The assembly manufacturer is responsible for the definition of the protection rating of the complete and finished assembly (through testing or through design verification analysis). Where an empty enclosure in accordance with EN62208 is used, and no external modification has been made that may result in deterioration of the protection rating, no further testing is required.

Note: the openings made for cable entries and/or for installing the devices, may lower the protection rating: therefore, it is important that the holes are made according to best practices and that seals are used to ensure, by the manufacturer, that the initial conditions are maintained, where possible. If this is not possible, the protection rating of the enclosure must be downgraded (it cannot be less than IP2X).

It is important to keep in mind that the higher the protection rating, the greater the reduction in value of natural power dissipation from the enclosure (see paragraph).

The degree of protection IP is essentially defined by two characteristic numerals (EN60529):

IP 1ST DIGIT = SOLID		IP 2ND DIGIT = LIQUID/GAS	
0	 No protection	0	 No protection
1	 Protection against solid bodies above 50 mm (E.G. Involuntary hand contact)	1	 Protection against vertically falling water drops
2	 Protection against solid bodies above 12 mm (e.G. Finger)	2	 Protection against water drops falling with up to 15° inclination
3	 Protection against solid bodies above 2.5 mm (tools, wires)	3	 Protection against water splashes from all directions
4	 Protection against solid bodies above 1 mm (thin tools, thin threads)	4	 Protection against water splashes from all directions
5	 Protection against dust (no noxious deposits)	5	 Protection against jets of water from all directions
6	 Total tightness to dust	6	 Protection against water splashes similar to sea waves
		7	 Protection against immersion
		8	 Protection against submersion

IP SEALS

Generally, the enclosure has a seal applied around the perimeter of all closing panels (doors, side panels, rear panels, covers).

POLYURETHANE SEAL

HF1 fire resistance (as per standard UL94).
Optimal environmental conditions for use: temperature: $-40^{\circ}\text{C} < T < 100^{\circ}\text{C}$.

EMC GASKETS

Made of 3 parts: an EPDM core (ensuring the protection rating), a metal fabric coating (that ensures dielectric continuity between the structure and panels) and non-woven double-sided tape, very tough and applied on one side (ensuring adherence and resistance)
Optimal environmental conditions for use: temperature: $-40^{\circ}\text{C} < T < 100^{\circ}\text{C}$.

SILICONE GASKET

Used on the new ranges of stainless steel ETA products, it is resistant to most detergents, hot water jets and is easy to clean.
Optimal environmental conditions for use: temperature: $-50^{\circ}\text{C} < T < 200^{\circ}\text{C}$.



IK RATING (ACCORDING TO EN62202)

Indicates the level of protection provided by the enclosure to the equipment against harmful external mechanical impacts (including vandalism). The test is carried out by applying impact energy, as outlined below: after the test, there must be no failure or deformation likely to compromise the IP rating.
All ETA products are marked with the maximum rating IK10 = maximum resistance corresponding to the impact of a 5 kg object thrown from a distance of 40 cm.

IK CODE	IK00	IK01	IK02	IK03	IK04	IK05	IK06	IK07	IK08	IK09	IK10
Impact energy Joule	0,14	0,2	0,35	0,5	0,7	1	2	5	10	20	40



NEMA (TYPE)

For Canada and America, the protection degree is defined as NEMA or TYPE and it also indicates the type of use (indoor and outdoor), not only protection from solids and liquids.

NEMA TYPE		NEMA National Electric Manufacturers Association (NEMA 250) Ed Eemac Electrical and Electronic Manufacturers Association Of Canada UI Underwriters Laboratories, Inc.
1	Indoor use	Protection of contact with internal equipment.
4	Indoor and outdoor use	Protection against rain, snow and wind-blown dust, sprayed and direct water, and damage due to external icing
12	Indoor use	Protection against dust, falling dirt and non-corrosive dripping fluids.
3R	Outdoor use	Protection against heavy rain and light snow. It prevents ice formation on the inside.
4X	Indoor and outdoor use	Protection against corrosion, wind-blown dust, rain, water sprays and water jets from hoses. It prevents ice formation on the inside.

SEPARATION

The inside of an electrical panel (assembly) can be separated using barriers or partitions, metallic or non metallic, to obtain conditions that limit the contact of live parts of the single functional units (switches).

Such separation must:

- Ensure safe access to parts cut off from the power supply, in relation to live parts (IPXXB)
- Reduce the probability of propagation of an internal arc
- Prevent the passage of foreign bodies between internal live parts (IP2X)

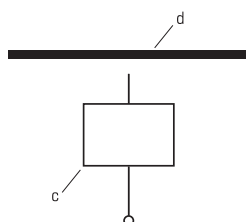
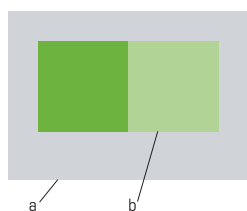
The separation criteria and various modalities are covered in EN61439-2, which considers 7 different forms of separation using barriers or partitions, starting from no internal separation (assembly with no internal barriers between the various functional units and/or busbars) up to form 4b of separation (i.e. the functional units are separated from the input busbars, output terminals and from one another).

Note: the functional unit is part of a device (assembly) comprising all the electrical and mechanical elements that contribute to the fulfilment of the same function. E.g. input/output switches, measurement unit, engine control unit etc.

By using ETA enclosures and structures it is possible to make all forms of separation provided in the standard.

Note: when the verification of the temperature rise is carried out through calculations, if the project is designed with more than 3 separations, the calculation according to standard CEI 17/43, which the QuadroPlan software program is based on, no longer applies. Furthermore, the greater forms of separation serve in very special cases, which require maintenance or operations ensuring the safety and continuity of service, i.e. to permit access to equipment cut off from the power supply in relation to those nearby.

FUNCTIONAL UNIT



LEGEND

- a. Enclosure
- b. Internal separation
- c. Functional Units, including terminals for associated external wires
- d. Bars, including distribution bars

FORM 1

No internal separation

FORM 2

Separation of busbars from the functional units

FORM 2A

Terminals not separated from the busbars

FORM 3

Separation of the busbars from the functional units, plus separation of the functional units from one another

FORM 3A

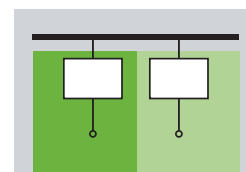
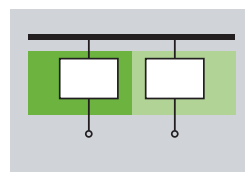
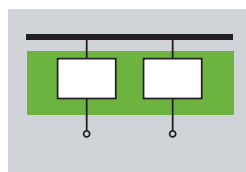
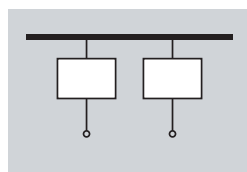
Terminals not separated from the busbars

FORM 4

Separation of the busbars from the functional units, plus separation of the functional units from one another, plus separation of the terminals from one another

FORM 4A

Terminals in the same compartment as an integral part of the functional unit



FORM 2B

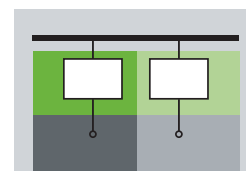
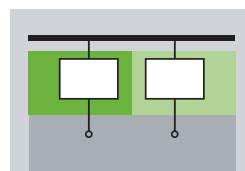
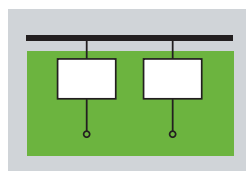
Terminals separated from the busbars

FORM 3B

Terminals for external conductors separated from busbars

FORM 4B

Terminals for external conductors not in the same compartment as the associated functional unit



OVERTEMPERATURE AND CONDENSATION (DUE TO EXPOSURE TO LOW TEMPERATURES)



In environments where the walls reach, on their inner surface, temperatures below the dew point temperature of ambient air, the phenomenon of surface condensation occurs, resulting in the accumulation, on the surfaces of the walls, of a quantity of water that cannot be contained in the air in the form of vapour. Surface condensation is closely related to the internal surface temperature of the wall and therefore depends on, not only the temperature and relative humidity of the ambient air, but also the amount of insulation offered by the wall itself. Generally, surface condensation is closely related to the degree of thermal insulation provided by the wall, since, for an ambient with given thermo-hygrometric characteristics (air temperature and humidity), condensation depends on the temperature where the internal face of the wall is located.

To prevent surface condensation phenomenon, one only needs to keep the internal temperature of the walls above the dew point temperature of ambient air, and therefore check that: $t_{pi} > t_R$

The value of dew point temperature t_R can be obtained from the Mollier diagram for moist air (where the ambient air temperature and its relative humidity are known), while to calculate the surface temperature it is necessary to estimate the heat balance of the wall (refer to Software QuadroPlan).

Note: if the maximum surface temperature is insufficient to prevent condensation, an anti-condensation space heater can be used to maintain the indoor air – and therefore the surface air – at the desired temperature. To size the heater, the cabinet (or enclosure) open surface must be determined on the X-axis, the intersection point on the ΔT oblique line indicates the necessary thermal power on Y-axis.

Formula:

$$P = K \times S \times \Delta T$$

where:

P = dissipated thermal power [Watt]

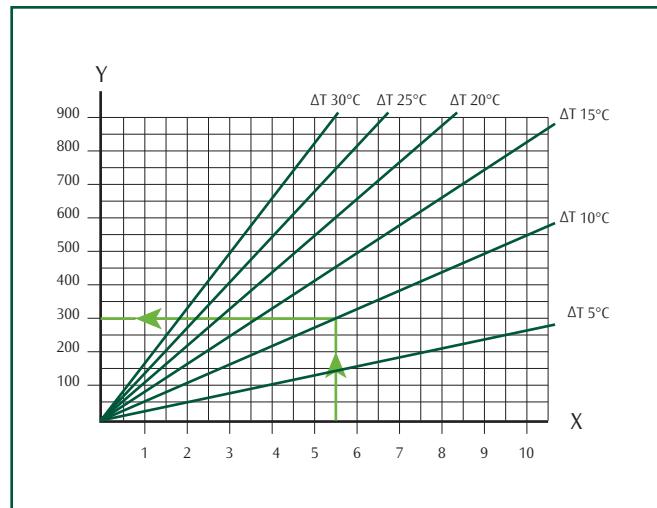
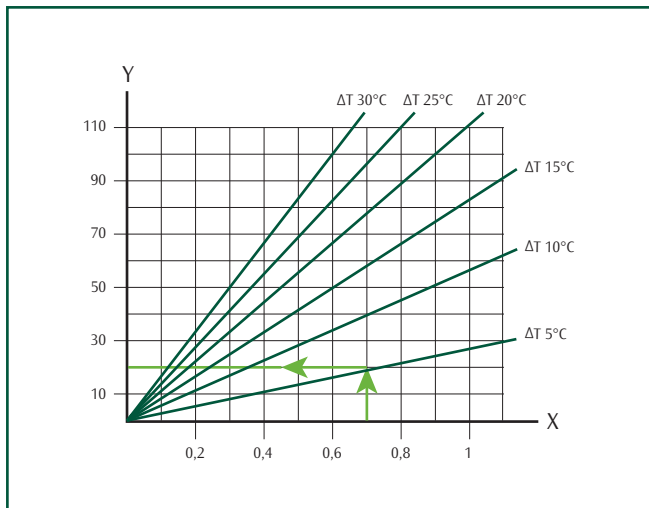
K = heat dissipation coefficient for the enclosure material (for painted sheet steel $K=5.5$ [W/m²°C])

S = open cabinet surface [m²]

$\Delta T = (T_i - T_e)$

T_i = desired internal temperature

T_e = external temperature [°C].



Adding appropriate thicknesses of insulation materials helps to prevent surface condensation phenomenon because insulation raises the surface temperature of the wall to above the dew point temperature.



EARTH CONNECTION (CONTINUITY OF THE PROTECTIVE CIRCUIT)

The electrical panel (assembly), consisting of an enclosure with equipment and connection conductors, to provide protection against indirect contacts, must have the exposed conductive parts earthed by means of a protective circuit.

A suitable sized conductor is required for earthing any accessible parts of the enclosure where the devices are installed or for any part that could become live under fault conditions (e.g. insulation fault of a cable etc.). However, if no equipment is installed, the contact made with screws and metal hinges between the structure and assembly is sufficient for achieving equipotential bonding. All external metal parts that are not likely to come into contact with internal live parts, or that cannot be touched, do not need to be earthed.

The ETA product range includes earthing materials (screws, nuts and washers) and the instructions for correct installation. The E NUX cabinet fully meets all earthing requirements: its structure can be used as a conductor, as long as the screws that comprise the load bearing structure are properly tightened using the toothed lock washer, that will cut into the paint and therefore create electrical continuity between the welded joint on the upright and the welded portion of the crosspieces. The assembly manufacturer can connect the panels to the structure electrically, then the structure to the main protective bonding circuit, and the latter to the earthing system. In this way all of the exposed conductive part of the enclosure, identified as such by the assembly manufacturer, will be earthed and equipotential to each other. The measurement methods used are those specified in clause 9.11 of standard IEC EN62208.



SHORT CIRCUIT

The short circuit withstand rating, specified by the original manufacturer of the assembly, must be verified by application of design rules, calculation or testing. The assembly must be manufactured to withstand thermal or dynamic stress up to the established short circuit values.

CESI TEST REPORT

Manufacturer	ETA SPA
Operating voltage (Ue)	400 V
Insulation voltage (Ui)	660 - 690 V
Frequency	50 Hz
Current of the main busbars (omnibus)	3500 A
Current of busbar ends 60 x 10	1150 A
Admissible rated short-time withstand current (I _{cw}) and rated peak withstand current (I _{pk}) of the protective circuit	80 kA per 1 s - 176 kA
Allowable rated short-time withstand current (I _{cw}) and rated peak withstand current (I _{pk}) of the main busbars and busbar ends	48 kA per 1 s - 101 kA



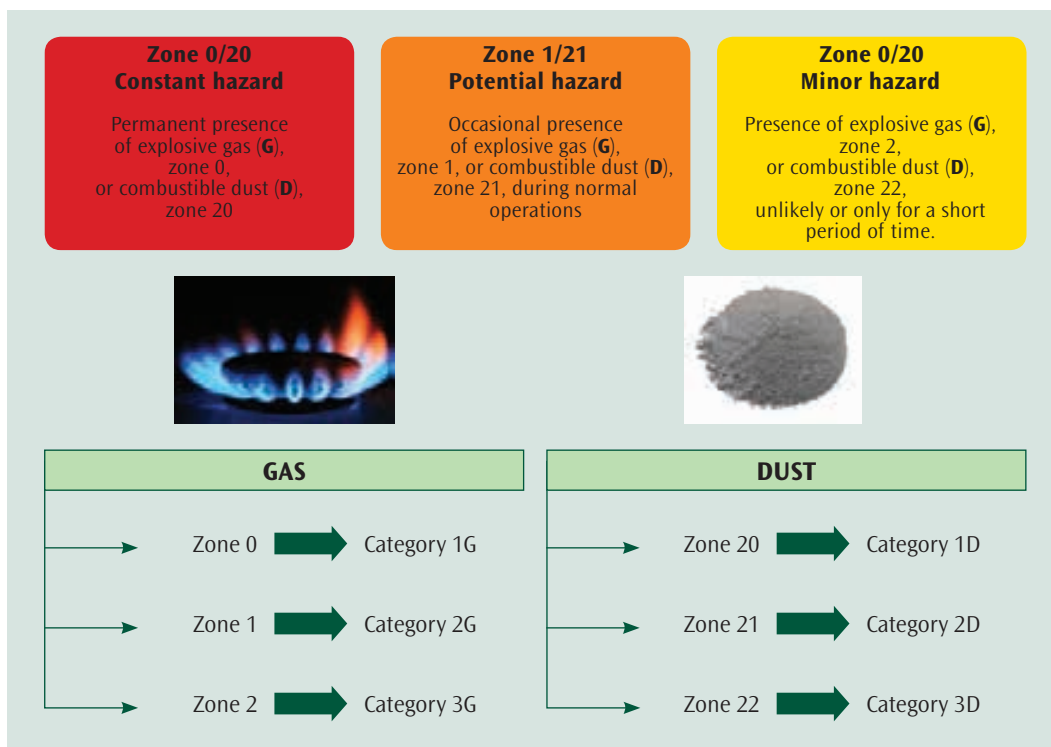
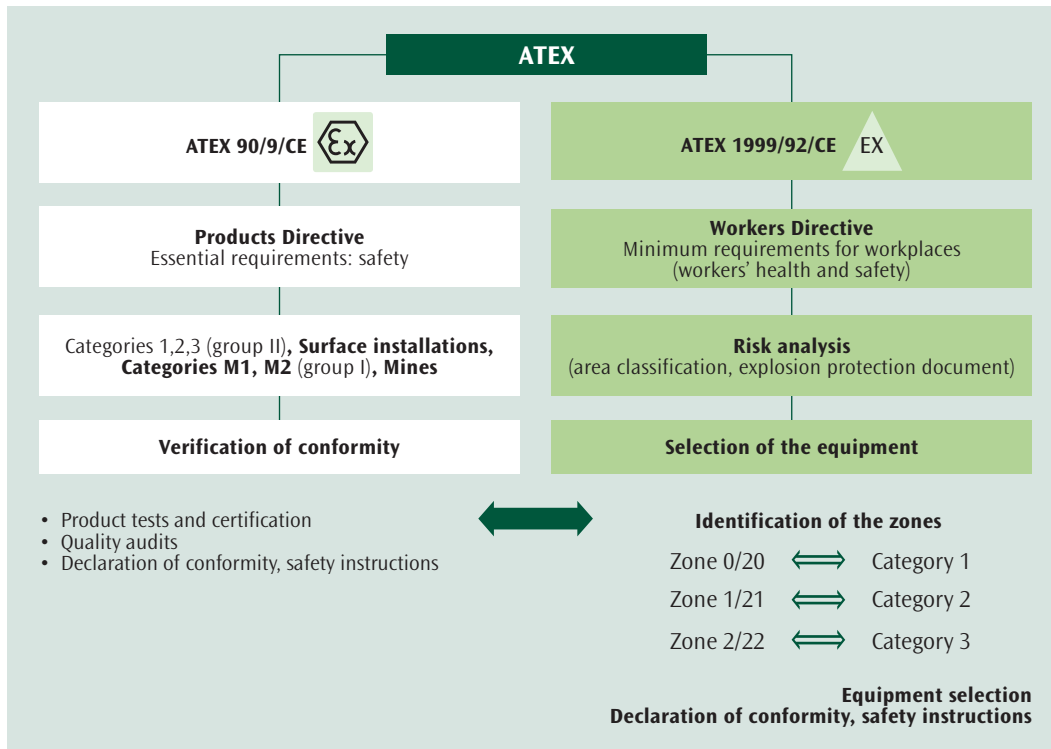
APPLICATIONS IN EXPLOSIVE ATMOSPHERES AND TYPES OF PROTECTION FOR LV AND ON-BOARD ASSEMBLIES (DIRECTIVE 94/9/EC/ATEX)

The ATEX directive for explosive atmospheres applies to electrical and mechanical equipment and protective systems for use in Potentially explosive atmospheres, i.e. work environments where there is dust, gas and mists which in certain conditions (temperature, concentration and source of ignition) can cause an explosion.


In accordance with the Directive, the installers must, in particular:

- know the classification of the work areas and their extension, provided by the end user, who has the obligation to carry out a risk assessment in the work environments
- design and implement safety measures for the equipment from both an electrical and mechanical standpoint, based on where it will be installed (this determines the need to use suitable components).

If the end user has confirmed the presence of an explosion risk in the workplace and therefore has classified the work areas (as required by Directive 99/92/EC and also Legislative Decree 81/08, the end user must implement prevention procedures to minimise the risk of explosion (e.g. adjusting the temperature or concentration of the potential sources) or select appropriate protection systems to minimise the effects of a potential explosion. We would like to remind you that three elements are required for an explosion to occur: fuel + oxygen +



ignition source (heat). By inhibiting or eliminating just one of the 3 elements you can reduce the risk:
 Containment: the explosion is contained within specific enclosures that do not allow its propagation to the external environment.
 Prevention: the reliability of the electrical components is increased so that no sparks are generated and hazardous temperatures are reached during normal use. Example: limiting the heat (increased safety and construction safety).
 Segregation: the live electrical parts or hot surfaces are physically separated from the explosive mixture, so that there is never any contact with the source of ignition. Example: removing the fuel (pressurisation, liquid immersion, encapsulation).
 The selection of the equipment based on the ignition temperature of the substances is one of the most important aspects to ensure the safety of the installations against the risk of explosion.

EX STRUCTURE THAT CAN BE USED BASED ON THE CLASSIFICATION OF ZONES													
HAZARDOUS AREA	ZONE	PRESENCE EXPLOSIVE MIXTURE	MARKING ON EQUIPMENT	TYPES OF PROTECTION ALLOWED									
				ia	d	e (*)	ib	m	o	q	p	n	tD (**)
Presence of gas, vapour or mist	0	Continuously or for long periods	II 1G	x	-	-	-	-	-	-	-	-	 Protection using dust tight enclosures marking standard zone "Ex tD" II 2D, standard IEC 61241-1, zone 20, 21, 22
	1	Occasionally	II 2G	X	X	X	X	X	X	X	X		
	2	Only for faults or very short periods	II 3G	X	X	X	X	X	X	X	X		
Presence of dust	20	Continuously or for long periods	II 1D										X
	21	Occasionally	II 2D										X
	22	Only for faults or very short periods	II 3D										X

(*) Equipment that does not produce arcs, sparks or dangerous temperatures during normal operation (non sparking construction). Additional protection measures are applied, in order to provide increased safety with a higher safety factor, which must prevent the formation of arcs/sparks or the possibility of temperatures that could ignite the explosive mixture; this is made possible by a general oversizing of both insulating materials and the active electrical parts with respect to electrical constructions of normal industrial productions, which are already non-incendive.

(**) Dust ingress protection and surface temperature limitation. The electrical components that could ignite an explosive atmosphere, high temperatures, sparks, etc. are housed in enclosures with a degree of protection IP6X; in zone 22 with non-conductive dust, a degree of protection IP5X is permitted. Moreover, the external surface temperature of the equipment is kept lower than the maximum surface temperature.

The selection criteria are different depending on whether the equipment is intended for gas or for dust. If gas is present, the surface temperature of the electrical equipment must not be greater than the ignition temperature of the hazardous substance present (temperature classes from T1 to T6). If dust is present, the minimum ignition temperature is defined for a layer with a thickness of 5 mm (chart) for each type of dust. The maximum surface temperature (T) of the equipment must not exceed the lower value between $T_{max} = (2/3) T_{ignition}$ and $T_{max} = T_{5mm} - 75$ (where 75 K = safety margin).

E.g. Markings



EMC - ELECTROMAGNETIC COMPATIBILITY (DIRECTIVE EN61000-5-7)



The “Electromagnetic compatibility” Directive concerns components that emit electromagnetic (EM) waves. Our products - as they are not EM wave sources - are not subject to the above EMC Directive, however they can provide a barrier for the EM waves that propagate from internal and external sources. This allows a significant reduction of the intensity of these EM waves and, accordingly, the disturbance that they cause to equipment installed within the assembly. The standard cabinet made of painted steel is able to provide an average attenuation of EM waves taking advantage of its conductivity characteristics and, in addition, through the equipotential earthing of the different components (plate, panels, door, structure).

In particular, the EMC cabinet, thanks to its unique structural characteristics listed below, can SIGNIFICANTLY reduce the intensity of the electromagnetic field in the electric and the magnetic component, and thus provide appropriate support to the customer in complying with the Electromagnetic Compatibility Directive.

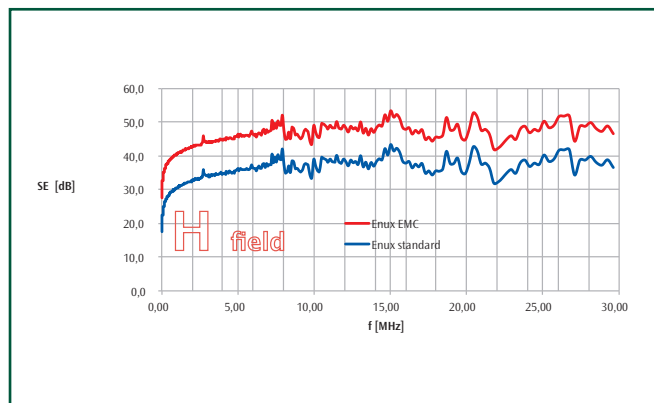
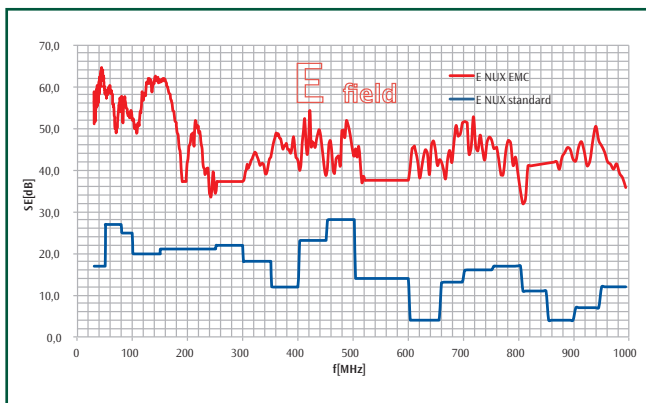
EMC testing is not required when:

- the assembly does not contain electrical equipment
- the installed electronic equipment is CE-marked.

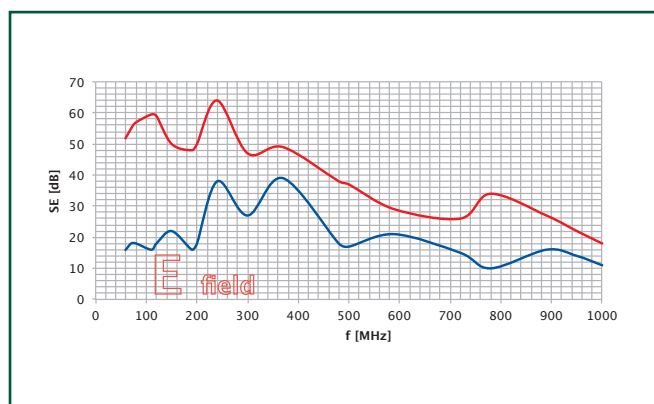
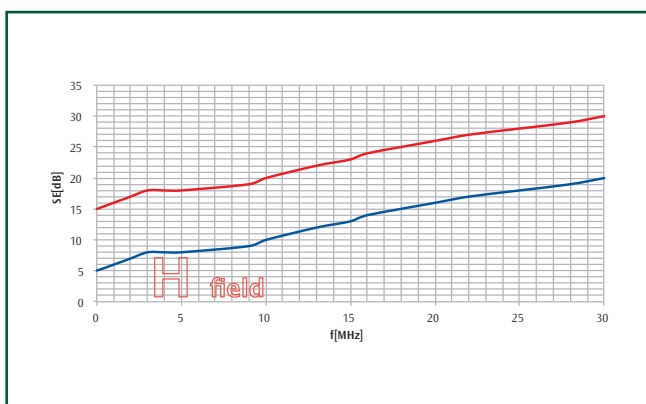
Stainless steel cabinets can also effectively reduce electromagnetic waves.

The tests on the EMC version of ETA products are conducted at the NEMKO laboratory.

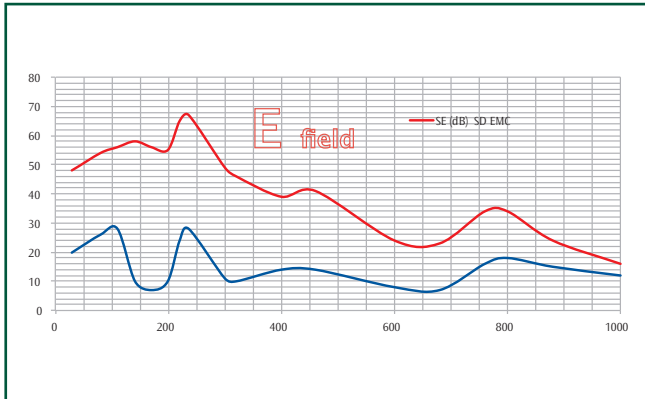
Cabinet E NUX (EMC vs. standard)



ST wall mounting boxes (EMC vs. standard)



SD terminal boxes (EMC vs. standard)



Legend for charts:

- 1 Refer to a range of frequencies used (shown on the horizontal axis).
- 2 Read the corresponding attenuation range on the vertical axis. This value in decibels represents the difference of the field value without a barrier (free field) and with a barrier.

THE MECHANICAL STRENGTH OF THE MATERIALS (STEEL AND ALLOYS) USED FOR THE PRODUCTS



LOW-CARBON STEEL

Suitable for all types of cold forming and heat-mechanical treatments. To increase chemical resistance it is subjected to surface treatments

Surface treatment
GALVANIZING
PAINTING

HSLA HIGH-STRENGTH LOW-ALLOY STEEL

Excellent for all types of cold forming and heat-mechanical treatments. Perfect for structural support elements

Surface treatment
GALVANIZING
PAINTING

STAINLESS STEEL

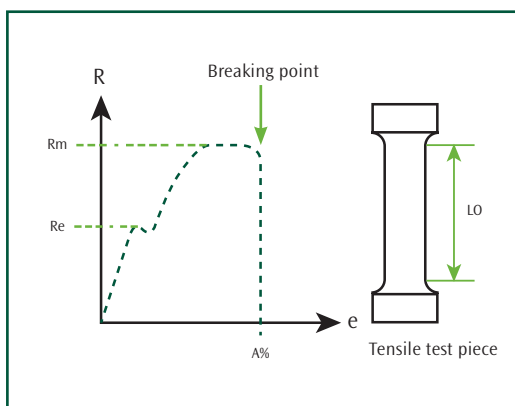
Insensitivity to low temperatures, high fire resistance, greater mechanical strength. Hygiene, sturdiness, UV ray resistance, conductivity for earthing. High corrosion resistance. Weather resistance, UV rays stability

Surface treatment
2B + Scotch Brite® finish
+ Protective PVC cover
PAINTING (optional)

ALUMINIUM ALLOY

High corrosion resistance, high thermal and electrical, excellent ductility and malleability, low radiant power

Surface treatment
ANODIZING
PAINTING



Re is the minimum yield strength of steel

As long as the service stresses do not exceed this value, the element stressed by the action returns to the initial state at the end of the action.

Rm is the tensile strength at break

This data is not directly used in calculating the strength of metal building material. This characteristic is taken into account, in particular, to determine the fatigue strength of the metal elements subjected to cyclic loads.

DC01

Re= 280 N/mm²

Rm=270-410 N/mm²

HC260LA

Re= 330 N/mm²

Rm =350-430 N/mm²

AISI304L

Re= 500-700 N/mm²

Rm=295-326 N/mm²

AlMg3

Re=224 N/mm²

Rm=132 N/mm²

e nux

High-yield strength steel HC260LA, widely used in the automotive industry and selected for manufacturing the E NUX cabinet structure, offers a higher degree of mechanical strength compared to traditional steels and is particularly suited for structures subject to stress and strain or shock. The guarantee of minimum yield value already at the time of supply (i.e. higher yield and greater tensile strength), makes it possible to act on the thickness of the material, while maintaining the mechanical properties and structural safety, ensuring high levels of performance.

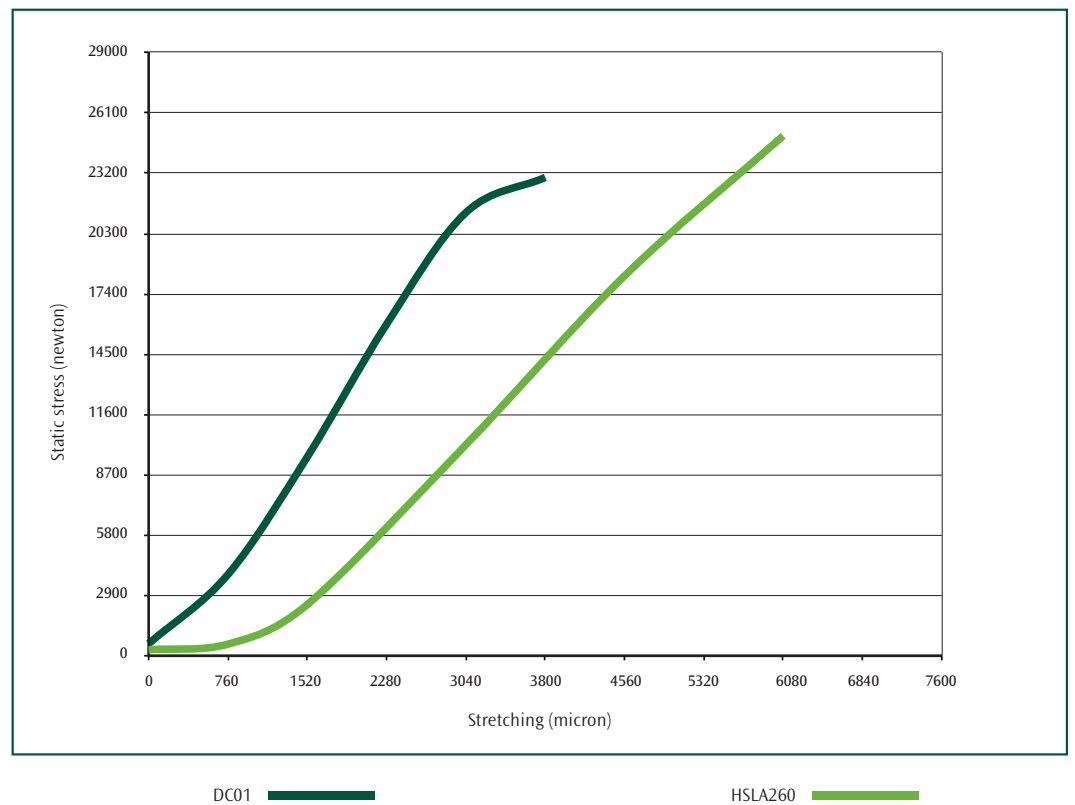


STATIC AND DYNAMIC LIFTING TEST



Carried out with the certification body TÜV Rheinland

TENSILE STRENGTH TESTS



SURFACE TREATMENTS

For INDOOR applications (generally in environments classified as C1, C2 according to EN12944), it is advisable to choose standard dust and standard cycle as the dust is resistant to mineral oils, lubricants, emulsions and cleaning products with low acid content and diluted in concentrations of less than 5%. In presence of particularly harsh chemical substances, the E.T.A. technical staff is available to evaluate the possibility of an ad hoc solution.



For OUTDOOR applications (generally in environments classified as C3), environmental factors (ice, snow, rain, sun, wind, humidity) need to be considered in order to select an assembly with an appropriate IP protection rating (installing a protective roof, if necessary) Polyester powders are recommended for products installed outdoors, because they are very resistant to UV rays. In average corrosion and humidity conditions, anticorrosive zinc-based powder is a valid solution. For environment with high salinity and high levels of pollution (generally areas in the C4 category: industrial areas and coastal areas, or C5: chemical petrochemical industries, marine environments, offshore), we recommend using zinc plated steel coated with special powders for outdoor use or polished stainless steel and, if necessary, painted.

For INDOOR and OUTDOOR applications (food, chemical, petrochemical industries) requiring a high degree of hygiene and/or resistance to chemical and environmental agents, ETA recommends its AISI 304L and AISI 316L stainless steel products. Stainless steel materials are alloys of iron, chrome and carbon, enriched with other elements such as nickel, molybdenum, silicon, titanium, etc. They stand out for their high resistance to corrosive attacks from external factors. This characteristic is determined by the spontaneous formation of a thin layer of chromium oxide on the stainless steel surface, which protects the metal below from corrosive attacks and from the presence of other elements, such as nickel, molybdenum, titanium, etc. This layer, very stable and tough, prevents direct contact between the surrounding atmosphere and the steel. Unlike conventional protection coatings (zinc-plating, painting, etc.) it has the capacity to restore itself after accidental breaks, making the material intrinsically resistant to corrosion. There are different degrees of stainlessness or, in other words, a scale of nobility, determined by the chemical composition. The steel selected by ETA is austenitic AISI 304L and 316L, where the L stands for low carbon, which makes the steel even more resistant to corrosion. The presence of elements such as Chrome Nickel and Molybdenum improve the intrinsic characteristics of stainless steel. The durability of the product subject to salt spray and condensation atmosphere testing depends on:

- sheet type
- production process
- wash cycle
- painting
- powder used

Ageing depends on the different environmental conditions that the installed product is subject to.

Quality: 100% visual inspections.

Periodical E.T.A. in-house laboratory tests of the process on painted samples:

- visual inspection of the surfaces
- thickness testing
- adhesion testing (ISO 2409)
- film adherence test: piercing and bending
- salt spray test as per ISO 9227
- resistance to humidity test as per ISO 6270.

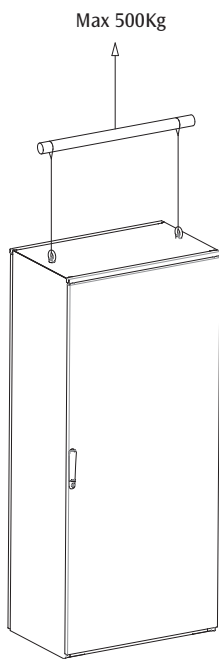




LIFTING CRITERIA

The test was carried out according to EN62208 for static and dynamic lifting in order to guarantee the description below. If the lifting is from above, using ropes in good condition and of the proper size for lifting. The units must be hooked with lifting eyebolts, with brackets or, in case of batteries, with lifting crosspieces as instructed below. In case of lifting with a forklift or pallet truck, take care to lift with the forks properly spaced.

E MOX – E COMP



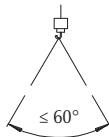
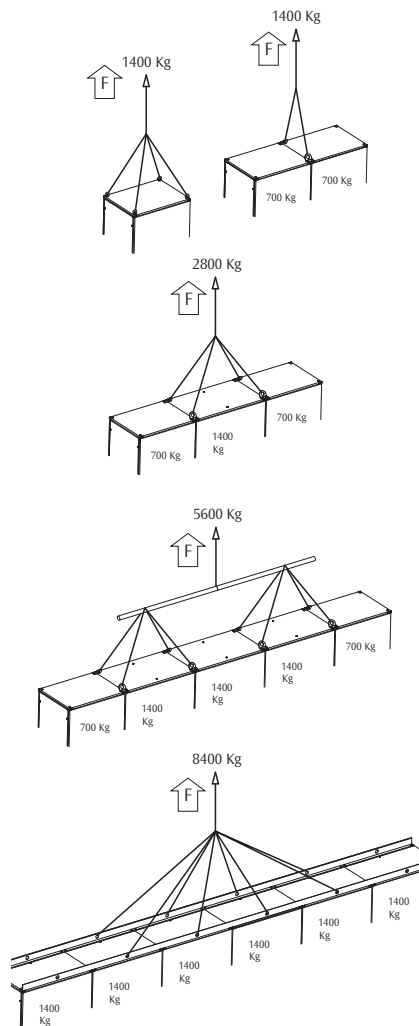
90°

The angle at the rope junction must be 90°



The loads inside the cabinet are intended as equally distributed throughout the volume

E NUX

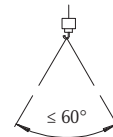
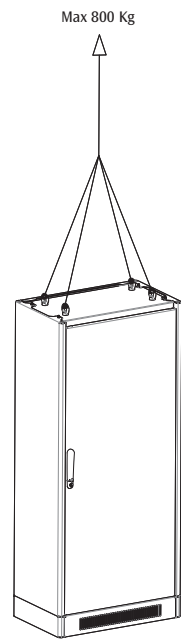


The angle at the rope junction must not exceed 60°



The loads inside the cabinet are intended as equally distributed throughout the volume

E VIS



The angle at the rope junction must not exceed 60°



The loads inside the cabinet are intended as equally distributed throughout the volume

SEISMIC DESIGN

Seismic design starts from the seismic vulnerability assessment of the structure located in different geographical scales; the project refers to two activities carried out during the consultancy between the Eucentre Foundation in Pavia, TREES Lab (Laboratory for Training and Research in Earthquake Engineering and Seismology) and ETA.



MODELLING AND NUMERICAL SIMULATION

In the first task of mathematical simulation, the analysis is based on the increasing values of acceleration PGA from 0.35g to 1.5g, where PGA stands for Peak Ground Acceleration (measure of earthquake acceleration on the ground). The PGA of a site is expressed as acceleration on hard ground, and that is to say net of any amplification effects due to the different soil beneath the structure; the spectra considered were applied separately in both the x and y direction.

SIMULATION ON A SHAKE TABLE

For the second simulation activity on a shake table, the known earthquake spectra was used, which are considered as representative. The recorded values of acceleration, displacement and velocity of various seismic events were applied to the 2 prototypes in order to achieve maximum accuracy. The two prototypes were tested both parallel and perpendicular to the direction of displacement (x,y). After the first test, the samples were carefully inspected to check that there were no structural failures. The subsequent tests were conducted by increasing the values of each spectra by up to 1.5% and then repeating the check on the structures (hinges, screws, fasteners). The technical solutions offered by ETA are the result of the combination of the two research activities (modelling and numerical simulation and simulation on a shake table). To make the right choice, we recommend that you check the seismic data available at the installation site and consult page of our catalogue on page 68.



TEMPERATURE RISE IN ASSEMBLIES

An electrical panel (assembly) is a system made up of a fluid (air) and of solid bodies including devices which, due to the Joule effect, current passes through and heats them up. The evolution towards thermal equilibrium involves the transfer of heat from live parts (devices, conductors ...) to the parts in contact with the devices and from these to the surrounding environment.

Heat transfer takes place by means of:

- conduction (transfer of heat inside solid bodies)
- radiation (transfer of heat between solid bodies separated by a medium)
- convection (transfer of heat between a solid body and a moving fluid).

The temperature inside the assembly increases until it establishes at a T_i value that differs from the external temperature T_e . IEC EN60439-1 lays down the temperature rise limits which must not be exceeded in certain points of the assembly. Verification can be done using the calculation procedure provided in standard CEI 17/43. In principle, this method is applied to enclosures for which the following assumptions apply:

- 1 even distribution of dissipated power;
- 2 devices arranged in a way that does not impede air circulation;
- 3 no more than three horizontal separation
- 4 The data required for the calculation are: dimensions of the enclosure, the power dissipated in the enclosure (devices, conductors) and the type of installation (insulated assembly, or insulated at one end...).

Note: QuadroPlan software – available online for download – allows you to calculate the power dissipated by the surfaces and offers an over-temperature calculation module; furthermore, dissipation tables of the sheet used for ETA products are available in the reserved area at www.eta.it.

quadroplan

INDEX

CODE	PAGE	CODE	PAGE	CODE	PAGE
AE123	188	B70010	273	BP7090150	274
AE1235	188	B70011	273	BP7090175	274
AE164	188	B70012	273	BP7090200	274
AE1645	188	B70013	273	BP7090200B	274
AE601	188	B70014	273	BP709025	274
AE802	188	B70015	273	BP709038	274
AE8025	188	B70016	273	BP709050	274
AEX1-23	230	B70017	273	BP709063	274
AEX1-64	230	B70018	273	BP709075	274
AEX6-01	230	B70019	273	BP709088	274
AEX8-02	230	B70020	273	BP8080100	272
ATZE-A100	173	B70021	273	BP8080125	272
ATZE-A200	173	B70022	273	BP8080150	272
ATZE-T0300S	173	B80001	272	BP8080200	272
ATZE-T0400A	173	B80002	272	BP808025	272
ATZE-T0600	173	B80003	272	BP8080300	272
ATZE-T0800	173	B80004	272	BP808050	272
ATZE-T1000	173	B80005	272	BP808075	272
ATZE-T1200	173	B80006	272	BQAA0500	269
B45001	271	B80007	272	BQAA0750	269
B45002	271	B80008	272	BQAA1000	269
B45003	271	B80009	272	BQAA1500	269
B45004	271	B80010	272	BQBA-001	275
B45005	271	B80011	272	BQBA-001	276
B45006	271	B9805062	272	BQBA-002	275
B45007	271	B9805063	272	BQBA-002	276
B45008	271	B9805129	272	BQBP-001	260
B45009	271	B9805130	272	BQBP-002	260
B45010	271	B9805132	272	BQBP-002	275
B45011	271	B9805176	272	BQBP-002	276
B45012	271	B9805177	272	BQC075	258
B45013	271	B9805296000	274	BQC130	258
B45014	271	B9806590000	274	BQC175	258
B45015	271	B9808012800	274	BQC230	258
B45016	271	B9808012900	274	BQC275	258
B45017	271	B9808014100	274	BQC330	258
B45018	271	B9808015300	274	BQC375	258
B50001	272	BKFK-001	264	BQC430	258
B50002	272	BP4560100	271	BQC475	258
B50003	272	BP4560125	271	BQE030	269
B50004	272	BP4560150	271	BQE035	269
B50005	272	BP4560200	271	BQEC0250	269
B50006	272	BP456025	271	BQEC0500	269
B50007	272	BP456050	271	BQEC0750	269
B50008	272	BP456075	271	BQEC1000	269
B50009	272	BP48100	274	BQF010	268
B50010	272	BP4825	274	BQF010	275
B50608001	272	BP4850	274	BQFC001	270
B50608002	272	BP4875	274	BQFC002	270
B50608003	272	BP5050100	272	BQFD-002	265
B60001	272	BP5050125	272	BQFK-001	260
B60002	272	BP5050150	272	BQFR-001	260
B60003	272	BP5050200	272	BQGR-001	270
B60004	272	BP505025	272	BQJ040	270
B60005	272	BP5050300	272	BQJ050	270
B60006	272	BP505050	272	BQK075	259
B60007	272	BP505075	272	BQK130	259
B60008	272	BP6060100	272	BQK175	259
B60009	272	BP6060125	272	BQK230	259
B60010	272	BP6060150	272	BQKU-003	259
B60011	272	BP6060200	272	BQKU-003	265
B70001	273	BP606025	272	BQLBP-001	264
B70002	273	BP6060300	272	BQLBP-002	264
B70003	273	BP606050	272	BQLBP-002	275
B70004	273	BP606075	272	BQLBP-002	276
B70005	273	BP7090100	274	BQLC075	262
B70006	273	BP7090100B	274	BQLC130	262
B70007	273	BP7090113	274	BQLC175	262
B70008	273	BP7090125	274	BQLC180	262
B70009	273	BP7090138	274	BQLC230	262

CODE	PAGE	CODE	PAGE	CODE	PAGE
BQLC275	262	BWE260	266	ECOR4-625X	218
BQLC280	262	BWE268	266	ECOR5-520EEX	221
BQLC330	262	BWE273	266	ECOR5-520X	218
BQLC375	262	BWE278	266	ECOR5-525X	218
BQLC380	262	CR0345	152	ECOR5-720X	218
BQLC430	262	CR0355	152	ECOR5-725EEX	221
BQLC480	262	CR0645	152	ECOR5-725PVX	222
BQLFR-001	264	CR0655	152	ECOR5-725X	218
BQLH-001	264	CR0945	152	ECOR6-1230EEX	221
BQLH-002	264	CR0955	152	ECOR6-1230X	218
BQLH-004	264	CR1245	152	ECOR6-420EEX	221
BQLK075	263	CR1255	152	ECOR6-420X	218
BQLK130	263	CR1545	152	ECOR6-620EEX	221
BQLKU-001	263	CR1555	152	ECOR6-620X	218
BQLKU-004	263	CR1845	152	ECOR6-625EEX	221
BQLKU-004	265	CR1855	152	ECOR6-625X	218
BQLM-001	263	CR2145	152	ECOR6-630EEX	221
BQLPR-001	264	CR2155	152	ECOR6-630X	218
BQLRM-001	266	CSPP-00300	108	ECOR6-820EEX	221
BQLSK-001	266	CSPP-00400	108	ECOR6-820PVX	222
BQM-001	259	ECAV-040180X	223	ECOR6-820X	218
BQPL-001	265	ECAV-060180X	223	ECOR6-825EEX	221
BQPL-001	276	ECAV-060360X	223	ECOR6-825PVX	222
BQPR-001	260	ECAV-080180X	223	ECOR6-825X	218
BQPU-001	259	ECAV-080360X	223	ECOR6-830EEX	221
BQR011	269	ECDI-014040	223	ECOR6-830X	218
BQR015	269	ECDI-025060	223	ECOR8-1030EEX	221
BQRM-001	266	ECDI-036080	223	ECOR8-1030PVX	222
BQRU-001	265	ECMI-040060X	223	ECOR8-1030X	218
BQRU-001	276	ECMI-060080X	223	ECOR8-1230EEX	221
BQRU-002	276	ECMI-080100X	223	ECOR8-1230X	218
BQSK-001	266	ECOMP101240	105	ECOR8-830EEX	221
BQSU-001	276	ECOMP10-1240X	215	ECOR8-830X	218
BQSU-002	276	ECOMP101430	105	ECOR4-515TX	228
BQWA-003	258	ECOMP10-1430X	215	ECOR4-620TX	228
BQWA-003	259	ECOMP101440	105	ECOR5-730TX	228
BQWA-003	260	ECOMP10-1440X	215	ECOR6-825TX	228
BQWA-003	262	ECOMP121240	105	ECOR8-1025TX	228
BQWA-003	263	ECOMP12-1240X	215	ECOR8-1030TX	228
BQWA-003	264	ECOMP121430	105	ECOR8-1230TX	228
BQWA-003	265	ECOMP12-1430X	215	ECPM-040180X	223
BST3-420B	277	ECOMP121440	105	ECPM-060180X	223
BST3-420F	277	ECOMP12-1440X	215	ECPM-080180X	223
BST4-320B	277	ECOMP61240	103	ECPO1-34X	224
BST4-320F	277	ECOMP6-1240X	215	ECPO1-45X	224
BST4-420B	277	ECOMP61430	103	ECPO1-46X	224
BST4-420F	277	ECOMP6-1430X	215	ECPO1-57X	224
BST5-420B	277	ECOMP61440	103	ECPO1-68X	224
BST5-420F	277	ECOMP6-1440X	215	ECPO1-810X	224
BST5-520B	277	ECOMP81240	103	ECTT1-04X	224
BST5-520F	277	ECOMP8-1240X	215	ECTT1-05X	224
BST6-620B	277	ECOMP81430	103	ECTT1-06X	224
BST6-620F	277	ECOMP8-1430X	215	ECTT2-05X	224
BSTF3-420B	278	ECOMP81440	103	ECTT2-08X	224
BSTF3-420F	278	ECOMP8-1440X	215	EGRAN1-108X	226
BSTF4-320B	278	ECOR10-1030X	219	EGRAN1-112X	226
BSTF4-320F	278	ECOR10-1230X	219	EGRAN2-208X	226
BSTF4-420B	278	ECOR2-315EEX	221	EGRAN3-208X	226
BSTF4-420F	278	ECOR2-315X	218	EGRAN3-312X	226
BSTF5-420B	278	ECOR3-315X	218	EGRAN4-212X	226
BSTF5-420F	278	ECOR3-415EEX	221	ELRP-001	147
BSTF5-520B	278	ECOR3-415X	218	EMOX061604PR	93
BSTF5-520F	278	ECOR3-420EEX	221	EMOX-061604PRX	213
BSTF6-620B	278	ECOR3-420PVX	222	EMOX061604PV	93
BSTF6-620F	278	ECOR3-420X	218	EMOX061804PR	93
BWE010	266	ECOR4-315EEX	221	EMOX-061804PRX	213
BWE030	266	ECOR4-315X	218	EMOX061804PV	93
BWE050	266	ECOR4-420EEX	221	EMOX061805PR	93
BWE060	266	ECOR4-420X	218	EMOX-061805PRX	213
BWE070	266	ECOR4-425X	218	EMOX061805PV	93
BWE080	266	ECOR4-520EEX	221	EMOX062004PR	93
BWE090	266	ECOR4-520PVX	222	EMOX-062004PRX	213
BWE096	266	ECOR4-520X	218	EMOX062004PV	93
BWE100	266	ECOR4-620EEX	221	EMOX062005PR	93
BWE140	266	ECOR4-620PVX	222	EMOX-062005PRX	213
BWE210	266	ECOR4-620X	218	EMOX062005PV	93

CODE	PAGE	CODE	PAGE	CODE	PAGE
EMOX081604PR	93	ENUX042008DP	33	ENUX062006PRZ	247
EMOX-081604PRX	213	ENUX042008PR	33	ENUX062006PV	34
EMOX081604PV	93	ENUX042205DP	33	ENUX062006PV	119
EMOX081804PR	93	ENUX042205PR	33	ENUX-062006PVX	206
EMOX-081804PRX	213	ENUX042206DP	33	ENUX062006ST	111
EMOX081804PV	93	ENUX042206PR	33	ENUX062008DP	34
EMOX081805PR	93	ENUX042208DP	33	ENUX062008DPL	44
EMOX-081805PRX	213	ENUX042208PR	33	ENUX062008PR	34
EMOX081805PV	93	ENUX061404DP	34	ENUX062008PRL	44
EMOX082004PR	93	ENUX061404PR	34	ENUX062008PRZ	247
EMOX-082004PRX	213	ENUX061404PV	34	ENUX062008PV	34
EMOX082004PV	93	ENUX061405DP	34	ENUX062008PV	119
EMOX082005PR	93	ENUX061405PR	34	ENUX062008ST	111
EMOX-082005PRX	213	ENUX061405PV	34	ENUX062010PR	34
EMOX082005PV	93	ENUX061604DP	34	ENUX062205DP	34
EMOX101604PR	93	ENUX061604PR	34	ENUX062205PR	34
EMOX101604PV	93	ENUX061604PV	34	ENUX062205PV	34
EMOX101804PR	93	ENUX061605DP	34	ENUX062206DP	34
EMOX-101804PRX	213	ENUX061605PR	34	ENUX062206PR	34
EMOX101804PV	93	ENUX061605PV	34	ENUX062206PV	34
EMOX101805PR	93	ENUX061606DP	34	ENUX062208DP	34
EMOX101805PV	93	ENUX061606PR	34	ENUX062208PR	34
EMOX102004PR	93	ENUX061606PV	34	ENUX062208PV	34
EMOX-102004PRX	213	ENUX061804DP	34	ENUX081404DP	35
EMOX102004PV	93	ENUX061804DPL	44	ENUX081404PR	35
EMOX102005PR	93	ENUX061804PR	34	ENUX081404PV	35
EMOX102005PV	93	ENUX061804PRL	44	ENUX081405DP	35
EMOX120804PR	97	ENUX-061804PRX	205	ENUX081405PR	35
EMOX121004PR	97	ENUX061804PV	34	ENUX081405PV	35
EMOX121604PR	95	ENUX061804PV	119	ENUX081604DP	35
EMOX121804PR	95	ENUX-061804PVX	206	ENUX081604PR	35
EMOX-121804PRX	213	ENUX061804ST	111	ENUX081604PV	35
EMOX121805PR	95	ENUX061805DP	34	ENUX081605DP	35
EMOX-121805PRX	213	ENUX061805DPL	44	ENUX081605PR	35
EMOX122004PR	95	ENUX061805PR	34	ENUX081605PV	35
EMOX-122004PRX	213	ENUX061805PRL	44	ENUX081606DP	35
EMOX122005PR	95	ENUX-061805PRX	205	ENUX081606PR	35
EMOX141004PR	97	ENUX061805PV	34	ENUX081606PV	35
EMOX161004PR	97	ENUX061805PV	119	ENUX081804DP	35
EMOX161804PR	95	ENUX-061805PVX	206	ENUX081804DPL	44
EMOX162004PR	95	ENUX061805ST	111	ENUX081804PR	35
EMOX181004PR	97	ENUX061806DP	34	ENUX081804PRL	44
ENUX031604	51	ENUX061806DPL	44	ENUX-081804PRX	205
ENUX031605	51	ENUX061806PR	34	ENUX081804PV	35
ENUX031606	51	ENUX061806PRL	44	ENUX081804PV	119
ENUX031804	51	ENUX061806PV	34	ENUX-081804PVX	206
ENUX031805	51	ENUX061806PV	119	ENUX081804ST	111
ENUX031806	51	ENUX061806ST	111	ENUX081805DP	35
ENUX031808	51	ENUX061808DP	34	ENUX081805DPL	44
ENUX032004	51	ENUX061808DPL	44	ENUX081805PR	35
ENUX032005	51	ENUX061808PR	34	ENUX081805PRL	44
ENUX032006	51	ENUX061808PRL	44	ENUX-081805PRX	205
ENUX032008	51	ENUX061808PV	34	ENUX081805PV	35
ENUX032205	51	ENUX061808PV	119	ENUX081805PV	119
ENUX032206	51	ENUX061808ST	111	ENUX-081805PVX	206
ENUX032208	51	ENUX062004DP	34	ENUX081805ST	111
ENUX041604DP	33	ENUX062004DPL	44	ENUX081806DP	35
ENUX041604PR	33	ENUX062004PR	34	ENUX081806DPL	44
ENUX041605DP	33	ENUX062004PRL	44	ENUX081806PR	35
ENUX041605PR	33	ENUX062004PV	34	ENUX081806PRL	44
ENUX041606DP	33	ENUX062004PV	119	ENUX081806PV	35
ENUX041606PR	33	ENUX062004ST	111	ENUX081806PV	119
ENUX041804DP	33	ENUX062005DP	34	ENUX081806ST	111
ENUX041804PR	33	ENUX062005DPL	44	ENUX081808DP	35
ENUX041805DP	33	ENUX062005PR	34	ENUX081808DPL	44
ENUX041805PR	33	ENUX062005PRL	44	ENUX081808PR	35
ENUX041806DP	33	ENUX-062005PRX	205	ENUX081808PRL	44
ENUX041806PR	33	ENUX062005PV	34	ENUX081808PV	35
ENUX041808DP	33	ENUX062005PV	119	ENUX081808PV	119
ENUX041808PR	33	ENUX-062005PVX	206	ENUX081808ST	111
ENUX042004DP	33	ENUX062005ST	111	ENUX082004DP	35
ENUX042004PR	33	ENUX062006DP	34	ENUX082004DPL	44
ENUX042005DP	33	ENUX062006DPL	44	ENUX082004PR	35
ENUX042005PR	33	ENUX062006PR	34	ENUX082004PRL	44
ENUX042006DP	33	ENUX062006PRL	44	ENUX082004PV	35
ENUX042006PR	33	ENUX-062006PRX	205	ENUX082004PV	119

CODE	PAGE	CODE	PAGE	CODE	PAGE
ENUX082004ST	111	ENUX102005DP	36	ENUX122205PR	40
ENUX082005DP	35	ENUX102005DPL	45	ENUX122206DP	40
ENUX082005DPL	44	ENUX102005PR	36	ENUX122206PR	40
ENUX082005PR	35	ENUX102005PRL	45	ENUX122208DP	40
ENUX082005PRL	44	ENUX-102005PRX	205	ENUX122208PR	40
ENUX-082005PRX	205	ENUX-102005PRX	205	ENUX142004DP	40
ENUX082005PV	35	ENUX102005PV	36	ENUX142004PR	40
ENUX082005PV	119	ENUX-102005PVX	206	ENUX142005DP	40
ENUX-082005PVX	206	ENUX102006DP	36	ENUX142005PR	40
ENUX082005ST	111	ENUX102006DPL	45	ENUX142006DP	40
ENUX082006DP	35	ENUX102006PR	36	ENUX142006PR	40
ENUX082006DPL	44	ENUX102006PRL	45	ENUX142008DP	40
ENUX082006PR	35	ENUX-102006PRX	205	ENUX142008PR	40
ENUX082006PRL	44	ENUX102006PV	36	ENUX161404DP	41
ENUX-082006PRX	205	ENUX-102006PVX	206	ENUX161404PR	41
ENUX082006PRZ	247	ENUX102008DP	36	ENUX161405DP	41
ENUX082006PV	35	ENUX102008DPL	45	ENUX161405PR	41
ENUX082006PV	119	ENUX102008PR	36	ENUX162004DP	41
ENUX-082006PVX	206	ENUX102008PRL	45	ENUX162004PR	41
ENUX082006ST	111	ENUX102008PV	36	ENUX162005DP	41
ENUX082008DP	35	ENUX102205DP	36	ENUX162005PR	41
ENUX082008DPL	44	ENUX102205PR	36	ENUX162006DP	41
ENUX082008PR	35	ENUX102205PV	36	ENUX162006PR	41
ENUX082008PRL	44	ENUX102206DP	36	ENUX162008DP	41
ENUX082008PRZ	247	ENUX102206PR	36	ENUX162008PR	41
ENUX082008PV	35	ENUX102206PV	36	EPPO1612	107
ENUX082008PV	119	ENUX102208DP	36	EPPO1614	107
ENUX082008ST	111	ENUX102208PR	36	EPPO1812	107
ENUX082010PR	35	ENUX102208PV	36	EPPO1814	107
ENUX082205DP	35	ENUX121404DP	40	EUAL060140	185
ENUX082205PR	35	ENUX121404PR	40	EUAL061404FP	185
ENUX082205PV	35	ENUX121405DP	40	EUAL061404FR	185
ENUX082206DP	35	ENUX121405PR	40	EUAL061405FP	185
ENUX082206PR	35	ENUX121604DP	40	EUAL061405FR	185
ENUX082206PV	35	ENUX121604PR	40	EUAL080140	185
ENUX082208DP	35	ENUX121605DP	40	EUAL081404FP	185
ENUX082208PR	35	ENUX121605PR	40	EUAL081404FR	185
ENUX082208PV	35	ENUX121606DP	40	EUAL081405FP	185
ENUX101604DP	36	ENUX121606PR	40	EUAL081405FR	185
ENUX101604PR	36	ENUX121804DP	40	EUAL120140	185
ENUX101604PV	36	ENUX121804DPL	48	EUAL121404FP	185
ENUX101605DP	36	ENUX121804PR	40	EUAL121404FR	185
ENUX101605PR	36	ENUX121804PRL	48	EUAL121405FP	185
ENUX101605PV	36	ENUX-121804PRX	205	EUAL121405FR	185
ENUX101606DP	36	ENUX121805DP	40	EUAL160140	185
ENUX101606PR	36	ENUX121805DPL	48	EUAL161404FP	185
ENUX101606PV	36	ENUX121805PR	40	EUAL161404FR	185
ENUX101804DP	36	ENUX121805PRL	48	EUAL161405FP	185
ENUX101804DPL	45	ENUX121806DP	40	EUAL161405FR	185
ENUX101804PR	36	ENUX121806DPL	48	EUAV020180	127
ENUX101804PRL	45	ENUX121806PR	40	EUAV020200	127
ENUX101804PV	36	ENUX121806PRL	48	EUAV020220	127
ENUX101805DP	36	ENUX121808DP	40	EUAV040015	127
ENUX101805DPL	45	ENUX121808DPL	48	EUAV040020	127
ENUX101805PR	36	ENUX121808PR	40	EUAV040025	127
ENUX101805PRL	45	ENUX121808PRL	48	EUAV040030	127
ENUX-101805PRX	205	ENUX122004DP	40	EUAV040040	127
ENUX101805PV	36	ENUX122004DPL	48	EUAV060015	127
ENUX-101805PVX	206	ENUX122004PR	40	EUAV060020	127
ENUX101806DP	36	ENUX122004PRL	48	EUAV060025	127
ENUX101806DPL	45	ENUX122005DP	40	EUAV060030	127
ENUX101806PR	36	ENUX122005DPL	48	EUAV060040	127
ENUX101806PRL	45	ENUX122005PR	40	EUAV080020	127
ENUX-101806PRX	205	ENUX122005PRL	48	EUAV080030	127
ENUX101806PV	36	ENUX-122005PRX	205	EUAV080040	127
ENUX-101806PVX	206	ENUX122006DP	40	EUCE-180001	74
ENUX101808DP	36	ENUX122006DPL	48	EUCE-180001C	211
ENUX101808DPL	45	ENUX122006PR	40	EUCE-180002	74
ENUX101808PR	36	ENUX122006PRL	48	EUCE-180003	74
ENUX101808PRL	45	ENUX-122006PRX	205	EUCE-180004	99
ENUX101808PV	36	ENUX122008DP	40	EUCE-180004	108
ENUX102004DP	36	ENUX122008DPL	48	EUCE-180008XH	217
ENUX102004DPL	45	ENUX122008PR	40	EUCM-4001525	130
ENUX102004PR	36	ENUX122008PRL	48	EUCM-4001535	130
ENUX102004PRL	45	ENUX122010PR	40	EUCM-4002025	130
ENUX102004PV	36	ENUX122205DP	40	EUCM-4002035	130

CODE	PAGE	CODE	PAGE	CODE	PAGE
EUCM-4002525	130	EUD1-060180	76	EUDO-080060	112
EUCM-4002535	130	EUD1-060200	76	EUDO-080060	116
EUCM-4003025	130	EUD1-060220	76	EUDO-080070	120
EUCM-4003035	130	EUD1-080180	76	EUDO-080070	123
EUCM-4004025	130	EUD1-080200	76	EUDO-080080	112
EUCM-4004035	130	EUD1-080220	76	EUDO-080080	116
EUCM-6001525	130	EUD2-050180	76	EUFC-040040	72
EUCM-6001535	130	EUD2-050200	76	EUFC-040050	72
EUCM-6002025	130	EUD2-060180	76	EUFC-040060	72
EUCM-6002035	130	EUD2-060200	76	EUFC-040080	72
EUCM-6002525	130	EUD2-080180	76	EUFC-060040	72
EUCM-6002535	130	EUD2-080200	76	EUFC-060050	72
EUCM-6003025	130	EUD3-050180	49	EUFC-060060	72
EUCM-6003035	130	EUD3-050200	49	EUFC-060080	72
EUCM-6004025	130	EUD3-060180	49	EUFC-080040	72
EUCM-6004035	130	EUD3-060200	49	EUFC-080050	72
EUCM-6006025	130	EUD3-080180	49	EUFC-080060	72
EUCM-6006035	130	EUD3-080200	49	EUFC-080080	72
EUCM-6008025	130	EUD4-050180	49	EUFC-100040	72
EUCM-6008035	130	EUD4-050200	49	EUFC-100050	72
EUCM-6010025	130	EUD4-060180	49	EUFC-100060	72
EUCM-6010035	130	EUD4-060200	49	EUFC-100080	72
EUCM-6012025	130	EUD4-080180	49	EUFC-120040	72
EUCM-6012035	130	EUD4-080200	49	EUFC-120050	72
EUCM-8003025	130	EUDM-040025	129	EUFC-120060	72
EUCM-8003035	130	EUDM-040035	129	EUFC-120080	72
EUCM-8004025	130	EUDM-060025	129	EUF1040140	63
EUCM-8004035	130	EUDM-060035	129	EUF1040160	63
EUCM-8006025	130	EUDM-080025	129	EUF1040180	63
EUCM-8006035	130	EUDM-080035	129	EUF1040180M	116
EUCM-8008025	130	EUDO-060010	112	EUF1040180M	126
EUCM-8008035	130	EUDO-060010	116	EUF1040200	63
EUCM-8010025	130	EUDO-060010	120	EUF1040200M	116
EUCM-8010035	130	EUDO-060010	123	EUF1040200M	126
EUCM-8012025	130	EUDO-060015	112	EUF1040220M	116
EUCM-8012035	130	EUDO-060015	116	EUF1040220M	126
EUCN05010	253	EUDO-060015	120	EUF1050140	63
EUCN05010C	253	EUDO-060015	123	EUF1050160	63
EUCN05010F	253	EUDO-060025	112	EUF1050180	63
EUCN05020	253	EUDO-060025	116	EUF1050180M	116
EUCN05020C	253	EUDO-060025	120	EUF1050180M	126
EUCN05020F	253	EUDO-060025	123	EUF1050200	63
EUCN10010	253	EUDO-060040	112	EUF1050200M	116
EUCN10020	253	EUDO-060040	116	EUF1050200M	126
EUCN100CC	254	EUDO-060040	120	EUF1050220	63
EUCN100CF	254	EUDO-060040	123	EUF1050220M	116
EUCN100CO	256	EUDO-060050	112	EUF1050220M	126
EUCN100RA	256	EUDO-060050	116	EUF1060160	63
EUCN20010	253	EUDO-060050	120	EUF1060180	63
EUCN20020	253	EUDO-060050	123	EUF1060180M	116
EUCN200CC	254	EUDO-060060	112	EUF1060180M	126
EUCN200CF	254	EUDO-060060	116	EUF1060200	63
EUCN200CO	255	EUDO-060070	120	EUF1060200EMC	247
EUCN200CZ	252	EUDO-060070	123	EUF1060200M	116
EUCN200PA	254	EUDO-060080	112	EUF1060200M	126
EUCN200RA	255	EUDO-060080	116	EUF1060220	63
EUCN200RC	256	EUDO-080010	112	EUF1060220M	116
EUCN200RS	255	EUDO-080010	116	EUF1060220M	126
EUCN200RT	255	EUDO-080010	120	EUF1080180	63
EUCN200TLA	254	EUDO-080010	123	EUF1080180M	116
EUCN200TLB	254	EUDO-080015	112	EUF1080180M	126
EUCR028060	144	EUDO-080015	116	EUF1080200	63
EUCR032060	144	EUDO-080015	120	EUF1080200EMC	247
EUCR037060	144	EUDO-080015	123	EUF1080200M	116
EUCR041060	144	EUDO-080025	112	EUF1080200M	126
EUCR046060	144	EUDO-080025	116	EUF1080220	63
EUD1-040140	76	EUDO-080025	120	EUF1080220M	116
EUD1-040160	76	EUDO-080025	123	EUF1080220M	126
EUD1-040180	76	EUDO-080040	112	EUF1100200	63
EUD1-040200	76	EUDO-080040	116	EUFL-000400	66
EUD1-050140	76	EUDO-080040	120	EUFL-000500	66
EUD1-050160	76	EUDO-080040	123	EUFL-000600	66
EUD1-050180	76	EUDO-080050	112	EUFL-000800	66
EUD1-050200	76	EUDO-080050	116	EUF1001	145
EUD1-050220	76	EUDO-080050	120	EUF1002	145
EUD1-060160	76	EUDO-080050	123	EUFV000500	71

CODE	PAGE	CODE	PAGE	CODE	PAGE
EUFV000600	71	EUPA-060200	207	EUPD060020M	114
EUFV000800	71	EUPA-060200L	55	EUPD060025	128
EUFX-040180	209	EUPA-060220	53	EUPD060030	114
EUFX-050180	209	EUPA-080140	53	EUPD060030	128
EUFX-050200	209	EUPA-080140	187	EUPD060040	114
EUFX-060180	209	EUPA-080160	53	EUPD060040	128
EUFX-060200	209	EUPA-080180	53	EUPD060040M	114
EUKA-080060B	68	EUPA-080180	207	EUPD060050	114
EUKA-080060M	68	EUPA-080180L	55	EUPD060050	128
EUKA-080080B	68	EUPA-080200	53	EUPD060060	114
EUKA-080080M	68	EUPA-080200	207	EUPD060060	128
EUKA-082006S	68	EUPA-080200L	55	EUPD060070	114
EUKA-082008S	68	EUPA-080220	53	EUPD060080	114
EUKM-001	85	EUPA-100160	53	EUPD060080	128
EUKM-002	85	EUPA-100180	53	EUPD060090	114
EUKM-003	85	EUPA-100180	207	EUPD060100	114
EUKM-004	85	EUPA-100180L	55	EUPD060100	128
EUKU-001	73	EUPA-100200	53	EUPD060120	114
EUKU-002	73	EUPA-100200	207	EUPD060120	128
EUKU-002EMC	248	EUPA-100200L	55	EUPD060140	128
EUKU-002X	211	EUPA-100220	53	EUPD060160	128
EUKU-003	72	EUPA-120080	97	EUPD060180	128
EUKU-003	211	EUPA-120100	97	EUPD060200	128
EUKU-004	116	EUPA-120140	53	EUPD080020	114
EUKU-005	73	EUPA-120140	187	EUPD080020M	114
EUKU-006	73	EUPA-120160	53	EUPD080030	114
EUKU-007	49	EUPA-120180	53	EUPD080030	128
EULC-040050	71	EUPA-120180	207	EUPD080040	114
EULC-040060	71	EUPA-120180L	55	EUPD080040	128
EULC-040080	71	EUPA-120200	53	EUPD080040M	114
EULC-060050	71	EUPA-120200	207	EUPD080050	114
EULC-060060	71	EUPA-120200L	55	EUPD080060	114
EULC-060080	71	EUPA-120220	53	EUPD080060	128
EULC-080050	71	EUPA-140100	97	EUPD080070	114
EULC-080060	71	EUPA-140200	53	EUPD080080	114
EULC-080080	71	EUPA-160100	97	EUPD080080	128
EULC-100050	71	EUPA-160140	53	EUPD080090	114
EULC-100060	71	EUPA-160140	187	EUPD080100	114
EULC-100080	71	EUPA-160200	53	EUPD080100	128
EULC-120050	71	EUPA-180100	97	EUPD080120	114
EULC-120060	71	EUPC0001CE	135	EUPD080120	128
EULC-120080	71	EUPC001CE	136	EUPF040140	63
EULE000600	117	EUPC015PN	137	EUPF040160	63
EULE000800	117	EUPC061806CEC	135	EUPF040180	63
EUMD001800	127	EUPC061808CEC	135	EUPF040200	63
EUMD002000	127	EUPC062006CEC	135	EUPF050140	63
EUMD002200	127	EUPC062008CEC	135	EUPF050160	63
EUME000600AL	186	EUPC180C	137	EUPF050180	63
EUME000800AL	186	EUPC180PC	135	EUPF050200	63
EUME001200AL	186	EUPC180PC	136	EUPF050220	63
EUME001600AL	186	EUPC180PN	135	EUPF060140	63
EUMI000800	99	EUPC180PN	136	EUPF060160	63
EUMI001000	99	EUPC180PV	135	EUPF060180	63
EUMI001600	99	EUPC180PV	136	EUPF060200	63
EUMI001800	99	EUPC200C	137	EUPF060220	63
EUMI002000	99	EUPC200PC	135	EUPF080180	63
EUMT001800	111	EUPC200PC	136	EUPF080200	63
EUMT001800	126	EUPC200PN	135	EUPF080220	63
EUMT001800	135	EUPC200PN	136	EUPH060020	122
EUMT001800	137	EUPC200PV	135	EUPH080020	122
EUMT002000	111	EUPC200PV	136	EUPI060140	62
EUMT002000	126	EUPD040015	128	EUPI060160	62
EUMT002000	135	EUPD040020	128	EUPI060180	62
EUMT002000	137	EUPD040025	128	EUPI060200	62
EUMT002200	126	EUPD040030	128	EUPI060220	62
EUPA-040160	53	EUPD040040	128	EUPI080140	62
EUPA-040180	53	EUPD040050	128	EUPI080160	62
EUPA-040200	53	EUPD040060	128	EUPI080180	62
EUPA-040220	53	EUPD040120	128	EUPI080200	62
EUPA-060140	53	EUPD040140	128	EUPI080220	62
EUPA-060140	187	EUPD040160	128	EUPI100160	62
EUPA-060160	53	EUPD040180	128	EUPI100180	62
EUPA-060180	53	EUPD040200	128	EUPI100200	62
EUPA-060180	207	EUPD060015	128	EUPI100220	62
EUPA-060180L	55	EUPD060020	114	EUPIX-060180	209
EUPA-060200	53	EUPD060020	128	EUPIX-060200	209

CODE	PAGE	CODE	PAGE	CODE	PAGE
EUIX-080180	209	EUP0060180	34	EUPU-060070	115
EUIX-080200	209	EUP0060180	135	EUPU-060070	123
EUIX-100180	209	EUP0060180L	44	EUPU-060080	115
EUIX-100200	209	EUP0060200	34	EUPU-060080	123
EUPL-040160	57	EUP0060200	135	EUPU-060090	115
EUPL-040180	57	EUP0060200AV	151	EUPU-060100	115
EUPL-040200	57	EUP0060200L	44	EUPU-060120	115
EUPL-040220	57	EUP0060220	34	EUPU-080020	115
EUPL-060140	57	EUP0080140	35	EUPU-080020	123
EUPL-060160	57	EUP0080140	185	EUPU-080030	115
EUPL-060180	57	EUP0080160	35	EUPU-080030	123
EUPL-060180	208	EUP0080180	35	EUPU-080040	115
EUPL-060200	57	EUP0080180L	44	EUPU-080040	123
EUPL-060200	208	EUP0080200	35	EUPU-080050	115
EUPL-060220	57	EUP0080200AV	151	EUPU-080050	123
EUPL-080140	57	EUP0080200L	44	EUPU-080060	115
EUPL-080160	57	EUP0080220	35	EUPU-080060	123
EUPL-080180	57	EUP0100160	36	EUPU-080070	115
EUPL-080180	208	EUP0100160DP	36	EUPU-080070	123
EUPL-080200	57	EUP0100180	36	EUPU-080080	115
EUPL-080200	208	EUP0100180DP	36	EUPU-080080	123
EUPL-080220	57	EUP0100180L	45	EUPU-080090	115
EUPL-100160	57	EUP0100200	36	EUPU-080100	115
EUPL-100180	57	EUP0100200DP	36	EUPU-080120	115
EUPL-100180	208	EUP0100200L	45	EUPV060140	34
EUPL-100200	57	EUP0100220	36	EUPV060140	60
EUPL-100200	208	EUP0100220DP	36	EUPV060160	34
EUPL-100220	57	EUP0120140	40	EUPV060160	60
EUPL-120140	57	EUP0120140	185	EUPV060180	34
EUPL-120160	57	EUP0120160	40	EUPV060180	60
EUPL-120180	57	EUP0120180	40	EUPV060180	119
EUPL-120180	208	EUP0120180L	48	EUPV060200	34
EUPL-120200	57	EUP0120200	40	EUPV060200	60
EUPL-120200	208	EUP0120200L	48	EUPV060200	119
EUPL-120220	57	EUP0120220	40	EUPV060220	34
EUPL-140200	57	EUP0140200	40	EUPV060220	60
EUPL-160140	57	EUP0160140	41	EUPV080140	35
EUPL-160200	57	EUP0160140	185	EUPV080140	60
EUPM060020	122	EUP0160200	41	EUPV080160	35
EUPM060020M	122	EUPR-060060	59	EUPV080160	60
EUPM060030	122	EUPR-060080	59	EUPV080180	35
EUPM060040	122	EUPR-060080	187	EUPV080180	60
EUPM060040M	122	EUPR-060120	59	EUPV080180	119
EUPM060050	122	EUPR-080060	59	EUPV080200	35
EUPM060060	122	EUPR-080080	59	EUPV080200	60
EUPM060070	122	EUPR-080080	187	EUPV080200	119
EUPM060080	122	EUPR-080120	59	EUPV080220	35
EUPM080020	122	EUPR-120080	187	EUPV080220	60
EUPM080020M	122	EUPR-160080	187	EUPV100160	36
EUPM080030	122	EUPS-040160	58	EUPV100160	60
EUPM080040	122	EUPS-040180	58	EUPV100180	36
EUPM080040M	122	EUPS-040200	58	EUPV100180	60
EUPM080050	122	EUPS-040220	58	EUPV100200	36
EUPM080060	122	EUPS-060140	58	EUPV100200	60
EUPM080070	122	EUPS-060160	58	EUPV100220	36
EUPM080080	122	EUPS-060180	58	EUPV100220	60
EUPN000600	186	EUPS-060200	58	EURE030160	51
EUPN000800	186	EUPS-060220	58	EURE030180	51
EUPN001200	186	EUPS-080140	58	EURE030200	51
EUPN-001400	58	EUPS-080160	58	EURE030220	51
EUPN001600	186	EUPS-080200	58	EURE040160	33
EUPN-001600	58	EUPS-080220	58	EURE040180	33
EUPN-001800	58	EUPS-100160	58	EURE040200	33
EUPN-002000	58	EUPS-100180	58	EURE040220	33
EUPN-002200	58	EUPS-100200	58	EURE060140	34
EUP0030160	51	EUPS-100220	58	EURE060140	185
EUP0030180	51	EUPU-060020	115	EURE060160	34
EUP0030200	51	EUPU-060020	123	EURE060180	34
EUP0030220	51	EUPU-060030	115	EURE060180	44
EUP0040160	33	EUPU-060030	123	EURE060180	111
EUP0040180	33	EUPU-060040	115	EURE060180	119
EUP0040200	33	EUPU-060040	123	EURE060200	34
EUP0040220	33	EUPU-060050	115	EURE060200	44
EUP0060140	34	EUPU-060050	123	EURE060200	111
EUP0060140	185	EUPU-060060	115	EURE060200	119
EUP0060160	34	EUPU-060060	123	EURE060220	34

CODE	PAGE	CODE	PAGE	CODE	PAGE
EURE080140	35	EUSV-015020	115	EUTF080080	35
EURE080140	185	EUSV-015030	115	EUTF080080	44
EURE080160	35	EUSV-015040	115	EUTF080080	111
EURE080180	35	EUSV-015050	115	EUTF080080	119
EURE080180	44	EUSV-015060	115	EUTF100040	36
EURE080180	111	EUSV-015070	115	EUTF100040	45
EURE080180	119	EUSV-015080	115	EUTF100050	36
EURE080200	35	EUSV-015090	115	EUTF100050	45
EURE080200	44	EUSV-015100	115	EUTF100060	36
EURE080200	111	EUSV-015120	115	EUTF100060	45
EURE080200	119	EUSV-025020	115	EUTF100080	36
EURE080220	35	EUSV-025030	115	EUTF100080	45
EURE100160	36	EUSV-025040	115	EUTF120040	40
EURE100180	36	EUSV-025050	115	EUTF120040	48
EURE100180	45	EUSV-025060	115	EUTF120040	185
EURE100200	36	EUSV-025070	115	EUTF120050	40
EURE100200	45	EUSV-025080	115	EUTF120050	48
EURE100220	36	EUSV-025090	115	EUTF120050	185
EURE120140	40	EUSV-025100	115	EUTF120060	40
EURE120140	185	EUSV-025120	115	EUTF120060	48
EURE120160	40	EUSV-035020	115	EUTF120080	40
EURE120180	40	EUSV-035030	115	EUTF120080	48
EURE120180	48	EUSV-035040	115	EUTF140040	40
EURE120200	40	EUSV-035050	115	EUTF140040M	126
EURE120200	48	EUSV-035060	115	EUTF140050	40
EURE120220	40	EUSV-035070	115	EUTF140050M	126
EURE140180	126	EUSV-035080	115	EUTF140060	40
EURE140200	40	EUSV-035090	115	EUTF140060M	126
EURE140200	126	EUSV-035100	115	EUTF140080	40
EURE140220	126	EUSV-035120	115	EUTF140080M	126
EURE160140	41	EUTC-000500	281	EUTF160040	41
EURE160140	185	EUTC-000600	281	EUTF160040M	126
EURE160180	126	EUTC-000800	281	EUTF160040	185
EURE160200	41	EUTC-001000	281	EUTF160050	41
EURE160200	126	EUTF030040	51	EUTF160050M	126
EURE160220	126	EUTF030050	51	EUTF160050	185
EURL033060	145	EUTF030060	51	EUTF160060	41
EURL038060	145	EUTF030080	51	EUTF160060M	126
EURL042060	145	EUTF040040	33	EUTF160080	41
EURL047060	145	EUTF040050	33	EUTF160080M	126
EURP021805	49	EUTF040060	33	EUTG000400	130
EURP022006	49	EUTF040080	33	EUTG-000400L	129
EURP031805	49	EUTF060040	34	EUTG000500	130
EURP031806	49	EUTF060040	44	EUTG-000500L	129
EURP031808	49	EUTF060040	111	EUTG000600	130
EURP032005	49	EUTF060040	119	EUTG-000600L	129
EURP032006	49	EUTF060040	185	EUTG000800	130
EURP032008	49	EUTF060050	34	EUTG000800L	129
EURU033060	145	EUTF060050	44	EUTL-000250	129
EURU038060	145	EUTF060050	111	EUTL-000350	129
EURU042060	145	EUTF060050	119	EUTM000400	131
EURU047060	145	EUTF060050	185	EUTM000500	131
EUSA-000600	123	EUTF060060	34	EUTM000600	131
EUSA-000800	123	EUTF060060	44	EUTM000800	131
EUSM060180	119	EUTF060060	111	EUTP060180	79
EUSM060200	119	EUTF060060	119	EUTP060200	79
EUSM080180	119	EUTF060060	135	EUTP080180	79
EUSM080200	119	EUTF060080	34	EUTP080200	79
EUSO-000400B	128	EUTF060080	44	EUTP120180	79
EUSO-000400C	128	EUTF060080	111	EUTP122000	79
EUSO-000600B	128	EUTF060080	119	EUTR009080	144
EUSO-000600C	115	EUTF060080	135	EUTR012080	144
EUSO-000600C	128	EUTF080040	35	EUTR015080	144
EUSO-000800B	128	EUTF080040	44	EUTR035060	142
EUSO-000800C	115	EUTF080040	111	EUTR035080	142
EUSO-000800C	128	EUTF080040	119	EUTR035080C	143
EUSV-010020	115	EUTF080040	185	EUTR040060	142
EUSV-010030	115	EUTF080050	35	EUTR040080	142
EUSV-010040	115	EUTF080050	44	EUTR040080C	143
EUSV-010050	115	EUTF080050	111	EUTR044060	142
EUSV-010060	115	EUTF080050	119	EUTR044080	142
EUSV-010070	115	EUTF080050	185	EUTR044080C	143
EUSV-010080	115	EUTF080060	35	EUTT080060	69
EUSV-010090	115	EUTF080060	44	EUTT080080	69
EUSV-010100	115	EUTF080060	111	EUTV000600	143
EUSV-010120	115	EUTF080060	119	EUTV000800	143

CODE	PAGE	CODE	PAGE	CODE	PAGE
EUVC040050	71	EUZE-T0800	98	EUZX-T0500	210
EUVC040060	71	EUZE-T0800	106	EUZX-T0600	210
EUVC040080	71	EUZE-T0800	187	EUZX-T0800	210
EUVC060050	71	EUZE-T0800	191	EUZX-T1000	210
EUVC060060	71	EUZE-T0800	193	EUZX-T1200	210
EUVC060080	71	EUZE-T0800	195	EVIS060804DA	241
EUVC080050	71	EUZE-T0800CN1	251	EVIS060804SA	239
EUVC080060	71	EUZE-T0800CN2	251	EVIS061204DA	241
EUVC080080	71	EUZE-T0800V	151	EVIS061204SA	239
EUVC100050	71	EUZE-T1000	65	EVIS061205DA	241
EUVC100060	71	EUZE-T1000	98	EVIS061205SA	239
EUVC100080	71	EUZE-T1000	106	EVIS061404DA	241
EUVC120050	71	EUZE-T1000	193	EVIS061404SA	239
EUVC120060	71	EUZE-T1000	195	EVIS080804DA	241
EUVC120080	71	EUZE-T1000CN1	251	EVIS080804SA	239
EUZ3-040040	66	EUZE-T1000CN2	251	EVIS081204DA	241
EUZ3-040050	66	EUZE-T1200	65	EVIS081204SA	239
EUZ3-040060	66	EUZE-T1200	98	EVIS081205DA	241
EUZ3-040080	66	EUZE-T1200	106	EVIS081205SA	239
EUZ3-060040	66	EUZE-T1200	187	EVIS081404DA	241
EUZ3-060050	66	EUZE-T1200	191	EVIS081404SA	239
EUZ3-060060	66	EUZE-T1200	193	EVIS120804DA	241
EUZ3-060080	66	EUZE-T1200	195	EVIS120804SA	239
EUZ3-080040	66	EUZE-T1200CN1	251	EVIS121204DA	241
EUZ3-080050	66	EUZE-T1200CN2	251	EVIS121204SA	239
EUZ3-080060	66	EUZE-T1400	65	EVIS121205DA	241
EUZ3-080080	66	EUZE-T1400	98	EVIS121205SA	239
EUZ3-100040	66	EUZE-T1400CN1	251	EVIS121404DA	241
EUZ3-100050	66	EUZE-T1400CN2	251	EVIS121404SA	239
EUZ3-100060	66	EUZE-T1600	65	EVPA-060080	242
EUZ3-100080	66	EUZE-T1600	98	EVPA-060120	242
EUZ3-120040	66	EUZE-T1600	187	EVPA-060140	242
EUZ3-120050	66	EUZE-T1600	191	EVPA-080080	242
EUZ3-120060	66	EUZE-T1600CN1	251	EVPA-080120	242
EUZ3-120080	66	EUZE-T1600CN2	251	EVPA-080140	242
EUZE-A100	65	EUZE-T1800	98	EVPA-120080	242
EUZE-A100	98	EUZU	67	EVPA-120120	242
EUZE-A100	106	EUZV	67	EVPA-120140	242
EUZE-A100	187	EUZX-A100	210	EVZE-T0400A	243
EUZE-A100	191	EUZX-A200	210	EVZE-T0500A	243
EUZE-A100	193	EUZX-L0600	210	EVZE-T0600A	243
EUZE-A100	195	EUZX-L0600M	216	EVZE-T0800A	243
EUZE-A200	65	EUZX-L0600M	216	EVZE-T1200A	243
EUZE-A200	98	EUZX-L0600M	225	FPST-001	169
EUZE-A200	106	EUZX-L0600M	233	KIT IP56	69
EUZE-A200	187	EUZX-L0800	210	KIT IP65/IP66	69
EUZE-A200	191	EUZX-L0800M	216	KIT NEMA 4X	69
EUZE-A200	193	EUZX-L0800M	216	LE123	189
EUZE-A200	195	EUZX-L0800M	225	LE1235	189
EUZE-FA001	252	EUZX-L0800M	233	LE164	189
EUZE-FB001	252	EUZX-L1000	210	LE1645	189
EUZE-FC001	252	EUZX-L1000M	216	LE601	189
EUZE-T0300	65	EUZX-L1000M	216	LE802	189
EUZE-T0300S	106	EUZX-L1000M	225	LE8025	189
EUZE-T0400	65	EUZX-L1000M	233	LEX1-23	231
EUZE-T0400B	193	EUZX-L1200	210	LEX1-64	231
EUZE-T0400C	106	EUZX-L1200M	216	LEX6-01	231
EUZE-T0400C	191	EUZX-L1200M	216	LEX8-02	231
EUZE-T0400C	195	EUZX-L1200M	233	MDCO-TR250	149
EUZE-T0400M	98	EUZX-L1600M	233	MDSO-CU6X6	149
EUZE-T0400T	187	EUZX-P0300P	217	MDST4200	165
EUZE-T0500	65	EUZX-P0300P	225	MDST4300	165
EUZE-T0500B	191	EUZX-P0300PD	217	MDST4400	165
EUZE-T0500M	98	EUZX-P0300PD	225	MDST4500	165
EUZE-T0500T	187	EUZX-P0400	210	MDST4600	165
EUZE-T0600	65	EUZX-P0400M	216	MDST61000	165
EUZE-T0600	98	EUZX-P0400M	233	MDST61200	165
EUZE-T0600	106	EUZX-P0400MD	216	MDST6200	165
EUZE-T0600	187	EUZX-P0400MD	233	MDST6600	165
EUZE-T0600	191	EUZX-P0400P	217	MDST6800	165
EUZE-T0600	193	EUZX-P0400PD	217	MDWA-025	122
EUZE-T0600	195	EUZX-P0500	210	ME123	190
EUZE-T0600CN1	251	EUZX-P0500M	216	ME1235	190
EUZE-T0600CN2	251	EUZX-P0500MD	216	ME164	190
EUZE-T0600V	151	EUZX-P0600	210	ME1645	190
EUZE-T0800	65	EUZX-T0400	210	ME601	190

CODE	PAGE	CODE	PAGE	CODE	PAGE
ME802	190	SDV3112	174	ST61030	159
ME8025	190	SDV3208	174	ST61040	159
MEX1-23	232	SDV3212	174	ST61230	160
MEX1-64	232	SDV3312	174	ST6420	159
MEX6-01	232	SDV4208	174	ST6430	159
MEX8-02	232	SDV4212	174	ST6620	159
PA4-AE235	196	SDV4312	174	ST6630	159
PA4-AE645	196	SDV4412	174	ST6640	159
PA4-AE825	196	SDV5208	174	ST6820	159
PA4-LE015	196	SDV5212	174	ST6825	159
PA4-LE025	196	SDV5312	174	ST6830	159
PA4-LE235	196	SDV6208	174	ST6840	159
PA4-LE645	196	SDV6212	174	ST81030	159
PE123	189	SDV6312	174	ST81040	159
PE1235	189	SDV6412	174	ST81230	160
PE164	189	SDV8208	174	ST8630	163
PE1645	189	SDV8212	174	ST8830	159
PE601	189	SDV8412	174	ST8840	159
PE802	189	SDVE3312	248	STE4420	248
PE8025	189	SDVE5312	248	STE4620	248
PECF1235	196	SDVX4212	176	STE6630	248
PECF1645	196	SDVX5312B	177	STP4320	161
PECF8025	196	SDVX6212	176	STP4420	161
PEX1-23	231	SDWA-005	179	STP4520	161
PEX1-64	231	SDWA-013	179	STP4525	161
PEX6-01	231	SDWA-015	179	STP4620	161
PEX8-02	231	SDWA-020	179	STP4625	161
SBA001	192	SDWA-025	179	STP5720	161
SBA201	192	SDWA-030	179	STP5725	161
SBA601	192	SDWA-035	179	STP61025	161
SBA801	192	SDWA-040	179	STP61030	161
SDF3212	175	SDWC-010	107	STP61230	161
SDF3312	175	SDWC-010	170	STP6420	161
SDF4212	175	SDWC-010	179	STP6430	161
SDF4312	175	SDWCX-010	225	STP6620	161
SDF4412	175	SDWCX-010EEX	217	STP6630	161
SDF5212	175	SDWCX-010EEX	221	STP6825	161
SDF5312	175	SHPA-16	227	STP6830	161
SDF6212	175	SHPA-22	227	STP81030	161
SDF6312	175	SHPA-28	227	STP81230	161
SDF6412	175	SHWCX-010	227	STPO145	164
SDF8212	175	SHX1-109C	227	STPO146	164
SDF8412	175	SHX1-109F	227	STPO157	164
SDP2208	178	SHX1-169C	227	STPO1610	164
SDP2212	178	SHX1-169F	227	STPO1612	164
SDP2308	178	SHX1-229C	227	STPO164	164
SDP2312	178	SHX1-229F	227	STPO168	164
SDP2408	178	SHX1-289C	227	STPO1810	164
SDP2412	178	SHX1-289F	227	STPO1812	164
SDP2512	178	SPA001	197	STTR1103	153
SDP3312	178	SPA201	197	STTR1106	153
SDP3412	178	SPA601	197	STTR1109	153
SDPA-11	179	SPA801	197	STTR1112	153
SDPA-11	226	ST101030	163	STTR1115	153
SDPA-22	179	ST101230	163	TL123	197
SDPA-22	226	ST10820	163	TL1235	197
SDPA-31	179	ST10830	163	TL164	197
SDPA-32	179	ST2315	159	TL1645	197
SDPA-32	226	ST3315	159	TL601	197
SDPA-33	179	ST3415	159	TL802	197
SDPA-33	226	ST3420	159	TL8025	197
SDPA-42	179	ST3515	159	TLX1-23	232
SDPA-42	226	ST3520	159	TLX1-64	232
SDPA-43	179	ST4315	159	TLX6-01	232
SDPA-44	179	ST4320	159	TLX8-02	232
SDPA-52	179	ST4420	159	TR-01	67
SDPA-53	179	ST4515	159	TT104	167
SDPA-62	179	ST4520	159	TT105	167
SDPA-63	179	ST4525	159	TT106	167
SDPA-64	179	ST4620	159	TT204	167
SDPA-82	179	ST4625	159	TT205	167
SDPA-84	179	ST4640	159	TT206	167
SDV1108	174	ST5520	159	TT208	167
SDV1112	174	ST5720	159	WA050	81
SDV2208	174	ST5725	159	WA060	168
SDV2212	174	ST61025	159	WA060	278

CODE	PAGE	CODE	PAGE	CODE	PAGE
WA106	151	WC2665411	172	WE515	64
WA107	151	WC2665412	172	WE516	64
WA108	151	WC2665413	172	WE517	64
WA115	148	WC2665414	172	WE518	64
WA115LB	148	WC2665415	172	WE519	64
WA116	148	WC2665416	172	WE520	64
WA116LB	148	WC2665417	172	WE522	64
WA117	148	WE001X	224	WE530	64
WA117LB	148	WE010	167	WE532	64
WA118	148	WE010	198	WE540	64
WA118LB	148	WE020	167	WE542	64
WA119	148	WE021	198	WE550	64
WA119LB	148	WE030	167	WE552	64
WA120	148	WE030	198	WE560	64
WA120LB	148	WE040	167	WE562	64
WA121	148	WE040	198	WE570	64
WA121LB	148	WE050	167	WE572	64
WA122	148	WE050	198	W1100	85
WA122LB	148	WE060	167	W1100	99
WA123	148	WE060	198	W1100M	99
WA123LB	148	WE070	167	W1100ST	169
WA124	148	WE070	198	W1105	85
WA124LB	148	WE080	167	W1107	85
WA125	148	WE080	198	W1250	302
WA125LB	148	WE160	166	W1255	302
WA126	148	WE160	167	W1260	302
WA126LB	148	WE160	198	W1265	302
WA218	75	WE165	166	W1270	302
WA250B	299	WE170	166	W1271	302
WA250VB	299	WE170	167	W1273	302
WA255B	299	WE170	198	W1274	302
WA385	82	WE180	167	W1277	303
WA-400	197	WE180	198	W1279	303
WA-410	197	WE190	167	W1280	304
WA-430	197	WE190	198	W1282	305
WA-440	197	WE200	166	W1284	305
WA-450	197	WE200	167	W1286	306
WA630	150	WE200	198	W1290	304
WA977	130	WE209	198	W17035	82
WA978	130	WE210	166	WICE10040CW	286
WA980	168	WE210	167	WICE5840CW	286
WA981	168	WE210	198	WICE8040CW	286
WA982	168	WE235	166	WICO1423CW	290
WA990B	149	WE240	166	WICO2023CW	290
WC001	168	WE250	166	WICO4023CW	290
WC001C	168	WE250V	166	WICO4040CW	290
WC002	168	WE251	198	WICO8523CW	290
WC002C	168	WE255	166	WICP1123CW	280
WC003	168	WE255	198	WICP1123CW	283
WC003C	168	WE260	166	WICP1140CW	280
WC004	168	WE260	198	WICP1140CW	283
WC004C	168	WE263	166	WICP1423CW	280
WC005	168	WE263	198	WICP1423CW	284
WC005C	168	WE265	166	WICP1440CW	280
WC016A	170	WE265	198	WICP1440CW	284
WC016B	170	WE268	166	WICP1440CW	288
WC016FL	171	WE268	198	WICP2023CW	280
WC018A	170	WE270	166	WICP2023CW	285
WC018B	170	WE270	198	WICP2040CW	280
WC018FL	171	WE273	166	WICP2040CW	285
WC019A	170	WE273	198	WICP2040CW	289
WC019B	170	WE275	166	WICP2723CW	280
WC019FL	171	WE275	198	WICP2740CW	280
WC020A	170	WE278	166	WICP3311CW	280
WC020B	170	WE278	198	WICP3323CW	280
WC020FL	171	WE285	167	WICP4023CW	280
WC022A	170	WE288	167	WICP4040CW	280
WC022B	170	WE300	166	WICP5023CW	280
WC022FL	171	WE305	166	WICP5023CW	281
WC2665400	171	WE310	166	WICP8523CW	280
WC2665404	171	WE315	166	WICP8523CW	282
WC2665406	172	WE350Z	76	WICP9023CW	280
WC2665407	172	WE351Z	76	WICPU1411CW	280
WC2665408	172	WE352	76	WICPU1411CW	284
WC2665409	172	WE500	64	WICPU1411CW	288
WC2665410	172	WE510	64	WICPU1423CW	280

CODE	PAGE	CODE	PAGE	CODE	PAGE
WICPU1423CW	284	WISW2500230CW	295	WTCS060300	128
WICPU1423CW	288	WISW310115CW	295	WTCS080100	128
WICPU2011CW	280	WISW310230CW	295	WTCS080300	128
WICPU2011CW	285	WISW670230CW	295	WTCVX-005	211
WICPU2023CW	280	WISW87115CW	295	WTCVX-010	211
WICPU2023CW	285	WISW87230CW	295	WTCVX-015	211
WICPU2723CW	280	WLDI-001	151	WTDA-001	82
WICPU4023CW	280	WPAZ-ST1010F	169	WTDV010500	151
WICPU5011CW	280	WPAZ-ST1012F	169	WTEL000400	149
WICPU5011CW	281	WPAZ-ST1212F	169	WTEL000500	149
WICPU5023CW	280	WPAZ-ST23F	169	WTEL000600	149
WICPU5023CW	281	WPAZ-ST33F	169	WTFP-001	61
WICPU8511CW	280	WPAZ-ST35F	169	WTGC-042042	150
WICPU8511CW	282	WPAZ-ST43F	169	WTGC-042080	150
WICPU8523CW	280	WPAZ-ST44F	169	WTGC-068096	150
WICPU8523CW	282	WPAZ-ST45F	169	WTGC-096160	150
WICT1423CW	287	WPAZ-ST46F	169	WTGE-000365	147
WICT1423CW	288	WPAZ-ST55F	169	WTGE-000465	147
WICT1440CW	287	WPAZ-ST57F	169	WTGE-000565	147
WICT2023CW	287	WPAZ-ST610F	169	WTGE-000665	147
WICT2023CW	289	WPAZ-ST612F	169	WTGE-000765	147
WICT2040CW	287	WPAZ-ST64F	169	WTGS-001	74
WICT2723CW	287	WPAZ-ST66F	169	WTGS-001X	211
WICT2740CW	287	WPAZ-ST68F	169	WTGS-003	99
WICT3311CW	287	WPAZ-ST810F	169	WTGS-003	107
WICT3323CW	287	WPAZ-ST812F	169	WTGS-003	217
WICT3823CW	287	WPAZ-ST88F	169	WTGS-004	244
WICT3840CW	287	WT1A010000	150	WTKA-001	59
WICT5240CW	287	WT1A020000	150	WTKB-002	52
WICT6023CW	287	WT1C010000	150	WTKB-002	54
WICT6040CW	287	WT1C020000	150	WTKB-002	59
WICT9023CW	287	WT200CW	300	WTKK00800	146
WICTI1011CW	287	WT200VCW	300	WTLA-030	84
WICTU1023CW	287	WT205CW	300	WTLA-035	84
WICTU1411CW	287	WT205VCW	300	WTLA-050	84
WICTU1423CW	287	WT210CW	300	WTLA-060	84
WICTU3823CW	287	WT215CW	300	WTLA-065	84
WICTU5011CW	287	WT220CW	300	WTLA-070	84
WICTU5023CW	287	WT225CW	300	WTMK150800	244
WIDC-1023CW	293	WT230CW	300	WTMK241200	244
WIDC-1423CW	293	WT290B	297	WTMK291400	244
WIDC-2040CW	293	WT290VB	297	WTMK331600	146
WIDC-3040CW	293	WT300B	297	WTMK381800	146
WIEM-006	298	WT300VB	297	WTMK422000	146
WIEM-006V	298	WT305B	297	WTMK472200	146
WIEM-011	298	WT305VB	297	WTMS001	139
WIEM-011V	298	WT308B	297	WTOM-001200	53
WIEM-016	298	WT308VB	297	WTOM-001200	54
WIEM-016V	298	WT310B	297	WTOM-001200	55
WIPX-44	80	WT310VB	297	WTOM-001400	53
WIPX-55	80	WT315B	297	WTOM-001400L	57
WIPX-66	80	WT315VB	297	WTPF030024	148
WIRV-010	303	WT320B	296	WTPL-001600	129
WIRV-010V	303	WT329	296	WTPL-001800	129
WIRV-020	303	WT330B	296	WTPL-002000	129
WIRV-020V	303	WT333	296	WTPL-002200	129
WISC1623CW	294	WT335B	296	WTPM-001	84
WISC3523CW	294	WT338	296	WTPP-001400	62
WISC5023CW	294	WT340B	296	WTPP-001600	62
WISC8023CW	294	WT343	296	WTPP-001800	62
WISC8523CW	294	WTBP-001	77	WTPP-002000	62
WISCU1611CW	294	WTBPA-060	77	WTPP-002200	62
WISCU3511CW	294	WTBPA-080	77	WTPR-025040R	75
WISCU3523CW	294	WTBPA-120	77	WTPR-025050R	75
WISCU5011CW	294	WTBPB-001	77	WTPR-025060R	75
WISCU5023CW	294	WTBPB-002	77	WTPR-025080R	75
WISCU8011CW	294	WTBPC-001	77	WTPR-025100R	75
WISCU8023CW	294	WTBPK-001	77	WTPR-033010	113
WISW1250230CW	295	WTBPS-001	77	WTPR-033010	116
WISW1250400CW	295	WTBPU-001	77	WTPR-033010	121
WISW1750230CW	295	WTCA-001	84	WTPR-033010	123
WISW1750400CW	295	WTCI060100	114	WTPR-033015	113
WISW220115CW	295	WTCI080100	114	WTPR-033015	116
WISW220115CWH	295	WTCS040100	128	WTPR-033015	121
WISW220230CW	295	WTCS040300	128	WTPR-033015	123
WISW220230CWH	295	WTCS060100	128	WTPR-033025	113

CODE	PAGE	CODE	PAGE	CODE	PAGE
WTPR-033025	116	WTRP060080	138	WTT0-000400	80
WTPR-033025	121	WTRS000600	138	WTT0-000600	80
WTPR-033025	123	WTRU-001	70	WTT0-000700	80
WTPR-033040	113	WTRU-001	139	WTT0-000800	80
WTPR-033040	116	WTS000400	149	WTT0-001000	80
WTPR-033040	121	WTS000500	149	WTR-000500	144
WTPR-033040	123	WTS0-001	58	WTR-000600	144
WTPR-033050	113	WTSF-001	75	WTR-000800	144
WTPR-033050	116	WTSF-001	244	WTR-001000	144
WTPR-033050	121	WTSF-001CP	112	WTT000500	81
WTPR-033050	123	WTSF-001CP	113	WTT000600	81
WTPR-033060	113	WTSF-001CP	120	WTT000700	81
WTPR-033060	116	WTSF-001CP	121	WTT000800	81
WTPR-033070	121	WTSF-001CP	187	WTT001000	81
WTPR-033070	123	WTSL-002	84	WTVD-001	85
WTPR-033080	113	WTSM-016	83	ZBA001	194
WTPR-033080	116	WTSM-032	83	ZBA201	194
WTPR-050022R	108	WTSM-052	83	ZBA601	194
WTPR-050032R	108	WTSM-082	83	ZBA801	194
WTPR-050040	75	WTSP020200	149	ZBX0-01	229
WTPR-050040	244	WTSQ-001	83	ZBX2-01	229
WTPR050040CP	138	WTSQ-005	83	ZBX6-01	229
WTPR-050040CP	187	WTSS-000600X	211	ZBX8-01	229
WTPR-050040R	75	WTSS-000800X	211		
WTPR-050050	75	WTSS-001	74		
WTPR-050050	244	WTSS-001	116		
WTPR050050CP	138	WTSS-001	211		
WTPR-050050CP	187	WTSS-001000X	211		
WTPR-050050R	75	WTST-000400	82		
WTPR-050060	75	WTST-000600	82		
WTPR-050060	244	WTST-000800	82		
WTPR050060CP	138	WTST-001000	82		
WTPR-050060R	75	WTST-001200	82		
WTPR-050080	75	WTST-001400	82		
WTPR-050080	244	WTST-001600	82		
WTPR050080CP	138	WTSU-001	83		
WTPR-050080R	75	WTTF-000400	82		
WTPR-050100	75	WTTF-000600	82		
WTPR-050100R	75	WTTF-000800	82		
WTPR-050120	75	WTTF-001000	82		
WTPR-050120	244	WTTF-001200	82		
WTPR-050120P	108	WTTF-001400	82		
WTPR-050140	75	WTTF-001600	82		
WTPR-050140	244	WTTG-040050	83		
WTPR-050140P	108	WTTG-040050A	131		
WTPR-050160	75	WTTG-040050B	131		
WTPR-050180	75	WTTG-040100	83		
WTPR-050180CP	112	WTTG-040100A	131		
WTPR-050180CP	113	WTTG-040100B	131		
WTPR-050180CP	120	WTTG-040160	83		
WTPR-050180CP	121	WTTG-060050	83		
WTPR-050200	75	WTTG-060050A	131		
WTPR-050200CP	112	WTTG-060050B	131		
WTPR-050200CP	113	WTTG-060100	83		
WTPR-050200CP	120	WTTG-060100A	131		
WTPR-050200CP	121	WTTG-060100B	131		
WTPR-050220	75	WTTG-060160	83		
WTPS020000	150	WTTG-080050	83		
WTPU000600	138	WTTG-080050A	131		
WTPX-001	70	WTTG-080050B	131		
WTPX-002	70	WTTG-080100	83		
WTPX-005X	211	WTTG-080100A	131		
WTRI000365	147	WTTG-080100B	131		
WTRI000465	147	WTTG-080160	83		
WTRI000500SM	147	WTTG-100050	83		
WTRI000565	147	WTTG-100100	83		
WTRI000665	147	WTTG-100160	83		
WTRI000765	147	WTTG-120050	83		
WTRI020300	146	WTTG-120100	83		
WTRI020400	146	WTTG-120160	83		
WTRI020500	146	WTTG-140050	83		
WTRI020600	146	WTTG-140100	83		
WTRL000600	81	WTTG-140160	83		
WTRL000800	81	WTTG-160050	83		
WTRP060050	138	WTTG-160100	83		
WTRP060060	138	WTTG-160160	83		



innovative
enclosure solutions
for industrial & electronic
applications

KLINKMANN

www.klinkmann.com

Helsinki

tel. +358 9 540 4940
automation@klinkmann.fi

St. Petersburg

tel. +7 812 327 3752
klinkmann@klinkmann.spb.ru

Moscow

tel. +7 495 641 1616
moscow@klinkmann.spb.ru

Yekaterinburg

tel. +7 343 287 19 19
yekaterinburg@klinkmann.spb.ru

Samara

tel. +7 846 273 95 85
samara@klinkmann.spb.ru

Kiev

tel. +38 044 495 33 40
klinkmann@klinkmann.kiev.ua

Riga

tel. +371 6738 1617
klinkmann@klinkmann.lv

Vilnius

tel. +370 5 215 1646
post@klinkmann.lt

Tallinn

tel. +372 668 4500
klinkmann.est@klinkmann.ee

Minsk

tel. +375 17 200 0876
minsk@klinkmann.com